



US00D605286S

(12) **United States Design Patent**
LaBanco et al.

(10) **Patent No.:** **US D605,286 S**
(45) **Date of Patent:** **** Dec. 1, 2009**

(54) **TUBE RETAINER**

2005/0196307 A1 9/2005 Limoges

(75) Inventors: **Sam LaBanco**, Northbrook, IL (US);
Michael Reedy, Chicago, IL (US)

FOREIGN PATENT DOCUMENTS

(73) Assignee: **Cole-Parmer Instrument Company**,
Barrington, IL (US)

EP	0019205	A1	11/1980
EP	0731275	A1	9/1996
EP	0825345	A2	2/1998
EP	0834653	A2	4/1998
EP	0 869 283	A1	10/1998
EP	1048848	A1	11/2000
EP	1291027	A1	3/2003
GB	1 510 976	A	5/1978
WO	2004057190	A1	7/2004

(**) Term: **14 Years**

(21) Appl. No.: **29/276,229**

(22) Filed: **Jan. 19, 2007**

OTHER PUBLICATIONS

(51) **LOC (9) Cl.** **24-02**
(52) **U.S. Cl.** **D24/111**
(58) **Field of Classification Search** D24/108,
D24/111, 112, 128, 129, 130; D23/245,
D23/248, 265; 604/180; 417/474, 477.2
See application file for complete search history.

Watson-Marlow Bredel Pumps, Watson-Marlow 300 Series Pumps, Powerful performance from the great new 323, [on-line], [retrieved on Nov. 17, 2005] Retrieved from Watson-Marlow Website using Internet <http://www.watson-marlow.com/watson-marlow/p-300san.htm> (1 page).
European Patent Office, European Search Report, European Patent Application No. EP08250136, dated Apr. 7, 2008, 6 pages.

(56) **References Cited**

* cited by examiner

U.S. PATENT DOCUMENTS

Primary Examiner—Ian Simmons
Assistant Examiner—Christopher Lee
(74) *Attorney, Agent, or Firm*—Wood, Herron & Evans, LLP

RE27,376	E	5/1972	Pickup	
D229,560	S *	12/1973	Burke et al.	D24/143
4,138,205	A	2/1979	Wallach	
4,193,398	A	3/1980	Refson	
D264,134	S *	4/1982	Xanthopoulos	D24/111
4,540,351	A	9/1985	Olson	
4,558,996	A	12/1985	Becker	
D283,441	S *	4/1986	Vcelka et al.	D24/129
4,631,008	A	12/1986	Stenner	
D289,689	S *	5/1987	Becsi et al.	D24/128
4,813,855	A	3/1989	Leveen et al.	
4,925,376	A	5/1990	Kahler	
4,976,590	A	12/1990	Baldwin	
5,082,429	A	1/1992	Soderquist et al.	
5,388,972	A	2/1995	Calhoun et al.	
5,433,588	A	7/1995	Monk et al.	
5,752,813	A *	5/1998	Tyner et al.	417/477.2
5,964,583	A *	10/1999	Danby	417/474
6,019,582	A	2/2000	Green	
6,494,692	B1	12/2002	Green	
D477,867	S *	7/2003	O'Mahony et al.	D24/108
7,214,038	B2 *	5/2007	Saxer et al.	417/477.2

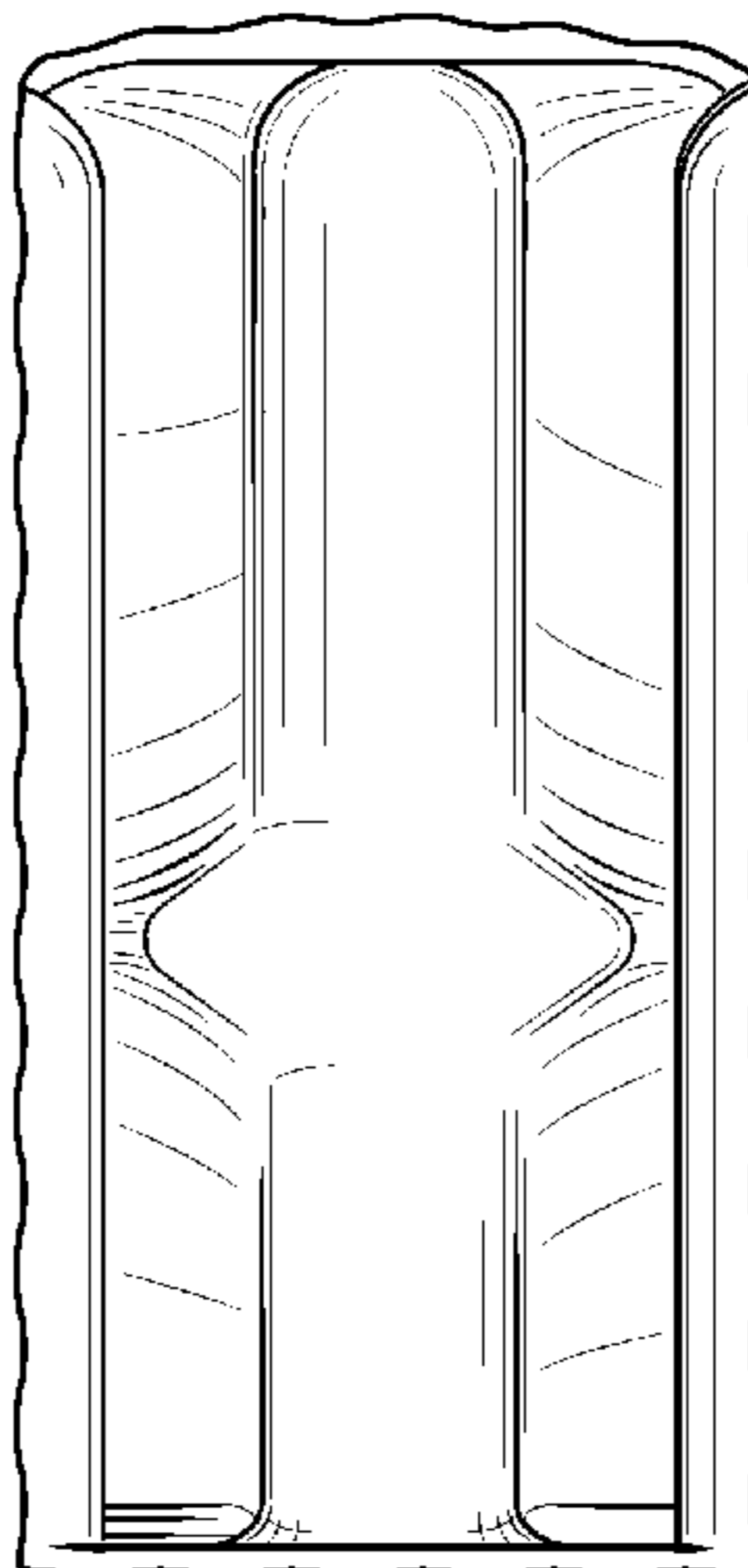
(57) **CLAIM**

The ornamental design for a tube retainer, as shown and described.

DESCRIPTION

FIG. 1 is a perspective view of a tube retainer incorporating the design of our invention;
FIG. 2 is a front elevational view thereof;
FIG. 3 is a left side elevational view thereof, the right side view being a mirror image thereof; and,
FIG. 4 is a top plan view thereof.
The features of the tube retainer shown in phantom lines are not elements of the design of our invention.

1 Claim, 2 Drawing Sheets



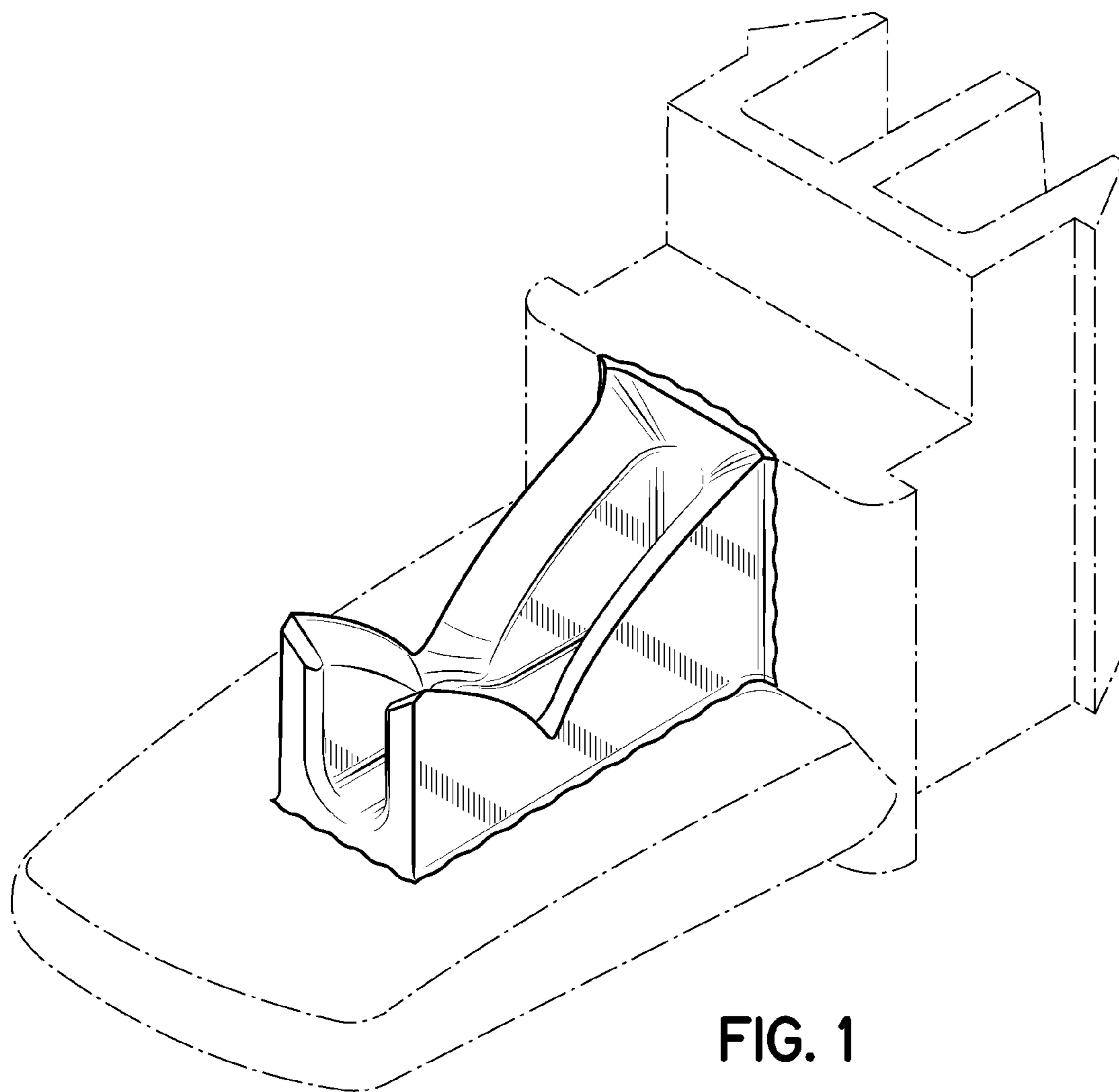


FIG. 1

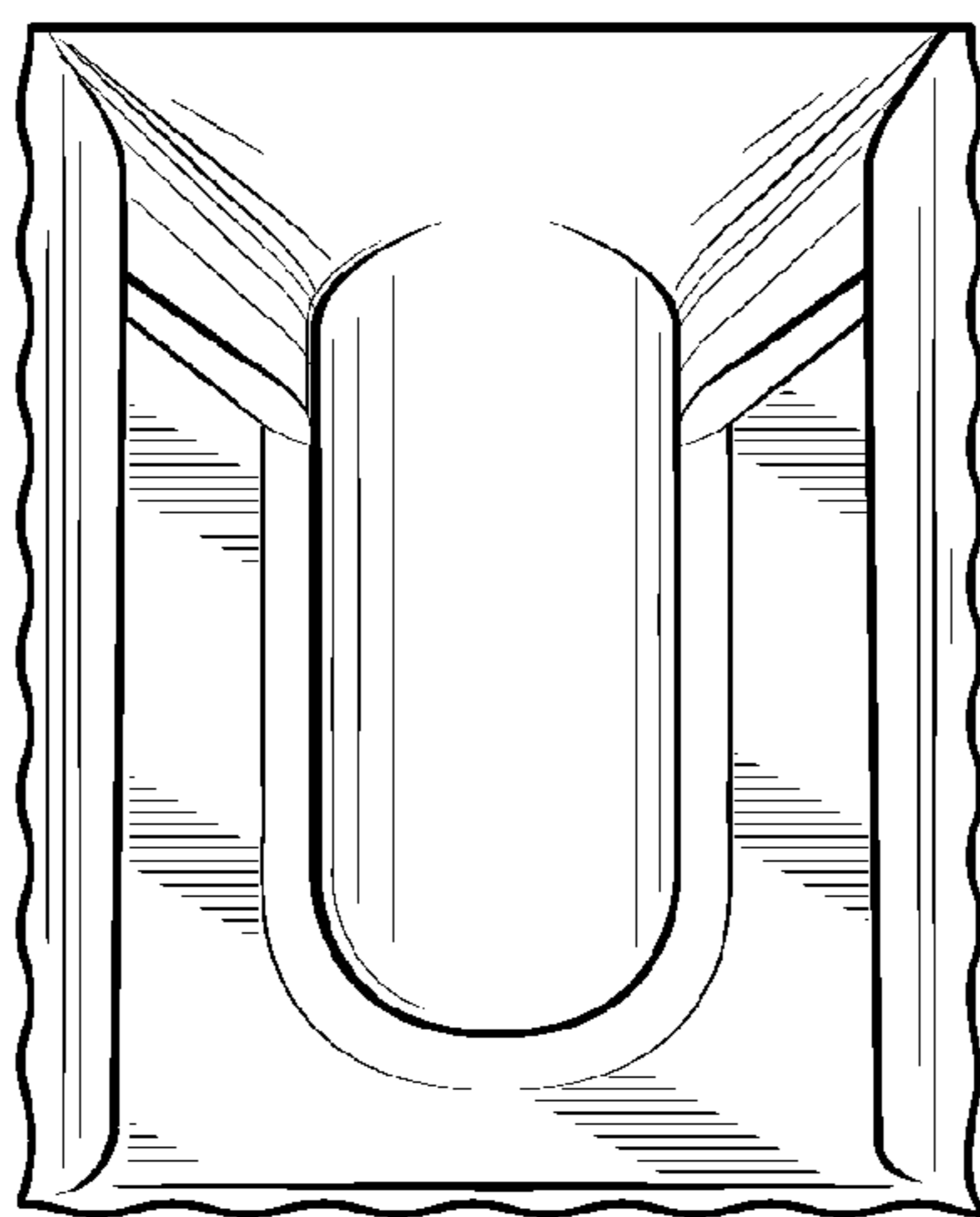


FIG. 2

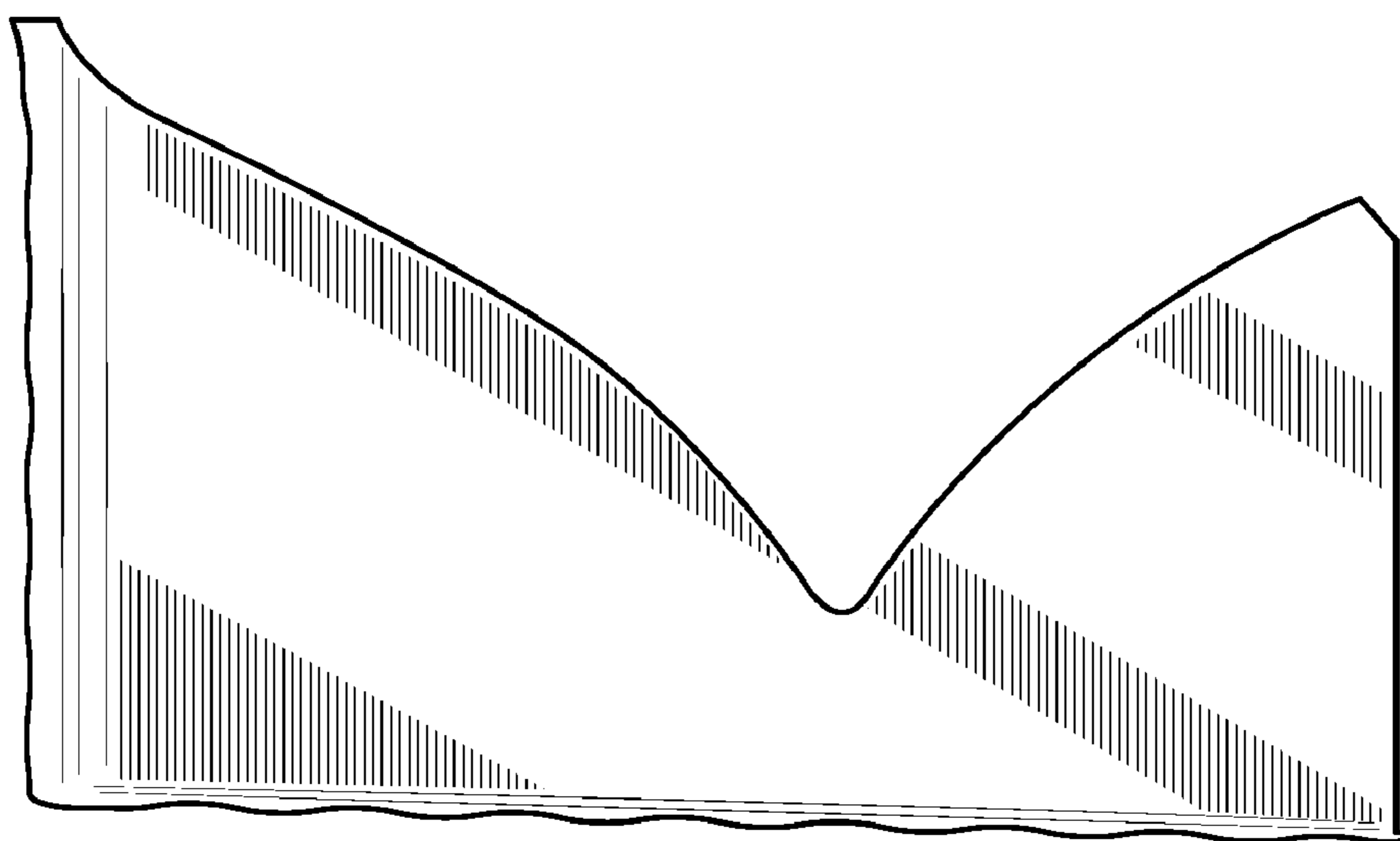


FIG. 3

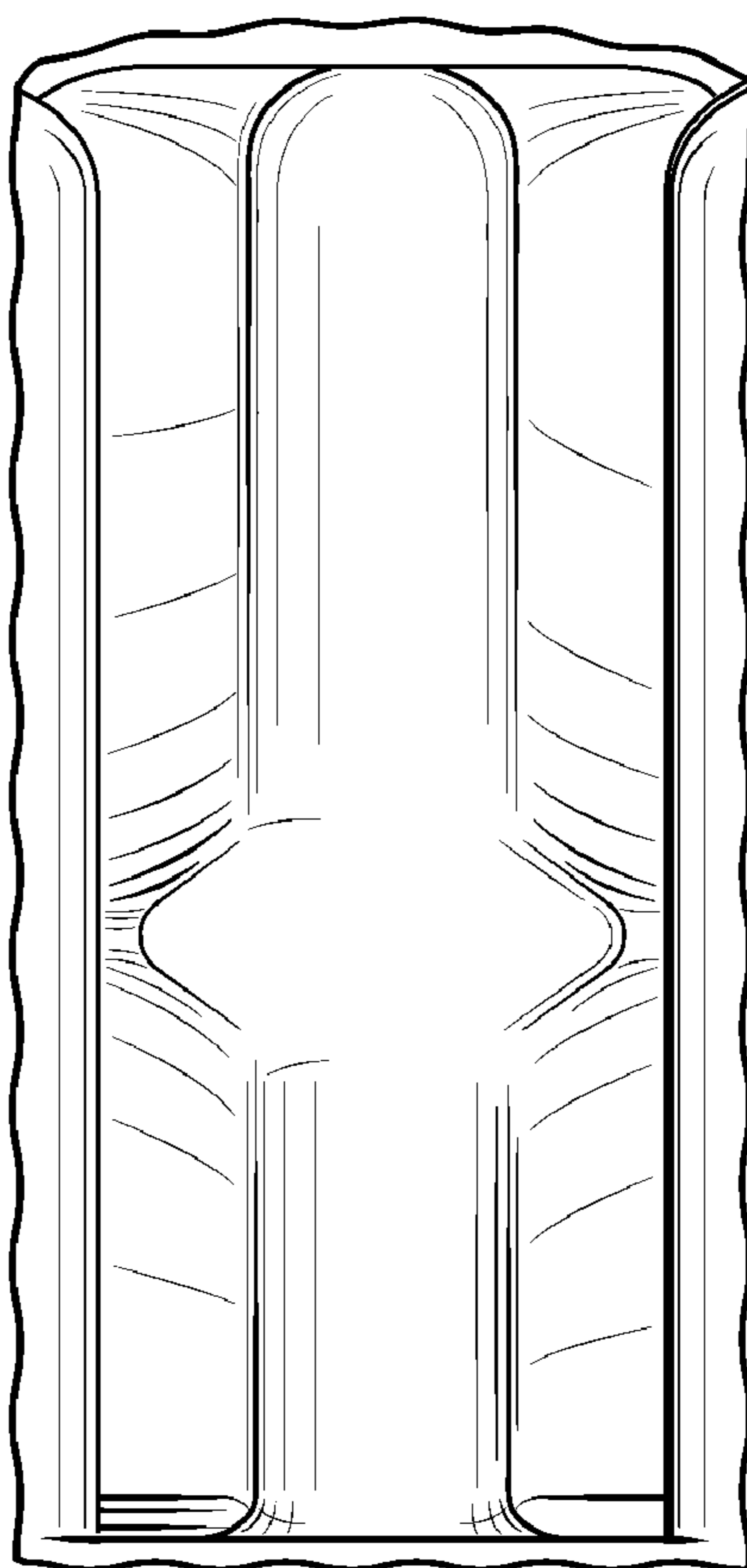


FIG. 4