

US00D605284S

(12) **United States Design Patent**  
**Chestnut**

(10) **Patent No.:** **US D605,284 S**

(45) **Date of Patent:** **\*\* Dec. 1, 2009**

(54) **APPENDAGE-WORN EMERGENCY AIR  
CANISTER WITH SAFETY LEASH**

6,290,111 B1 9/2001 Hedenberg et al.  
D466,996 S \* 12/2002 Godoy ..... D24/110  
D495,796 S \* 9/2004 Bogachev ..... D24/110

(76) **Inventor:** **Mark D. Chestnut**, 2136 Meadowood  
La., Longs, SC (US) 29568

7,156,092 B2 1/2007 Otter  
2002/0148467 A1 10/2002 Bosse et al.  
2002/0153009 A1 10/2002 Chornyj

(\*\*) **Term:** **14 Years**

\* cited by examiner

(21) **Appl. No.:** **29/307,933**

*Primary Examiner*—Ian Simmons

*Assistant Examiner*—Christopher Lee

(22) **Filed:** **May 20, 2008**

(74) *Attorney, Agent, or Firm*—P. Jeff Martin; The  
McGougan Law Firm, LLC

(51) **LOC (9) Cl.** ..... **29-02**

(52) **U.S. Cl.** ..... **D24/110; D24/110.5**

(58) **Field of Classification Search** ..... D24/110,  
D24/110.5; 128/202.14, 204.26, 205.24,  
128/205.22, 205.17, 206.27, 201.27

(57) **CLAIM**

See application file for complete search history.

The ornamental design for an appendage-worn emergency air  
canister with safety leash, as shown and described.

(56) **References Cited**

**DESCRIPTION**

**U.S. PATENT DOCUMENTS**

3,491,752 A	1/1970	Cowley	
D231,571 S *	4/1974	Parker	..... D24/110
4,227,521 A	10/1980	Hart et al.	
4,996,982 A *	3/1991	Williamson	..... 128/205.24
5,209,224 A	5/1993	Nelepka	
D351,207 S	10/1994	Chestnut	
5,503,295 A	4/1996	Kotarba et al.	
D370,256 S *	5/1996	Kurokawa	..... D24/110.5
5,855,307 A	1/1999	Biddick et al.	
5,868,130 A	2/1999	Stier	
D410,330 S *	6/1999	Klein	..... D3/221
6,223,744 B1	5/2001	Garon	

FIG. 1 is a perspective view of an appendage-worn emergency air canister with a safety leash attached showing my new design;

FIG. 2 is a right side view thereof;

FIG. 3 is a left side view thereof;

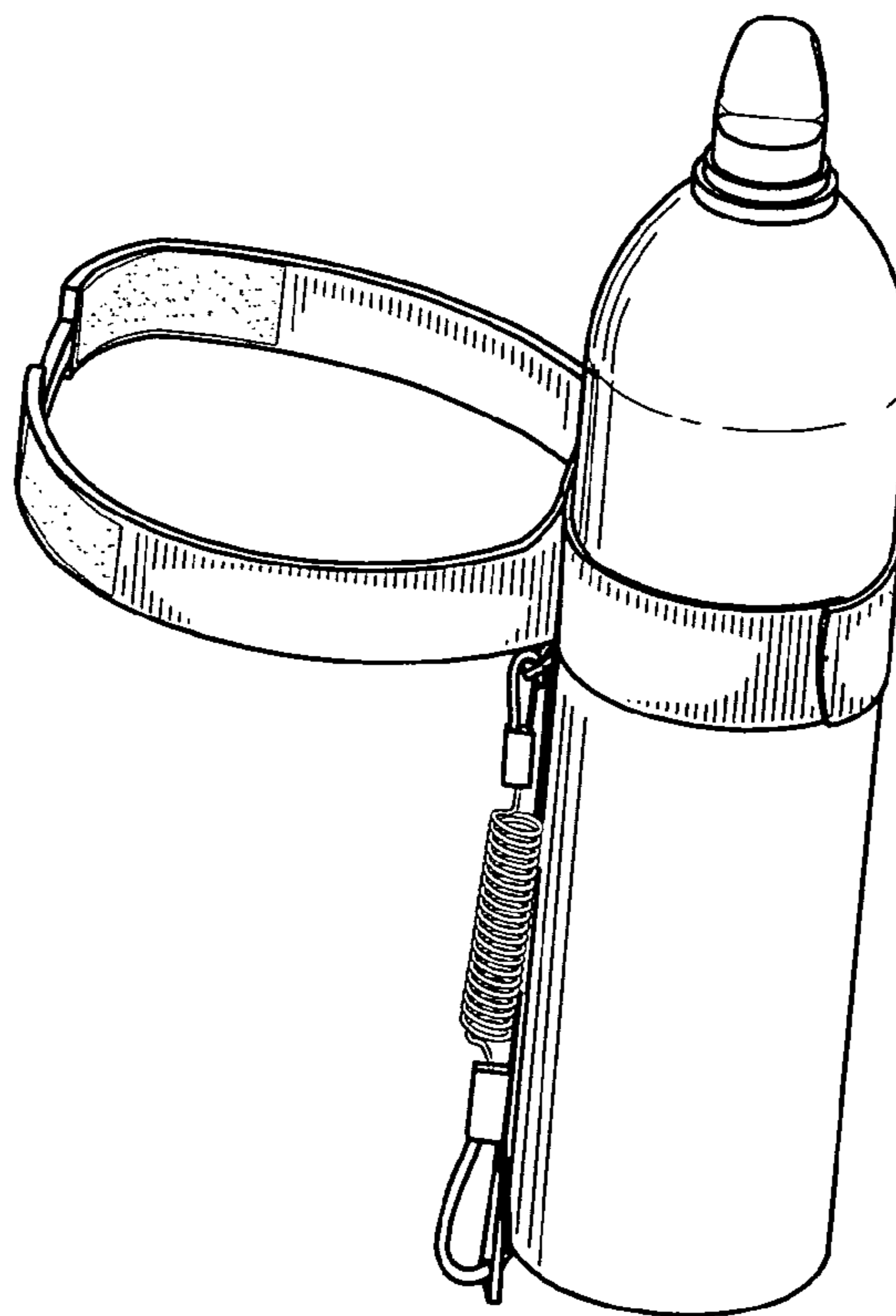
FIG. 4 is a front view thereof;

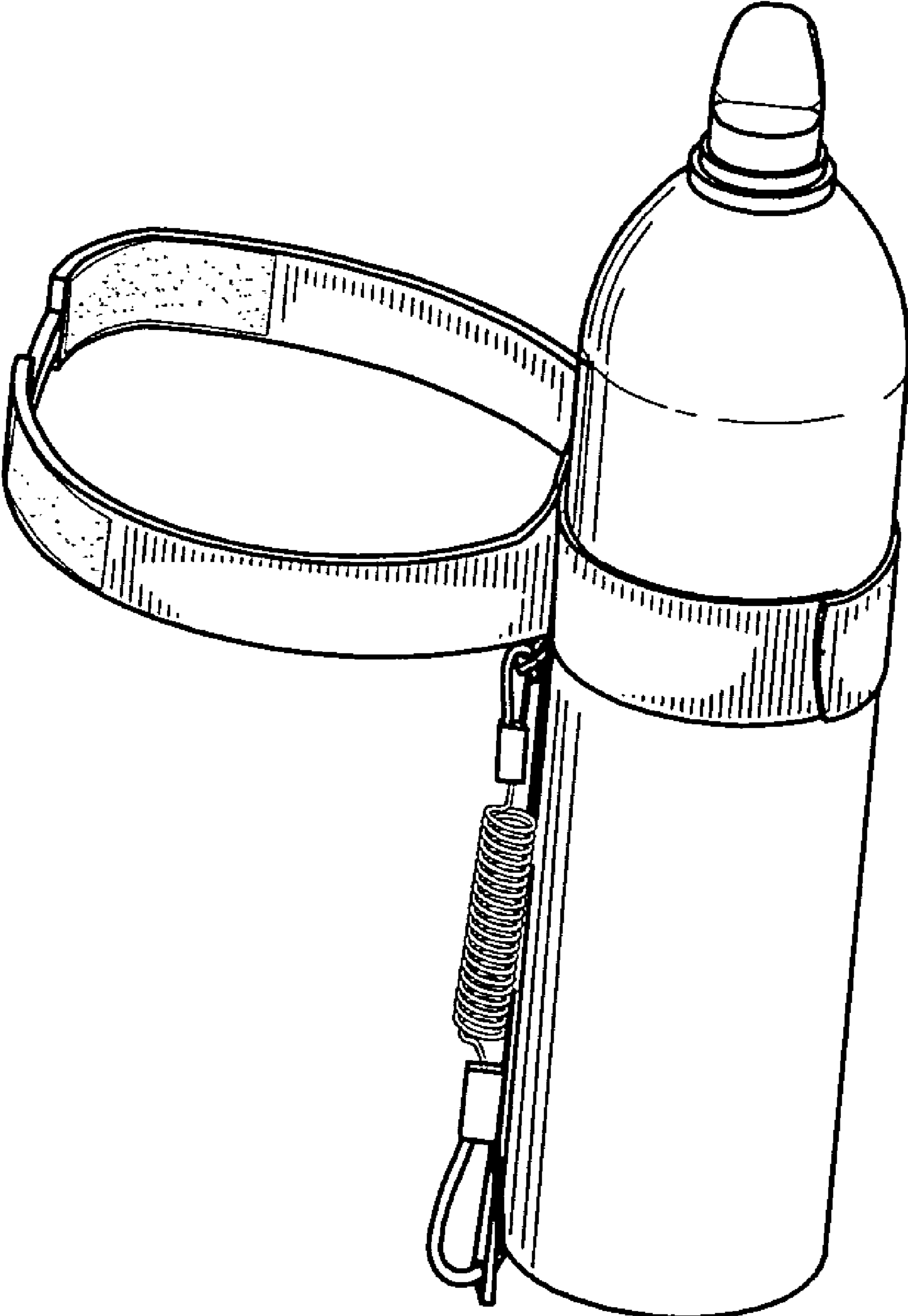
FIG. 5 is a rear view thereof;

FIG. 6 is a top plan view thereof; and,

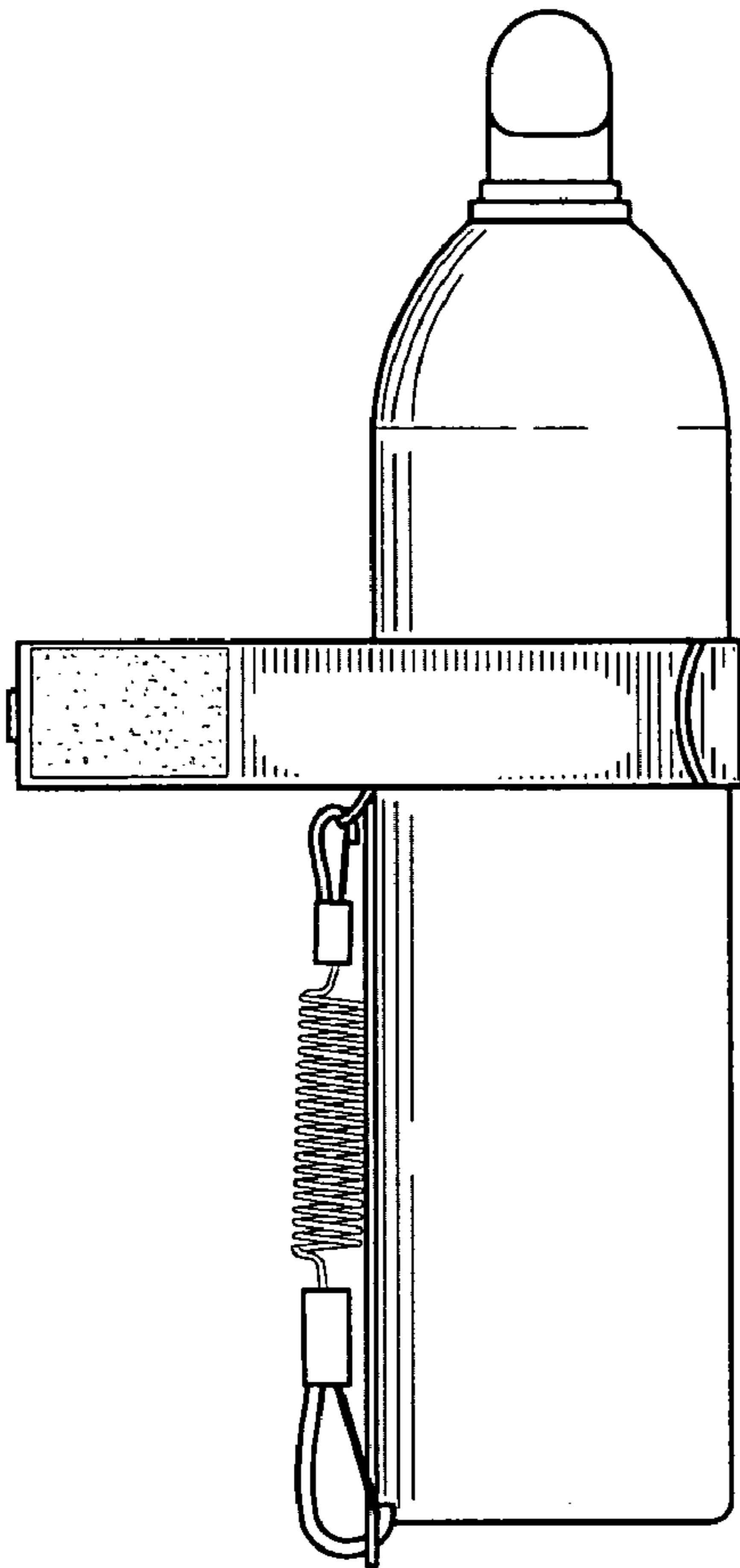
FIG. 7 is a bottom plan view thereof.

**1 Claim, 4 Drawing Sheets**

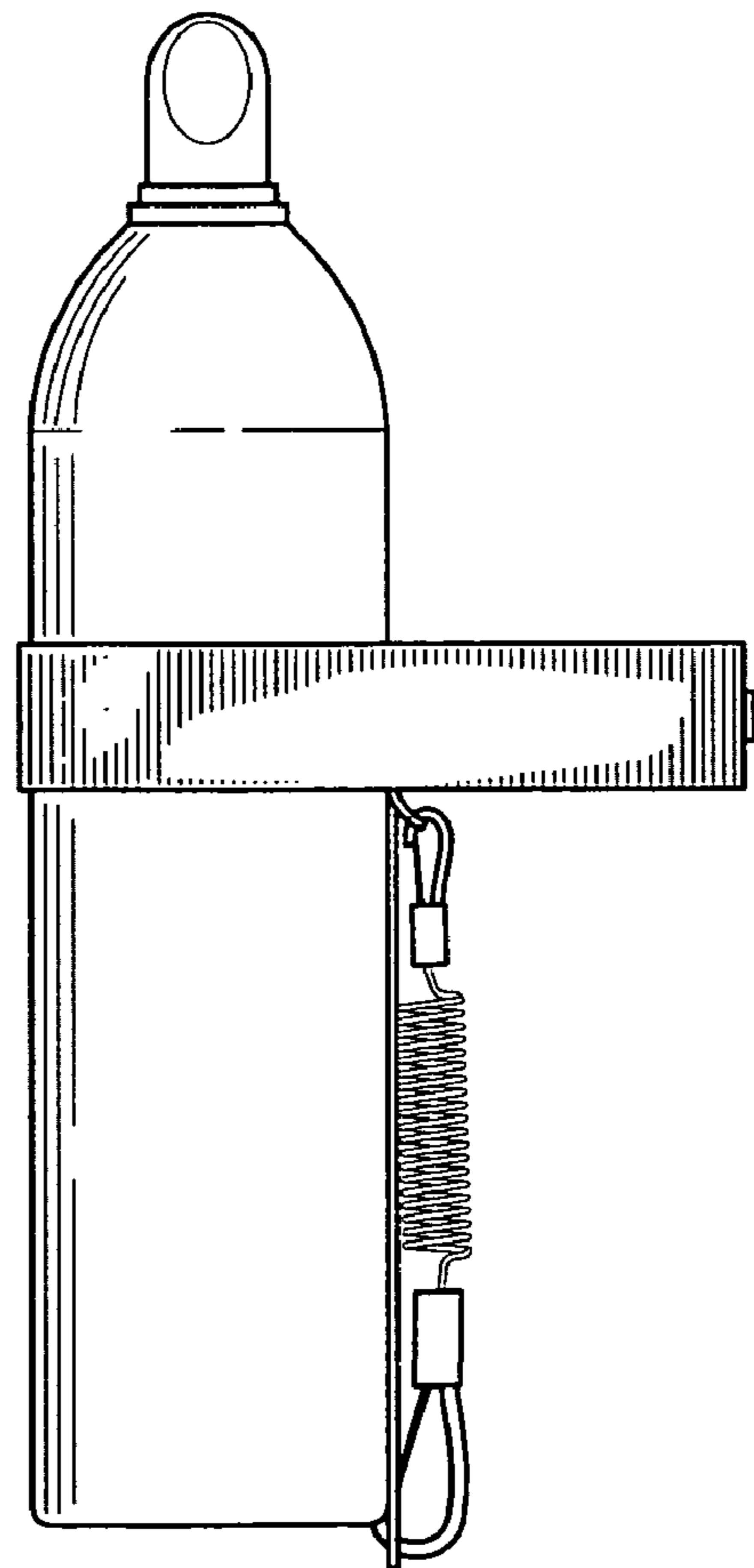




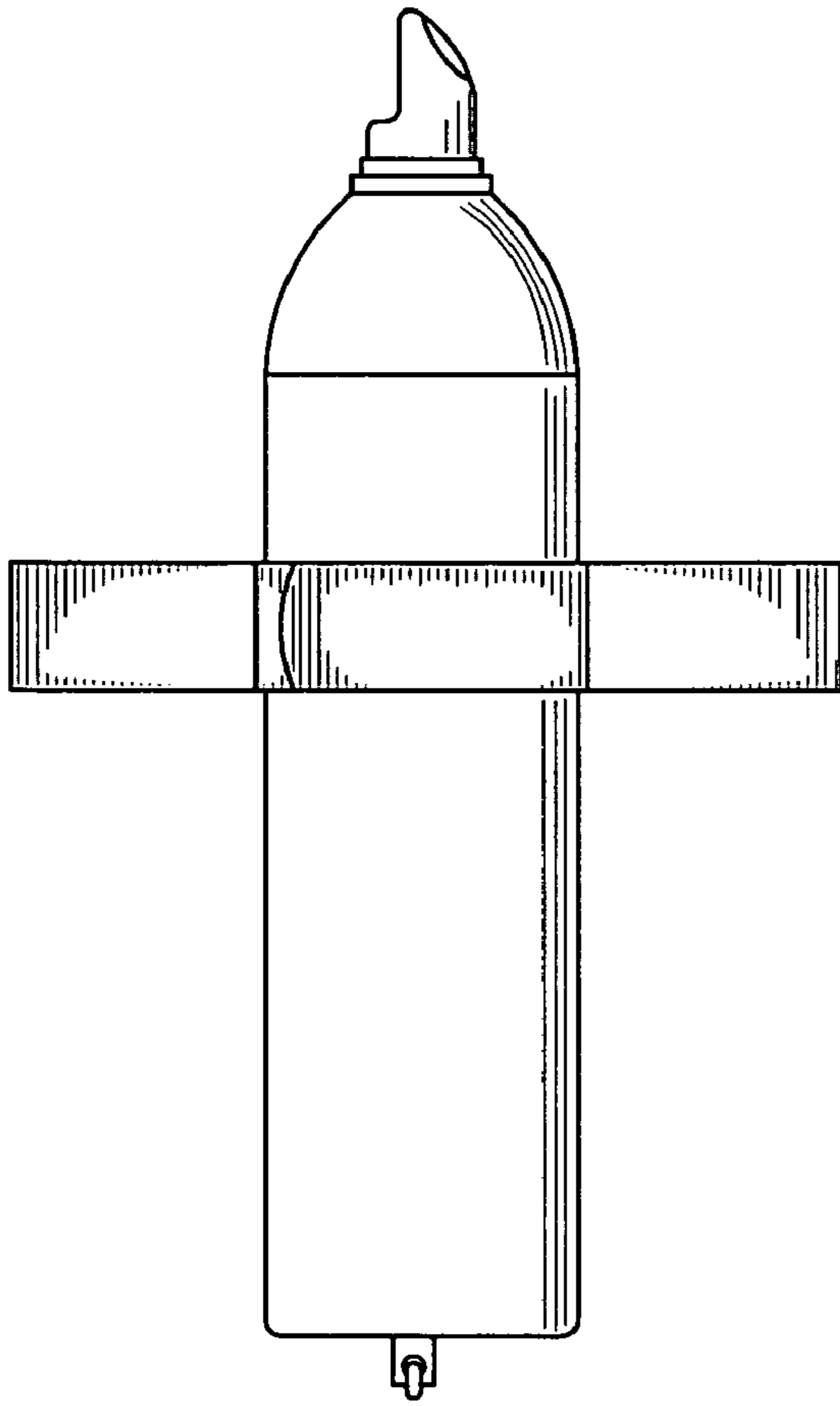
*Fig. 1*



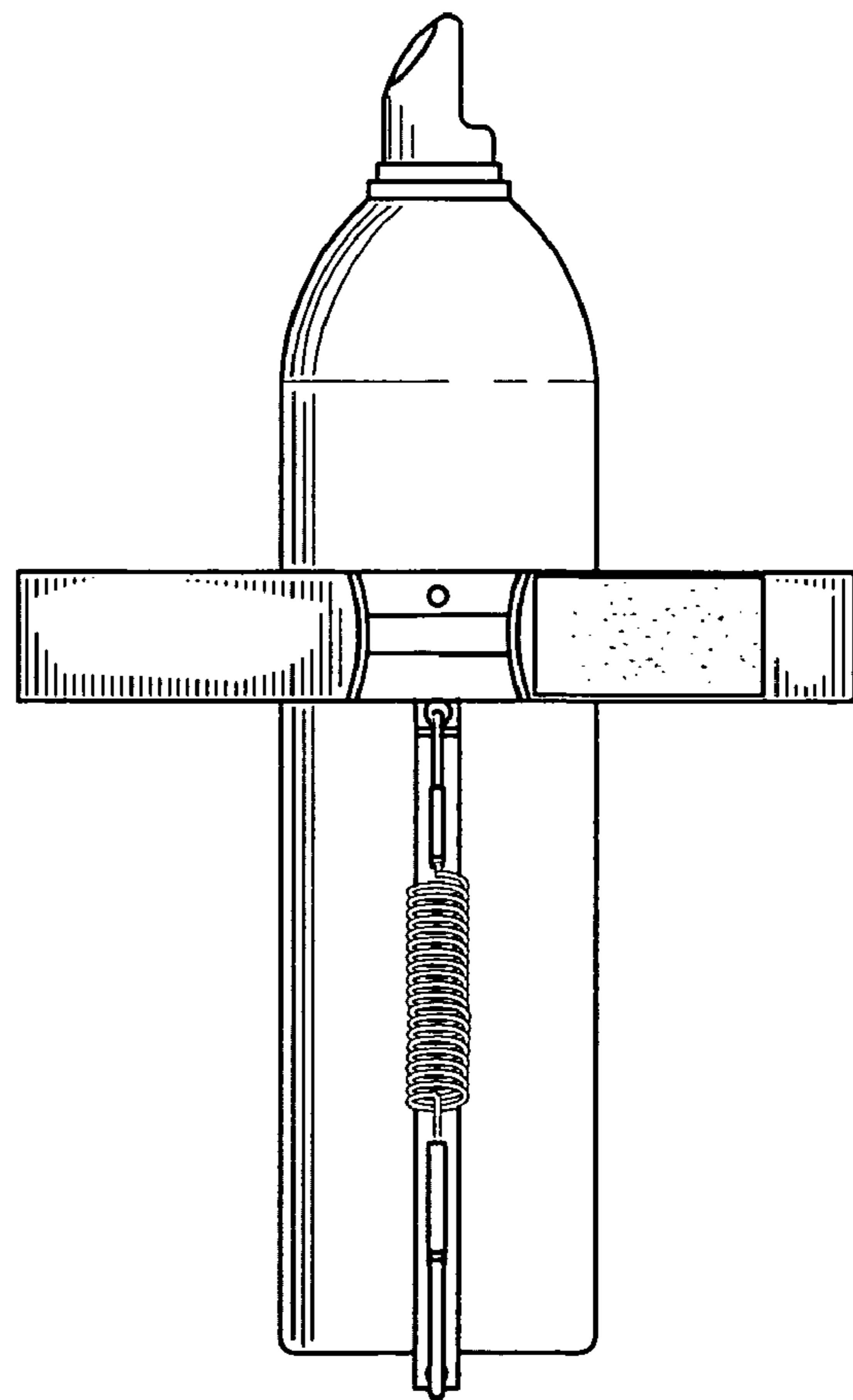
*Fig. 2*



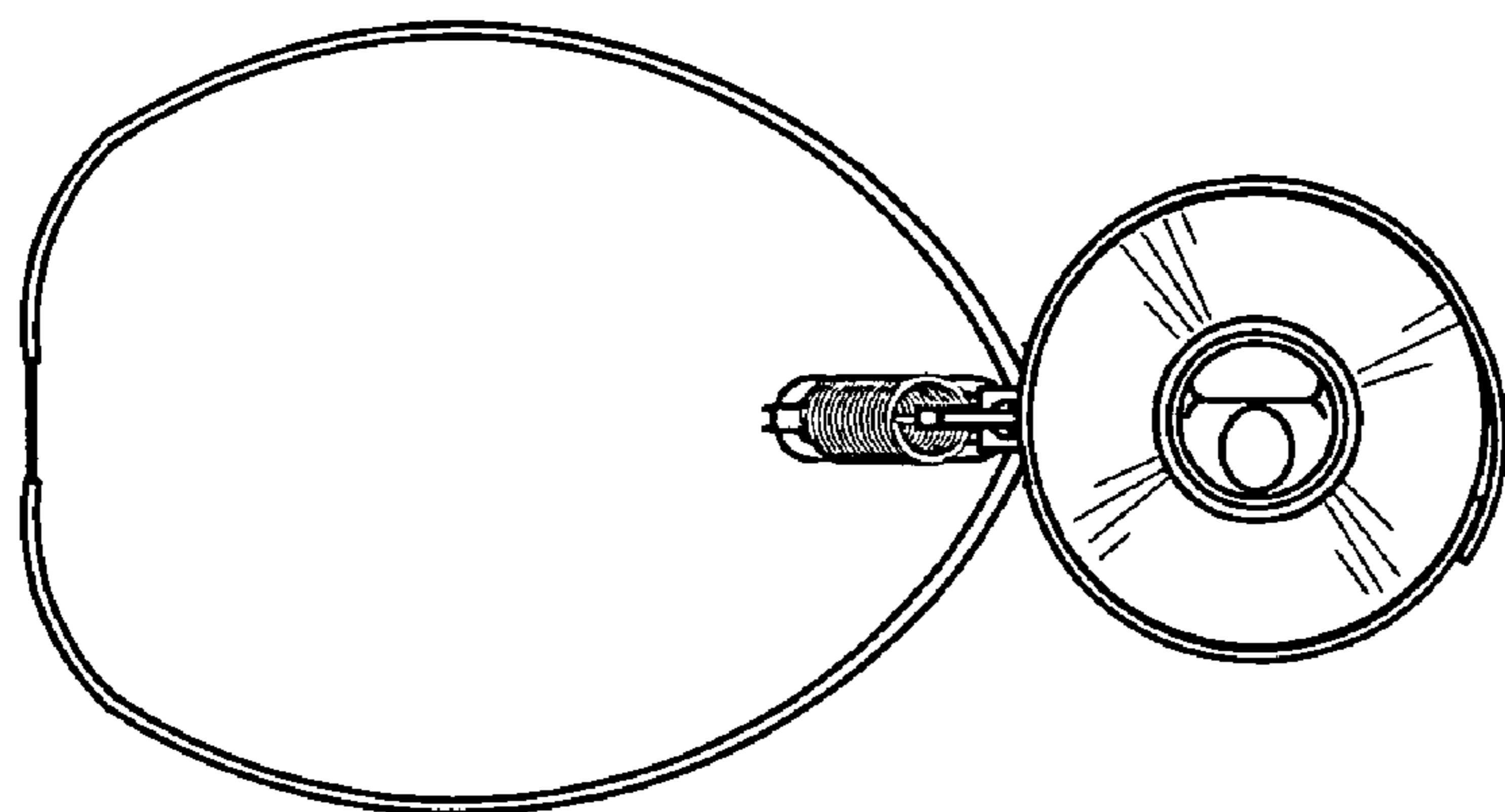
*Fig. 3*



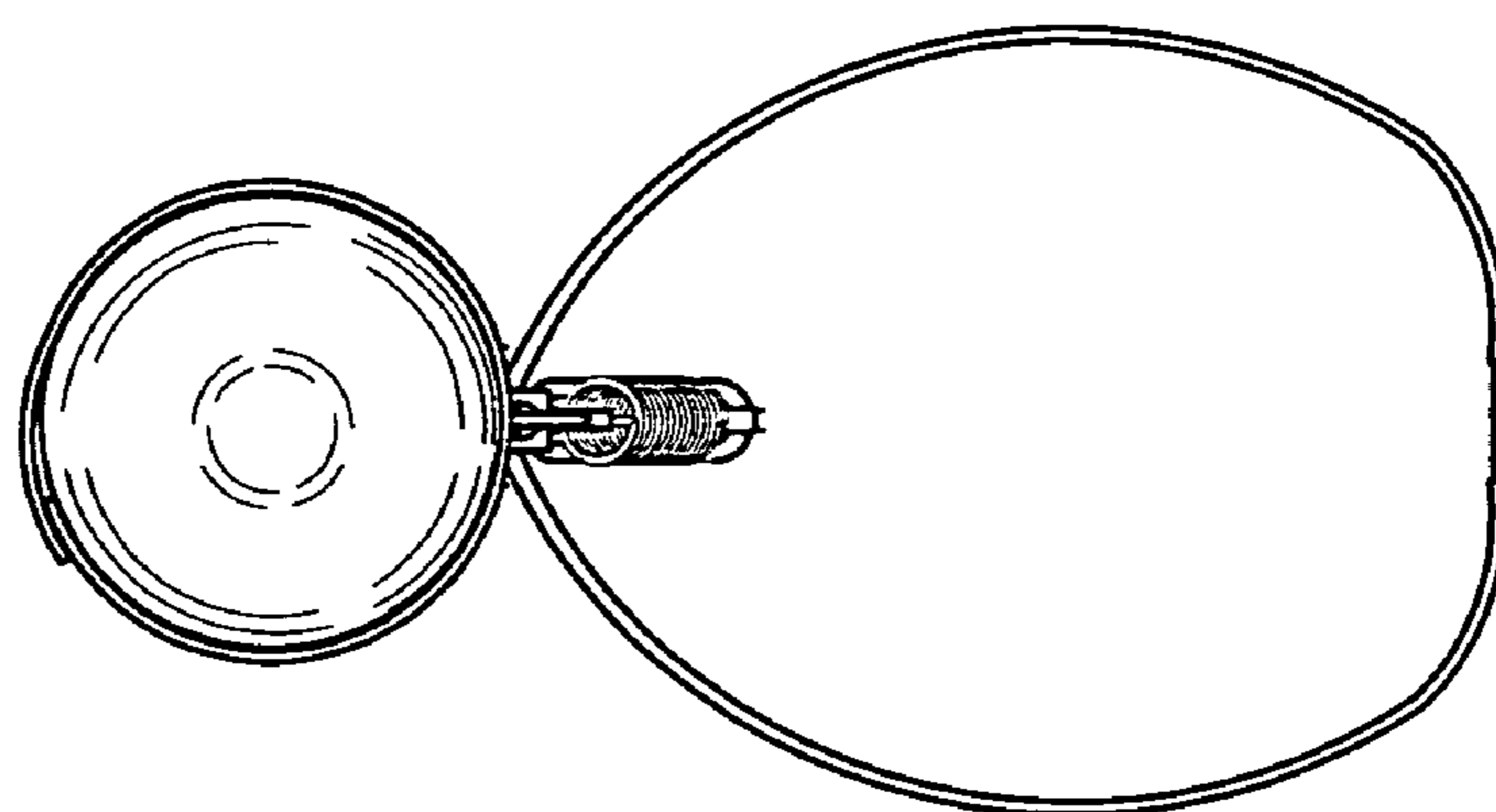
*Fig. 4*



*Fig. 5*



*Fig. 6*



*Fig. 7*