

US00D605281S

(12) **United States Design Patent**
Kern

(10) **Patent No.:** **US D605,281 S**

(45) **Date of Patent:** **** Dec. 1, 2009**

(54) **LOUVERED VENT**

(75) Inventor: **Ralf Kern**, Walldurn-Rippberg (DE)

(73) Assignee: **AURORA Konrad G. Schultz GmbH & Co KG**, Mudau/Odenwald (DE)

(**) Term: **14 Years**

(21) Appl. No.: **29/301,582**

(22) Filed: **Mar. 7, 2008**

(30) **Foreign Application Priority Data**

Nov. 9, 2007 (DE) 407 05 634

(51) **LOC (9) Cl.** **23-04**

(52) **U.S. Cl.** **D23/388**

(58) **Field of Classification Search** D23/392,
D23/393, 389, 388, 385, 370, 351, 354, 386;
454/309, 275-277, 284, 287-291

See application file for complete search history.

(56) **References Cited**

U.S. PATENT DOCUMENTS

3,777,650	A	*	12/1973	Wenig	D23/388
D285,480	S	*	9/1986	Schulz	D23/392
D307,632	S	*	5/1990	Schulz	D23/392
5,232,403	A	*	8/1993	Marotta	454/289
5,733,191	A	*	3/1998	Lam et al.	454/290
D393,708	S	*	4/1998	Assadi	D23/388
D413,665	S	*	9/1999	Hudson	D23/393

D444,872	S	*	7/2001	Webb	D23/393
D452,305	S	*	12/2001	Webb	D23/393
D468,417	S	*	1/2003	Leutz et al.	D23/393
D506,003	S	*	6/2005	Murphy et al.	D23/392
D518,566	S	*	4/2006	Bratton et al.	D23/388
D566,261	S	*	4/2008	Brown	D23/388

* cited by examiner

Primary Examiner—T. Chase Nelson

Assistant Examiner—David G Muller

(74) *Attorney, Agent, or Firm*—Sandra Thompson; John C. Thompson

(57) **CLAIM**

The ornamental design for a louvered vent, as shown and described.

DESCRIPTION

FIG. 1 is a bottom view of a louvered vent showing my new design;

FIG. 2 is a front view thereof, with the louvers shown in the open position;

FIG. 3 is a top view thereof,

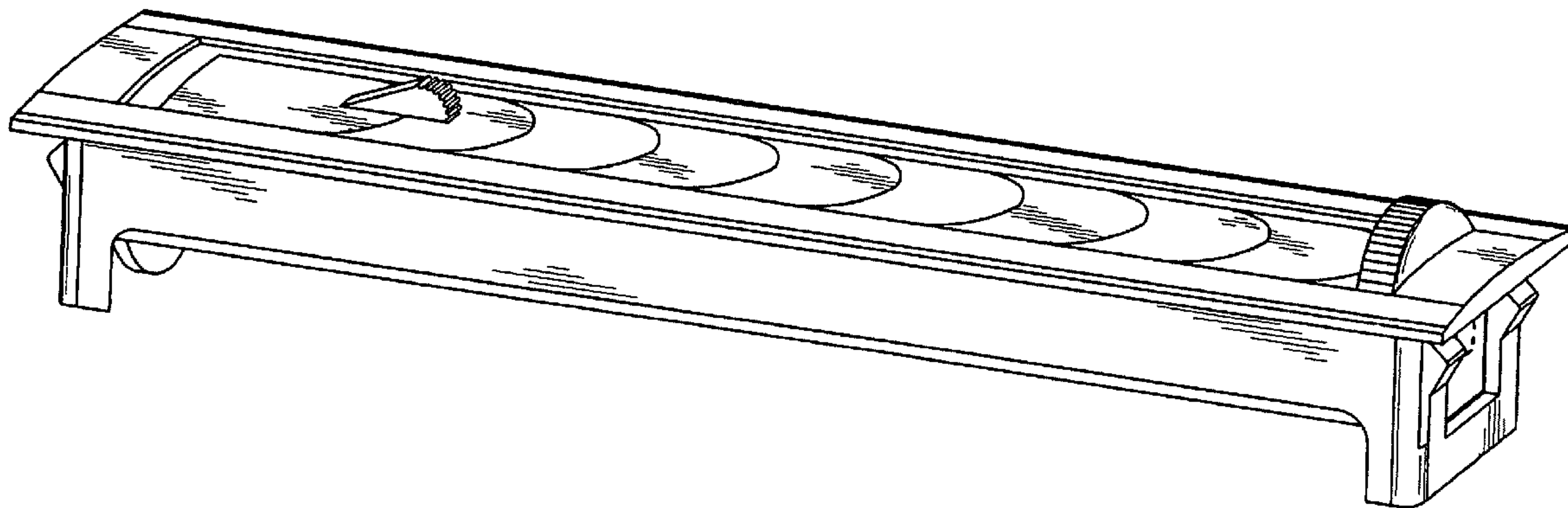
FIG. 4 is a side view thereof, shown at a larger scale;

FIG. 5 is a side view thereof, seen from the opposite end and shown at a larger scale;

FIG. 6 is a perspective view thereof, seen from the front; and,

FIG. 7 is a perspective view thereof, seen from the back.

1 Claim, 5 Drawing Sheets



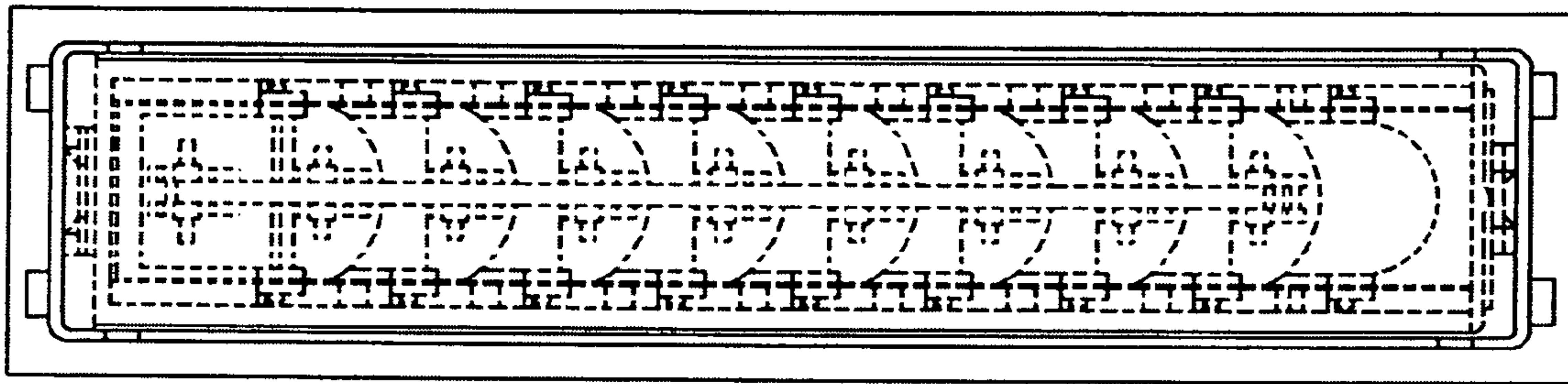


Fig. 1

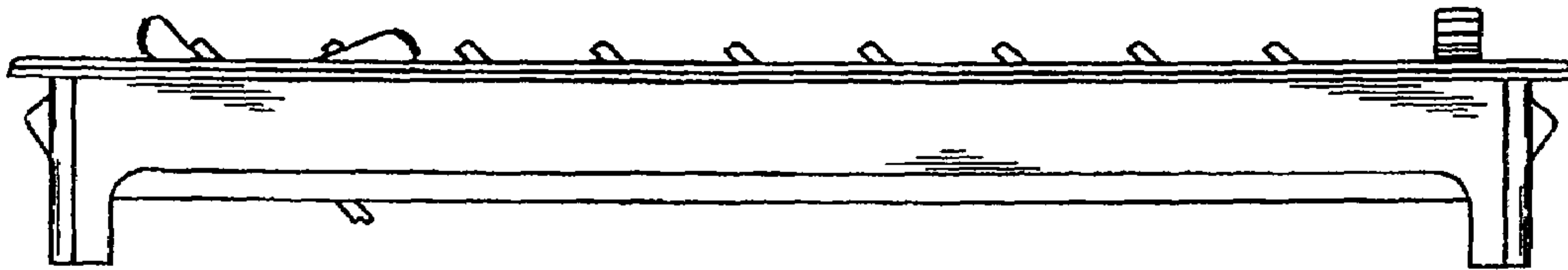


Fig. 2

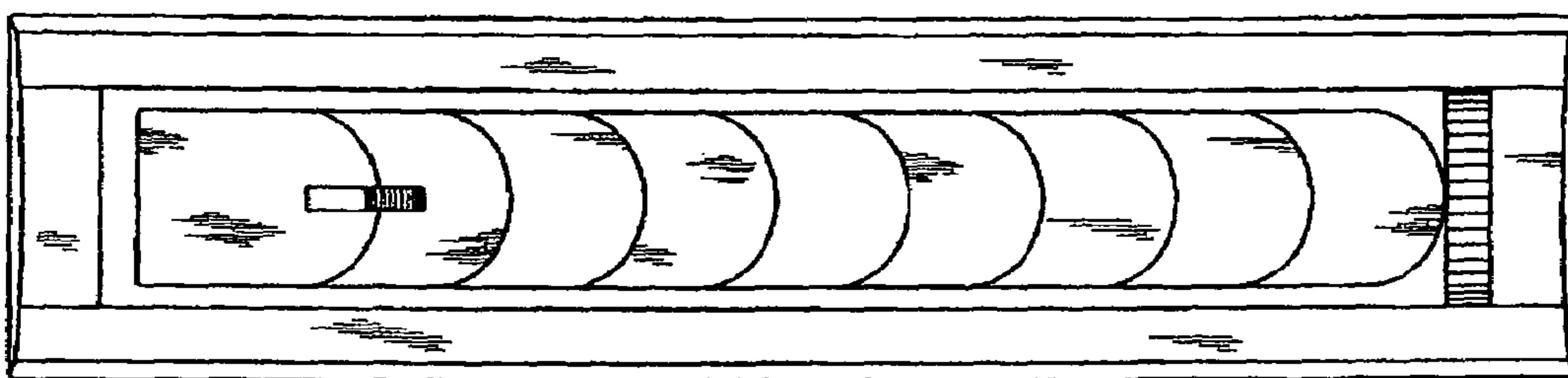


Fig. 3

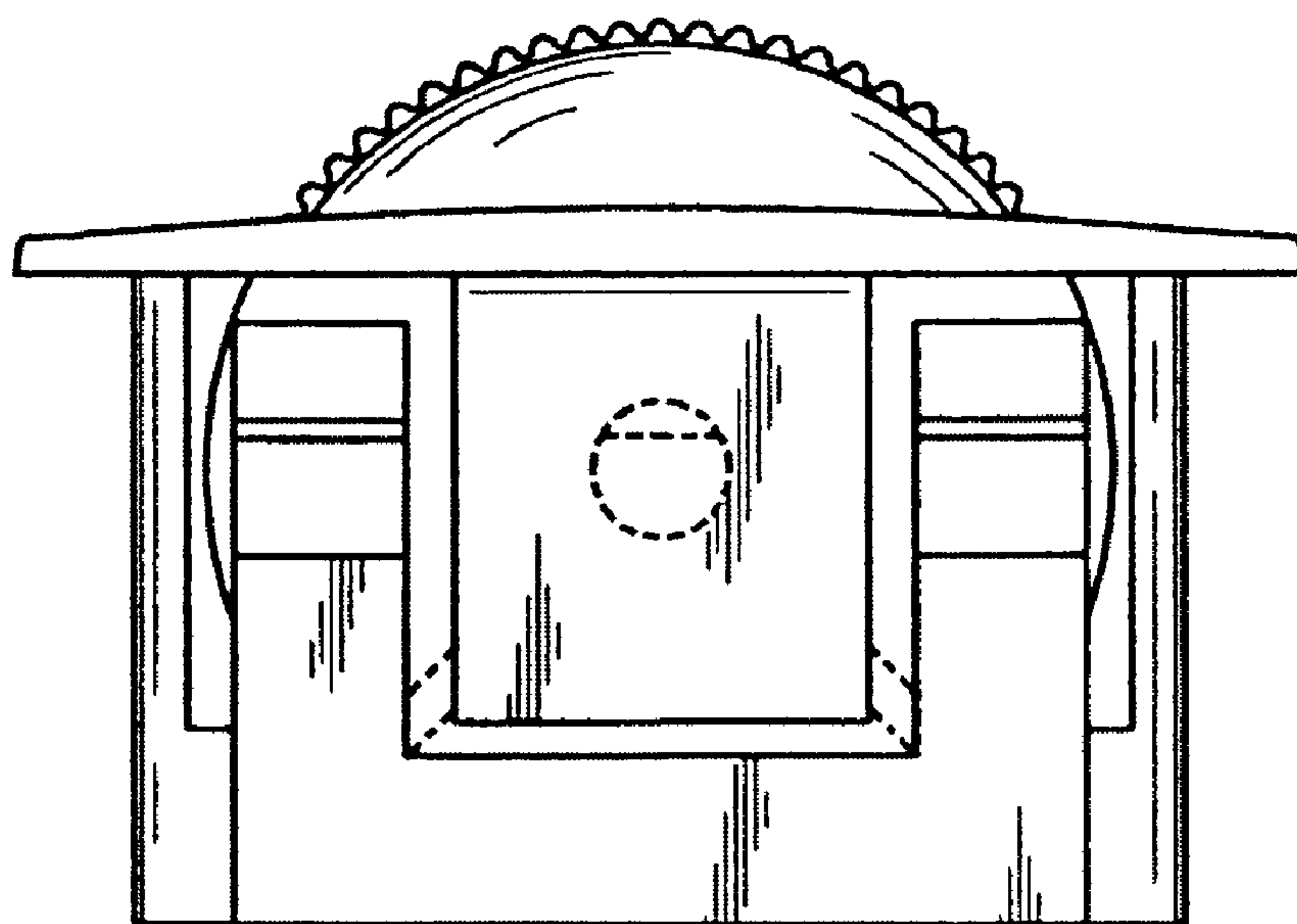


Fig. 4

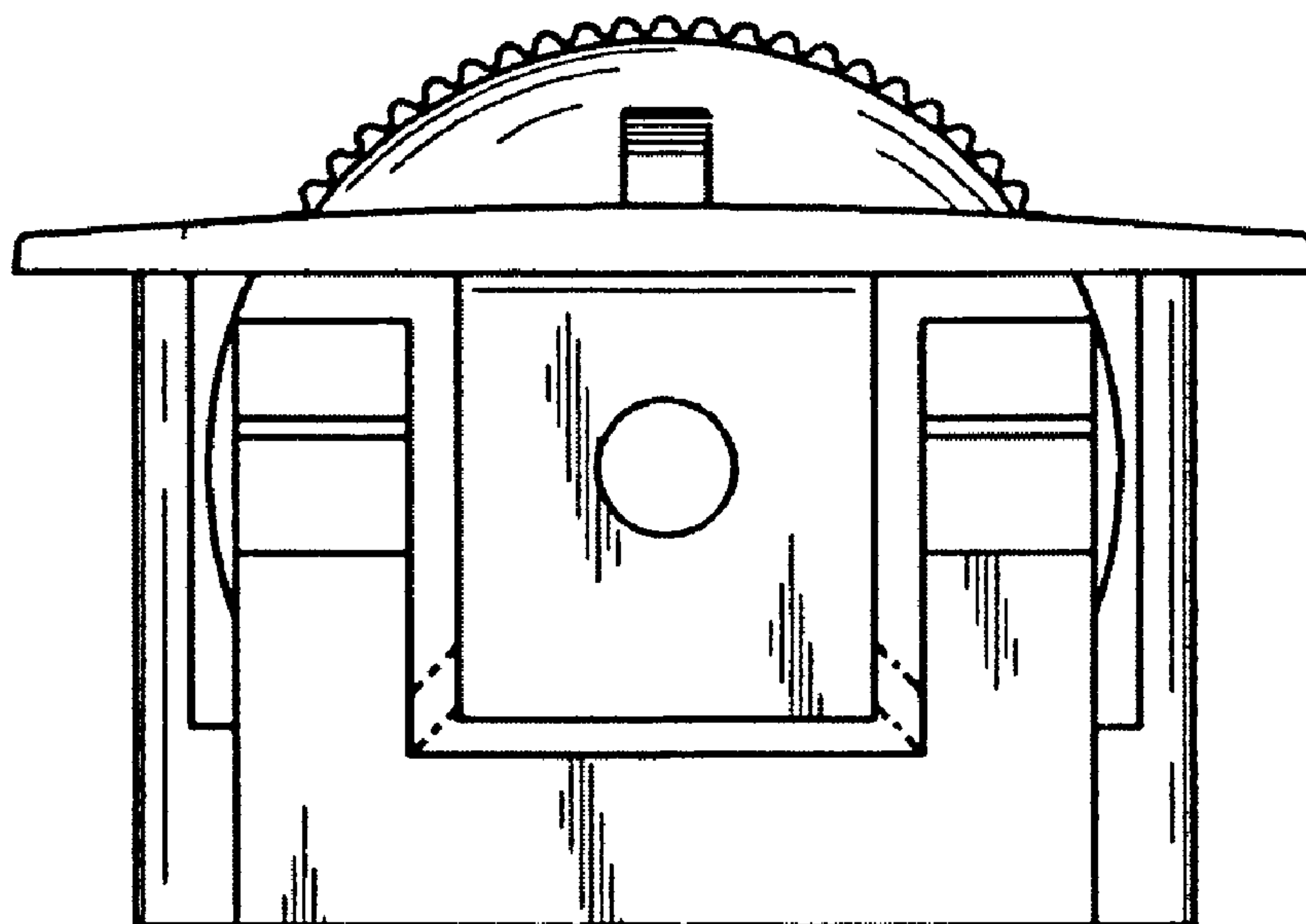


Fig. 5

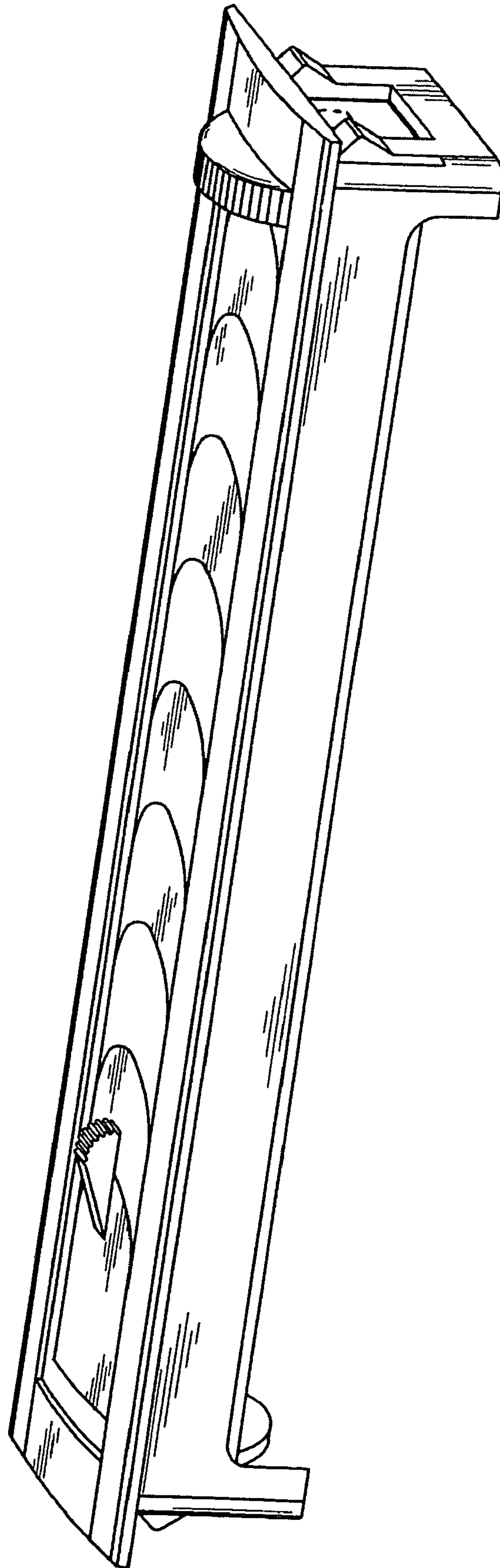


Fig. 6

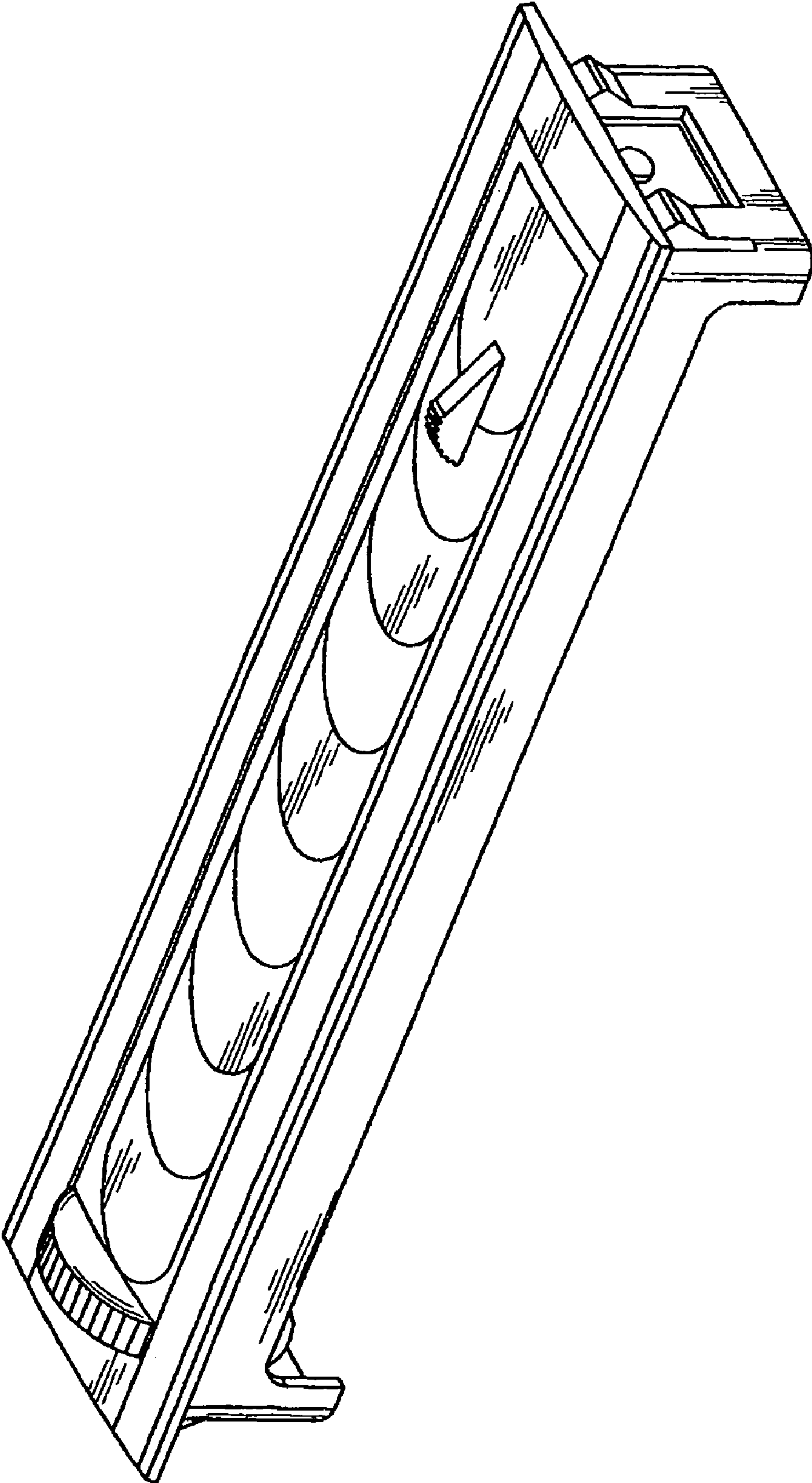


Fig. 7