



US00D605280S

(12) **United States Design Patent**  
**Chen**

(10) **Patent No.:** **US D605,280 S**

(45) **Date of Patent:** **\*\* Dec. 1, 2009**

(54) **CIRCULATOR**

D402,363 S \* 12/1998 Birdsell et al. .... D23/382  
D599,463 S \* 9/2009 Israel et al. .... D23/382

(75) Inventor: **Mike Chen**, Taipei (TW)

\* cited by examiner

(73) Assignee: **Tiger Focus Trading Ltd.**, Apia (WS)

*Primary Examiner*—Lisa P Lichtenstein

(\*\*) Term: **14 Years**

(74) *Attorney, Agent, or Firm*—Bacon & Thomas, PLLC

(21) Appl. No.: **29/311,875**

(57) **CLAIM**

(22) Filed: **Jul. 21, 2009**

The ornamental design for a circulator, as shown and described.

(30) **Foreign Application Priority Data**

**DESCRIPTION**

Feb. 10, 2009 (TW) ..... 098300479

FIG. 1 is a perspective view of a circulator showing my new design;

(51) **LOC (9) Cl.** ..... **23-04**

FIG. 2 is a front elevational view thereof;

(52) **U.S. Cl.** ..... **D23/382**

FIG. 3 is a rear elevational view thereof;

(58) **Field of Classification Search** ..... D23/382,

D23/381, 332, 370, 411, 412; 416/246 R,

416/247 R, 244 R

FIG. 4 is a left side elevational view thereof;

See application file for complete search history.

FIG. 5 is a right side elevational view thereof;

(56) **References Cited**

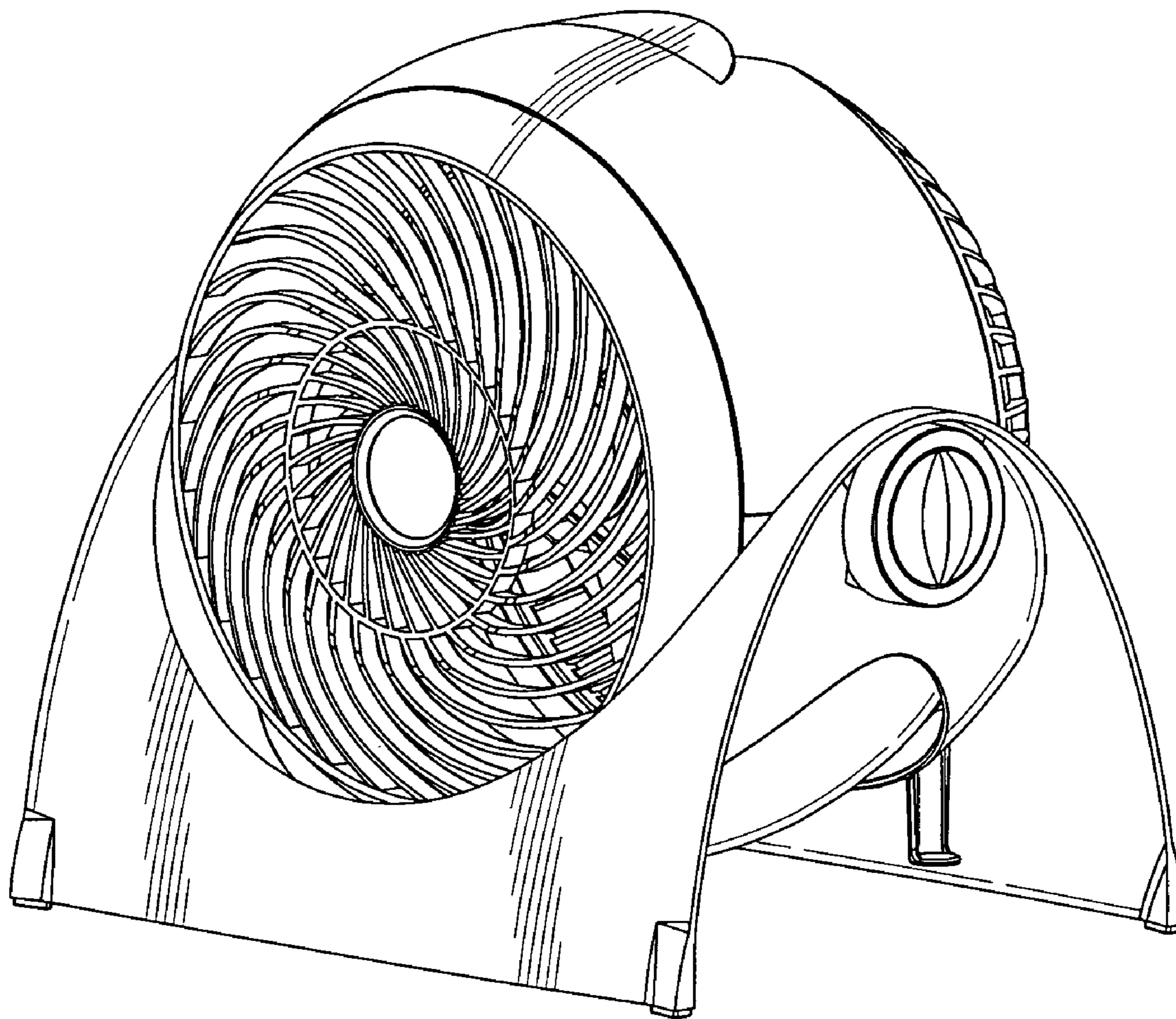
FIG. 6 is a top plan view thereof; and,

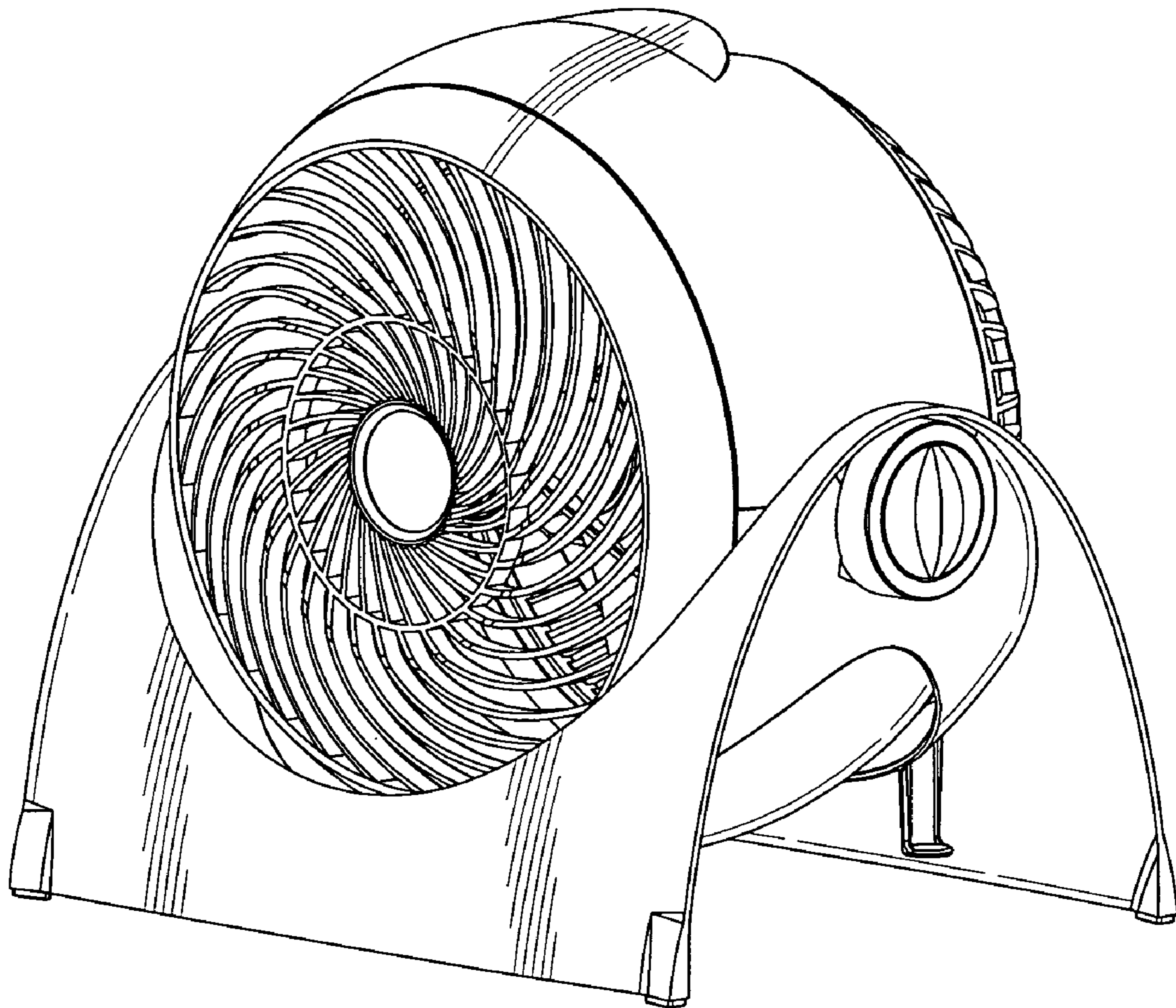
**U.S. PATENT DOCUMENTS**

FIG. 7 is a bottom plan view thereof.

D398,983 S \* 9/1998 Keller et al. .... D23/382

**1 Claim, 4 Drawing Sheets**





*FIG. 1*

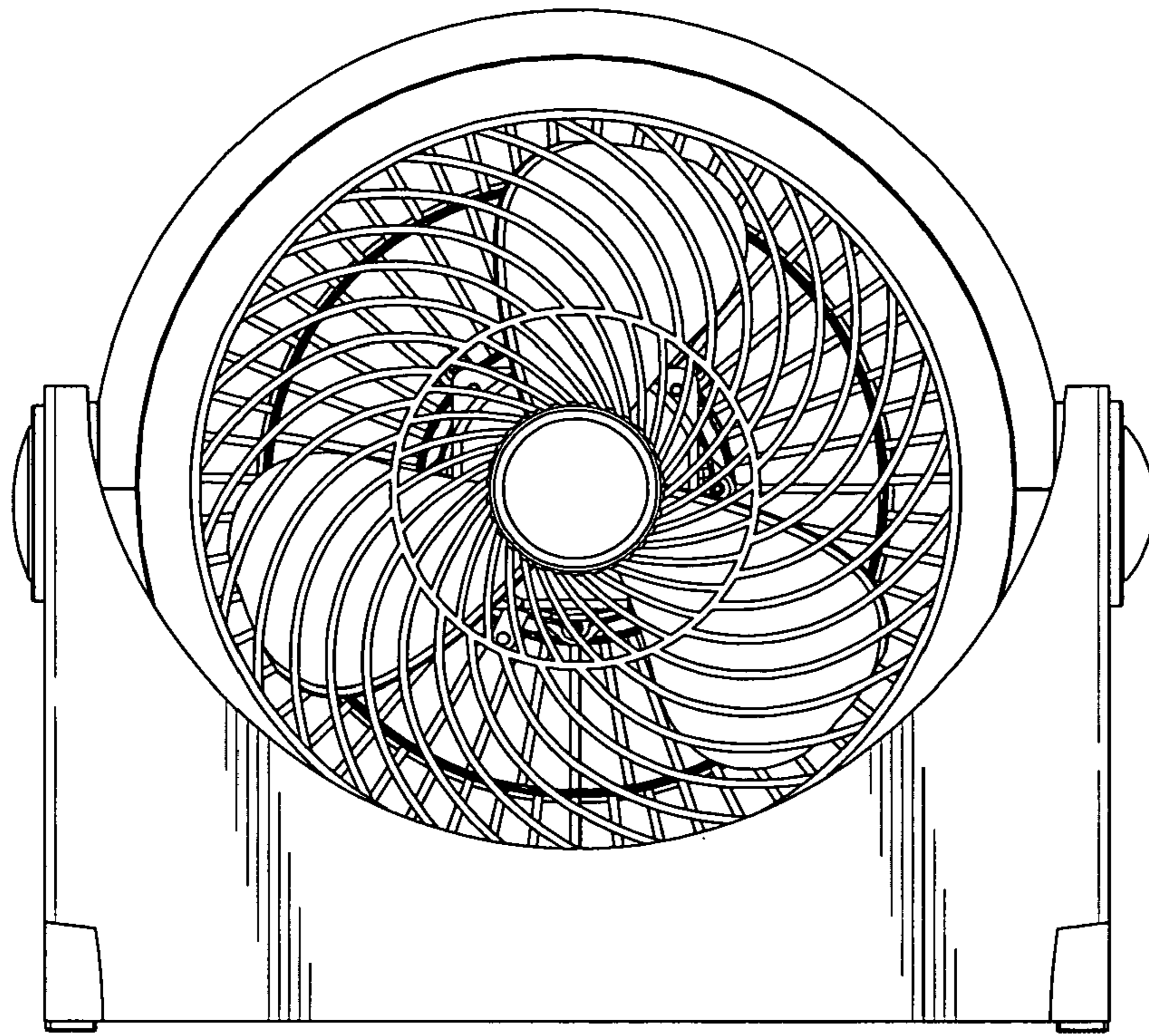


FIG. 2

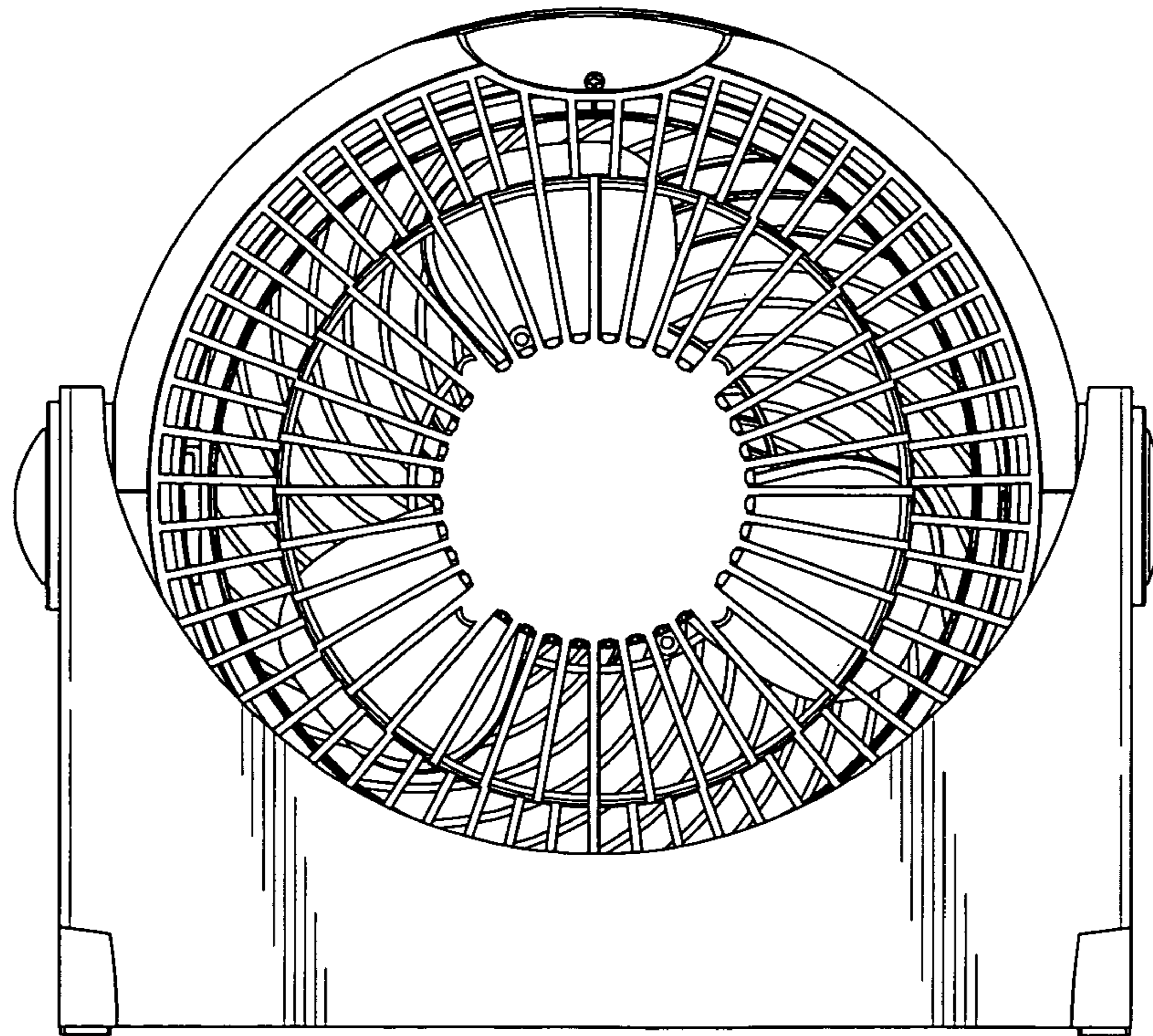


FIG. 3

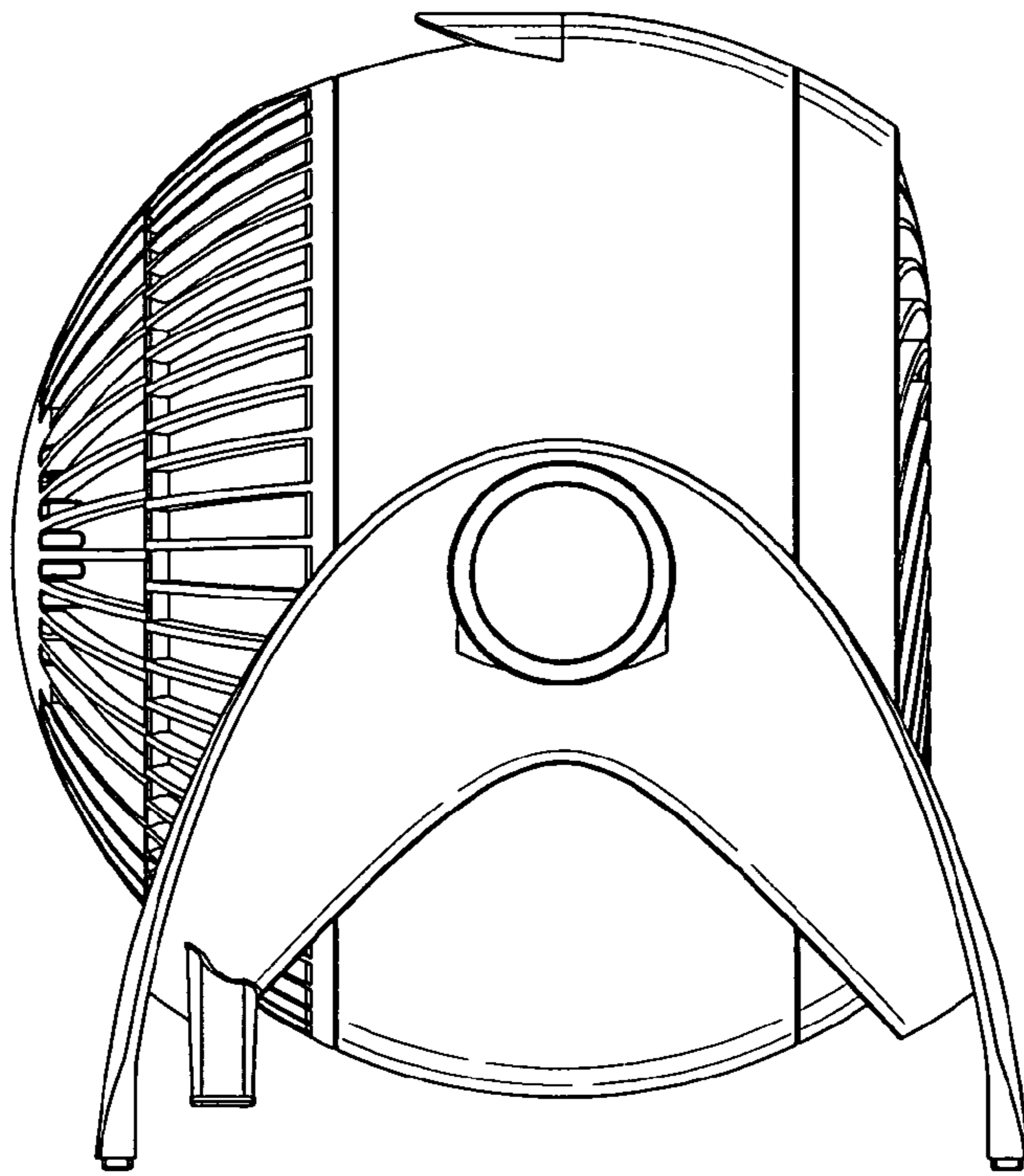


FIG. 4

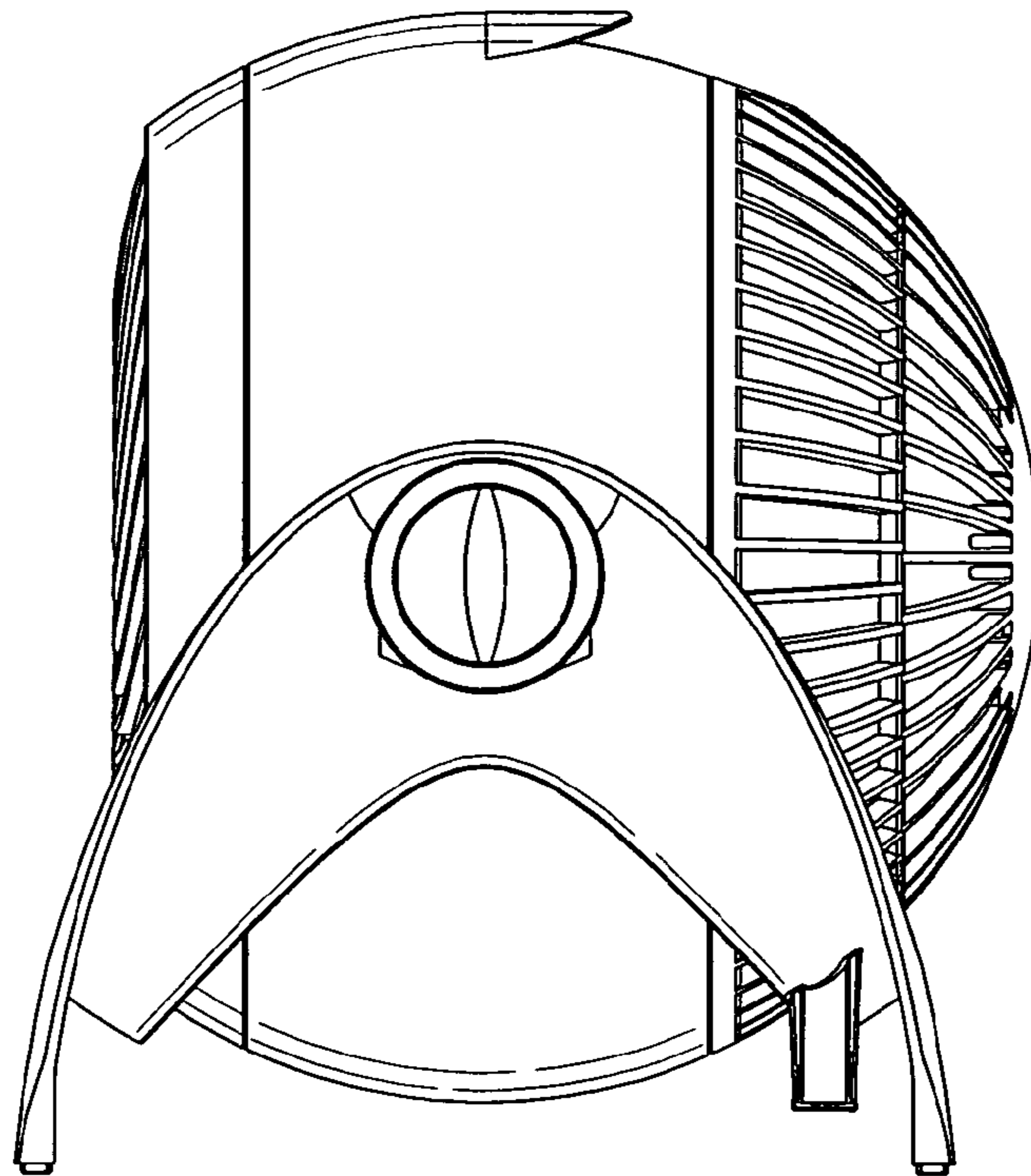


FIG. 5

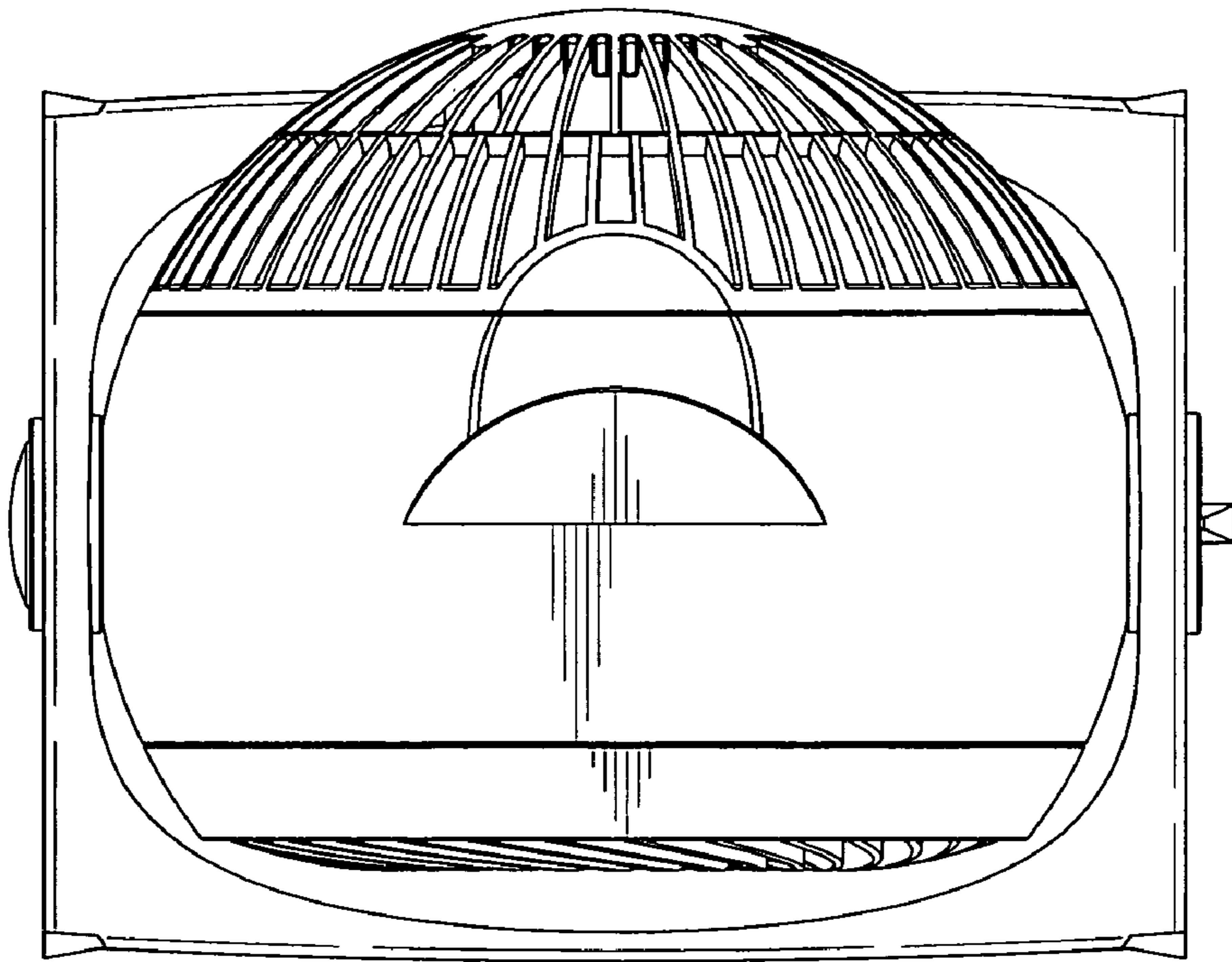


FIG. 6

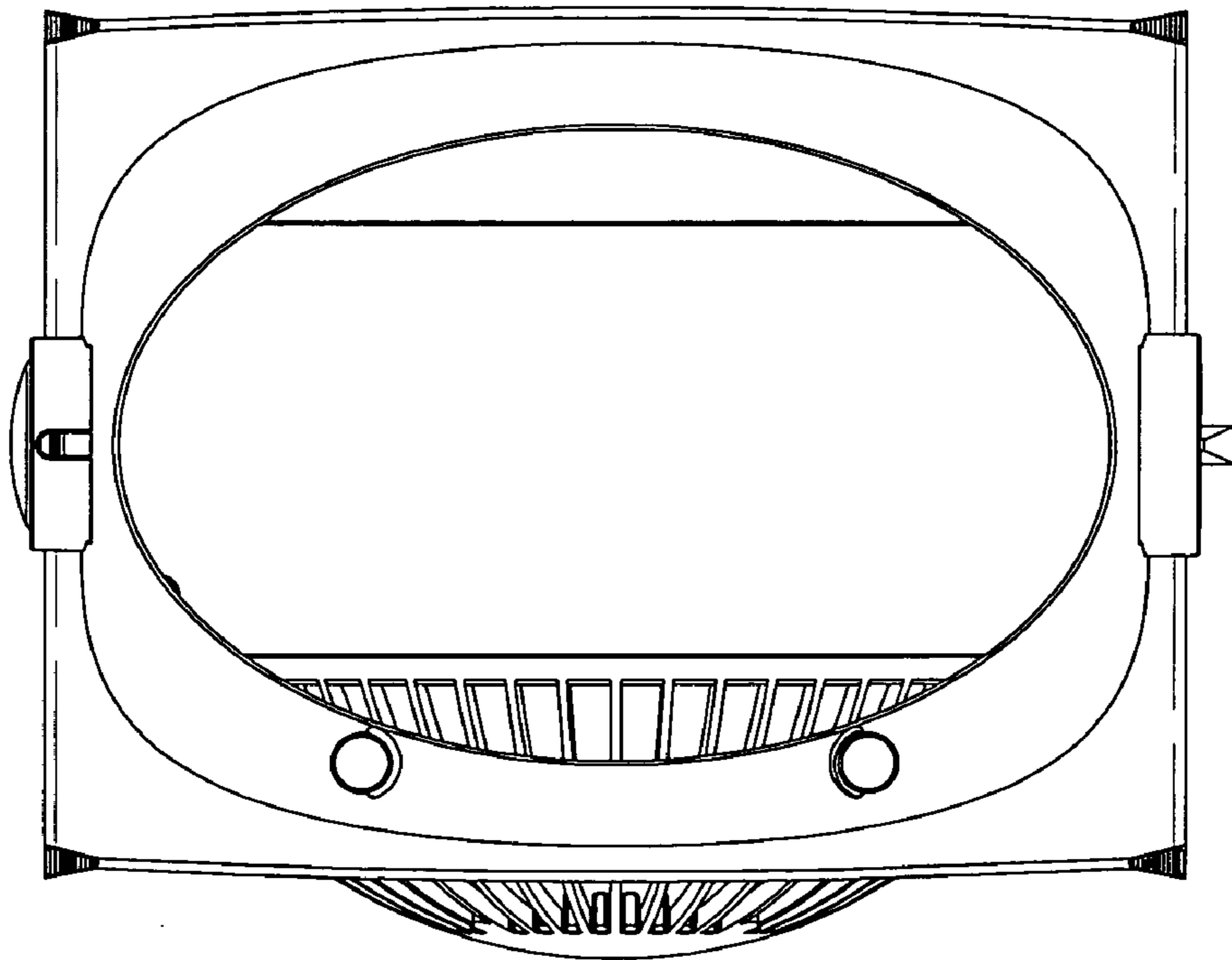


FIG. 7