



US00D605278S

(12) **United States Design Patent**
Orihara et al.

(10) **Patent No.:** **US D605,278 S**
(45) **Date of Patent:** **** Dec. 1, 2009**

(54) **IONIZER**

(75) Inventors: **Masayuki Orihara**, Tsukubamirai (JP);
Takayuki Toshida, Tsukubamirai (JP);
Akira Tadano, Tsukubamirai (JP)

(73) Assignee: **SMC Corporation**, Chiyoda-ku, Tokyo
(JP)

(**) Term: **14 Years**

(21) Appl. No.: **29/337,194**

(22) Filed: **May 17, 2009**

(30) **Foreign Application Priority Data**

Dec. 2, 2008 (JP) 2008-030876

(51) **LOC (9) Cl.** **28-99**

(52) **U.S. Cl.** **D23/366**

(58) **Field of Classification Search** D23/355-369;
D28/5, 6; 261/DIG. 17, DIG. 42, DIG. 65,
261/DIG. 88, DIG. 89; 239/34, 35, 36, 44,
239/45, 52, 53, 55, 56, 57, 60, 302, 303,
239/326, 380; 392/336, 390, 392, 394, 395
See application file for complete search history.

(56) **References Cited**

U.S. PATENT DOCUMENTS

2,611,068	A *	9/1952	Wellens	392/392
3,807,082	A *	4/1974	Hautmann et al.	43/125
D279,815	S *	7/1985	Yuen	D23/356
4,603,030	A *	7/1986	McCarthy	472/57
4,615,486	A *	10/1986	Konicek	239/274
D295,217	S *	4/1988	Glucksman	D23/366
D307,050	S *	4/1990	Glucksman et al.	D23/366
D323,884	S *	2/1992	Muderlak	D23/366
D324,098	S *	2/1992	Ragonesi	D23/366
D325,253	S *	4/1992	Muderlak	D23/366
D373,416	S *	9/1996	Ford et al.	D23/364

D374,713	S *	10/1996	Ford et al.	D23/364
D460,542	S *	7/2002	Li	D23/328
D543,614	S *	5/2007	Chen	D23/382
D572,357	S *	7/2008	Murai et al.	D23/366
D580,539	S *	11/2008	Rittri et al.	D23/364
D594,951	S *	6/2009	Orihara et al.	D23/366
D594,952	S *	6/2009	Orihara et al.	D23/366
D594,959	S *	6/2009	Orihara et al.	D23/381
D594,960	S *	6/2009	Orihara et al.	D23/381
D595,398	S *	6/2009	Orihara et al.	D23/366

* cited by examiner

Primary Examiner—Sandra Snapp

(74) *Attorney, Agent, or Firm*—Yokoi & Co., U.S.A., Inc.;
Peter Ganjian

(57) **CLAIM**

The ornamental design for an ionizer, as shown and described.

DESCRIPTION

FIG. 1 shows a front view of an ionizer showing my new design;

FIG. 2 shows a rear view thereof;

FIG. 3 shows a right side view thereof;

FIG. 4 shows a left side view thereof;

FIG. 5 shows a top view thereof;

FIG. 6 shows a bottom view thereof;

FIG. 7 shows a top, front and right side perspective view thereof; and,

FIG. 8 shows a bottom, rear and left side perspective view thereof.

The portions of the design shown in broken lines in FIGS. 1, 2, 7 and 8 are for the purpose of illustrating the environment only and form no part of the claimed design.

1 Claim, 7 Drawing Sheets

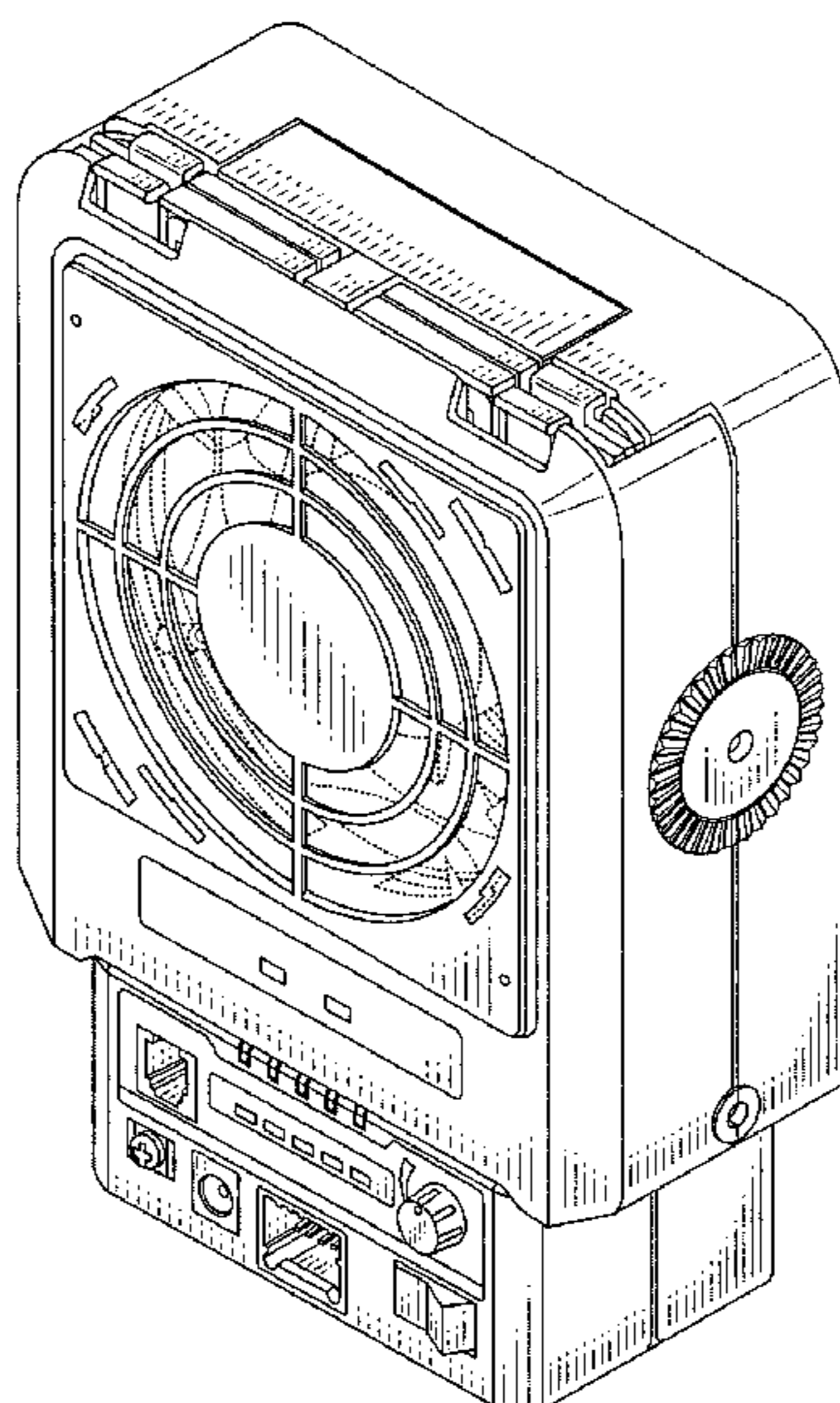


FIG. 1

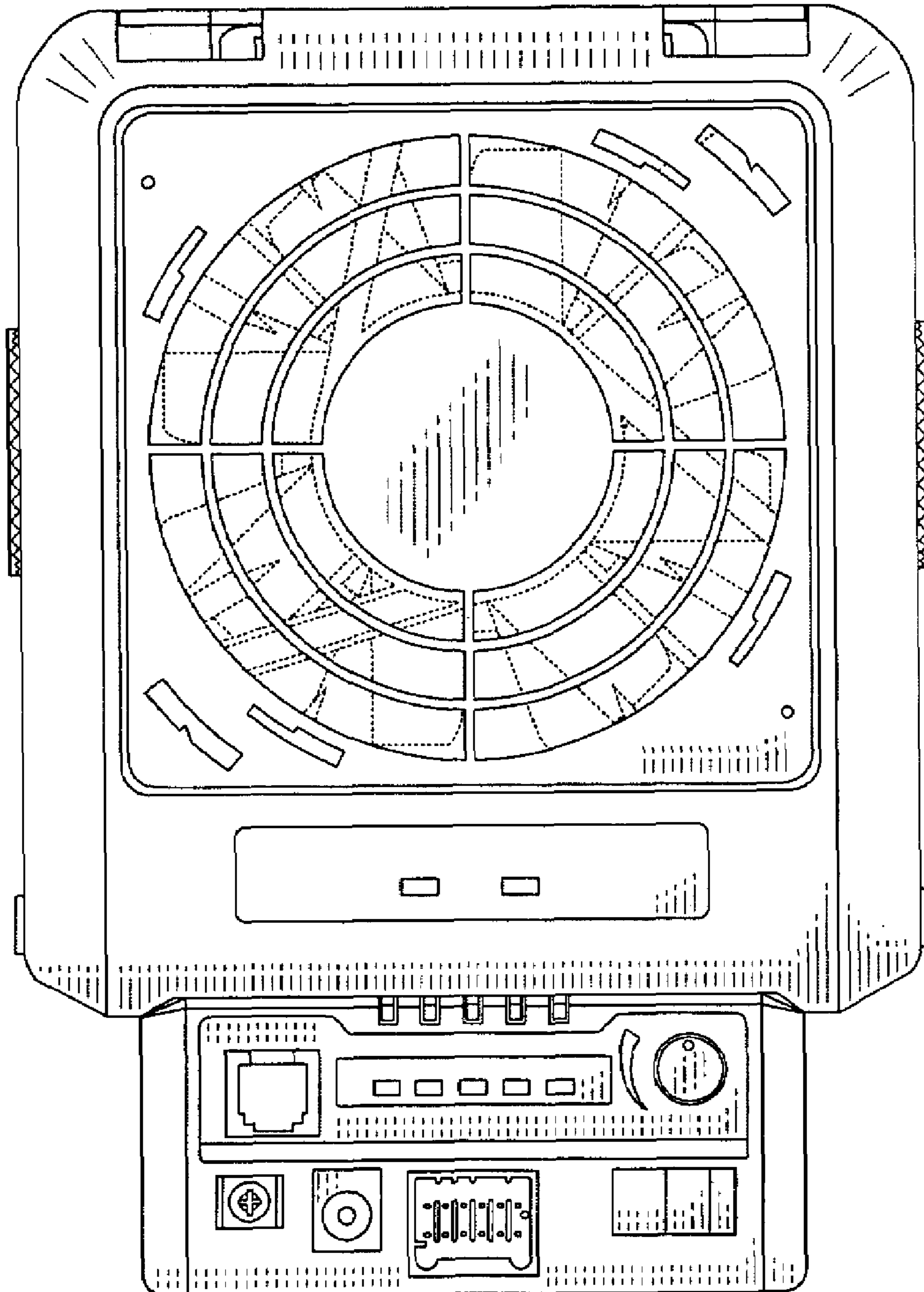


FIG. 2

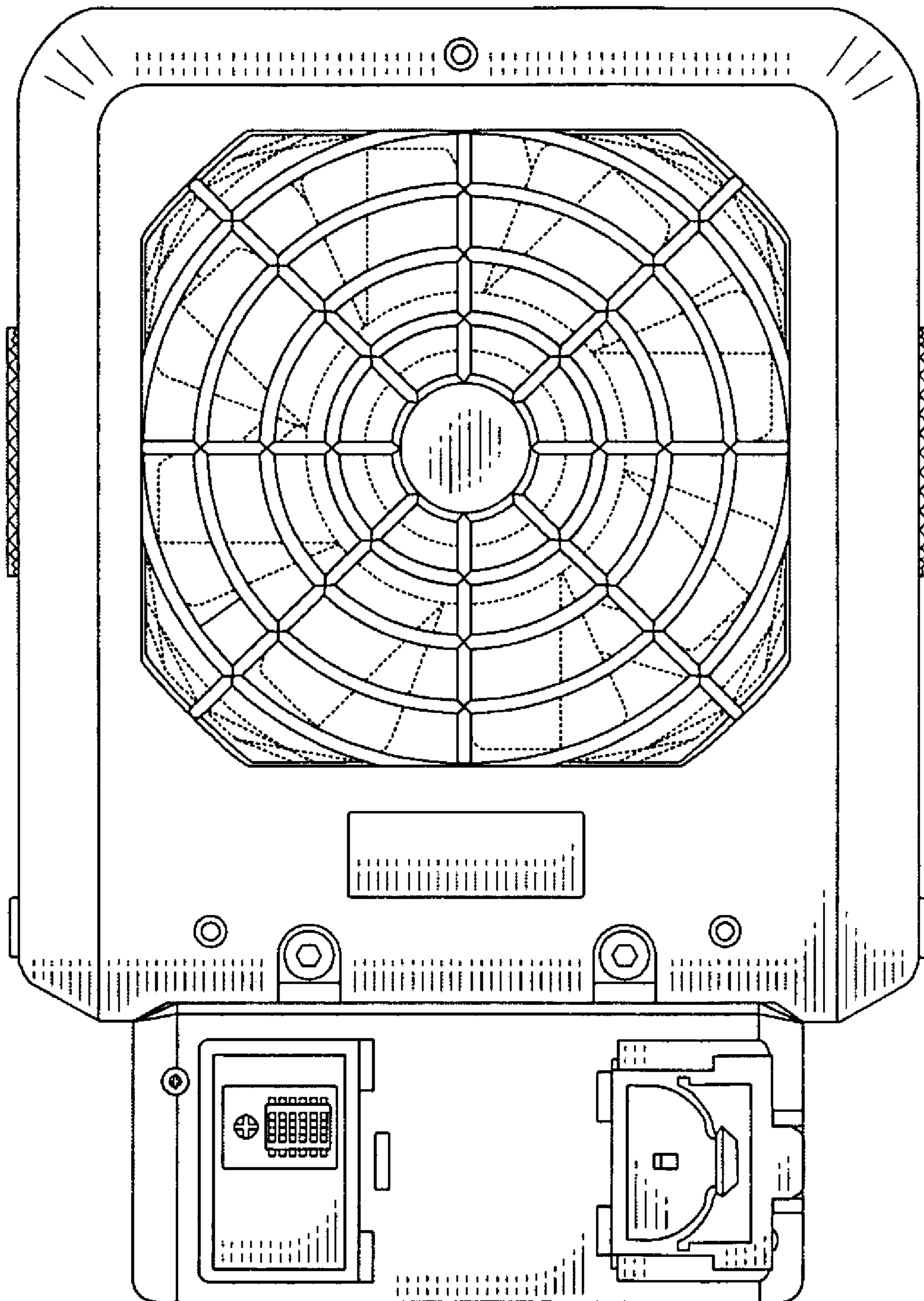


FIG. 3

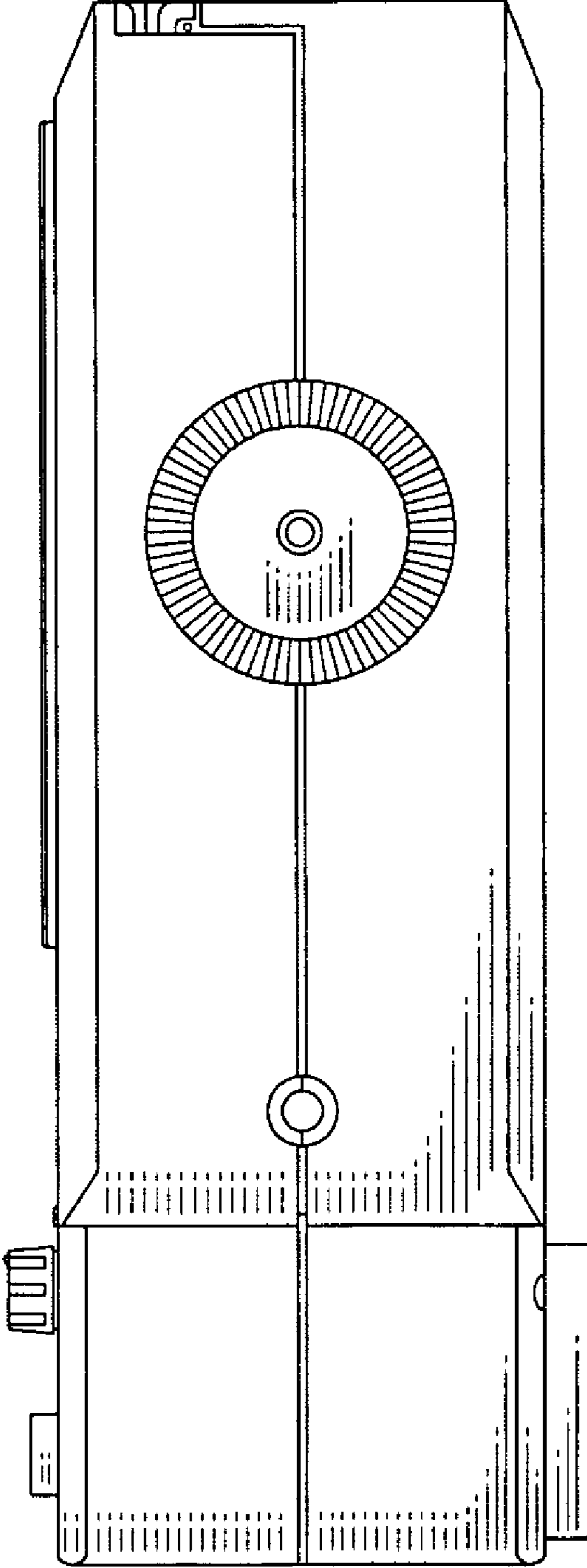


FIG. 4

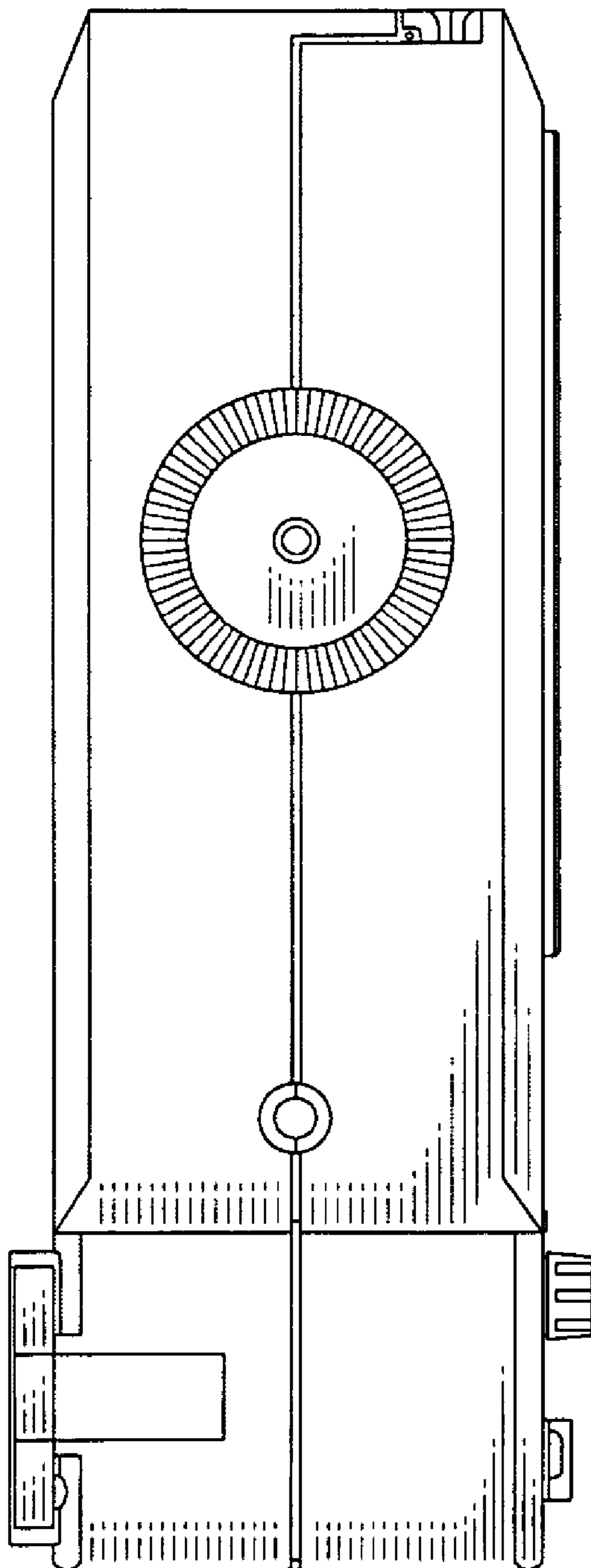


FIG. 5

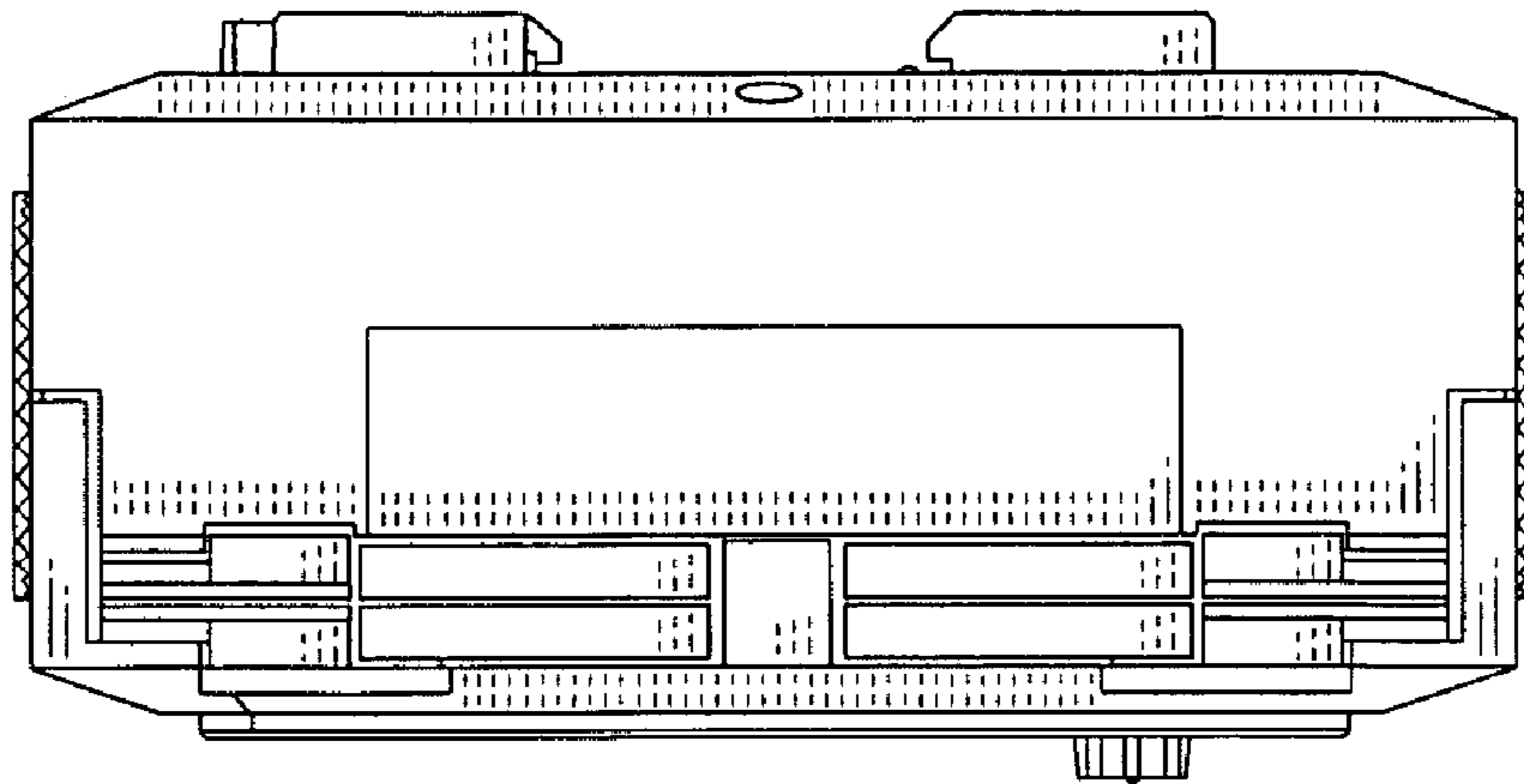


FIG. 6

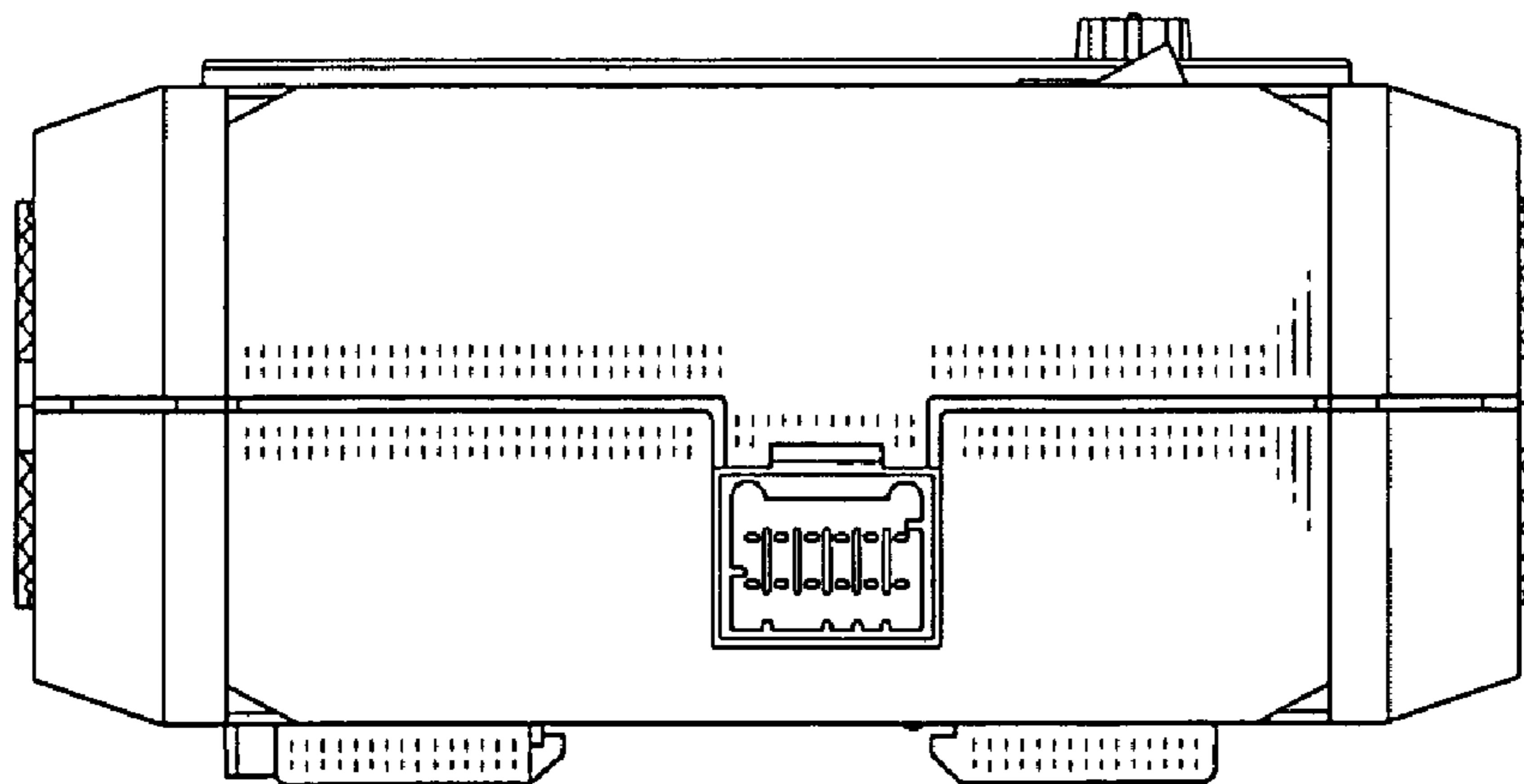


FIG. 7

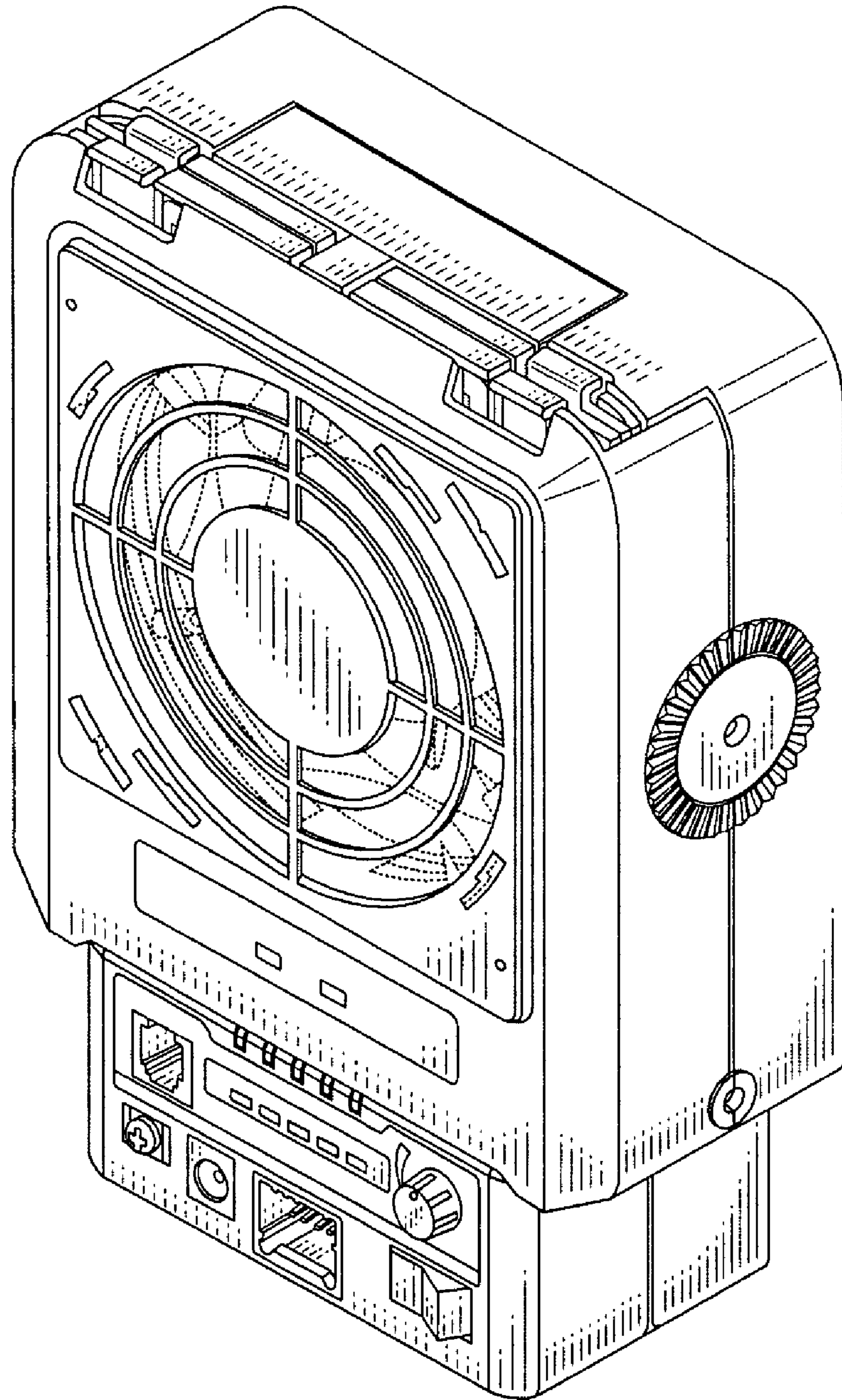


FIG. 8

