



US00D605277S

(12) **United States Design Patent**
Rossi

(10) **Patent No.:** **US D605,277 S**
(45) **Date of Patent:** **** Dec. 1, 2009**

(54) **DIFFUSING EVAPORATOR OF ACTIVE SUBSTANCES**

(75) Inventor: **Danilo Rossi**, Trento (IT)

(73) Assignee: **Zobe Holding SpA**, Trento (IT)

(**) Term: **14 Years**

(21) Appl. No.: **29/330,300**

(22) Filed: **Jan. 5, 2009**

(30) **Foreign Application Priority Data**

Jul. 3, 2008 (EM) 000963798

(51) **LOC (9) Cl.** **28-99**

(52) **U.S. Cl.** **D23/366**

(58) **Field of Classification Search** D23/355-369;
261/DIG. 17, DIG. 42, DIG. 65, DIG. 88,
261/DIG. 89; 239/34-36, 44-45, 53-54,
239/56-57, 60, 136, 152, 302, 326; 392/386,
392/390, 392, 394, 395; D28/5, 6
See application file for complete search history.

(56) **References Cited**

U.S. PATENT DOCUMENTS

D393,063 S *	3/1998	Wefler	D23/366
D432,222 S *	10/2000	Rymer et al.	D23/366
D433,744 S *	11/2000	Basaganas	D23/366
D437,636 S *	2/2001	Basaganas	D23/366
D461,549 S *	8/2002	Garcia	D23/360
D461,885 S *	8/2002	Jordi	D23/366
D462,755 S *	9/2002	Basaganas Millan	D23/366
D473,638 S *	4/2003	Cruver, IV	D23/366
D501,546 S *	2/2005	Cruver et al.	D23/366
D501,921 S *	2/2005	Caserta et al.	D23/366
D502,540 S *	3/2005	Cruver et al.	D23/366
D510,423 S *	10/2005	Caserta et al.	D23/366
D511,823 S *	11/2005	Caserta et al.	D23/366

D512,136 S *	11/2005	Wefler	D23/366
D512,769 S *	12/2005	Wefler	D23/366
D516,691 S *	3/2006	Caserta et al.	D23/366
D520,128 S *	5/2006	Caserta et al.	D23/366
D523,129 S *	6/2006	Caserta et al.	D23/366
D559,373 S *	1/2008	Kennedy et al.	D23/366
D561,883 S *	2/2008	Cantoni et al.	D23/366
D561,885 S *	2/2008	Furner et al.	D23/366
D561,886 S *	2/2008	Furner et al.	D23/366
D567,920 S *	4/2008	Cantoni et al.	D23/366
D568,455 S *	5/2008	Friedman et al.	D23/366
D568,978 S *	5/2008	Kennedy et al.	D23/366
D574,941 S *	8/2008	Weggelaar	D23/366

* cited by examiner

Primary Examiner—Sandra Snapp

(74) *Attorney, Agent, or Firm*—Ladas and Parry LLP

(57) **CLAIM**

I claim the ornamental design for a diffusing apparatus of active substances, as shown and described.

DESCRIPTION

FIG. 1 is a perspective view from front of a diffusing apparatus of active substances of my new design;

FIG. 2 is a perspective view from thereof from behind;

FIG. 3 is a perspective view thereof from below;

FIG. 4 is a right side view thereof;

FIG. 5 is a top view thereof;

FIG. 6 is a front view thereof;

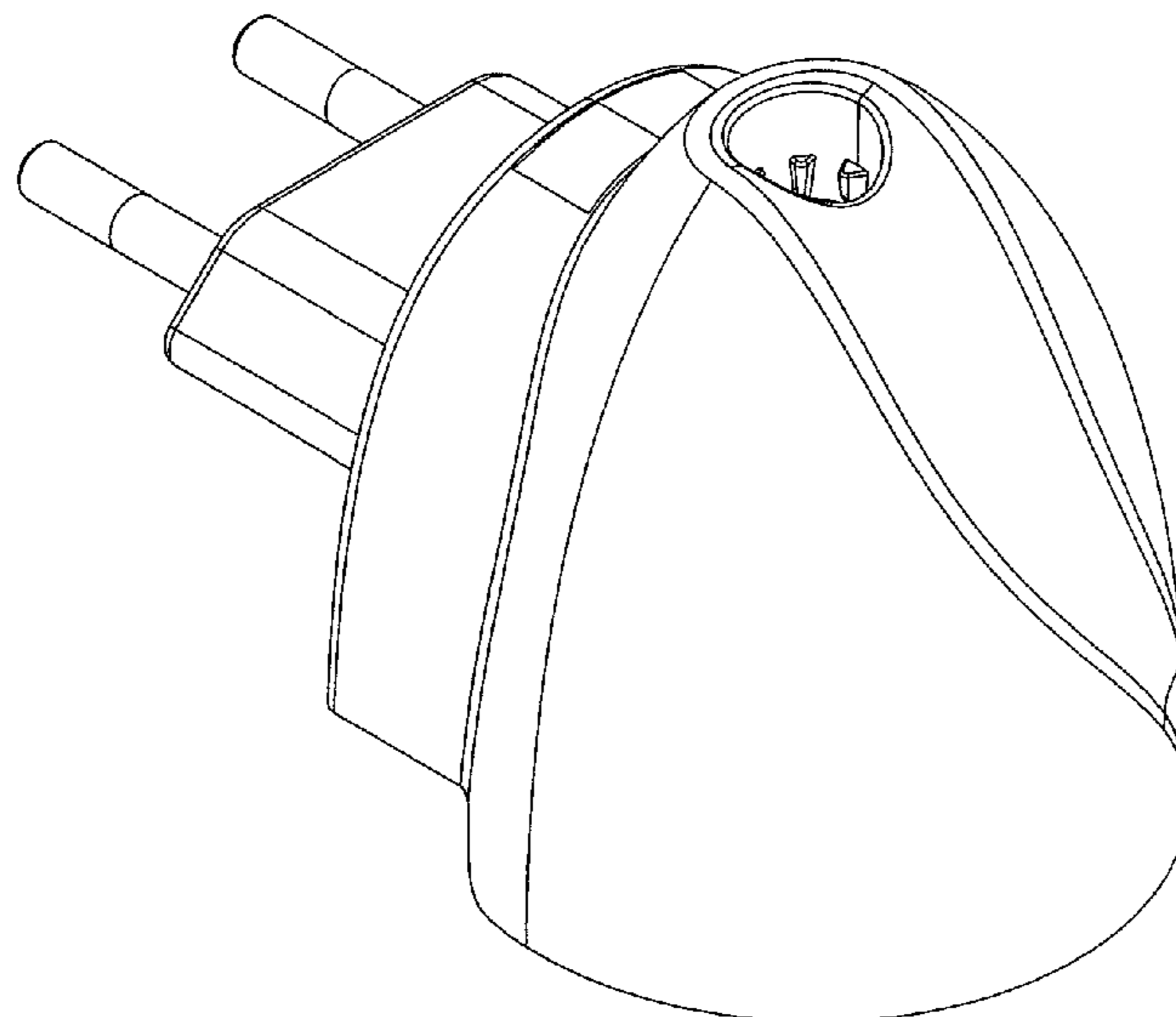
FIG. 7 is a left side view thereof;

FIG. 8 is a bottom view thereof; and,

FIG. 9 is a rear view thereof.

The broken lines shown in the drawings are for illustrative purposes only and form no part of the claimed design.

1 Claim, 9 Drawing Sheets



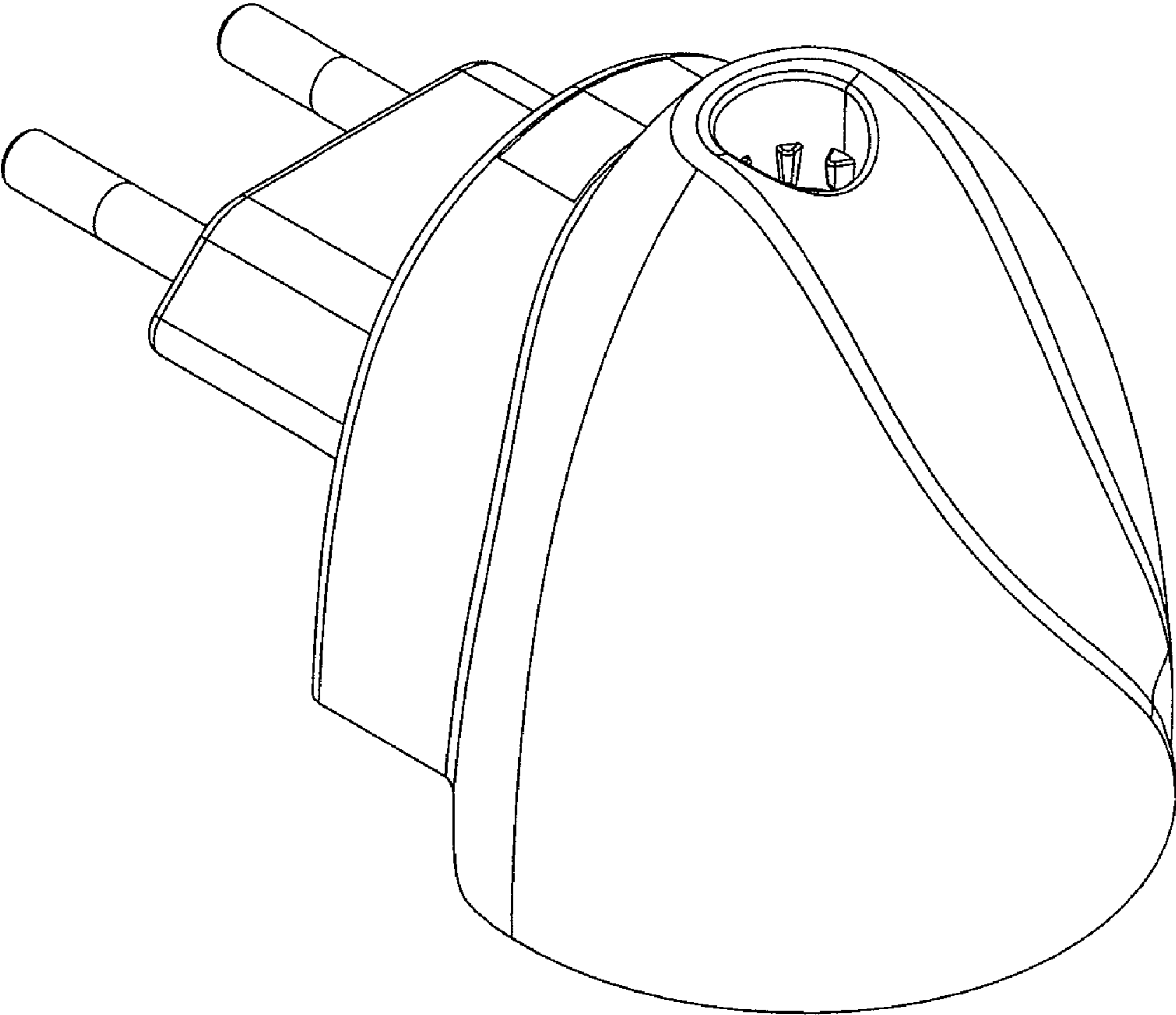


FIG.1

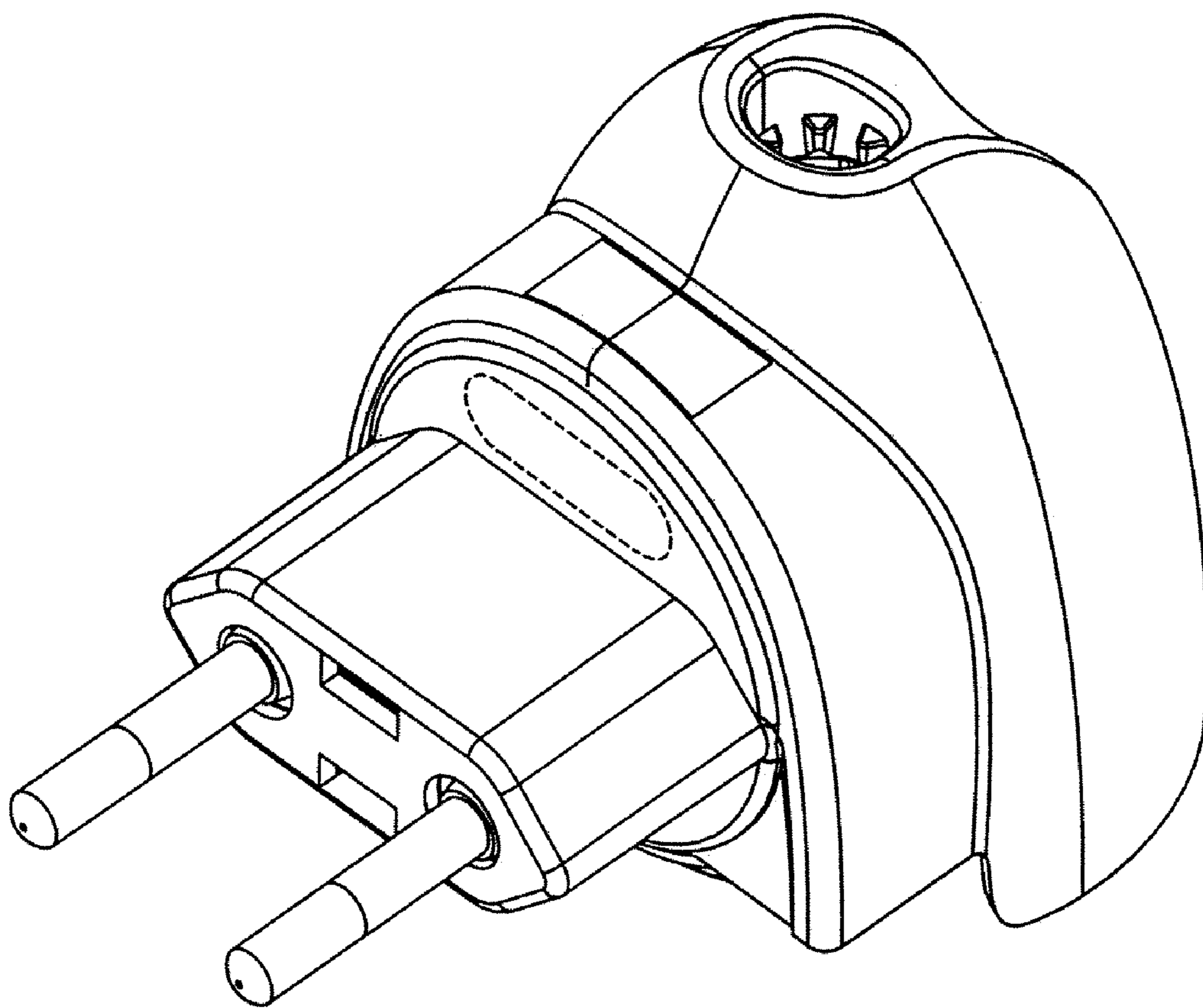


FIG. 2

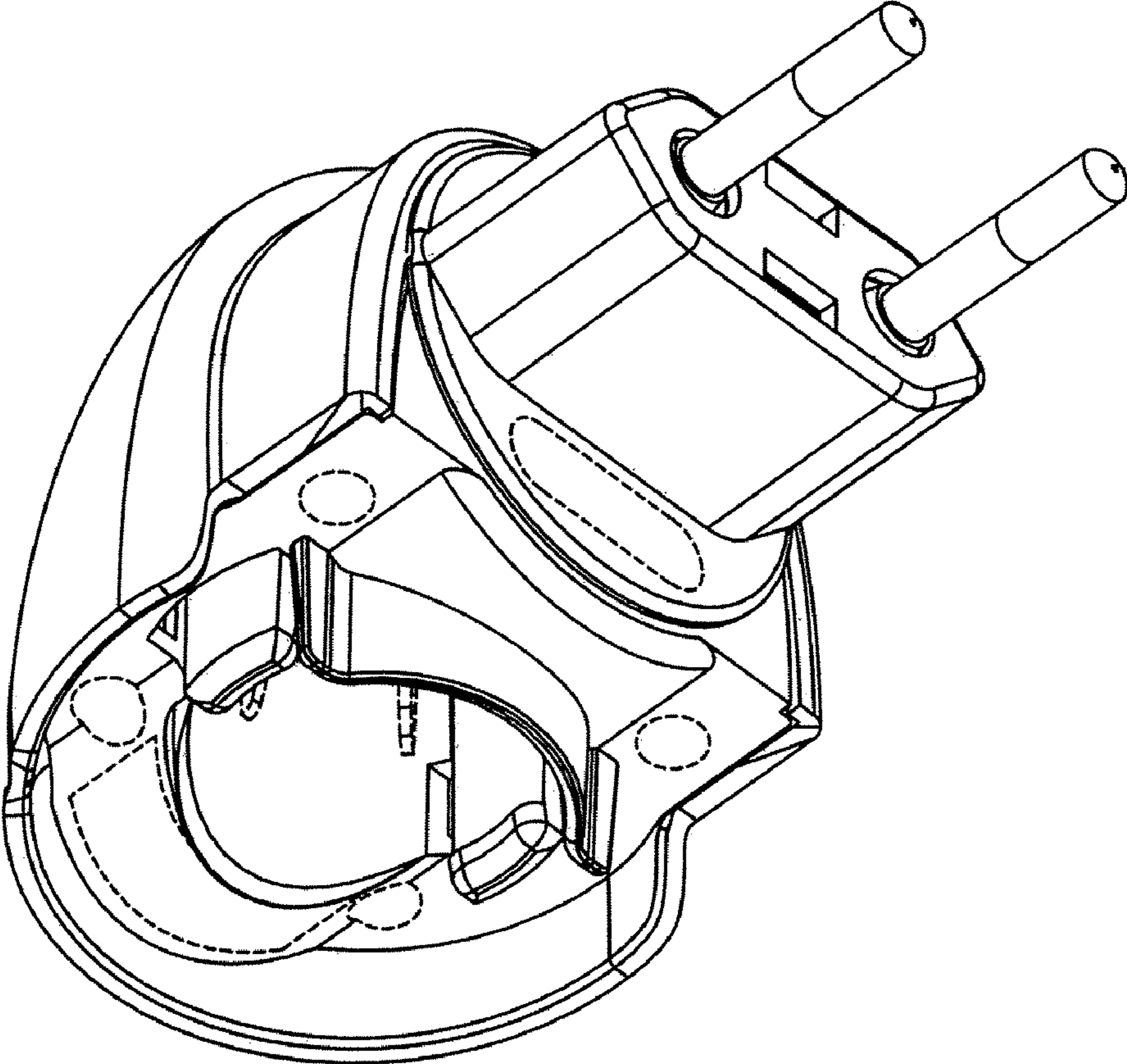


FIG. 3

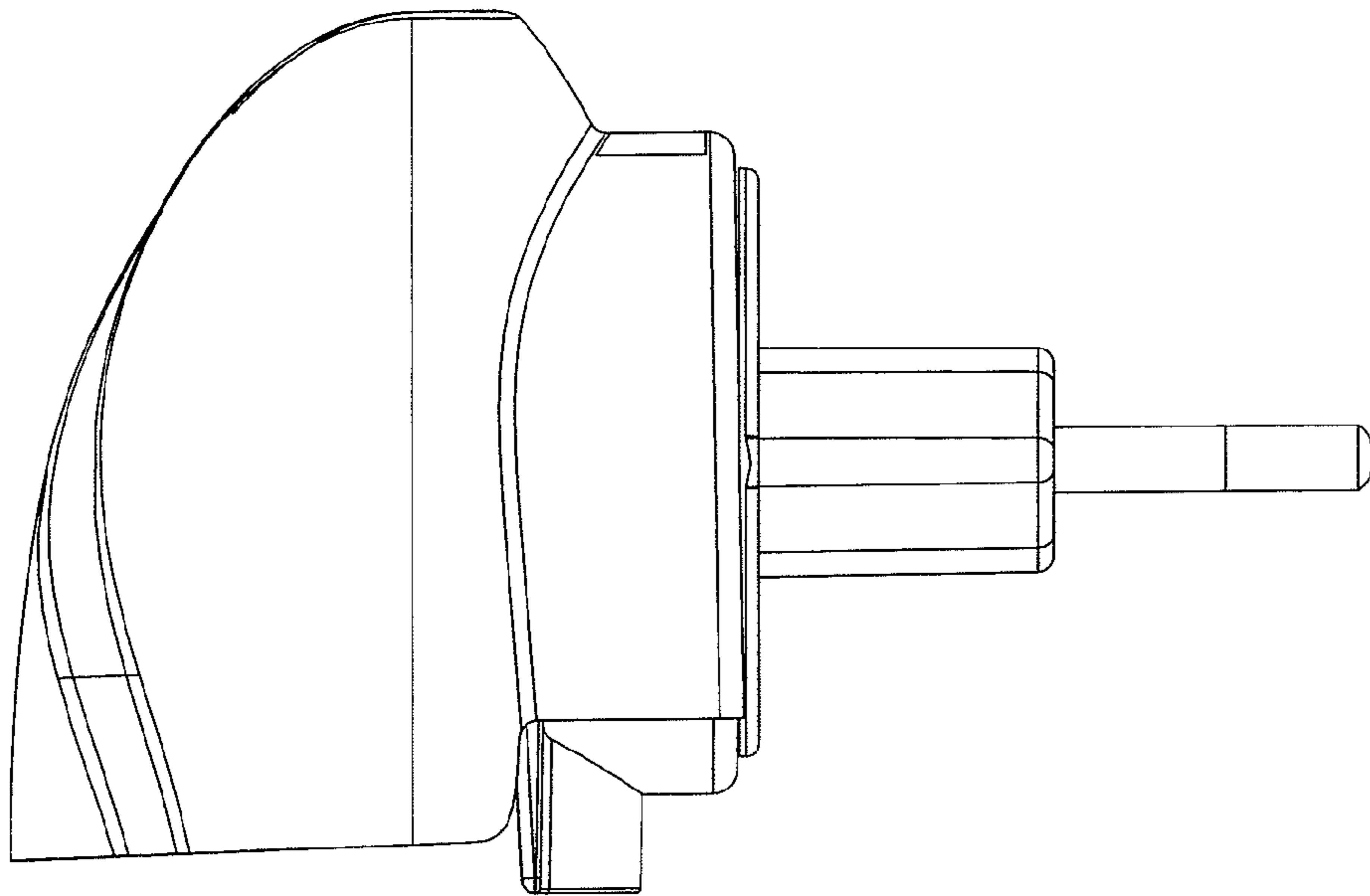


FIG. 4

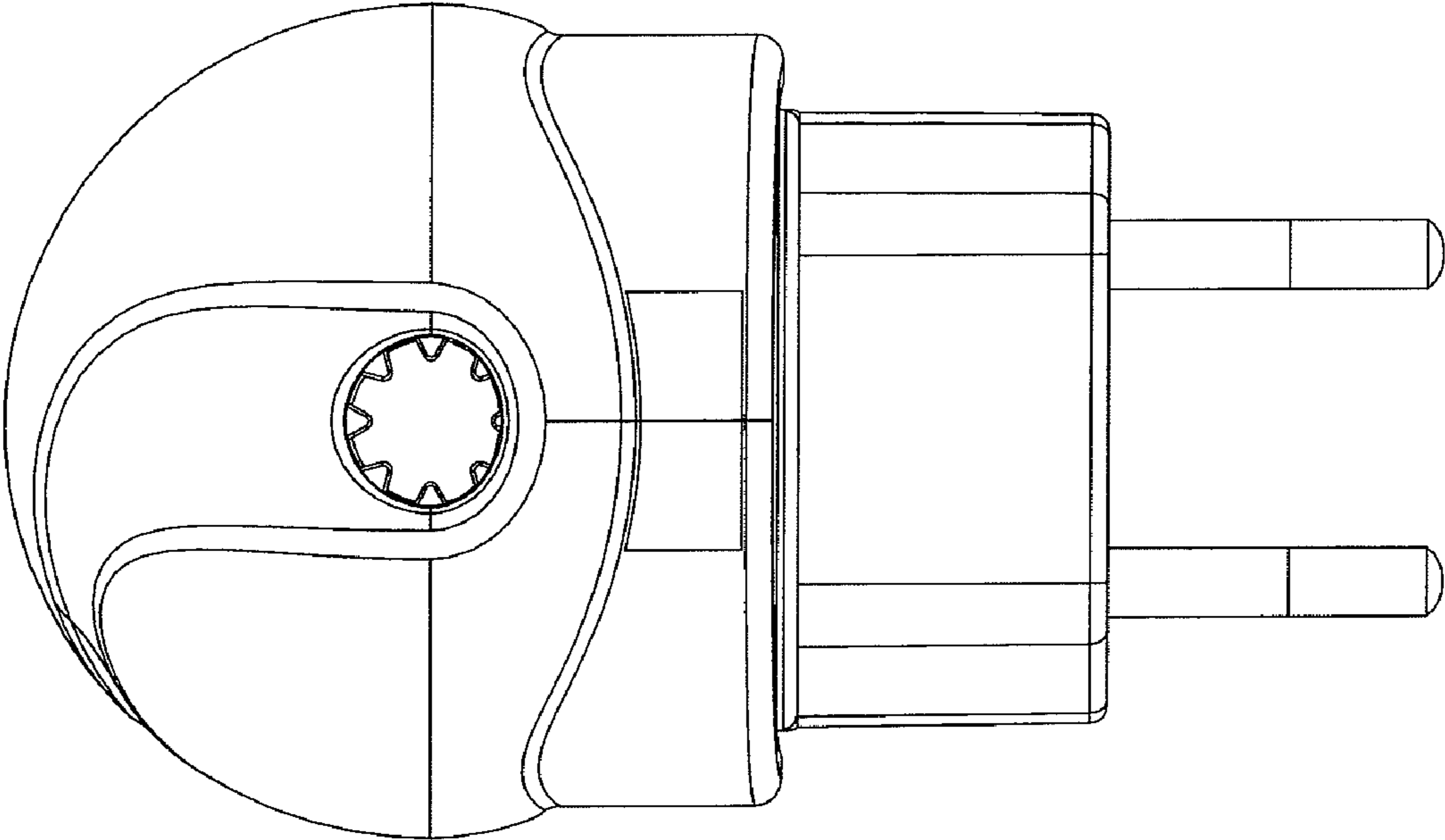


FIG. 5

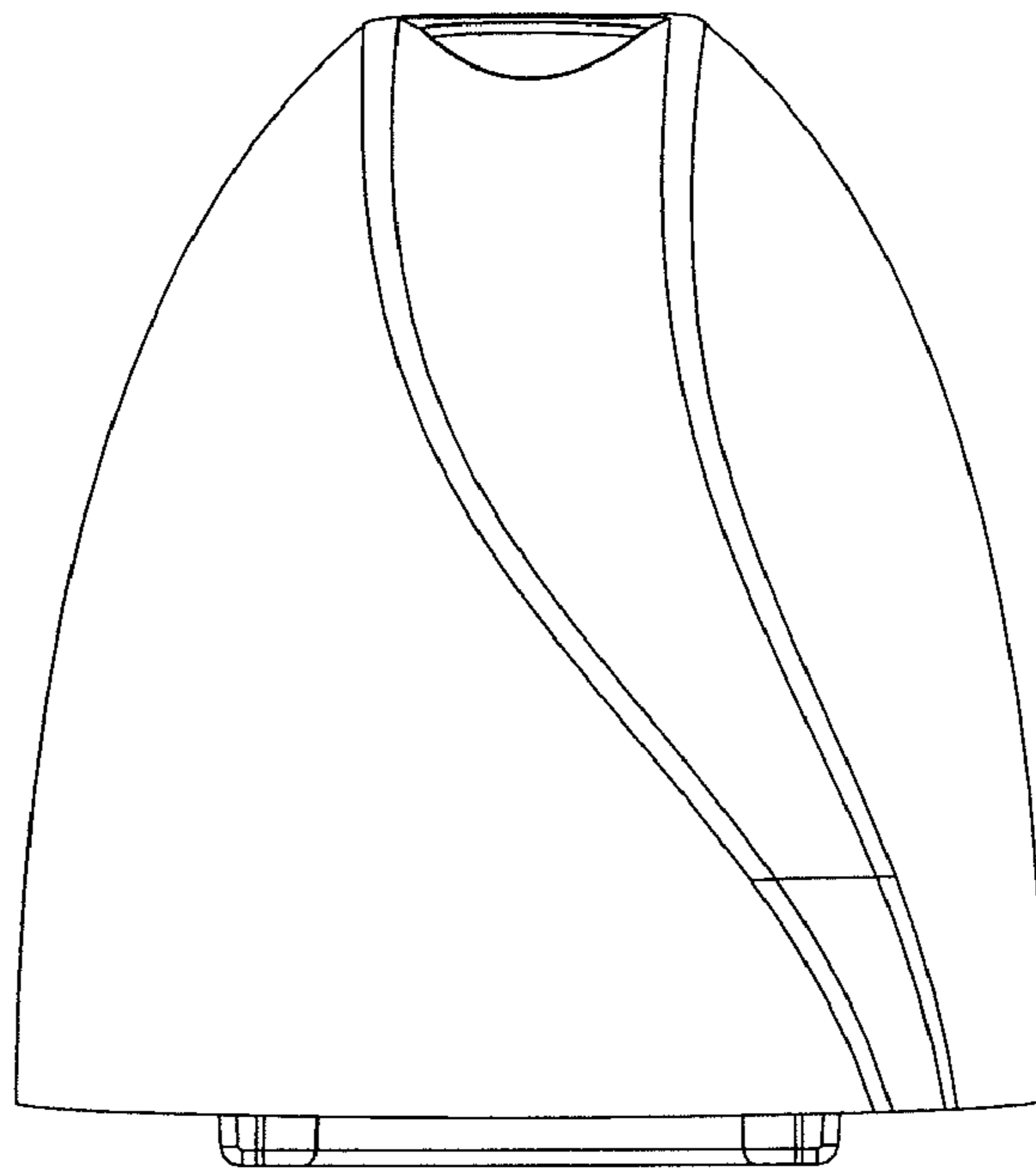


FIG. 6

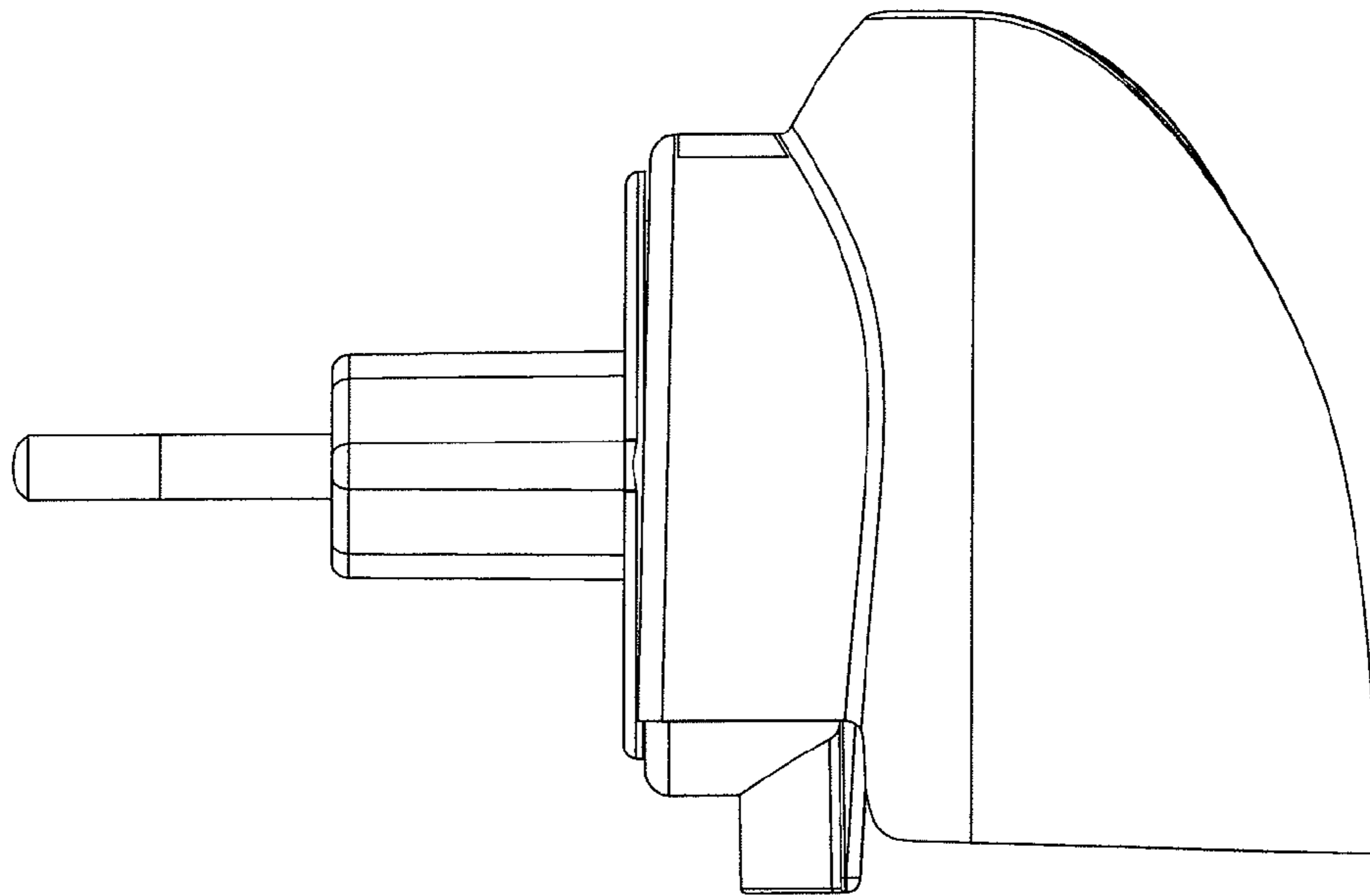


FIG. 7

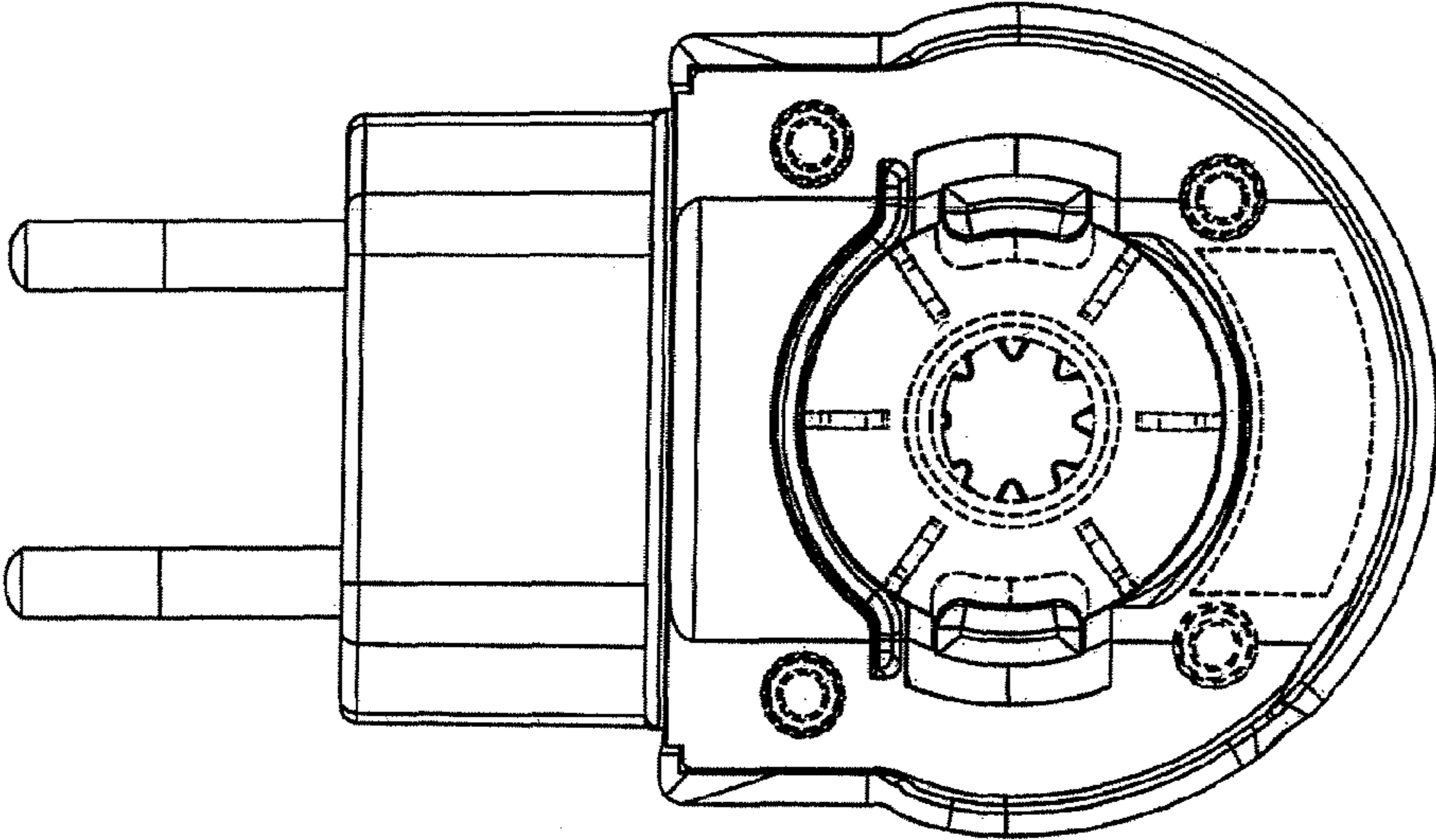


FIG. 8

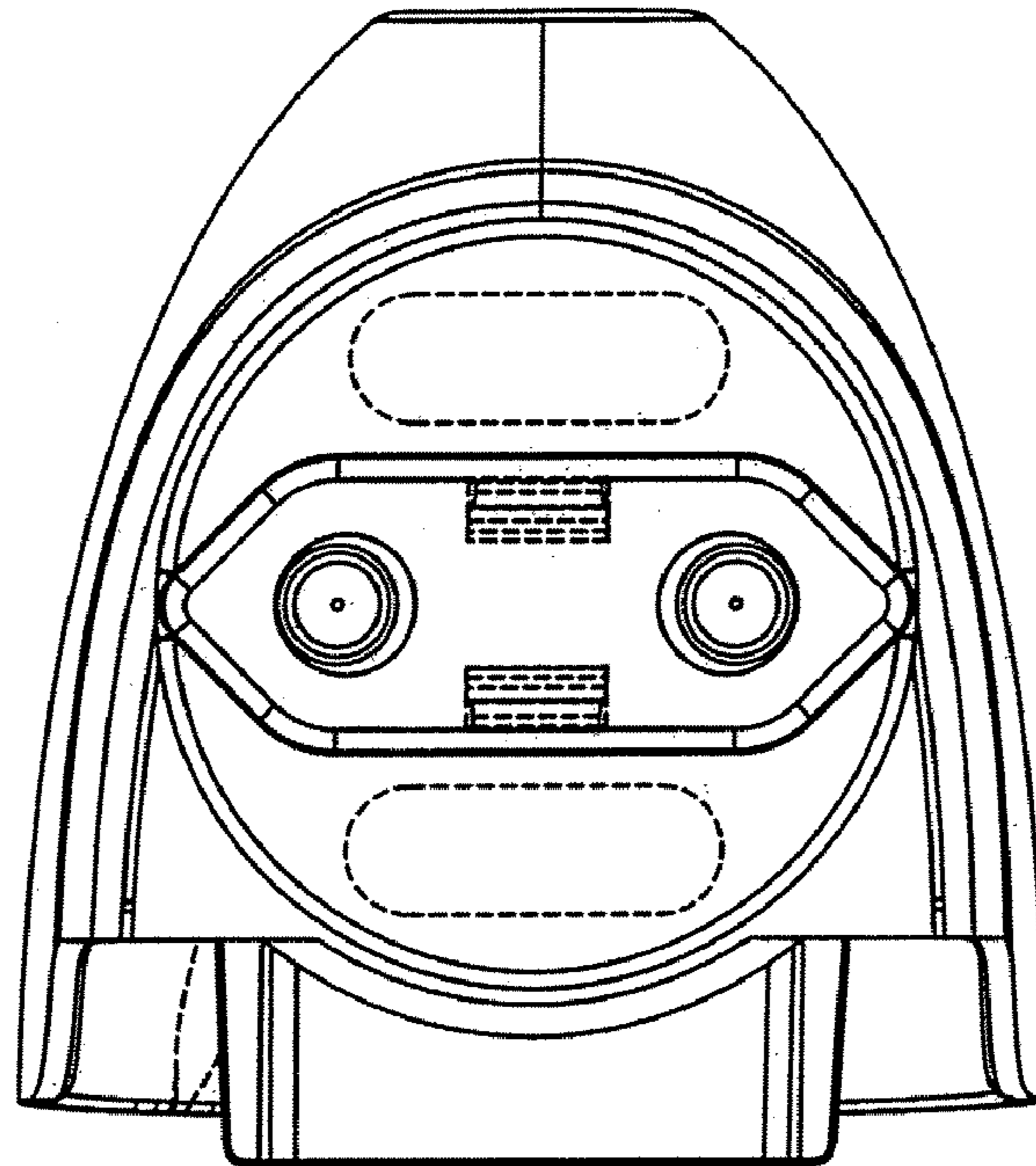


FIG. 9