



US00D605275S

(12) **United States Design Patent**
Kawano et al.

(10) **Patent No.:** **US D605,275 S**

(45) **Date of Patent:** **** Dec. 1, 2009**

(54) **AIR FILTER**

(75) Inventors: **Eizou Kawano**, Ibaraki (JP); **Youzou Yano**, Ibaraki (JP); **Takashi Tagou**, Ibaraki (JP); **Akio Suzuki**, Ibaraki (JP)

(73) Assignee: **Nitto Denko Corporation**, Osaka (JP)

(**) Term: **14 Years**

(21) Appl. No.: **29/335,714**

(22) Filed: **Apr. 20, 2009**

Related U.S. Application Data

(62) Division of application No. 29/286,071, filed on Apr. 19, 2007, now Pat. No. Des. 593,189.

(30) **Foreign Application Priority Data**

Oct. 19, 2006	(JP)	2006-028402
Oct. 19, 2006	(JP)	2006-028403
Oct. 19, 2006	(JP)	2006-028405
Oct. 19, 2006	(JP)	2006-028412
Oct. 19, 2006	(JP)	2006-028416

(51) **LOC (9) Cl.** **23-04**

(52) **U.S. Cl.** **D23/365**

(58) **Field of Classification Search** D23/365,
D23/363, 358, 386, 354, 341, 364, 209; 55/385.3,
55/502, 497, 498, 506, 505, 521, 495, 422,
55/493, 415, DIG. 30; 138/39

See application file for complete search history.

(56) **References Cited**

U.S. PATENT DOCUMENTS

5,238,477	A *	8/1993	Layton	55/497
D397,777	S *	9/1998	Mack, Jr.	D23/354
D402,356	S *	12/1998	Hodge	D23/365
D425,189	S *	5/2000	Gillingham et al.	D23/365
D449,100	S *	10/2001	Sundet et al.	D23/365
6,464,745	B2 *	10/2002	Rivera et al.	55/497
D538,418	S *	3/2007	Pippel et al.	D23/365

D548,826	S *	8/2007	Katta	D23/364
2004/0194441	A1 *	10/2004	Kirsch	55/497
2005/0284116	A1 *	12/2005	Duffy	55/497
2006/0037296	A1 *	2/2006	Duffy	55/495
2006/0053759	A1 *	3/2006	Winters et al.	55/497
2008/0105126	A1 *	5/2008	Kawano et al.	55/497

* cited by examiner

Primary Examiner—T. Chase Nelson

Assistant Examiner—David G Muller

(74) *Attorney, Agent, or Firm*—Osha • Liang LLP

(57) **CLAIM**

The ornamental design for an air filter, as shown and described.

DESCRIPTION

FIG. 1 is a front elevation view of the design according to an embodiment of the invention.

FIG. 2 is a rear elevation view thereof;

FIG. 3 is a top plan view thereof;

FIG. 4 is a bottom plan view thereof;

FIG. 5 is a right side elevation view thereof;

FIG. 6 is a left side elevation view thereof;

FIG. 7 is a front, right, and top perspective view thereof;

FIG. 8 is a back, left, and bottom perspective view thereof;

FIG. 9 is an enlarged, partial view of the front, right, and top perspective view of FIG. 7;

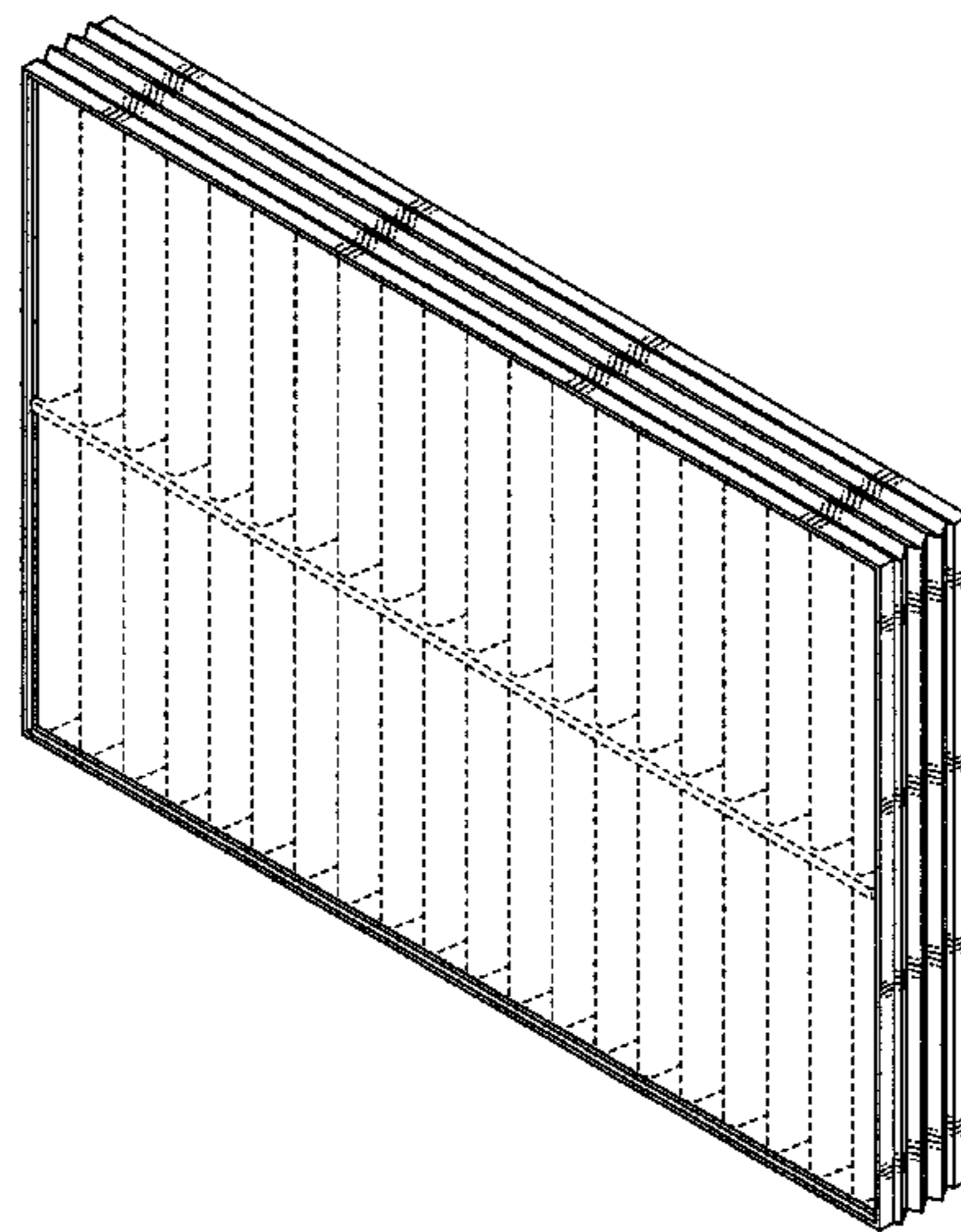
FIG. 10 is an enlarged, partial front, left, and top perspective view of the invention;

FIG. 11 is a cross-section of the design taken along line 11—11 as shown in FIG. 1; and,

FIG. 12 is a cross-section of the design taken along line 12—12 as shown in FIG. 1.

The features shown in broken lines depict environmental subject matter only and form no part of the claimed design.

1 Claim, 9 Drawing Sheets



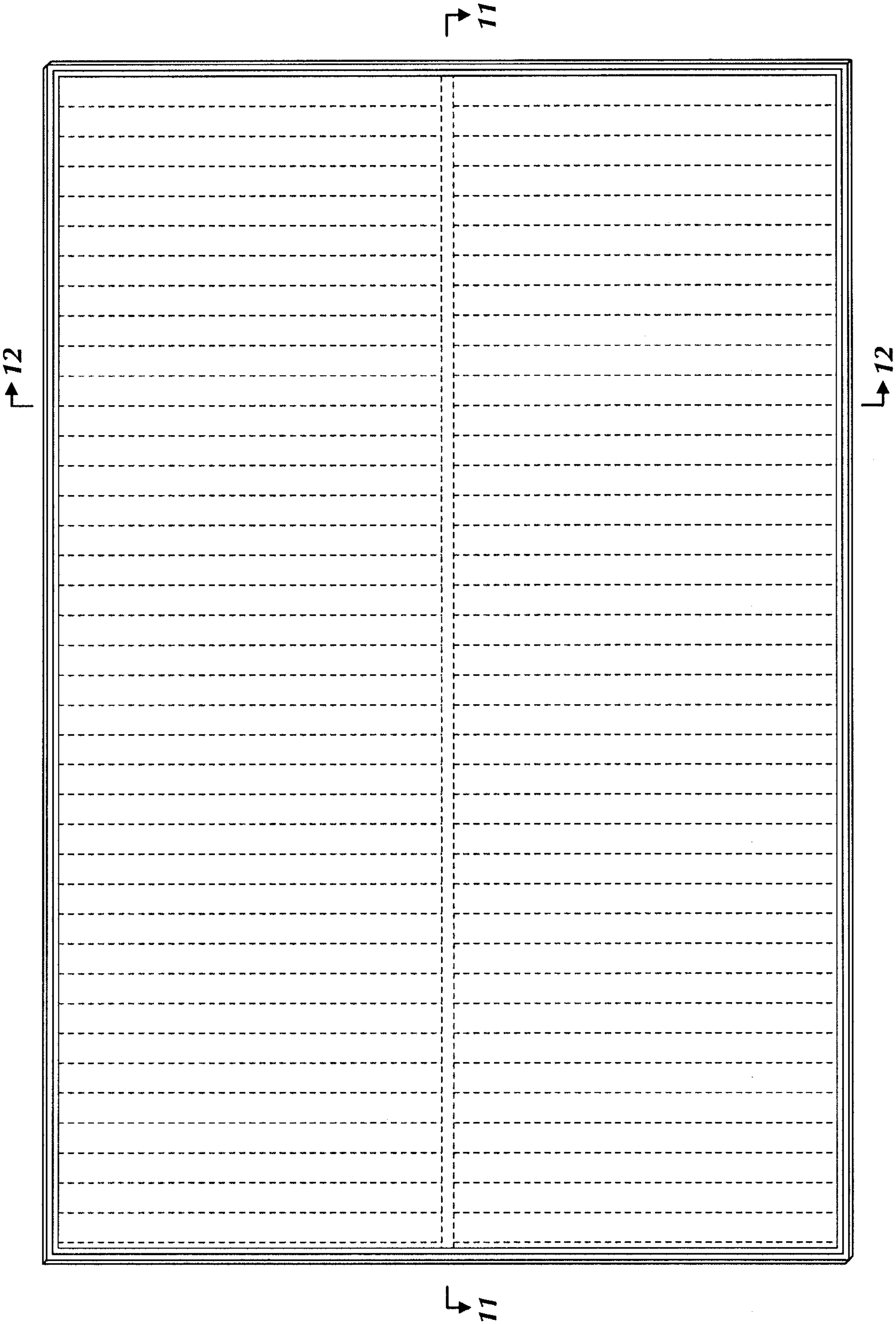


FIG. 1

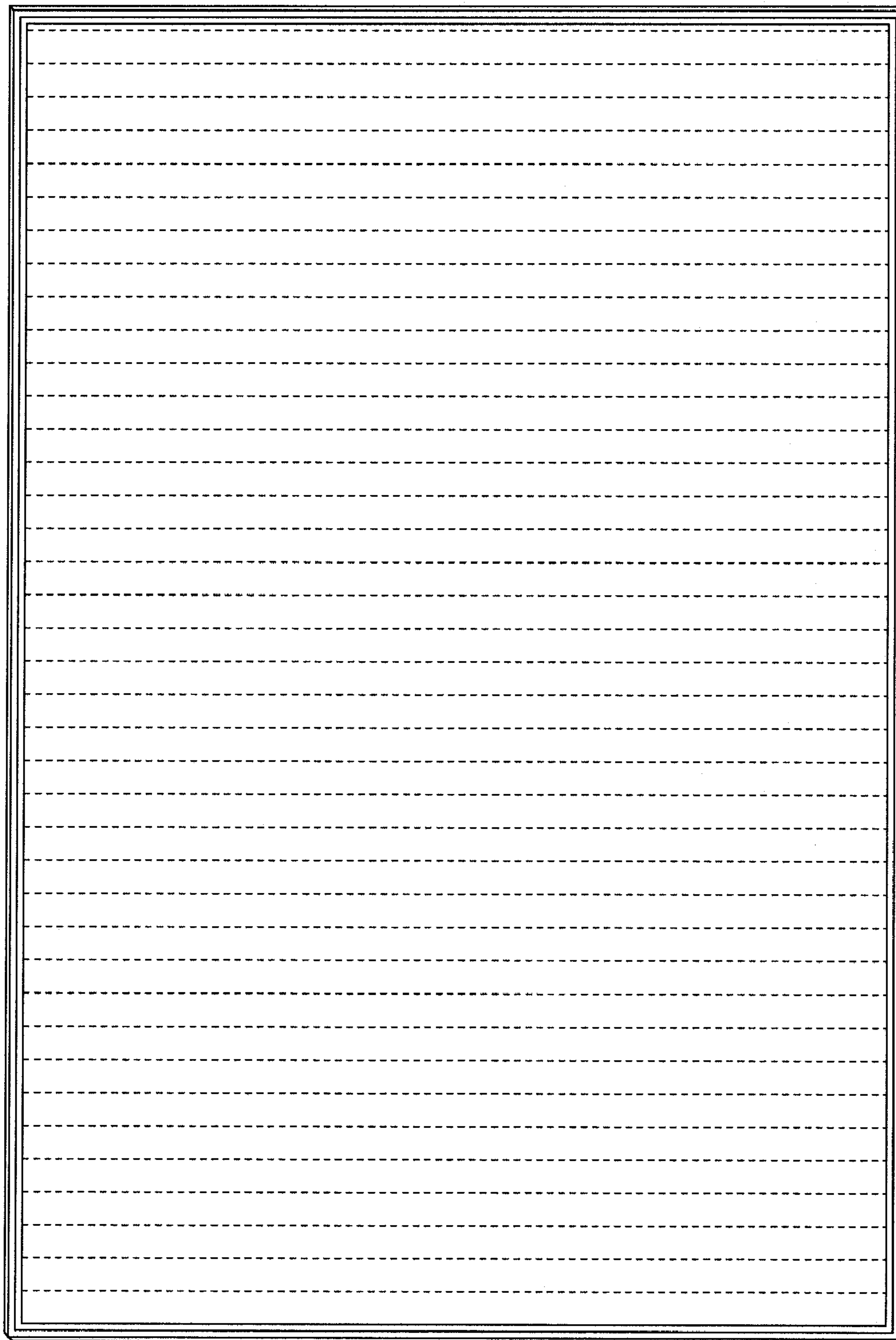


FIG. 2

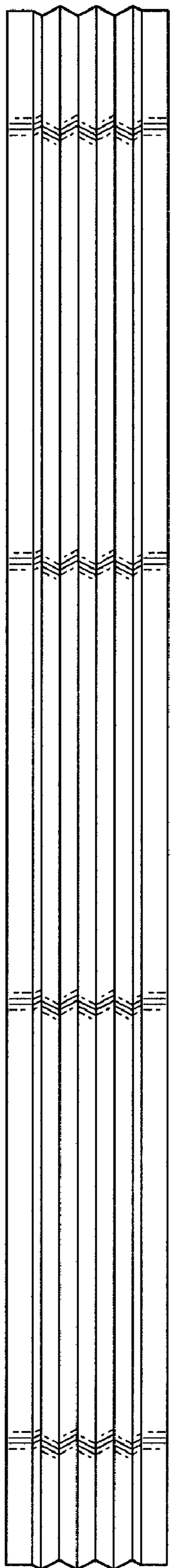


FIG. 3

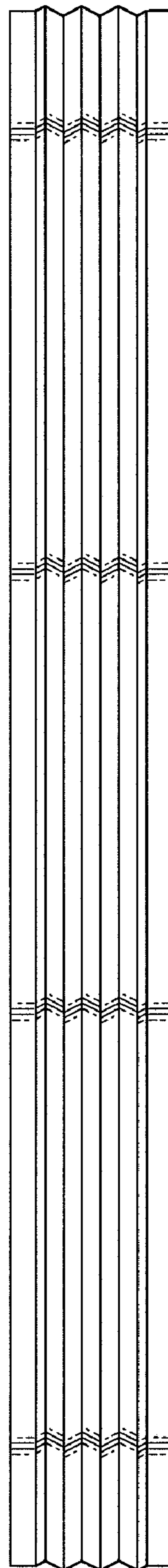


FIG. 4

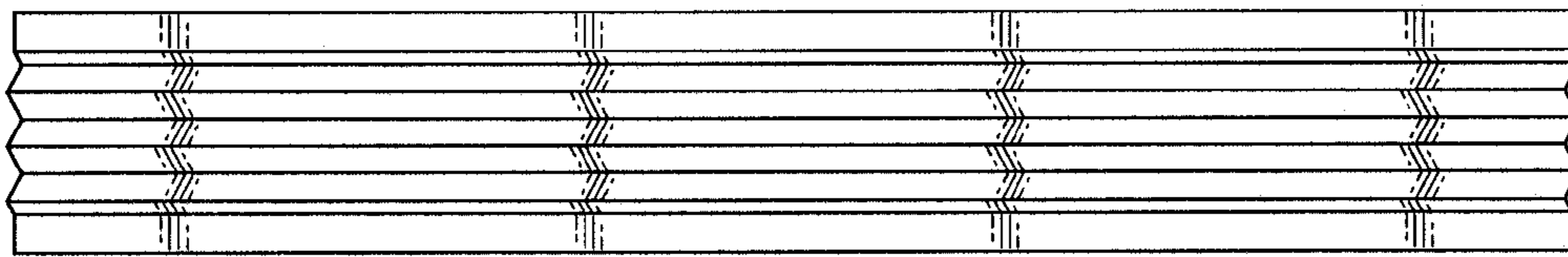


FIG. 6

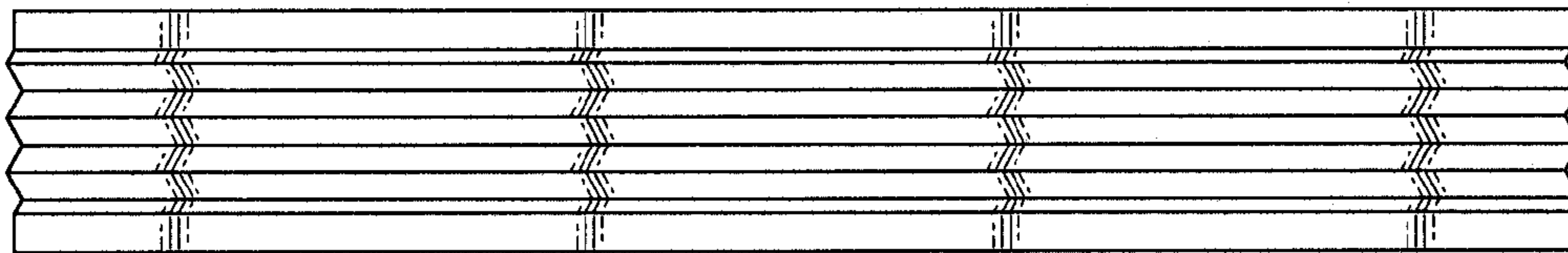


FIG. 5

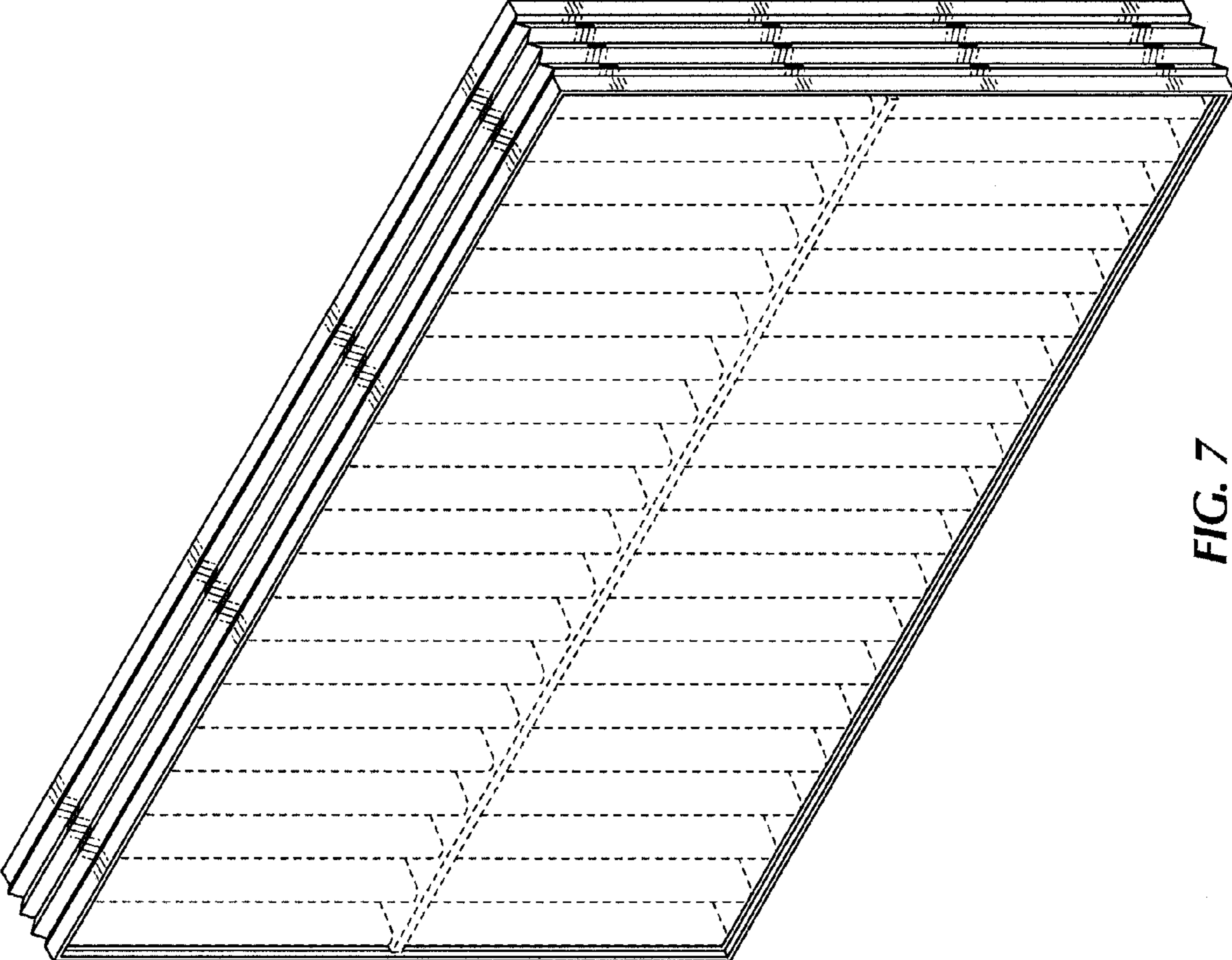


FIG. 7

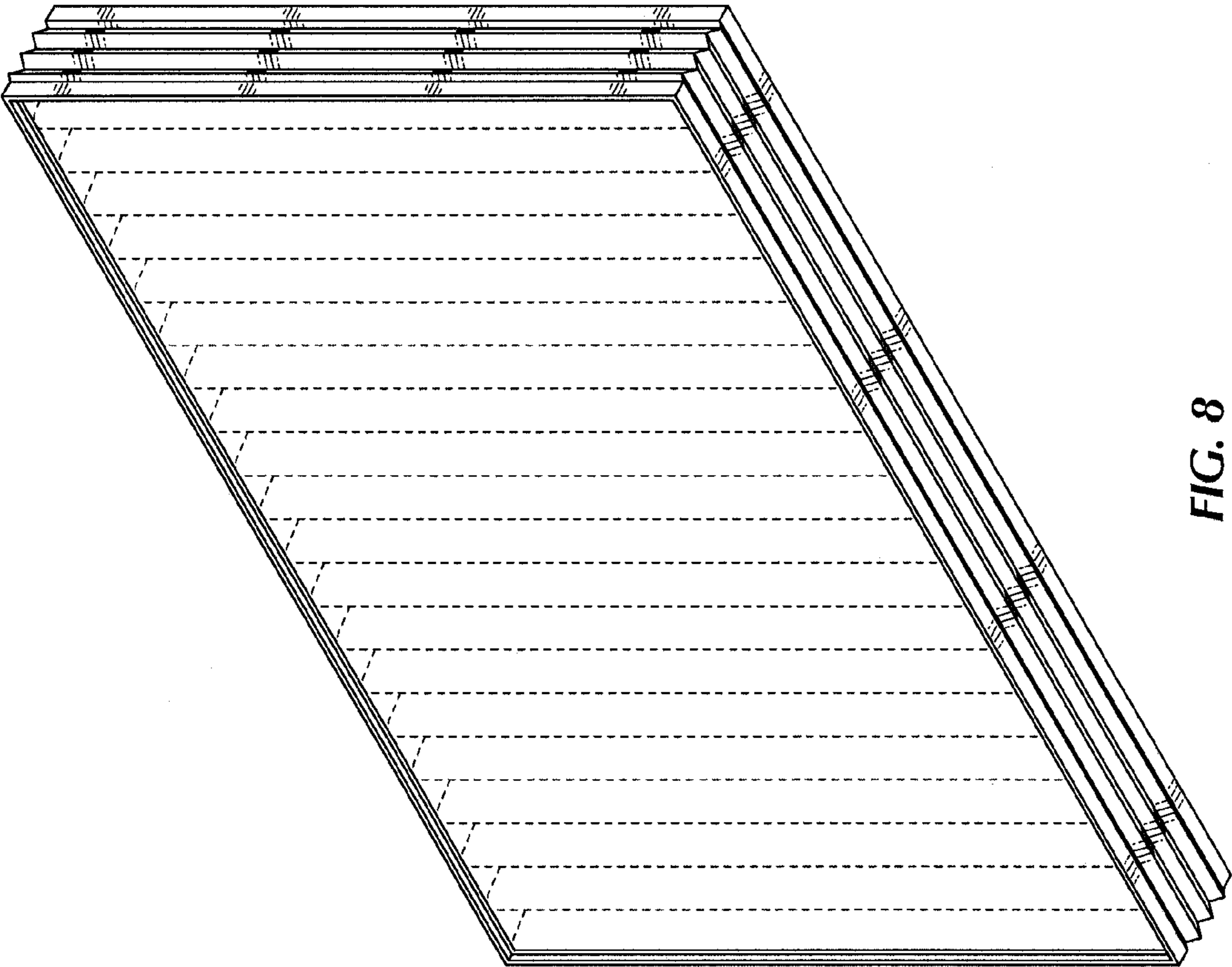


FIG. 8

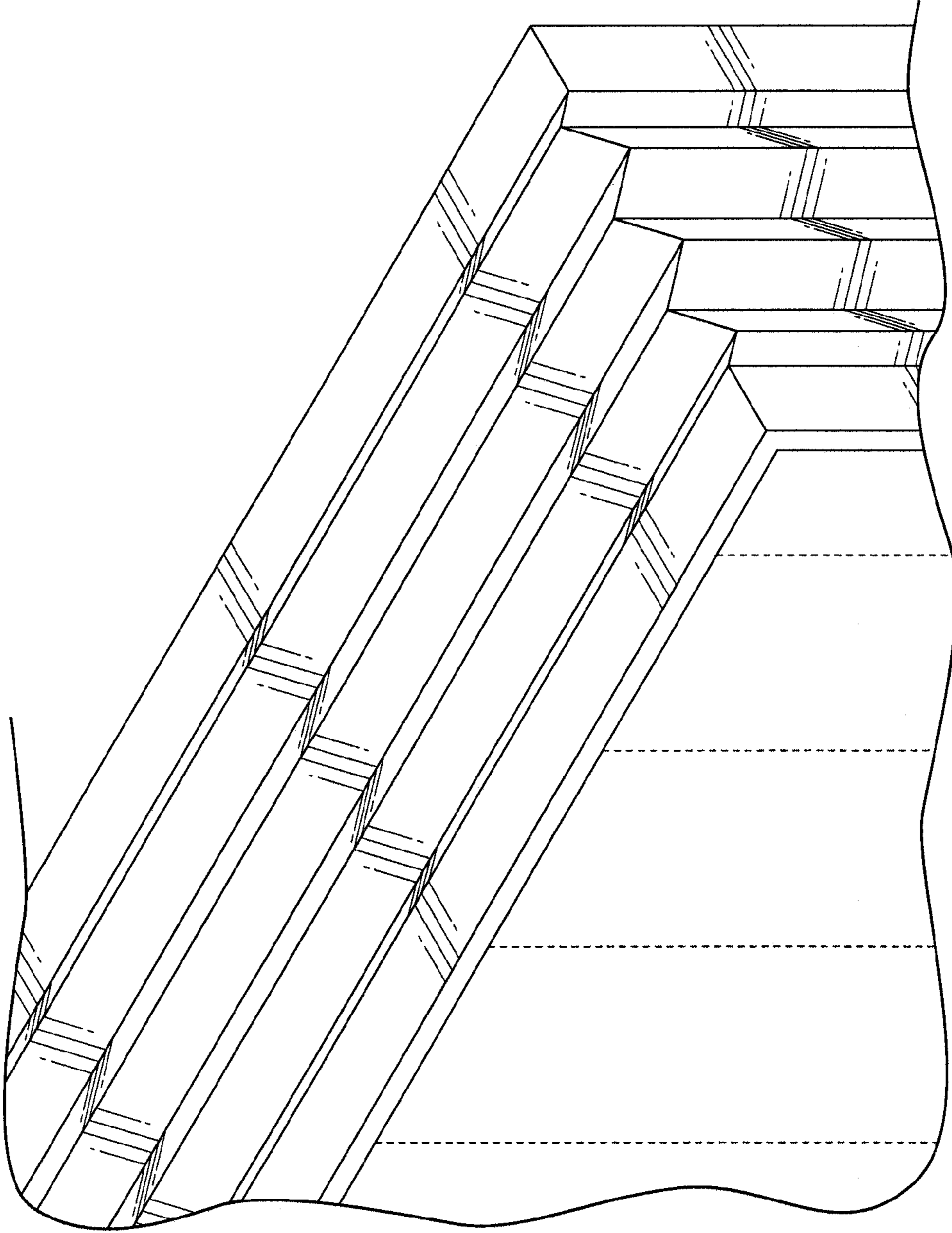


FIG. 9

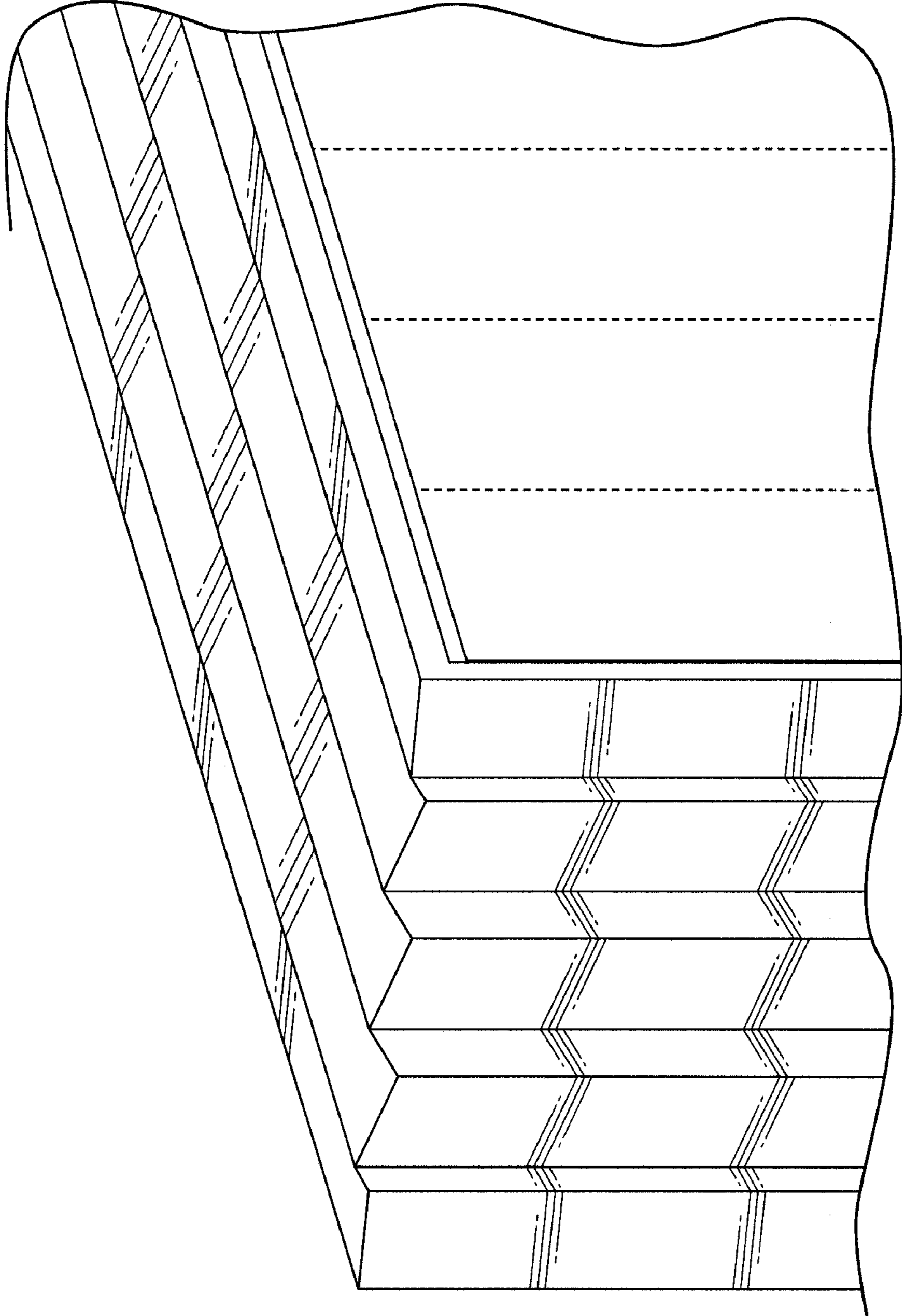


FIG. 10

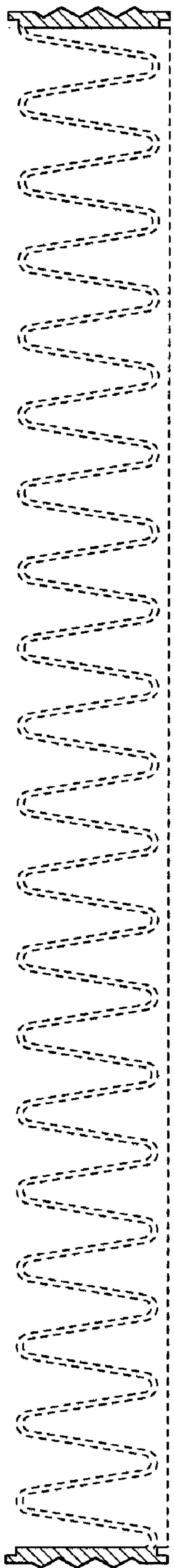


FIG. 11

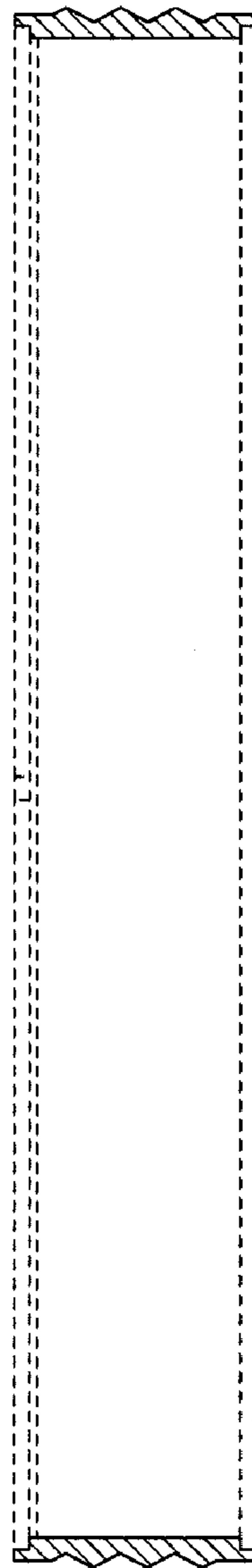


FIG. 12