



US00D605272S

(12) **United States Design Patent**
Chun et al.

(10) **Patent No.:** **US D605,272 S**

(45) **Date of Patent:** **** Dec. 1, 2009**

(54) **DEHUMIDIFIER**

(75) Inventors: **Jae Hung Chun**, Seoul (KR); **Kyu Nam Lee**, Gyeonggi-do (KR); **Jae Won Jeong**, Seoul (KR); **Ji Eun Kim**, Seoul (KR); **Seon Kyu Kim**, Seoul (KR)

(73) Assignee: **LG Electronics Inc.**, Seoul (KR)

(**) Term: **14 Years**

(21) Appl. No.: **29/331,267**

(22) Filed: **Jan. 22, 2009**

(30) **Foreign Application Priority Data**

Jul. 28, 2008 (KR) 30-2008-0032769

(51) **LOC (9) Cl.** **23-04**

(52) **U.S. Cl.** **D23/359**

(58) **Field of Classification Search** D23/364,
D23/355, 356, 359, 360, 366, 369, 332, 333,
D23/335, 342, 351; 422/120, 122; 55/356,
55/473, 504; 96/97; D14/188, 170, 172;
261/DIG. 17, DIG. 65, DIG. 88, DIG. 31;
D18/34.6

See application file for complete search history.

(56) **References Cited**

U.S. PATENT DOCUMENTS

D462,754 S * 9/2002 Briggs et al. D23/364
D536,433 S * 2/2007 Murai D23/364
D537,512 S * 2/2007 Nakajima D23/359
D549,308 S * 8/2007 Chiu D23/333
D550,343 S * 9/2007 Chen D23/364
D557,783 S * 12/2007 Yoo et al. D23/359

D572,352 S * 7/2008 Chiu D23/333
D575,857 S * 8/2008 Chiu D23/333
D578,629 S * 10/2008 Yoo et al. D23/333
D578,632 S * 10/2008 Chen D23/364
D586,451 S * 2/2009 Murai D23/364
D587,794 S * 3/2009 Yoo et al. D23/359
D589,132 S * 3/2009 Chiu D23/333

* cited by examiner

Primary Examiner—T. Chase Nelson

Assistant Examiner—David G Muller

(74) *Attorney, Agent, or Firm*—Morgan, Lewis & Bockius LLP

(57) **CLAIM**

The ornamental design for a dehumidifier, as shown and described.

DESCRIPTION

FIG. 1 is a perspective view of a dehumidifier showing our new design;

FIG. 2 is a front view thereof;

FIG. 3 is a rear view thereof;

FIG. 4 is a left side view thereof where the right side view is a mirror image;

FIG. 5 is a top plan view thereof;

FIG. 6 is a bottom plan view thereof; and,

FIG. 7 is a perspective view thereof showing the state of operating.

The broken lines depict portions of the dehumidifier that form no part of the claimed design.

1 Claim, 6 Drawing Sheets

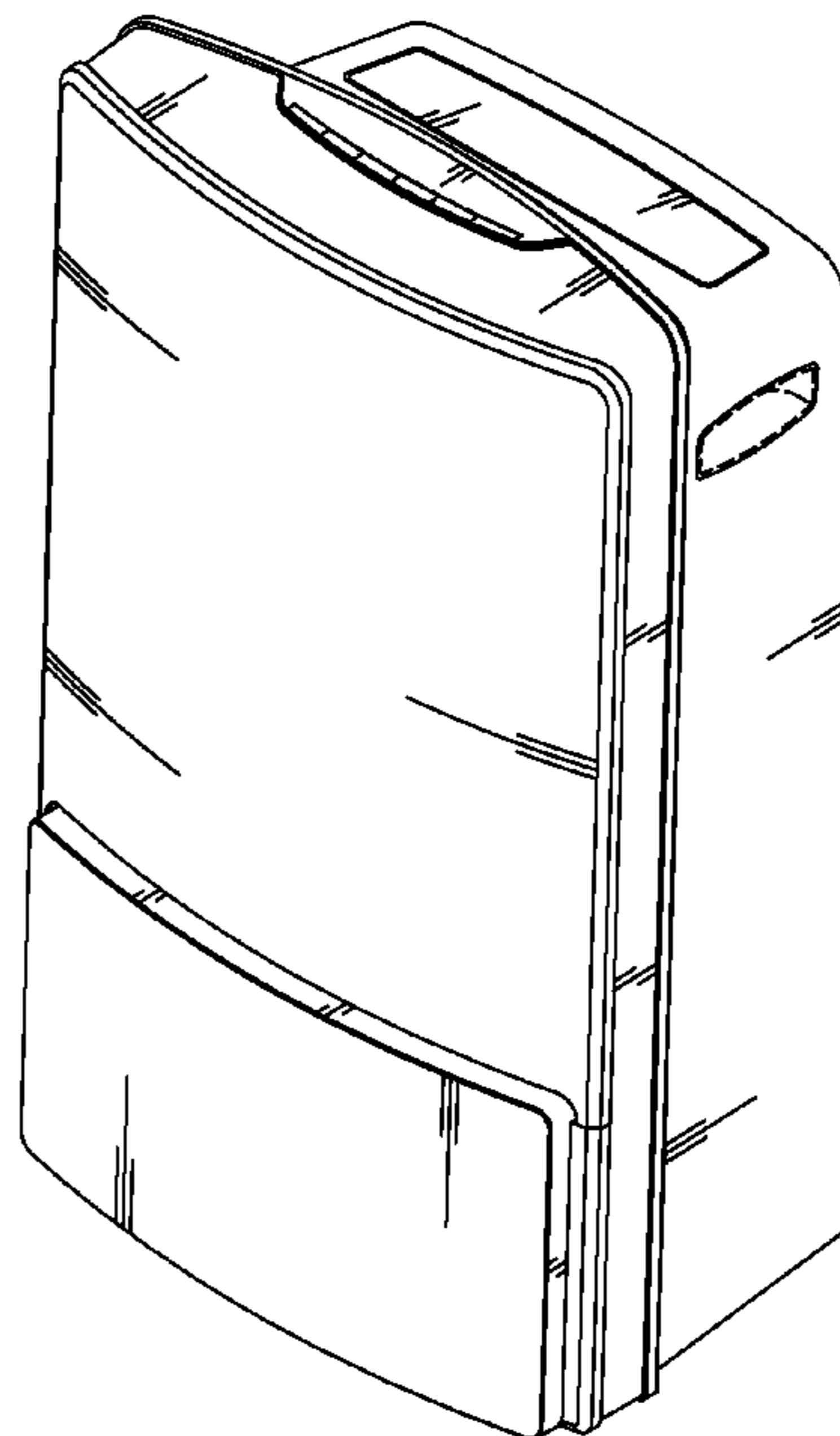


FIG. 1

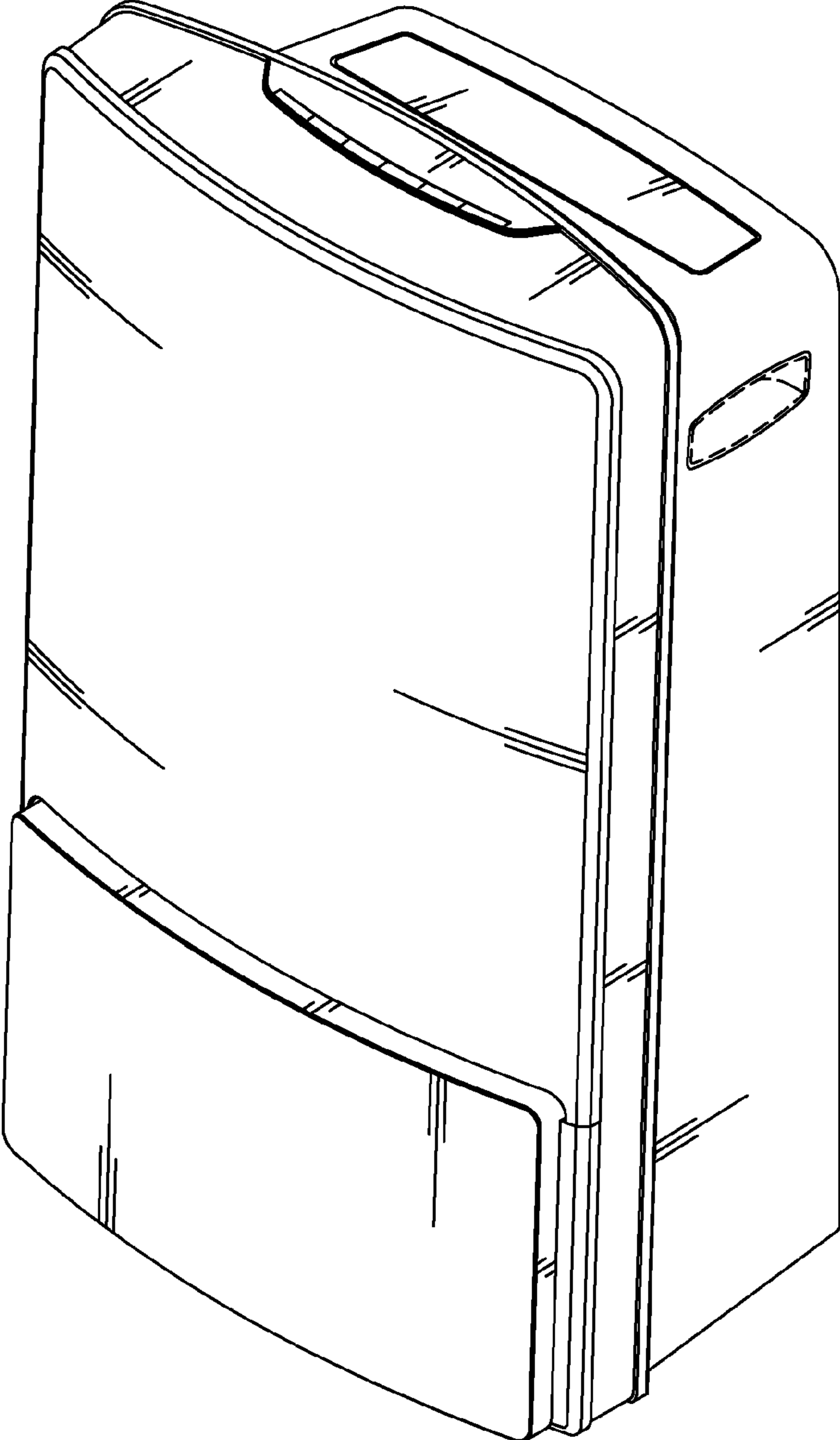


FIG. 2

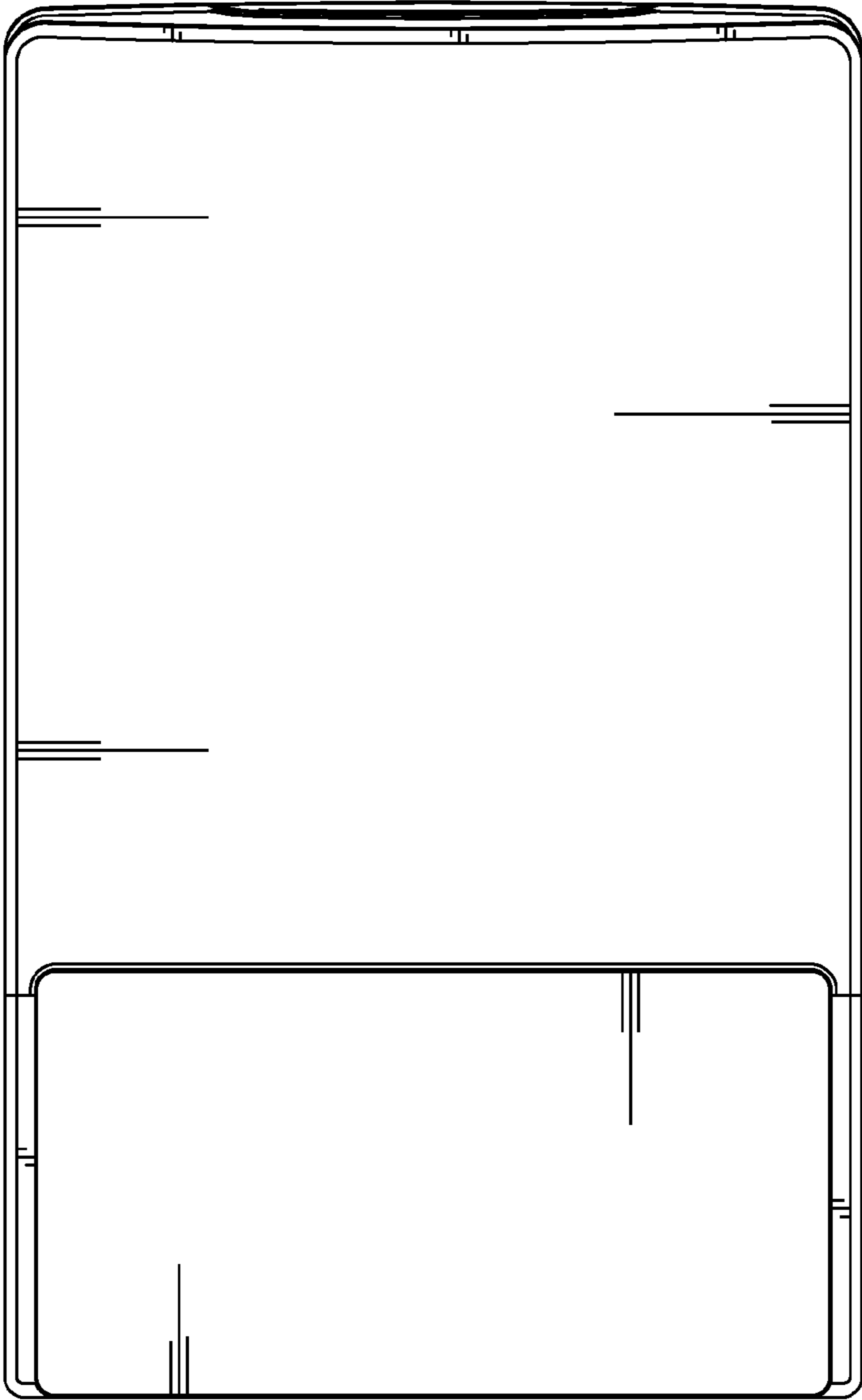


FIG. 3

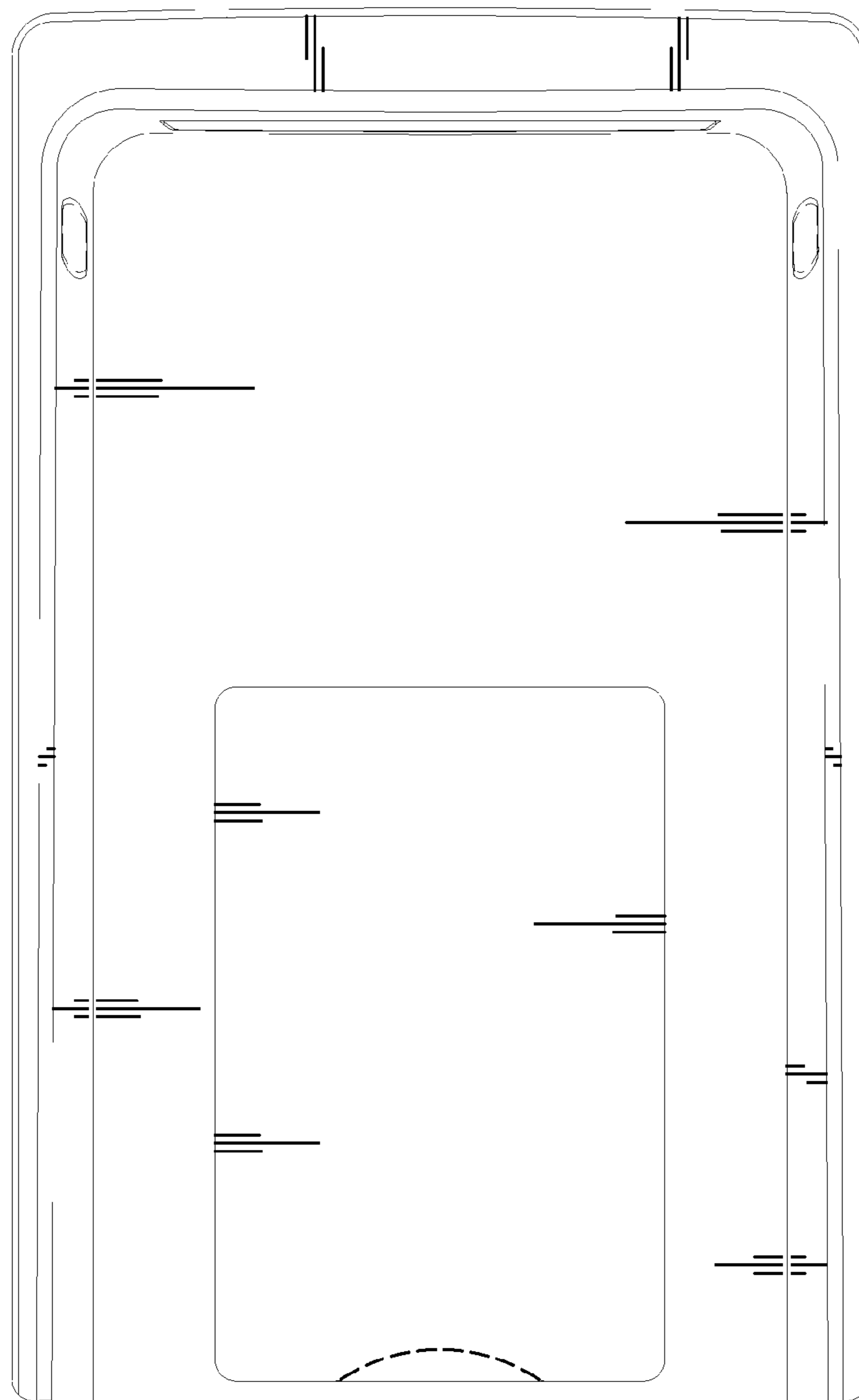


FIG. 4

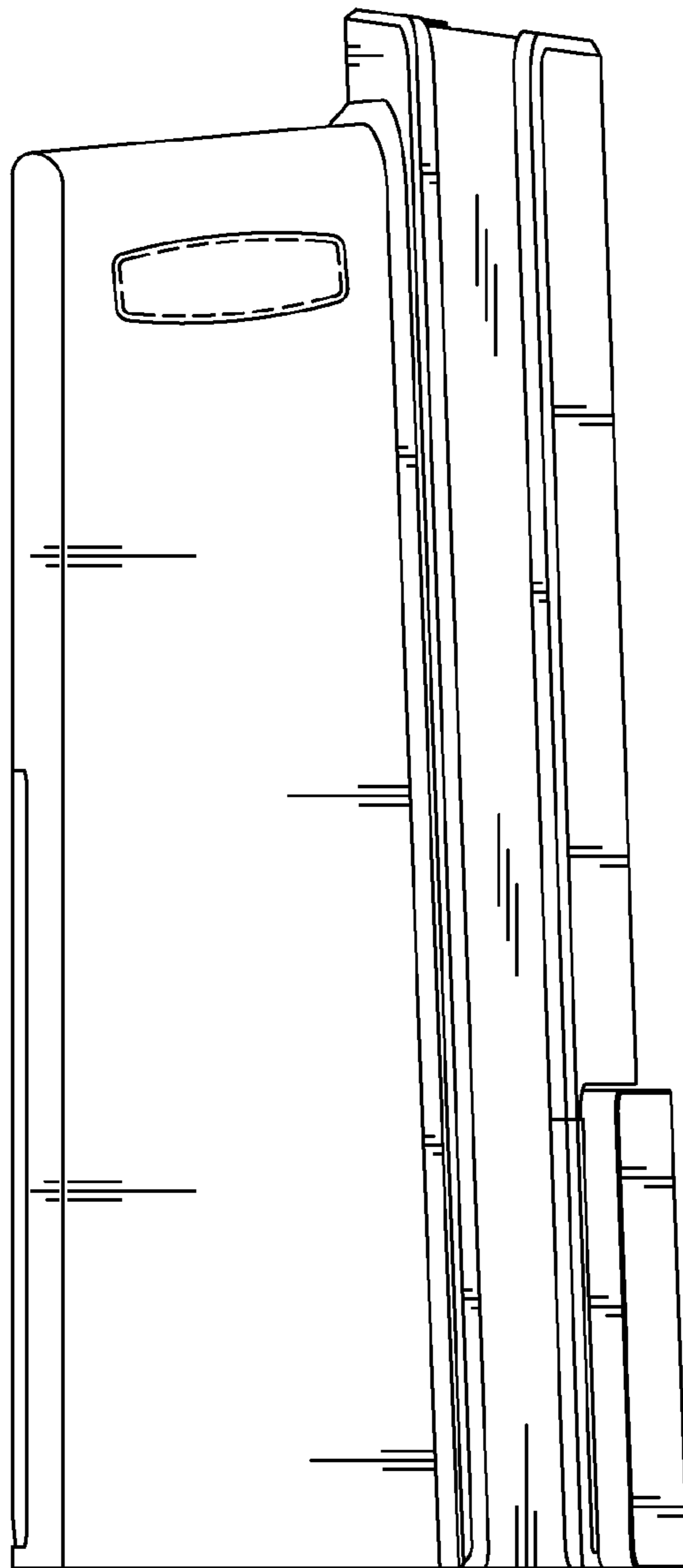


FIG. 5

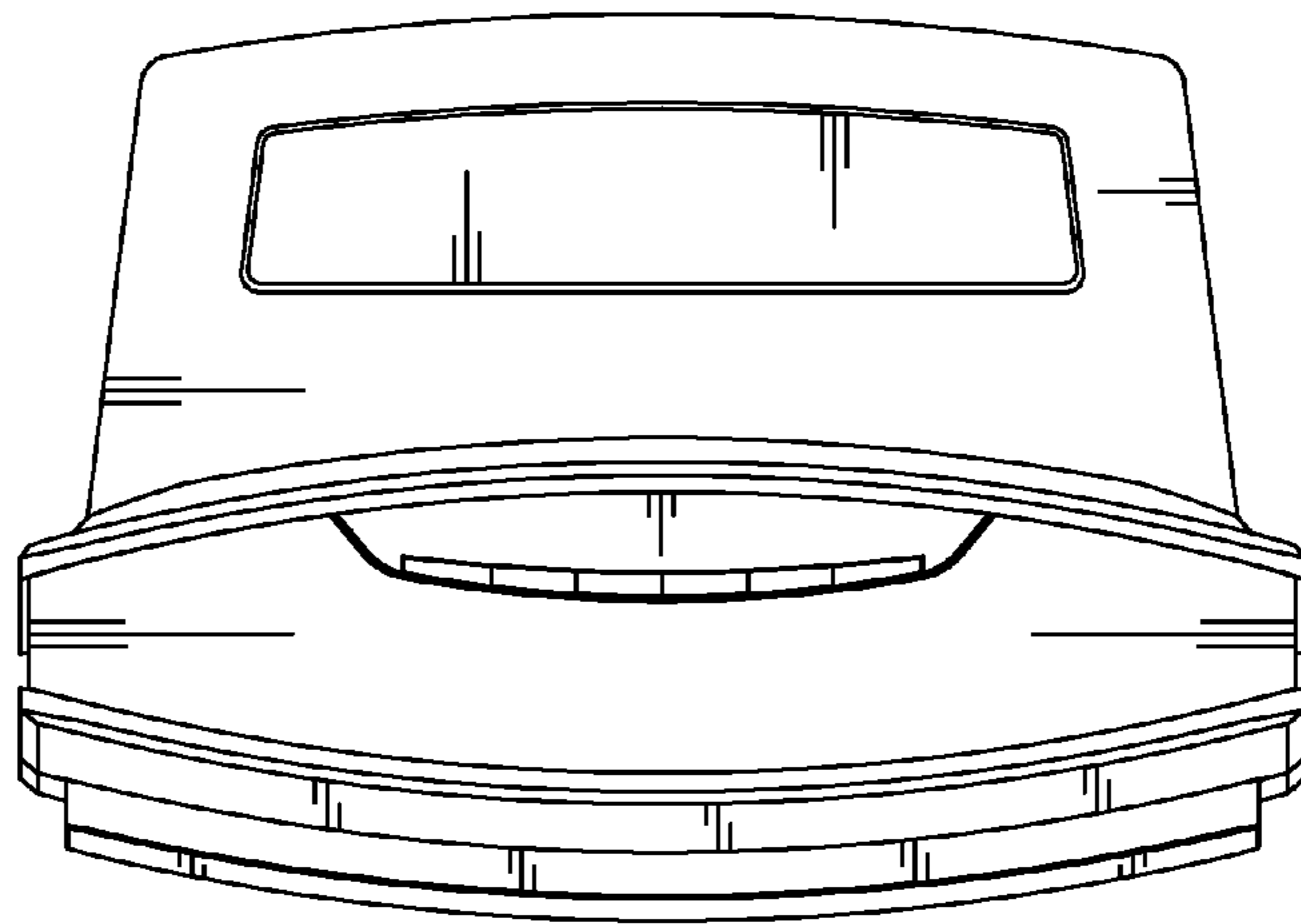


FIG. 6

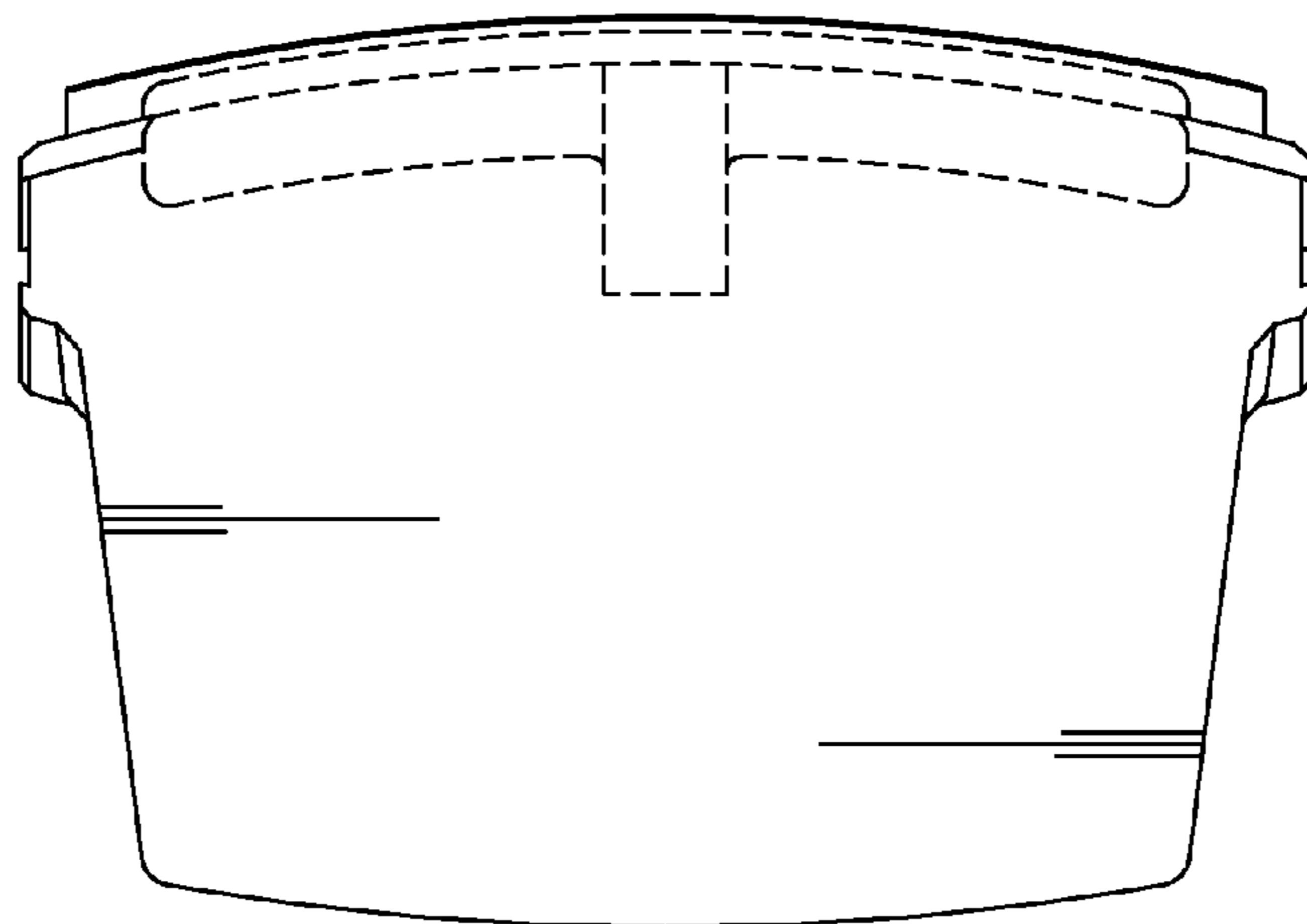


FIG. 7

