



US00D605269S

(12) **United States Design Patent**
Wagner et al.

(10) **Patent No.:** **US D605,269 S**

(45) **Date of Patent:** **** Dec. 1, 2009**

(54) **AIR CONDITIONER**

(75) Inventors: **Wolfgang Wagner**, Hamburg (DE);
Sabine Schober, Hamburg (DE); **Wanjo Koch**, Hamburg (DE)

(73) Assignee: **Daikin Industries Ltd.**, Osaka-Shi,
Osaka (JP)

(**) Term: **14 Years**

(21) Appl. No.: **29/311,873**

(22) Filed: **Jul. 21, 2009**

(30) **Foreign Application Priority Data**

Apr. 17, 2009 (JP) 2009-0080954

(51) **LOC (9) Cl.** **23-04**

(52) **U.S. Cl.** **D23/351**

(58) **Field of Classification Search** D23/351-354;
312/236; 62/259.1, 259.4, 262-263, 304;
454/330-331, 349-350

See application file for complete search history.

(56) **References Cited**

U.S. PATENT DOCUMENTS

D465,016 S *	10/2002	Nanjo et al.	D23/351
D502,255 S *	2/2005	Kim	D23/351
D539,883 S *	4/2007	Lee et al.	D23/351
D556,879 S *	12/2007	Lee	D23/351
D557,393 S *	12/2007	Yoo et al.	D23/351
D580,033 S *	11/2008	Seki	D23/351

D584,806 S *	1/2009	Oh et al.	D23/351
D591,409 S *	4/2009	Kashimoto	D23/351
D594,538 S *	6/2009	Tsuji	D23/351
D599,454 S *	9/2009	Alexanderson	D23/351
D599,455 S *	9/2009	Alexanderson	D23/351

* cited by examiner

Primary Examiner—Brian N Vinson

(74) *Attorney, Agent, or Firm*—Manabu Kanesaka

(57) **CLAIM**

The ornamental design for an air conditioner, as shown and described.

DESCRIPTION

FIG. 1 is a perspective view of an air conditioner showing our new design;

FIG. 2 is a front view thereof;

FIG. 3 is a rear view thereof;

FIG. 4 is a plan view thereof;

FIG. 5 is a bottom view thereof;

FIG. 6 is a right side view thereof;

FIG. 7 is a left side view thereof;

FIG. 8 is an enlarged sectional view thereof taken along line 8—8 in FIG. 4, wherein the internal mechanism is omitted; and,

FIG. 9 is another perspective view thereof in a state of operation.

1 Claim, 7 Drawing Sheets

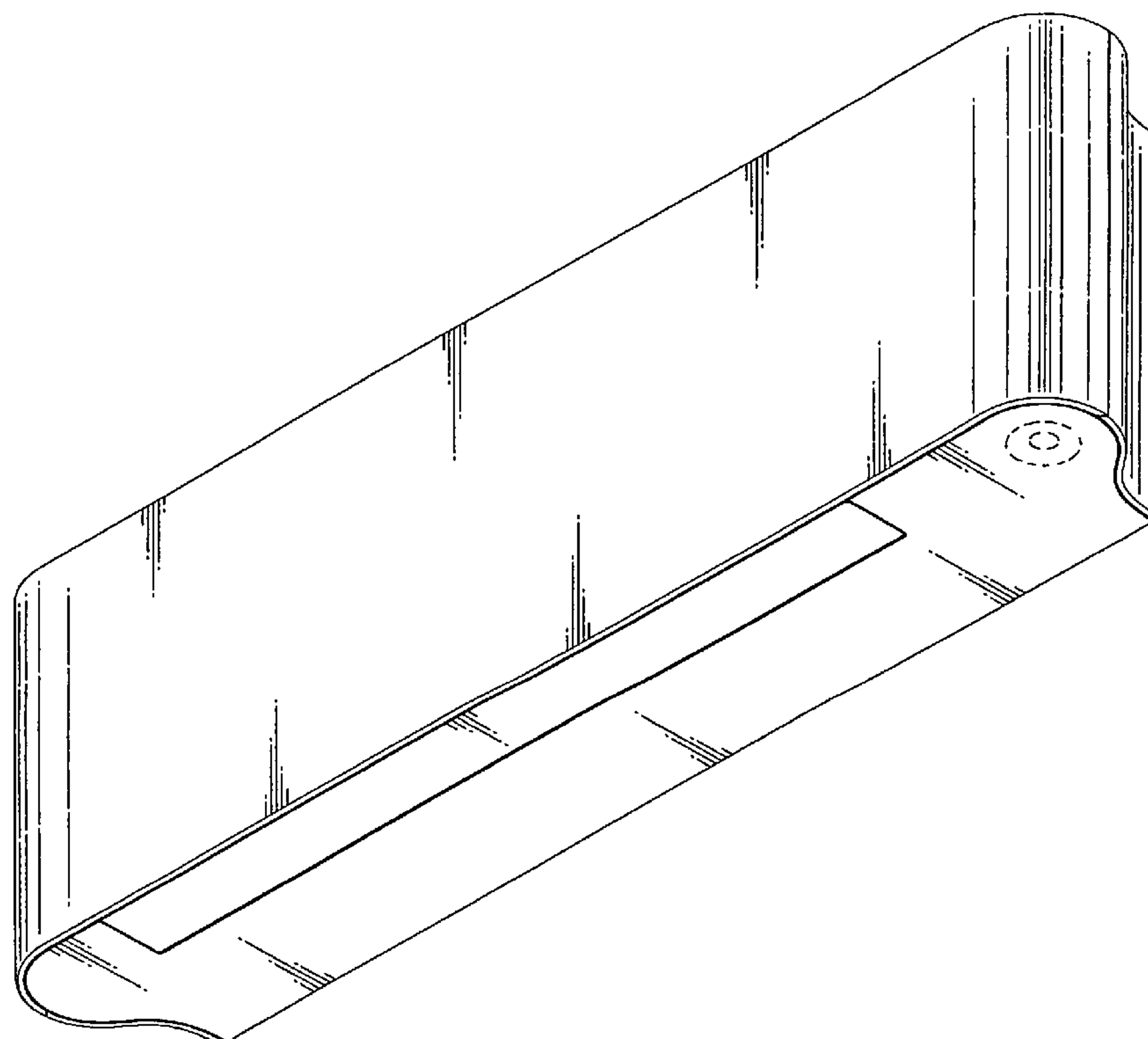


FIG.1

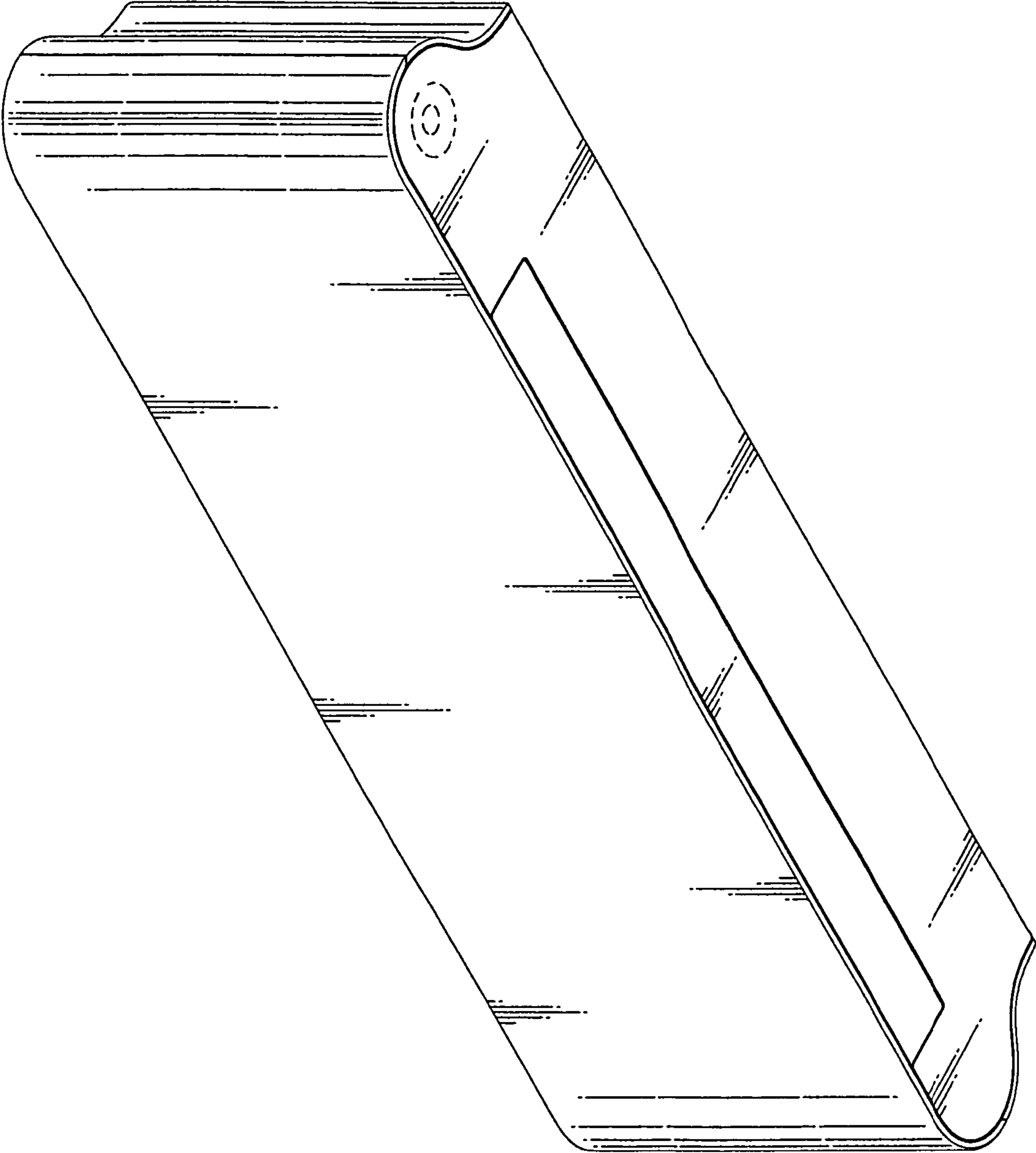


FIG.2

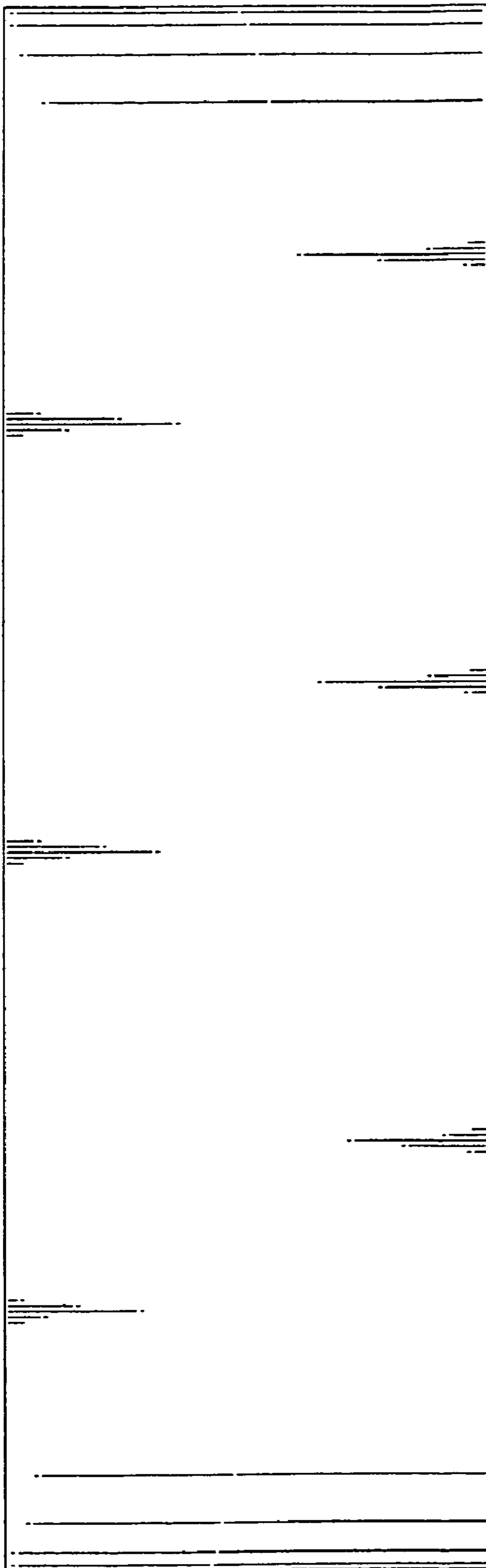


FIG.3

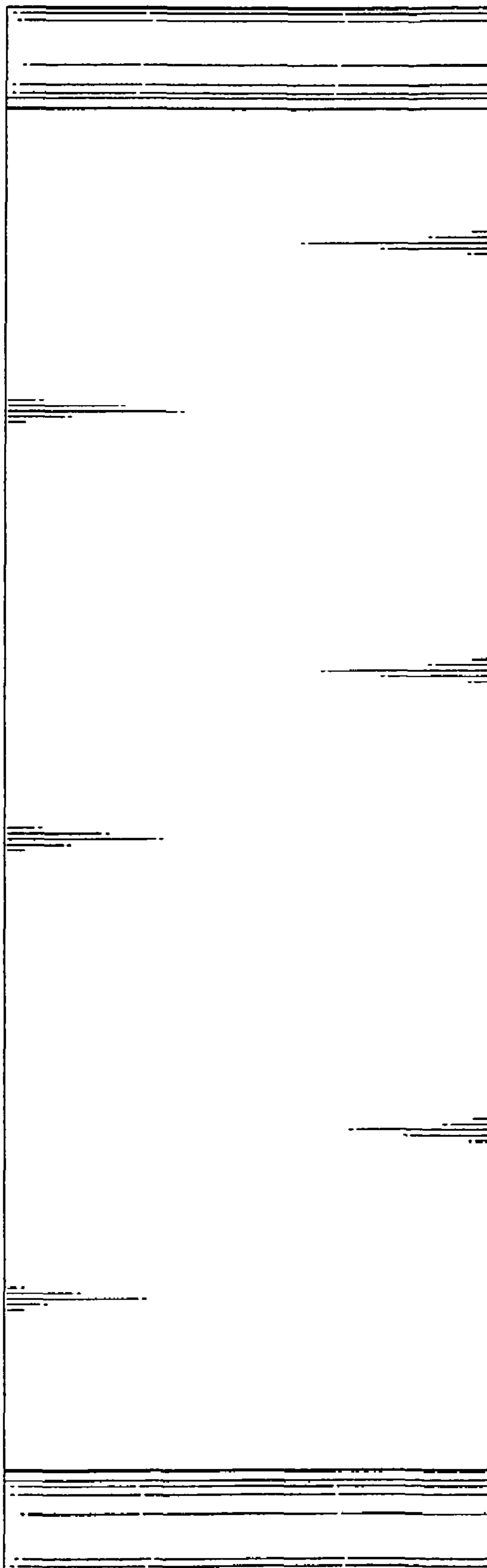


FIG.4

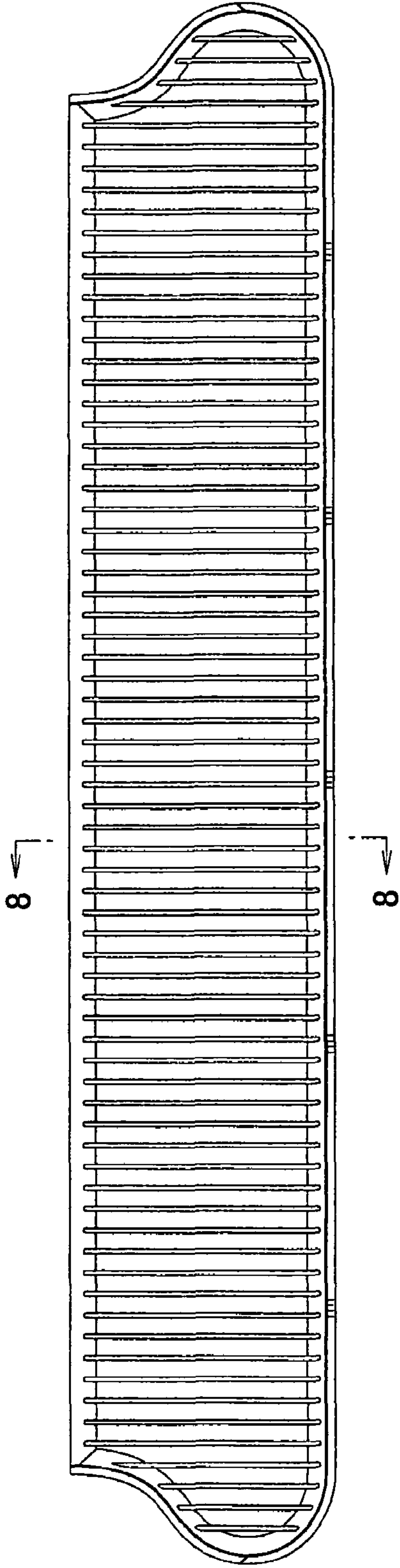


FIG.5

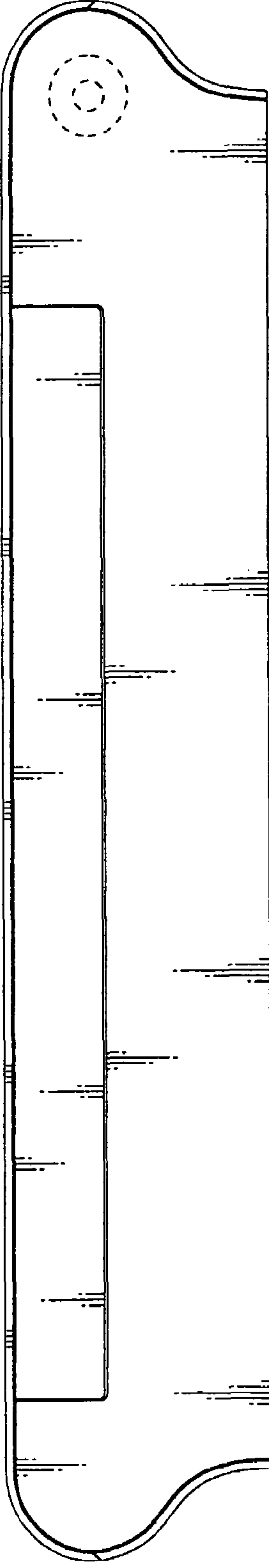


FIG.7

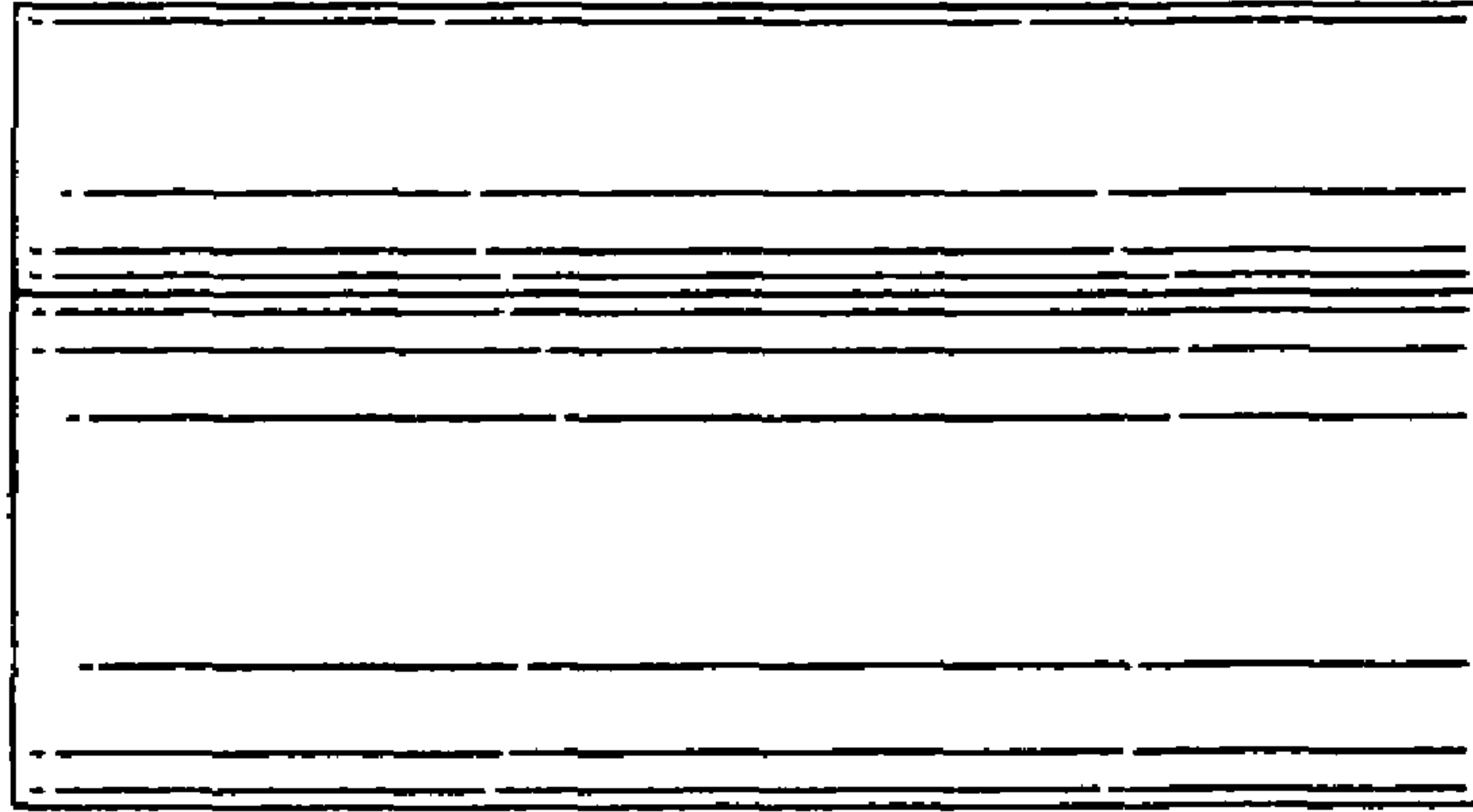


FIG.6

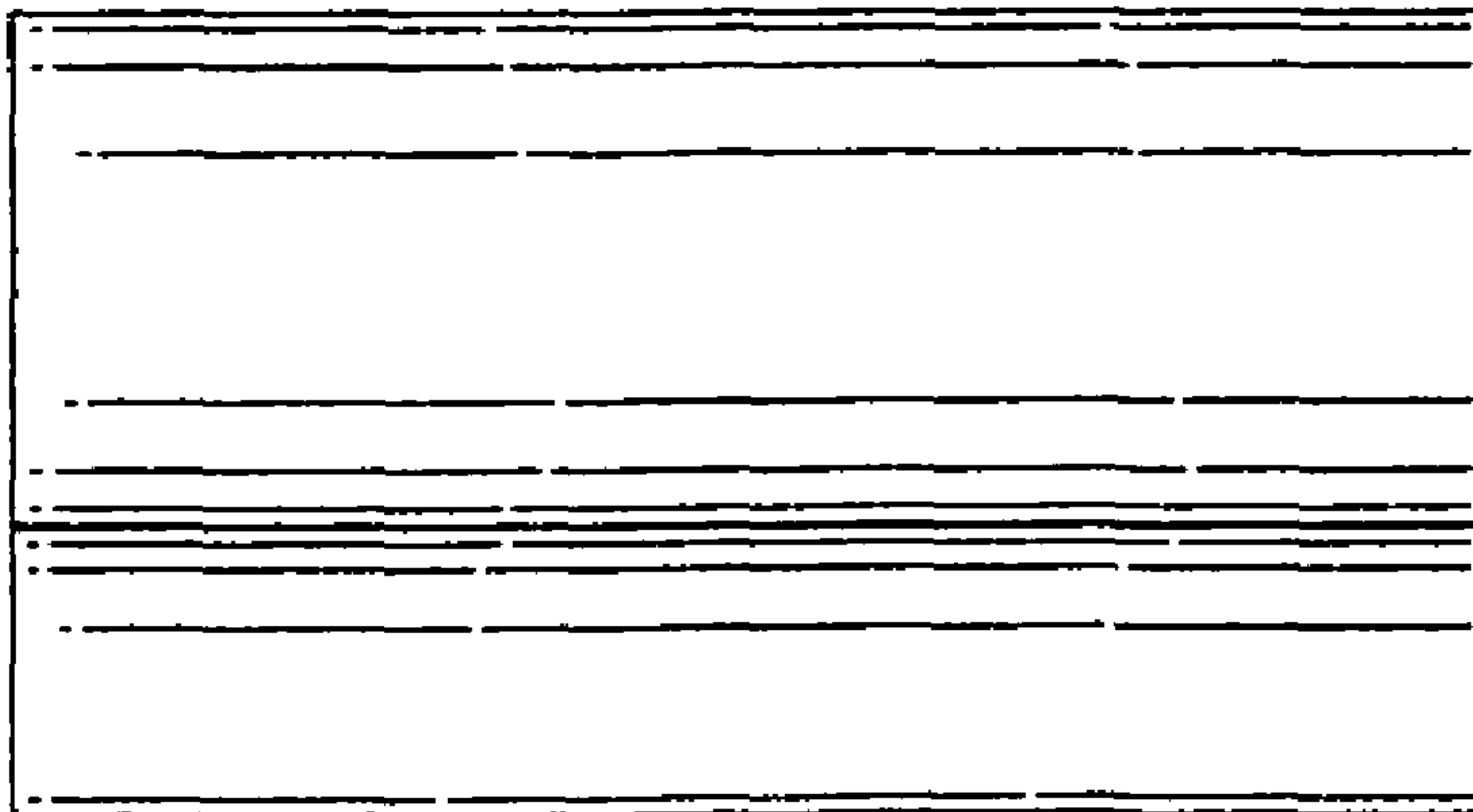


FIG.8

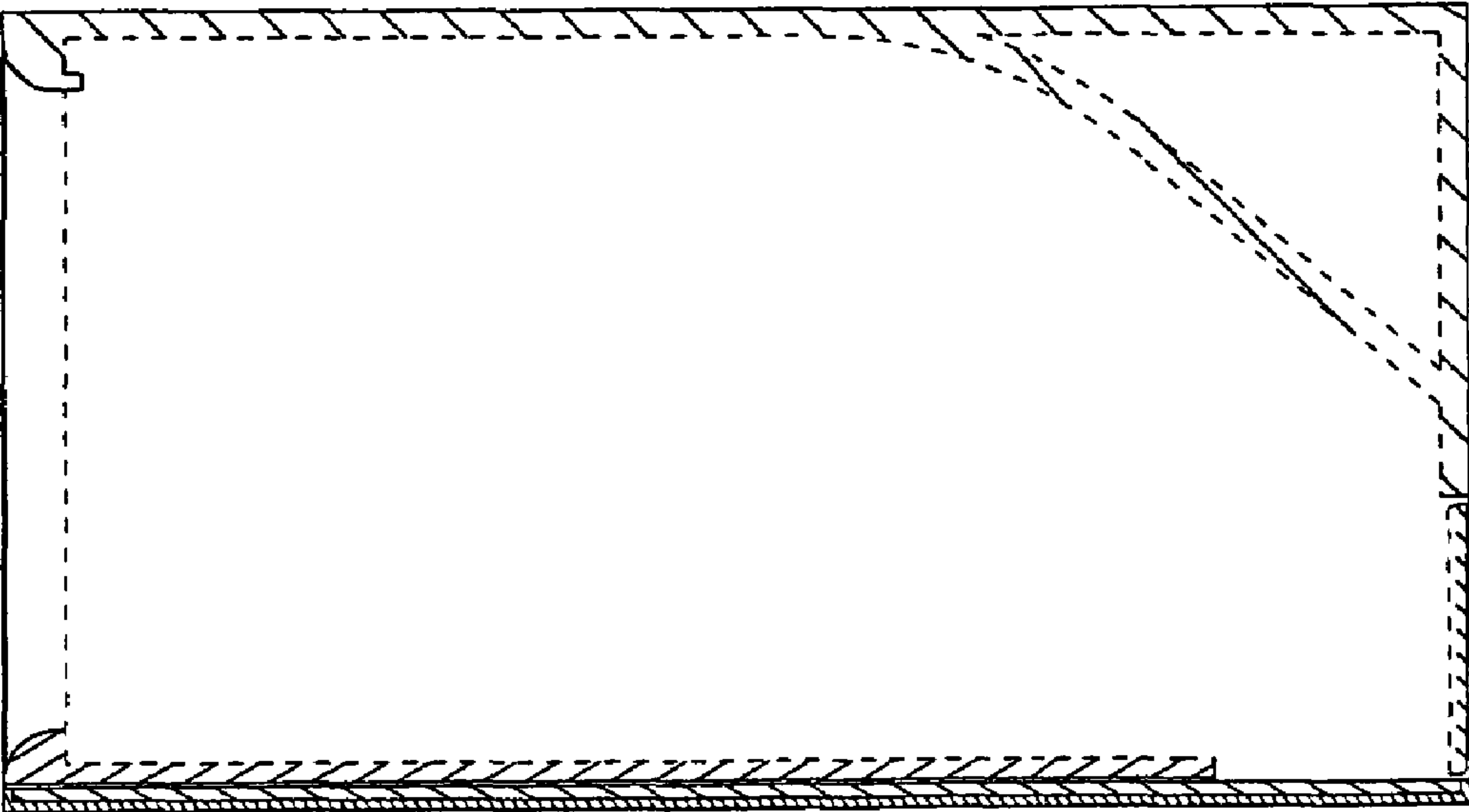
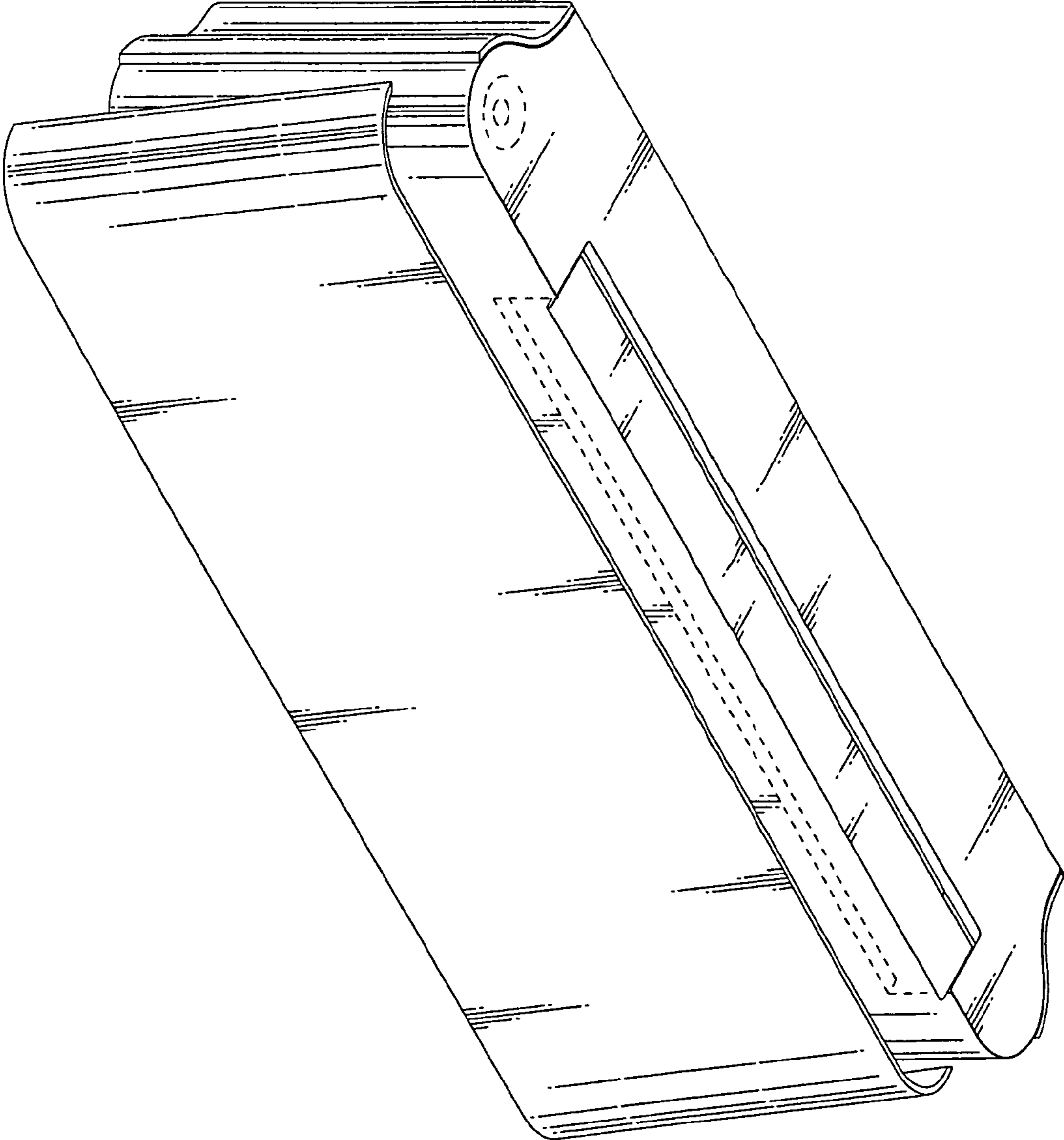


FIG.9



UNITED STATES PATENT AND TRADEMARK OFFICE
CERTIFICATE OF CORRECTION

PATENT NO. : Des. 605,269 S
APPLICATION NO. : 29/311873
DATED : December 1, 2009
INVENTOR(S) : Wolfgang Wagner et al.

Page 1 of 1

It is certified that error appears in the above-identified patent and that said Letters Patent is hereby corrected as shown below:

Title page, change item (30) Foreign Application Priority Data, "2009-0080954" to
--2009-008954--.

Signed and Sealed this

Nineteenth Day of January, 2010

A handwritten signature in black ink that reads "David J. Kappos". The signature is written in a cursive style with a large initial 'D' and a stylized 'K'.

David J. Kappos
Director of the United States Patent and Trademark Office