

US00D605263S

(12) **United States Design Patent**  
**Nelson et al.**

(10) **Patent No.:** **US D605,263 S**  
(45) **Date of Patent:** **\*\* Dec. 1, 2009**

(54) **HYBRID ELECTRIC WATER HEATER**

(75) Inventors: **Jonathan D. Nelson**, Louisville, KY (US); **Norman J. Boulard**, Louisville, KY (US); **Susan Elizabeth Gregory**, Louisville, KY (US)

(73) Assignee: **General Electric Company**, Schenectady, NY (US)

(\*\*) Term: **14 Years**

(21) Appl. No.: **29/332,362**

(22) Filed: **Feb. 13, 2009**

(51) **LOC (9) Cl.** ..... **23-03**

(52) **U.S. Cl.** ..... **D23/318**

(58) **Field of Classification Search** ..... D23/318,  
D23/322, 319, 320, 321, 334; 126/361, 35 R;  
122/13.2, 14, 15, 19.2; 392/449, 451, 454  
See application file for complete search history.

(56) **References Cited**

**U.S. PATENT DOCUMENTS**

D108,706 S	*	3/1938	Sands	.....	D23/318
D300,352 S	*	3/1989	Ronvik	.....	D23/318
D310,260 S	*	8/1990	Gauer et al.	.....	D23/321
D388,868 S	*	1/1998	Vago et al.	.....	D23/318
D400,971 S	*	11/1998	Vago et al.	.....	D23/318

**OTHER PUBLICATIONS**

U.S. Appl. No. 12/371,571, filed Feb. 13, 2009, "Heat Pump Water Control".

U.S. Appl. No. 12/371,572, filed Feb. 13, 2009, "Residential Heat Pump Water Heater".

\* cited by examiner

*Primary Examiner*—T. Chase Nelson

*Assistant Examiner*—Ania K Dworzecka

(74) *Attorney, Agent, or Firm*—Fay Sharpe LLP

(57) **CLAIM**

The ornamental design for an hybrid electric water heater, as shown and described.

**DESCRIPTION**

FIG. 1 is a perspective/isometric view of the hybrid electric water heater;

FIG. 2 is a front elevational view thereof;

FIG. 3 is a right side elevational view thereof;

FIG. 4 is a left side elevational view thereof;

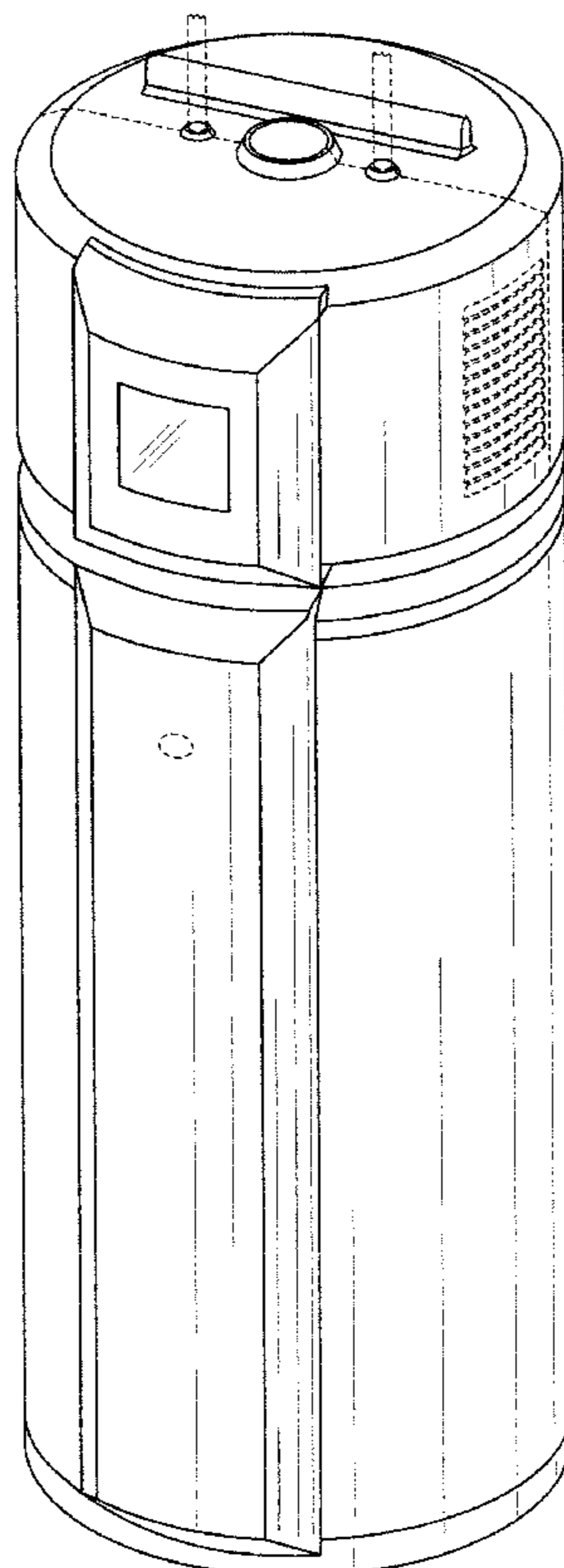
FIG. 5 is rear elevational view thereof;

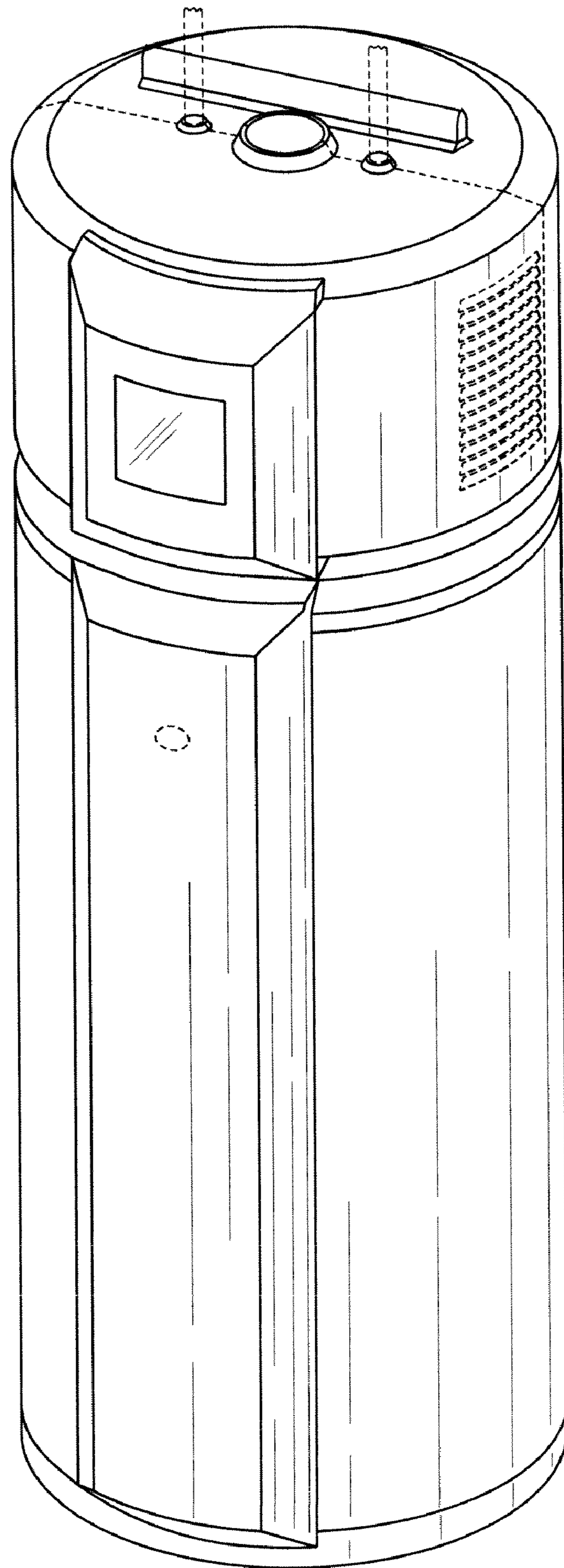
FIG. 6 is a top plan view thereof; and,

FIG. 7 is a bottom view thereof.

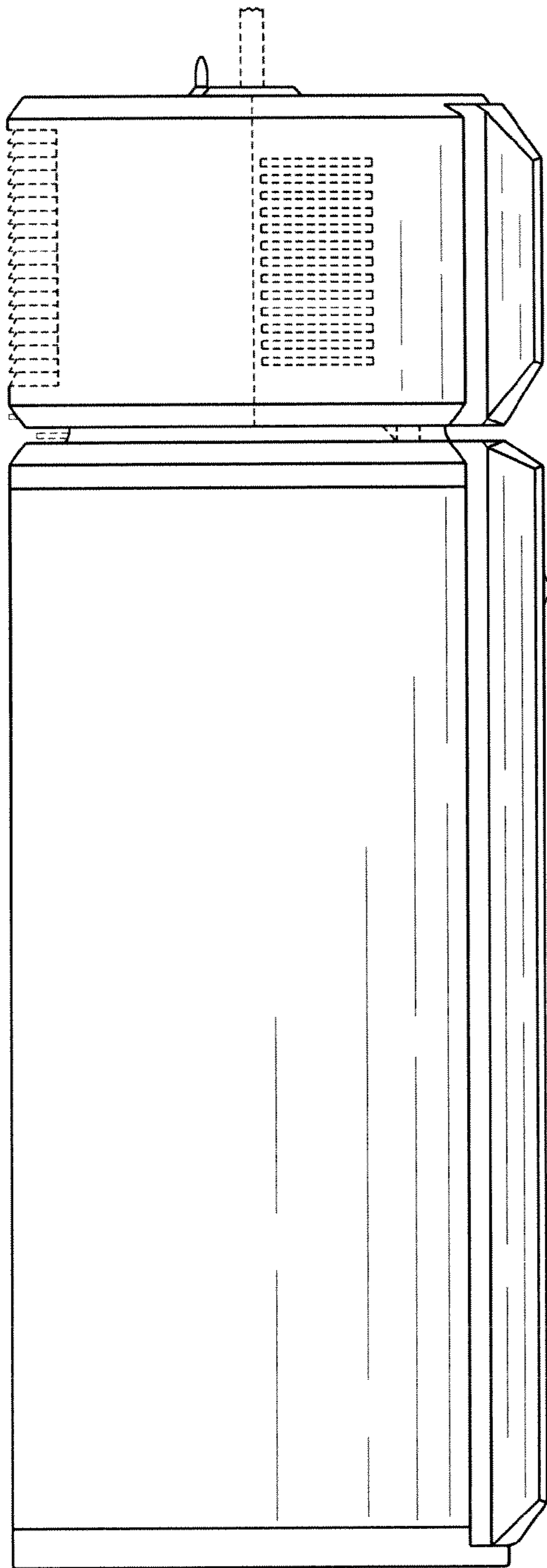
Those portions of the drawings shown in broken lines form no part of the claimed design.

**1 Claim, 4 Drawing Sheets**

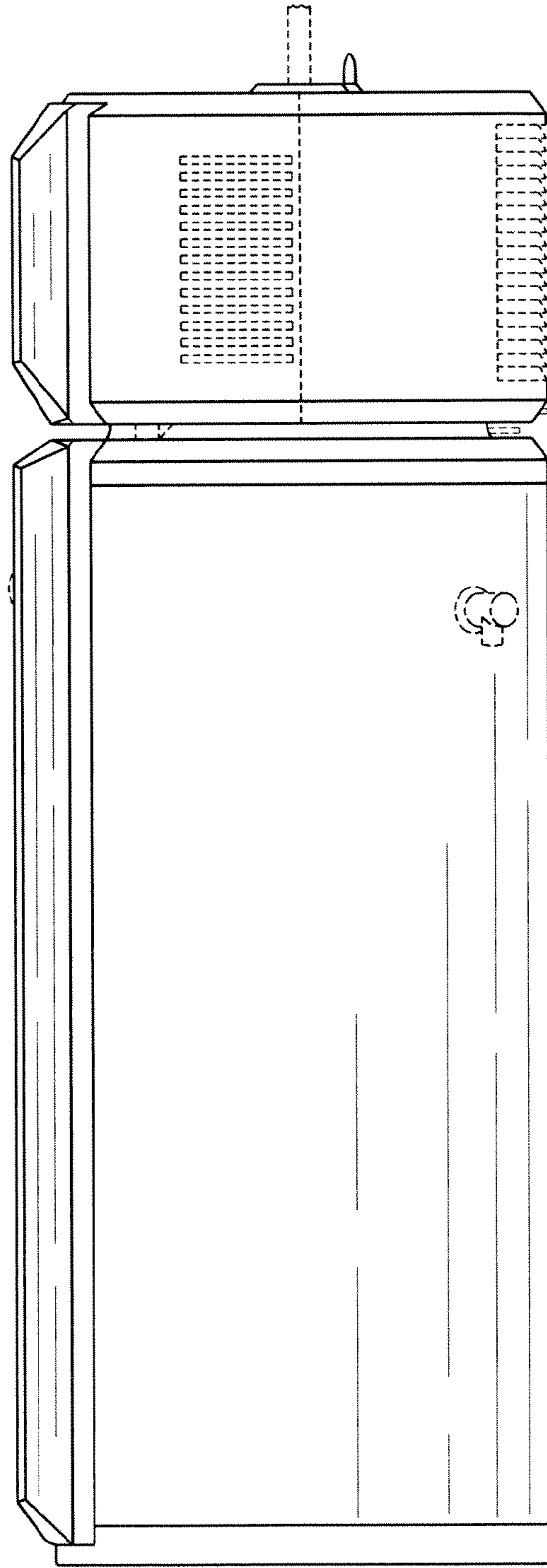




*Fig. 1*



*Fig. 2*



*Fig. 3*

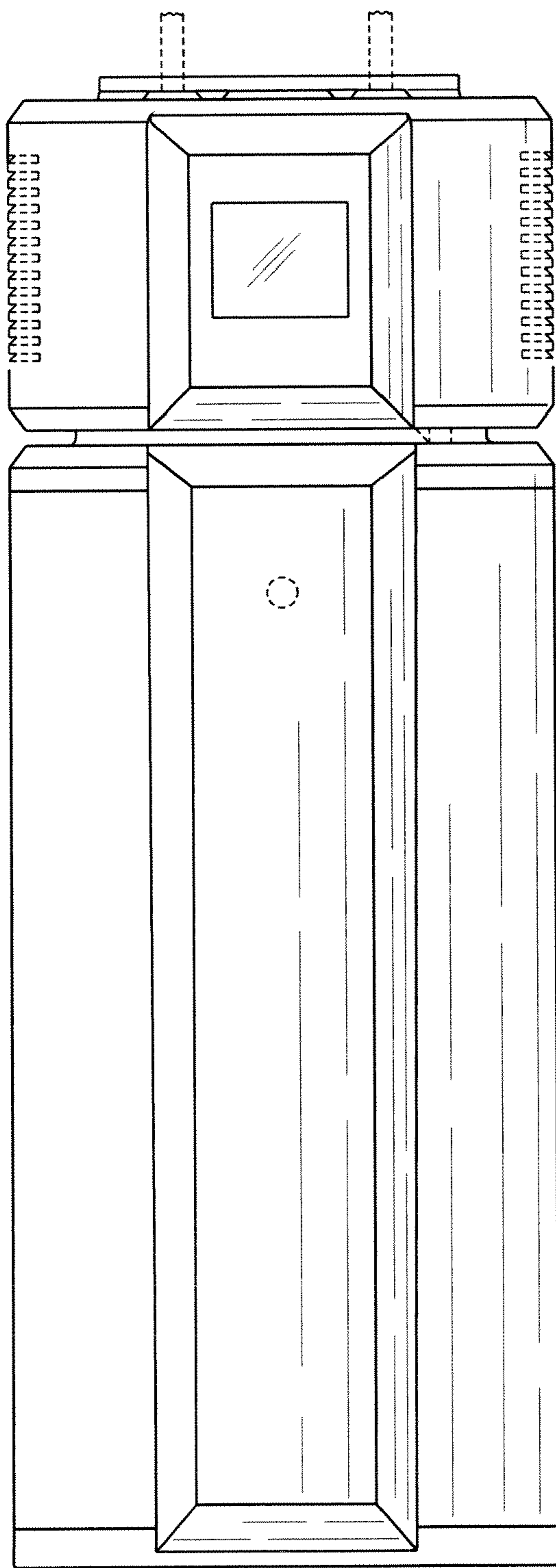


Fig. 4

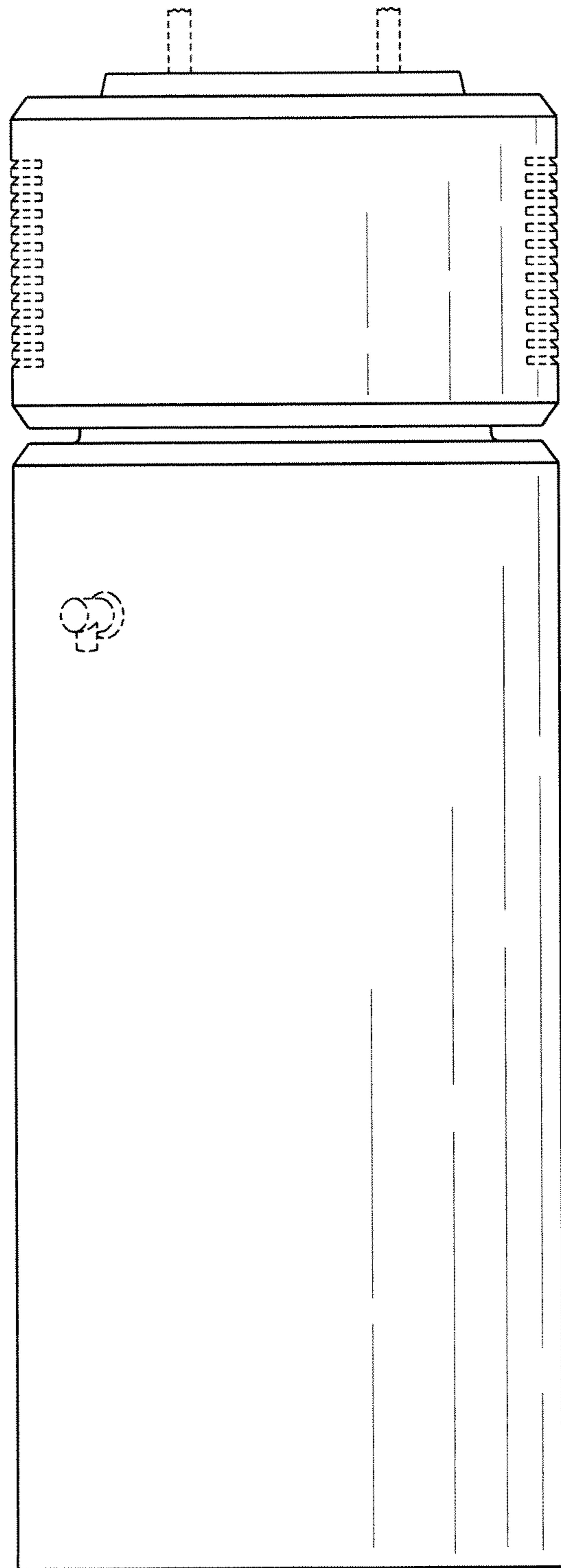
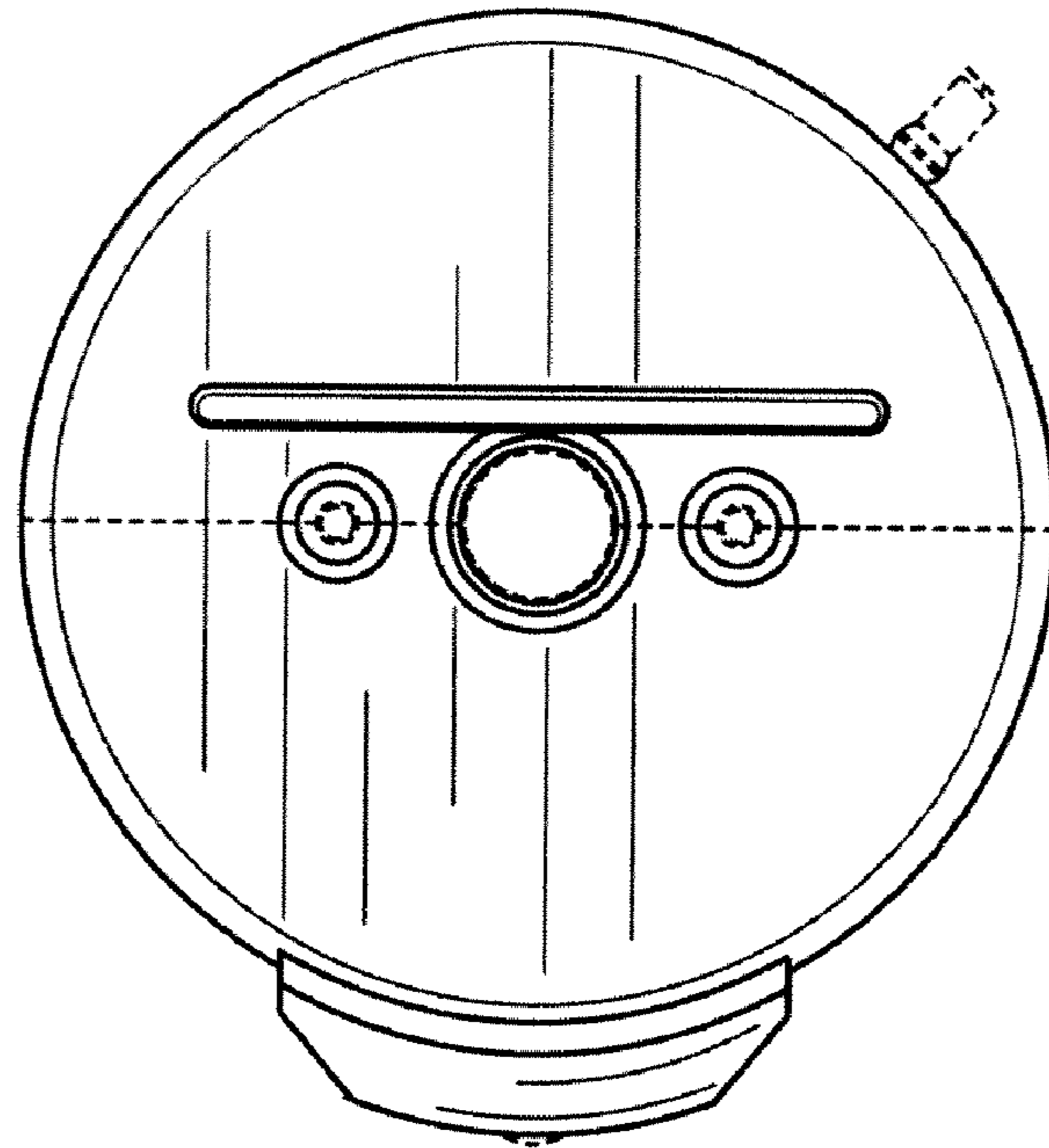
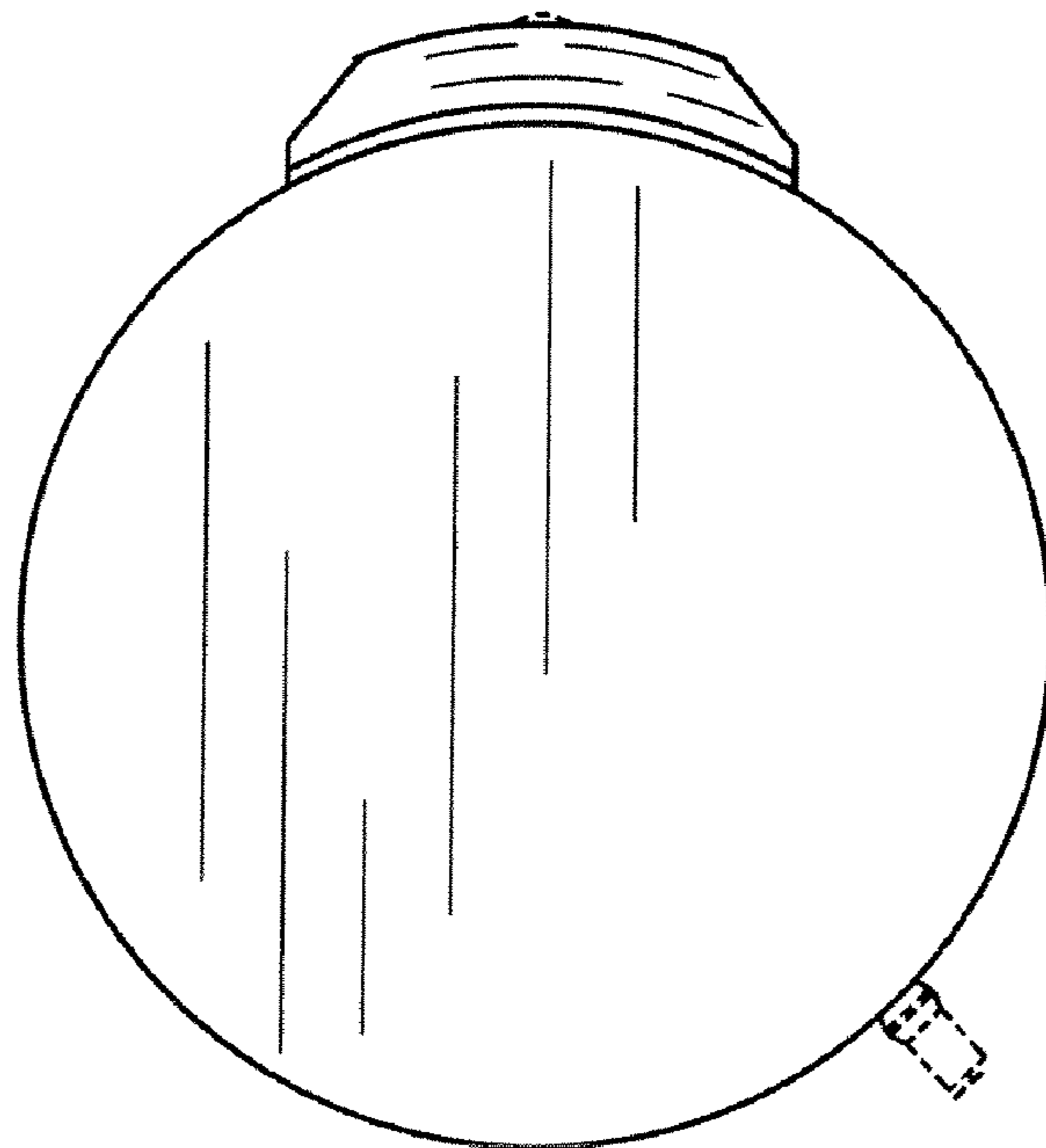


Fig. 5



*Fig. 6*



*Fig. 7*