



US00D605260S

(12) **United States Design Patent**  
**Allard**

(10) **Patent No.:** **US D605,260 S**

(45) **Date of Patent:** **\*\* Dec. 1, 2009**

(54) **PROFESSIONAL SPRAY SINK MIXER**

(75) Inventor: **Jochen Allard**, Menden (DE)

(73) Assignee: **Grohe AG**, Hemer (DE)

(\*\*) Term: **14 Years**

(21) Appl. No.: **29/328,149**

(22) Filed: **Nov. 19, 2008**

(30) **Foreign Application Priority Data**

May 22, 2008 (EM) ..... 000938949-0007

(51) **LOC (9) Cl.** ..... **23-01**

(52) **U.S. Cl.** ..... **D23/255**

(58) **Field of Classification Search** ..... D23/239-243,  
D23/250, 254, 255, 257; 4/675-678; 137/801;  
16/110.1; D8/300, 307-312; D6/512, 524,  
D6/546, 550

See application file for complete search history.

(56) **References Cited**

U.S. PATENT DOCUMENTS

D534,990 S *	1/2007	Zhou	.....	D23/238
D557,380 S *	12/2007	Shieh et al.	.....	D23/238
D587,343 S *	2/2009	Nobili	.....	D23/238
D589,594 S *	3/2009	Lammel et al.	.....	D23/238

\* cited by examiner

*Primary Examiner*—Robert A Delehanty

(74) *Attorney, Agent, or Firm*—Muncy, Geissler, Olds & Lowe, PLLC

(57) **CLAIM**

The ornamental design of a professional spray sink mixer, as shown and described.

**DESCRIPTION**

FIG. 1 is a perspective view of a professional spray sink mixer according to a first embodiment of the present invention;

FIG. 2 is a left side elevational view of the professional spray sink mixer of FIG. 1;

FIG. 3 is a right side elevational view of the professional spray sink mixer of FIG. 1;

FIG. 4 is a rear elevational view of the professional spray sink mixer of FIG. 1;

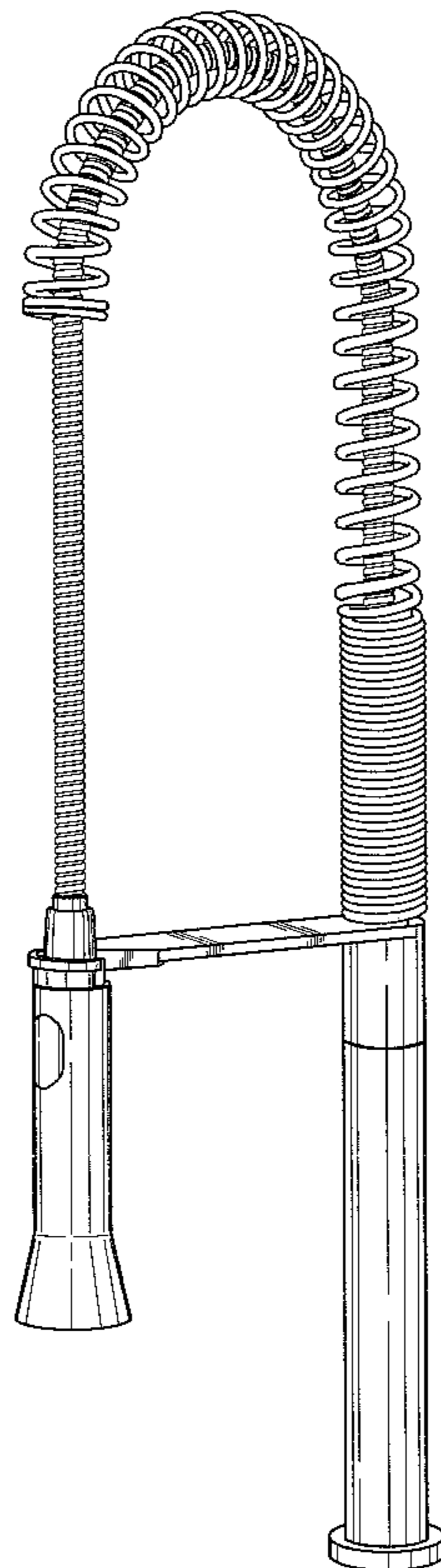
FIG. 5 is a front elevational view of the professional spray sink mixer of FIG. 1;

FIG. 6 is a bottom plan view of the professional spray sink mixer of FIG. 1; and,

FIG. 7 is a top plan view of the professional spray sink mixer of FIG. 1.

No claim is made to the material illustrated with dashed lines.

**1 Claim, 6 Drawing Sheets**



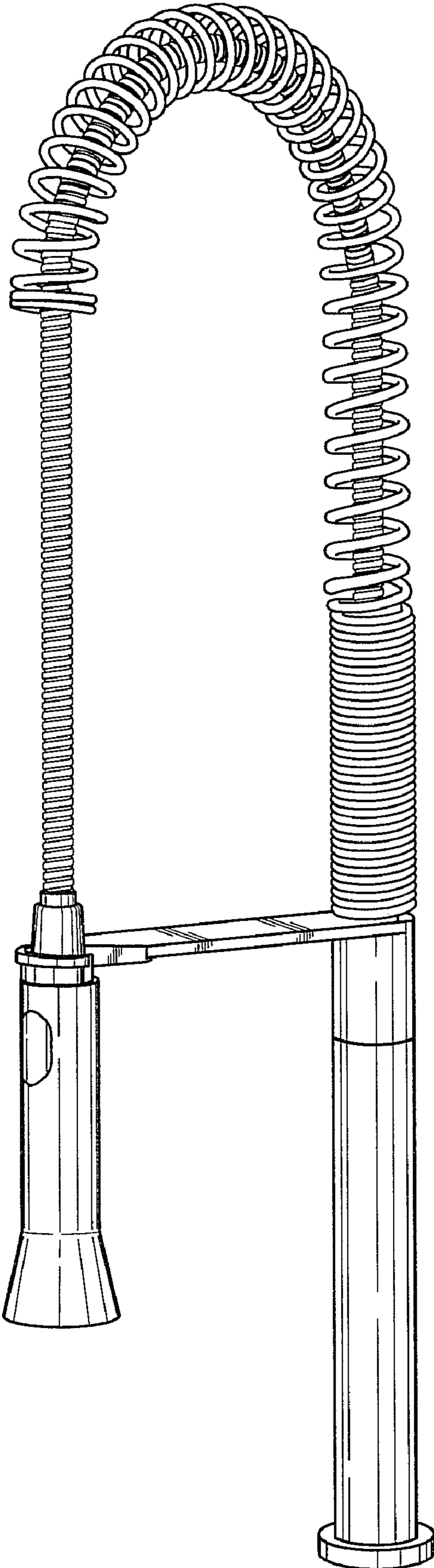


FIG. 1

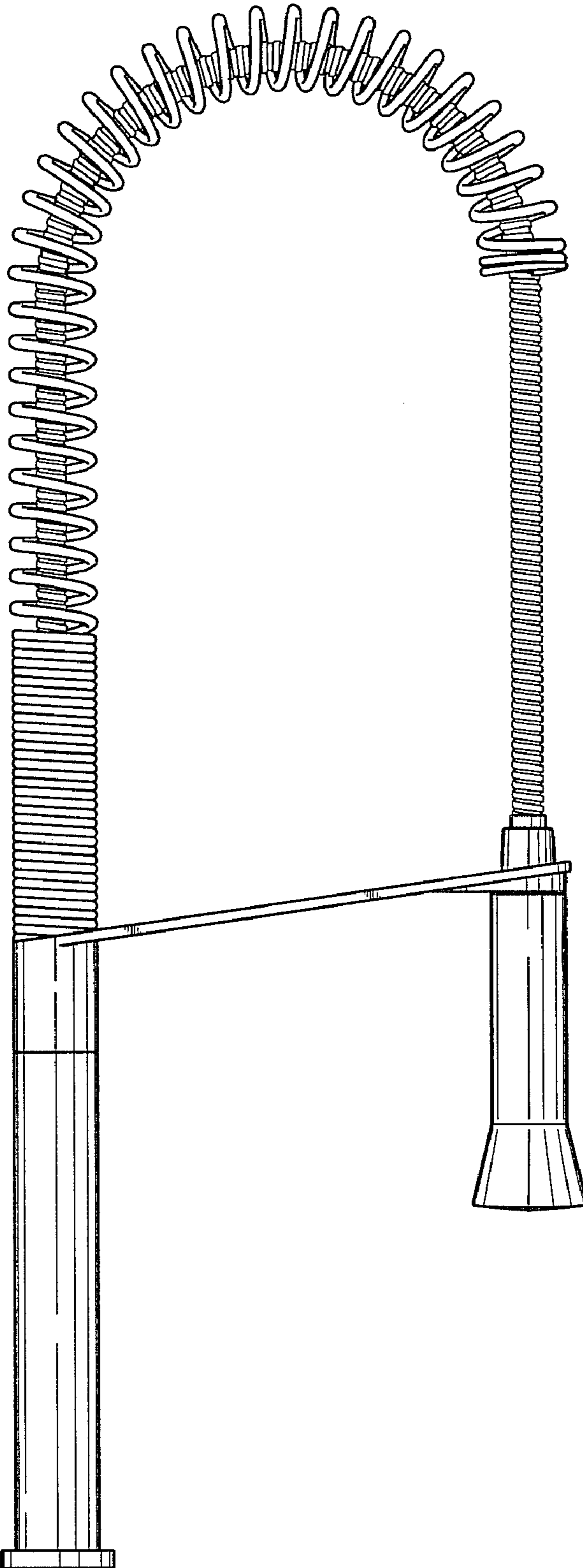


FIG. 2

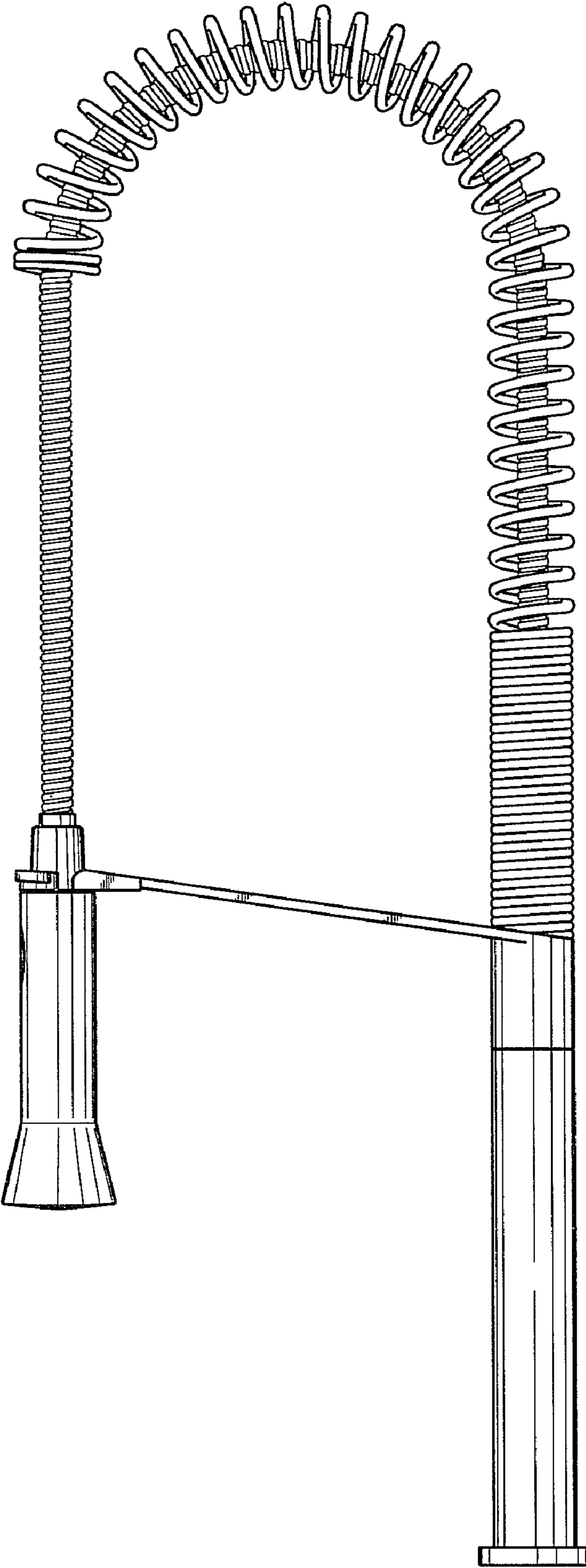


FIG. 3

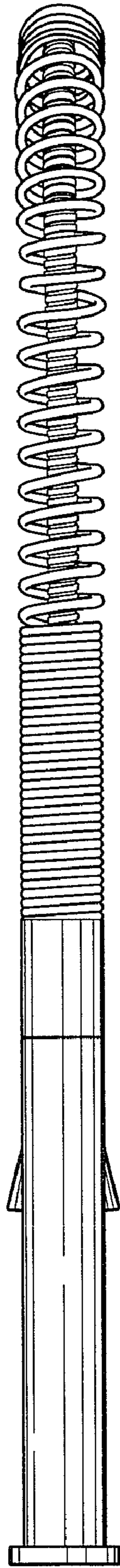


FIG. 4

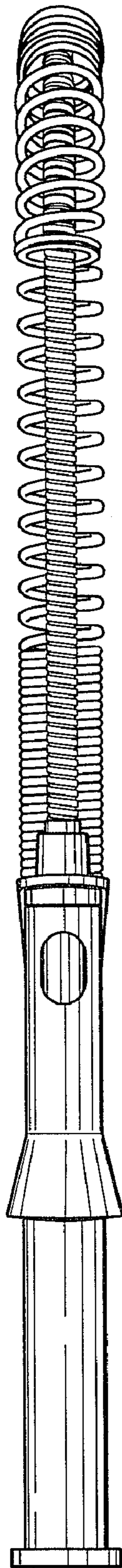


FIG. 5

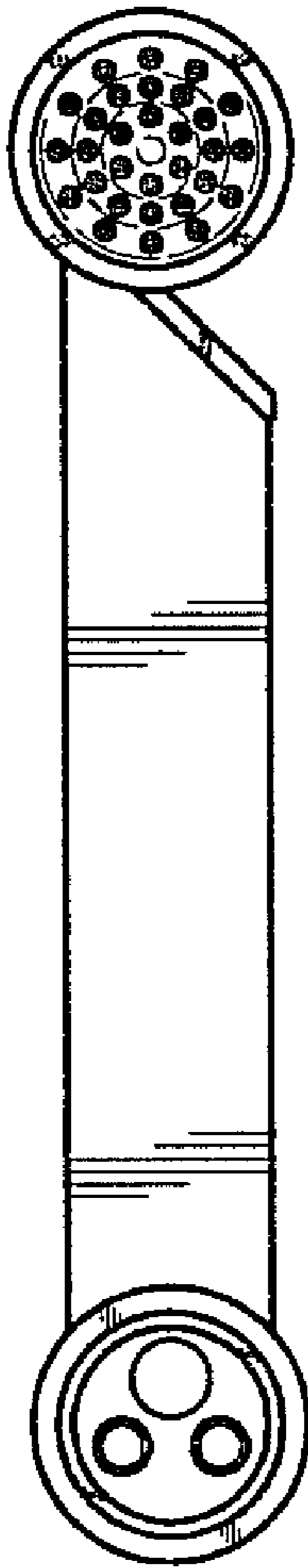


FIG. 6

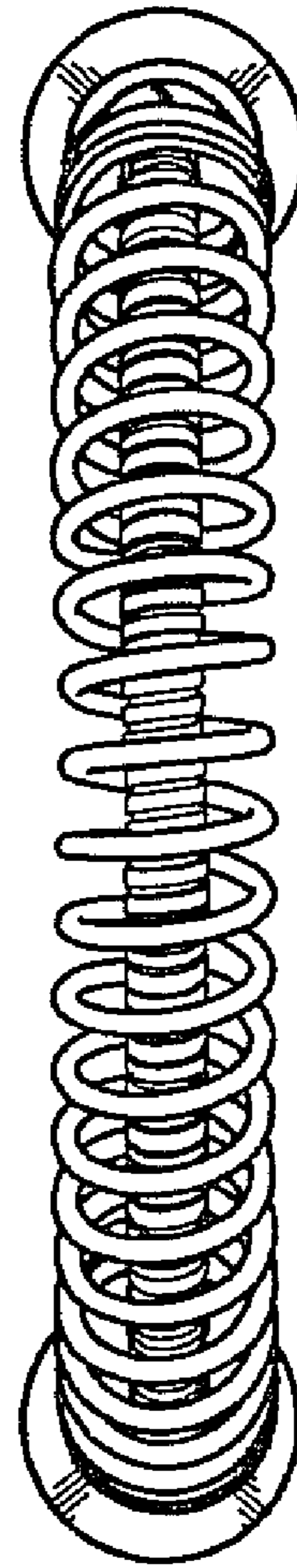


FIG. 7