



US00D605259S

(12) **United States Design Patent**
Scharf

(10) **Patent No.:** **US D605,259 S**

(45) **Date of Patent:** **** *Dec. 1, 2009**

(54) **FAUCET**

(76) **Inventor:** **Paul Scharf**, 954 Lexington Ave., Suite 181, New York, NY (US) 10021

(**) **Term:** **14 Years**

(21) **Appl. No.:** **29/324,133**

(22) **Filed:** **Sep. 5, 2008**

(51) **LOC (9) Cl.** **23-01**

(52) **U.S. Cl.** **D23/255**

(58) **Field of Classification Search** D23/238-243,
D23/255-257; 4/675-678; 137/801; D8/300,
D8/307-308, 321; 16/110.1

See application file for complete search history.

(56) **References Cited**

U.S. PATENT DOCUMENTS

4,003,403	A	1/1977	Nehring	
D304,490	S	11/1989	Hengesbach	
D321,243	S	10/1991	Comstock, Jr.	
D400,970	S	11/1998	Voo	
D438,595	S	3/2001	Ferrer Beltran	
D479,580	S *	9/2003	Haug et al.	D23/238
D492,390	S *	6/2004	Fraser et al.	D23/241
D566,235	S *	4/2008	Heck et al.	D23/238

OTHER PUBLICATIONS

*Rieke Packaging Systems*TM, a TriMas Company; Dispensing Catalog—11 pages.

* cited by examiner

Primary Examiner—Robert A Delehanty

(74) *Attorney, Agent, or Firm*—Collard & Roe, P.C.

(57) **CLAIM**

The ornamental design for a faucet, as shown and described.

DESCRIPTION

FIG. 1 shows a front side perspective view of a faucet;

FIG. 2 shows a front view of the faucet which is at the right end based upon the orientation in FIG. 1;

FIG. 3 shows a first side view of the faucet which is opposite the side perspective view shown in FIG. 1;

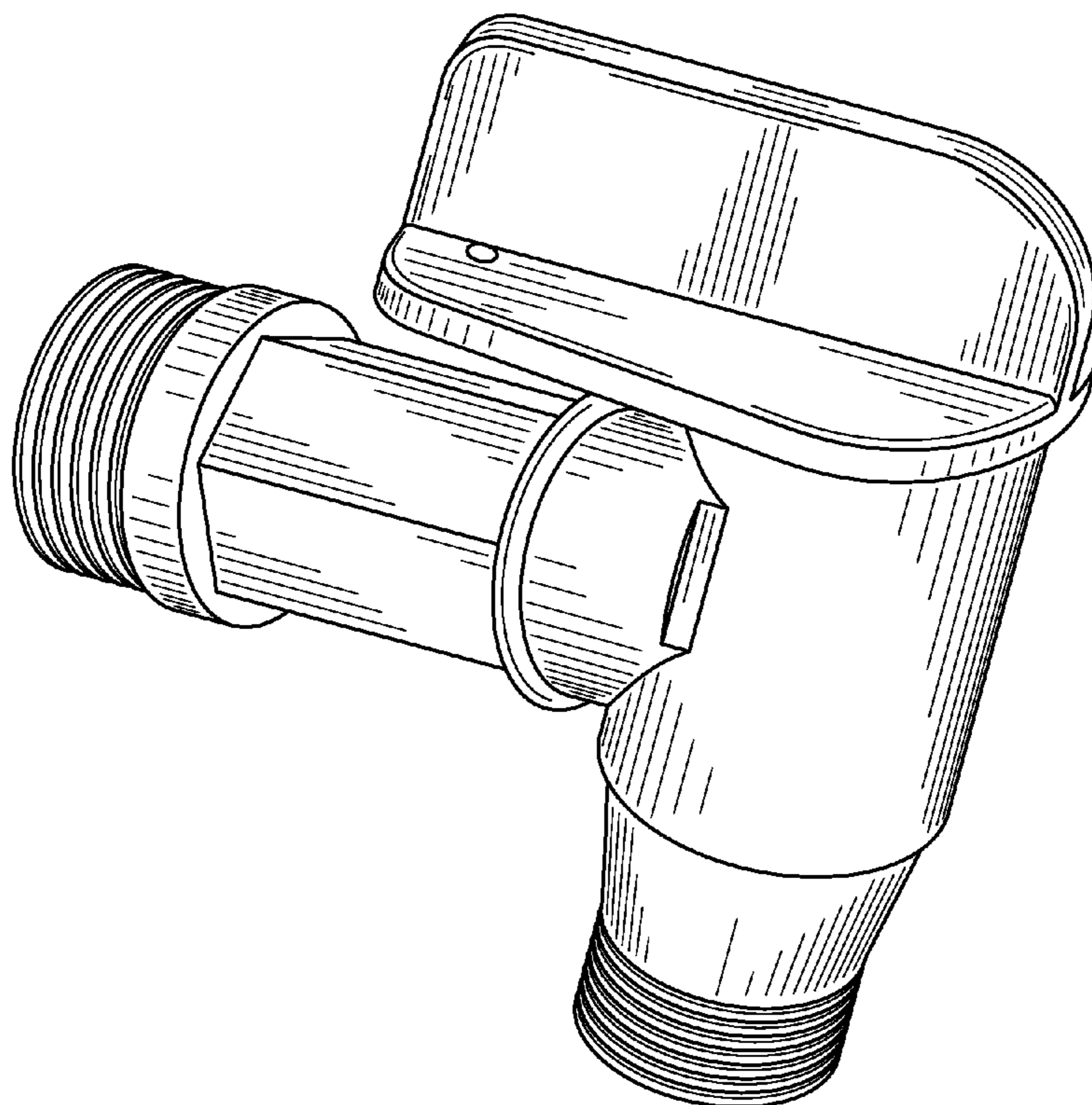
FIG. 4 shows another side view of the faucet which is the front side view with respect to FIG. 1;

FIG. 5 shows a top side view of the faucet relative to the orientation in FIG. 1; and

FIG. 6 shows a perspective view of another embodiment of the invention wherein this embodiment does not have a hole in the handle; and,

FIG. 7 shows a top side view of the embodiment shown in FIG. 6 with all other sides for this embodiment being the same as shown in FIGS. 2-5.

1 Claim, 6 Drawing Sheets



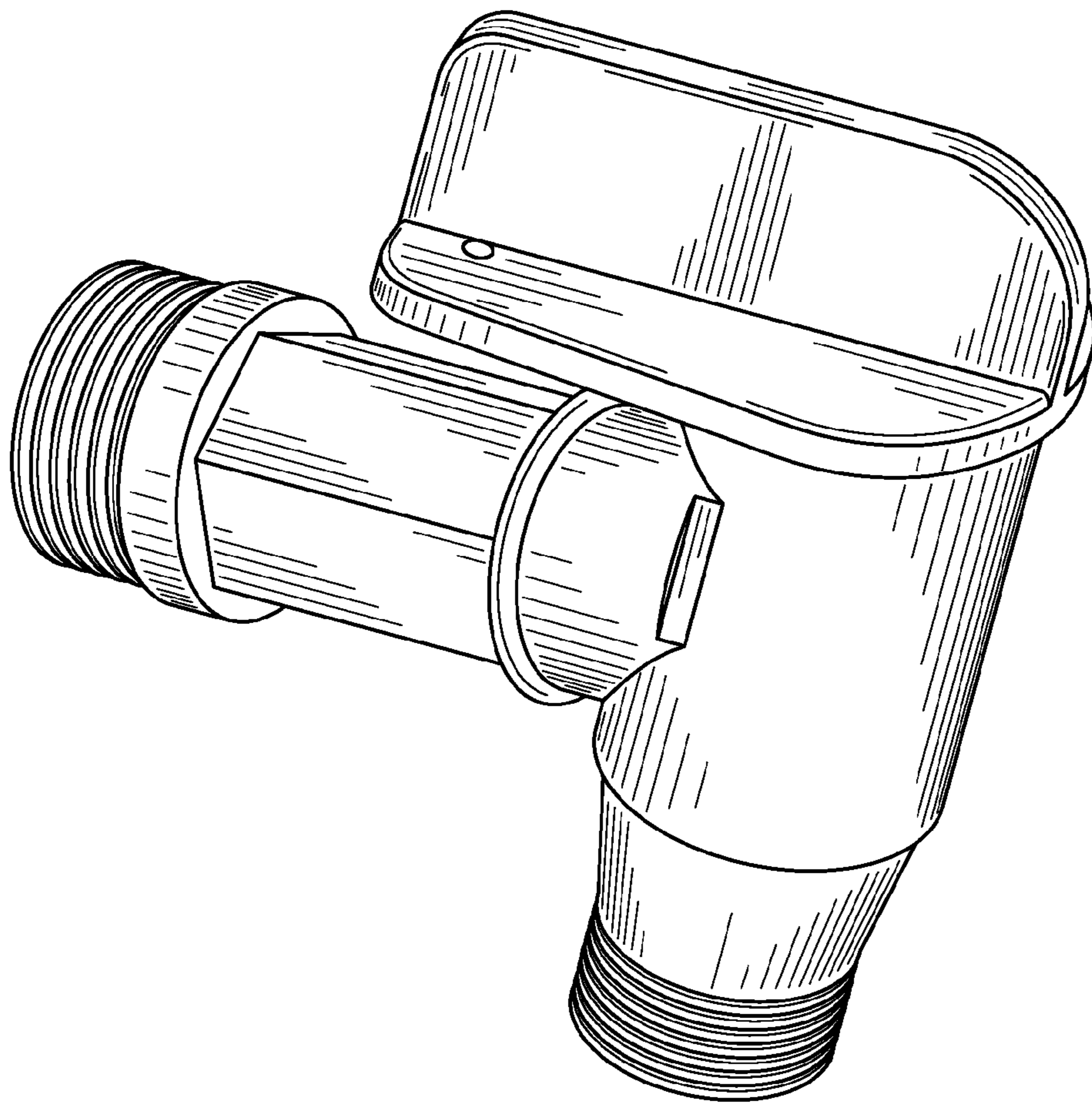


FIG. 1

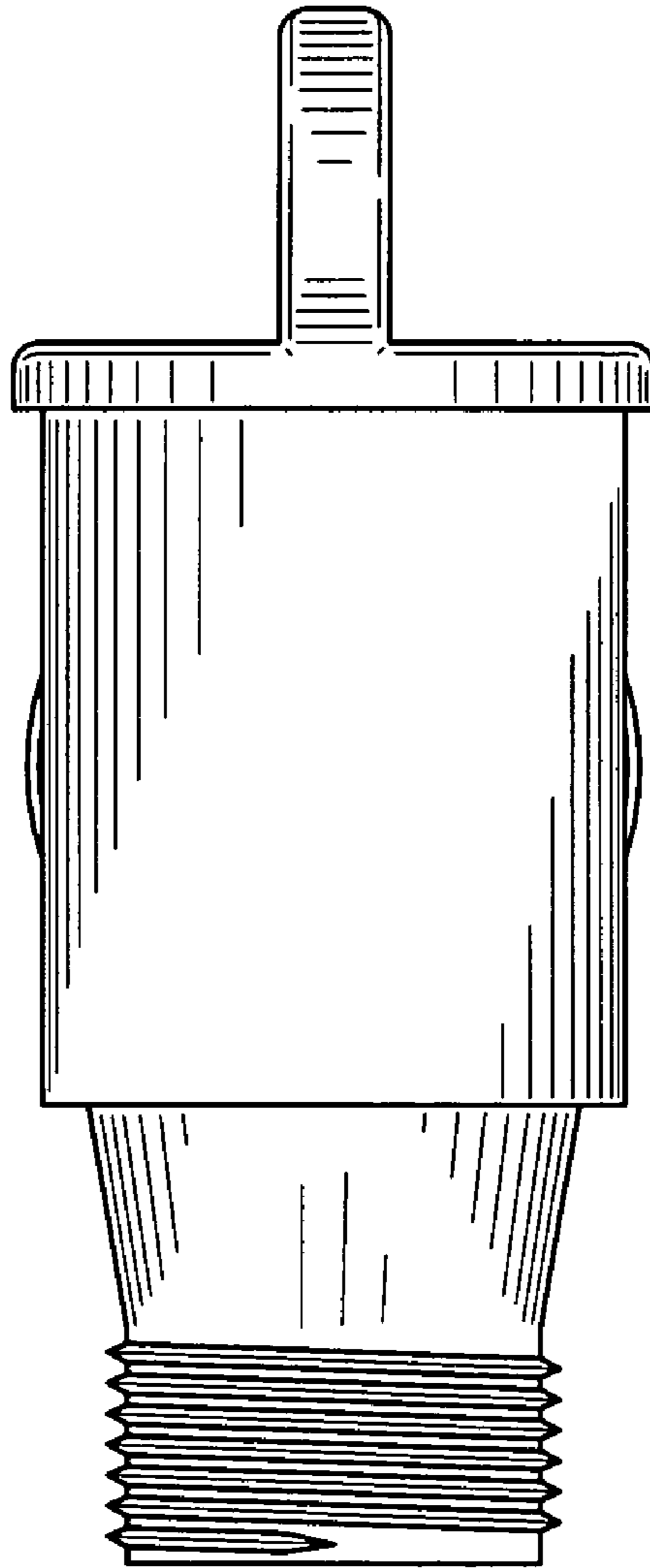
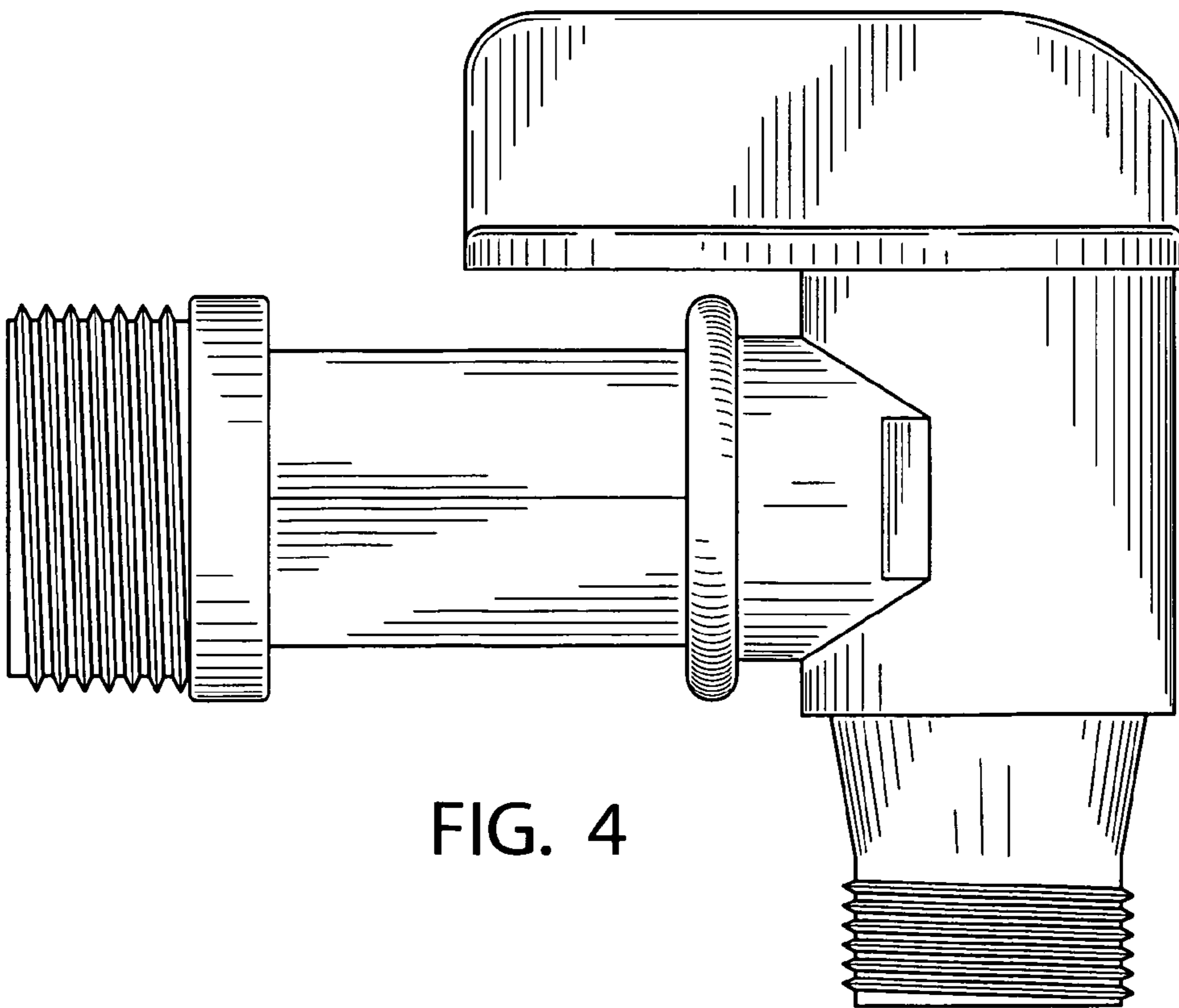
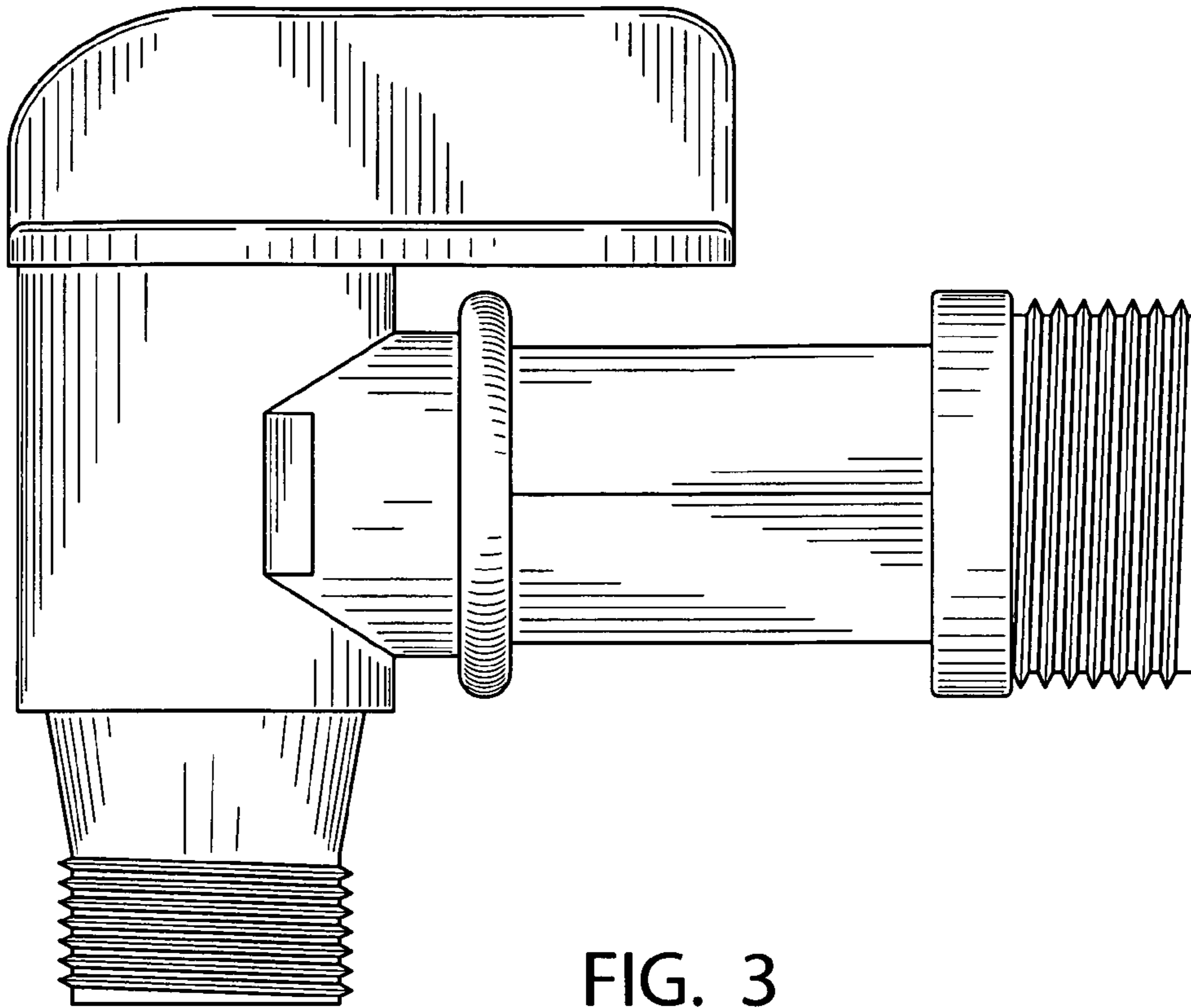


FIG. 2



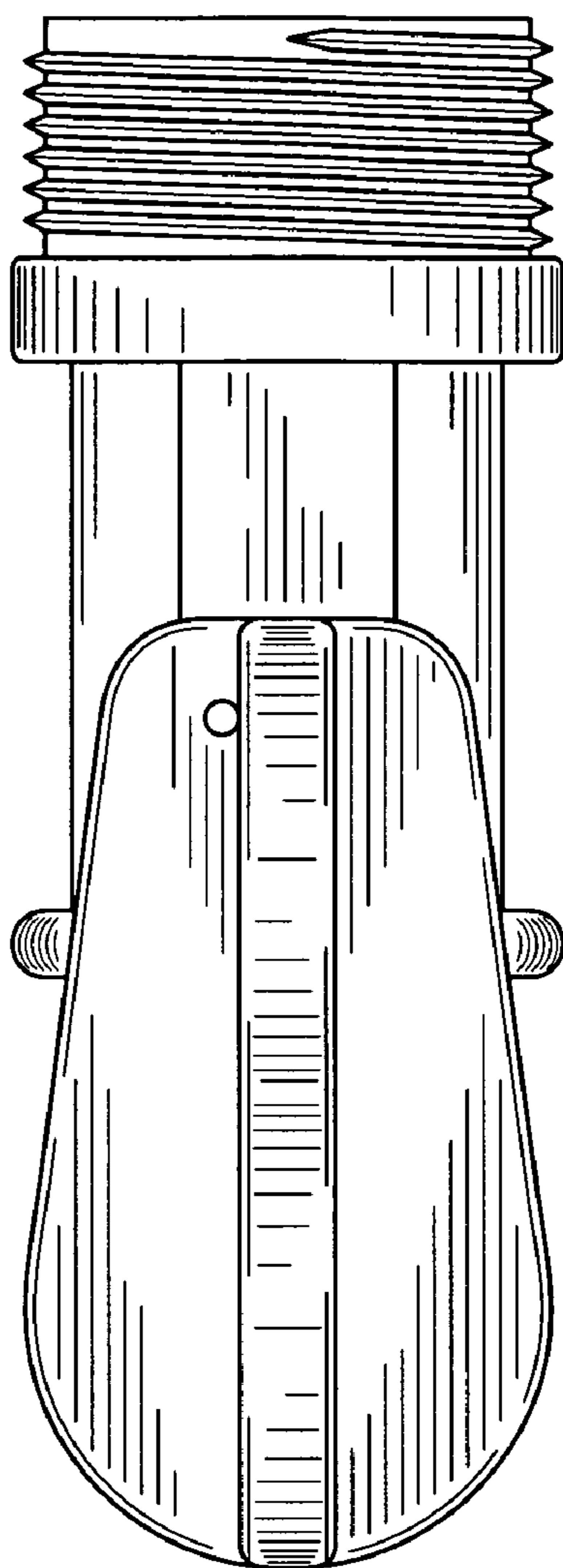


FIG. 5

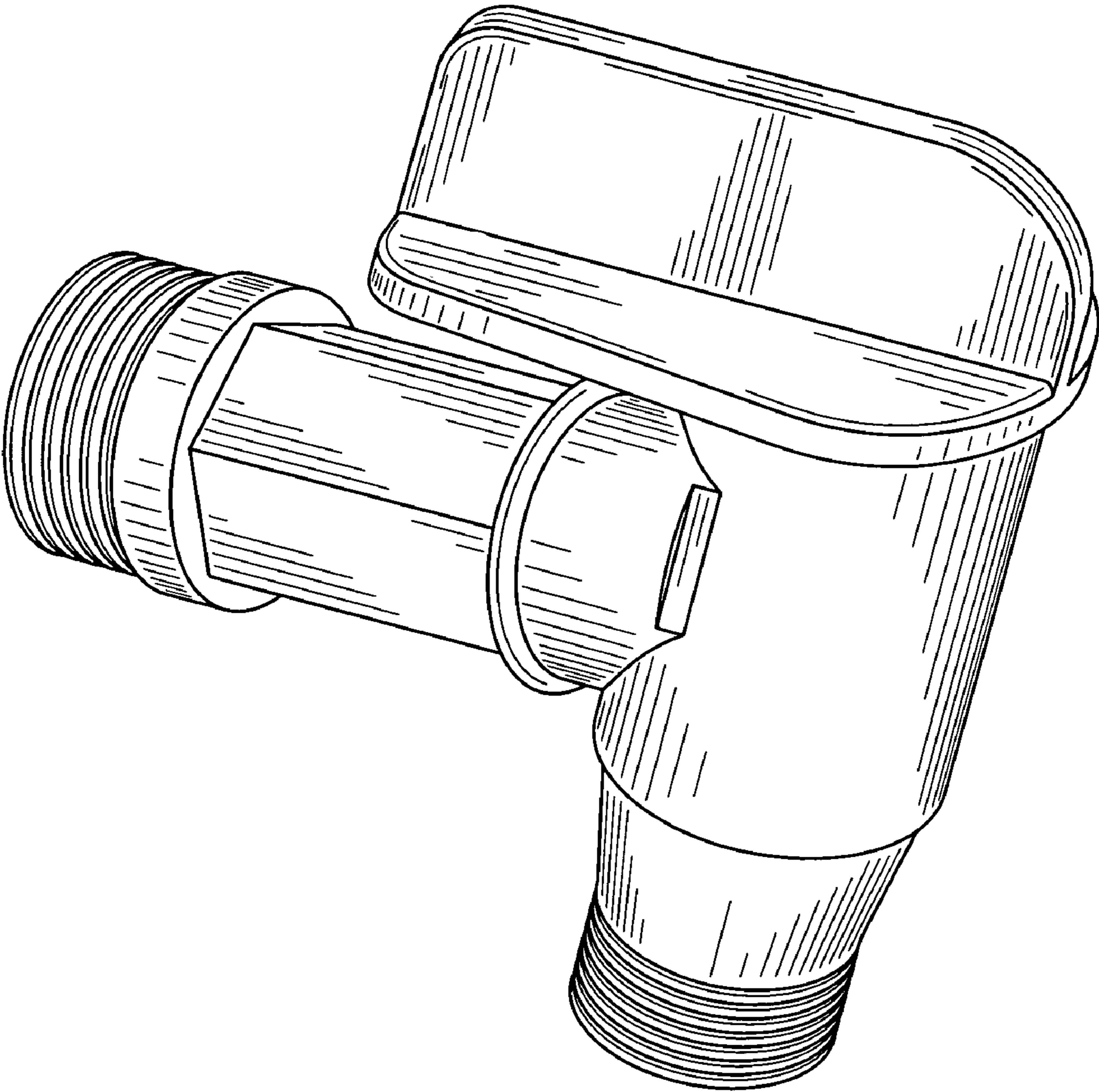


FIG. 6

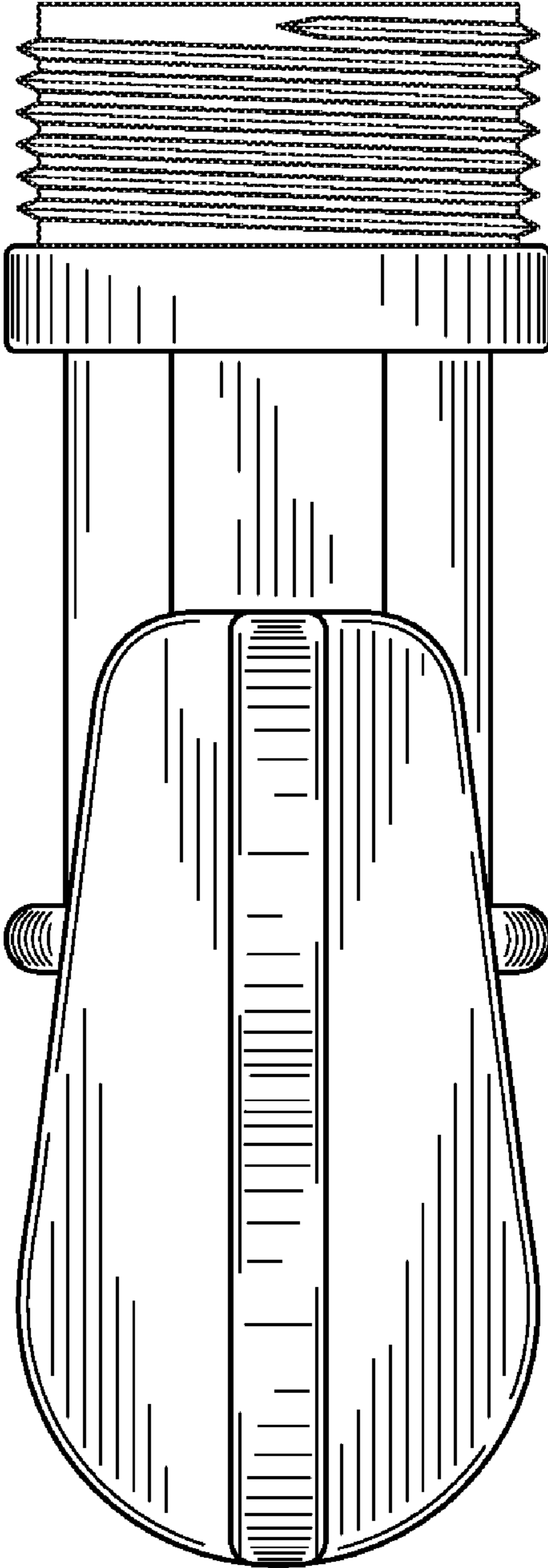


FIG. 7