



US00D605258S

(12) **United States Design Patent**  
**Rubin et al.**

(10) **Patent No.:** **US D605,258 S**  
(45) **Date of Patent:** **\*\* Dec. 1, 2009**

(54) **PLUMBING FITTING**

- (75) Inventors: **Leila M. Rubin**, Sheboygan, WI (US);  
**Herbert V. Kohler, Jr.**, Kohler, WI (US)
- (73) Assignee: **Kohler Co.**, Kohler, WI (US)
- (\*\*) Term: **14 Years**
- (21) Appl. No.: **29/335,106**
- (22) Filed: **Apr. 8, 2009**

**Related U.S. Application Data**

- (62) Division of application No. 29/318,408, filed on May 20, 2008, now Pat. No. Des. 591,404.
- (51) **LOC (9) Cl.** ..... **23-01**
- (52) **U.S. Cl.** ..... **D23/250; D23/238**
- (58) **Field of Classification Search** ..... **D23/200,**  
**D23/238-257; 4/675-678; 137/801**  
See application file for complete search history.

(56) **References Cited**

**U.S. PATENT DOCUMENTS**

D297,357 S *	8/1988	Spangler	.....	D23/252
D339,852 S *	9/1993	Jans	.....	D23/252
D367,699 S	3/1996	Hill et al.		
D388,158 S	12/1997	Doughty et al.		
D398,378 S *	9/1998	Lord	.....	D23/252
D411,875 S	7/1999	Lord		

(Continued)

**FOREIGN PATENT DOCUMENTS**

AU	314492 S	6/2007
DE	000248018-0002	2/2005
RU	39577	5/1994
WO	DM 066850	6/2005

**OTHER PUBLICATIONS**

Danze. "Melrose Kitchen Faucet Stainless Steel 16" Spout Height. Model No. D457015SS (former Model No. 4570-15-SS). HomeCenter.com online catalog. Copyright © 2006, 2008 HomeCenter.com.

Blanco-Merkur. Merkur Plus Series. Model No. 157073PST. Amazon.com online catalog. Copyright 1996-2008 Amazon.com, Inc. or it's affiliates.

Kohler Co. "Clairette Kitchen Faucet Brushed Nickel". Model No. 692-BN. HomeCenter.com online catalog. © Copyright 2006, 2008 HomeCenter.com.

Kohler Co. "Evoke Single-Control Pullout Kitchen Faucet". Model No. K-6331. Kohler Co. online catalog. Copyright 2008 Kohler Co.

*Primary Examiner*—T. Chase Nelson

*Assistant Examiner*—Mark Cavanna

(74) *Attorney, Agent, or Firm*—Quarles & Brady LLP

(57) **CLAIM**

The ornamental design for a plumbing fitting, as shown and described.

**DESCRIPTION**

In a preferred embodiment, the nature of this product is as a plumbing fitting in the form of a faucet with a movable spray head usable to wash various items and/or body parts, as well as a handle and a spray head therefor.

FIG. 1 is a right, top, front perspective view of a plumbing fitting embodying our new design;

FIG. 2 is a front elevational view thereof;

FIG. 3 is a right side elevational view thereof;

FIG. 4 is a left side elevational view thereof;

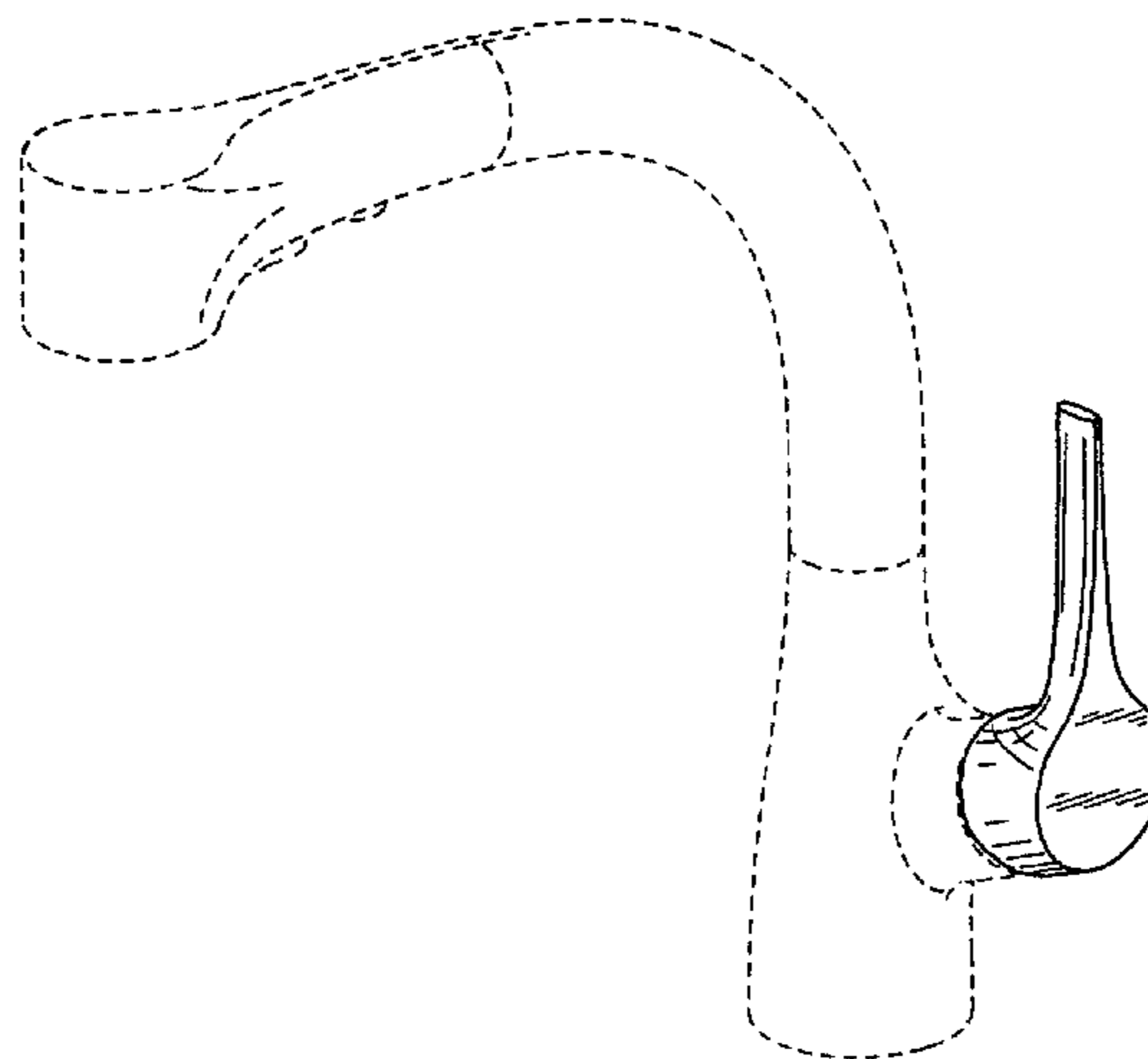
FIG. 5 is a rear elevational view thereof;

FIG. 6 is a top plan view thereof; and,

FIG. 7 is a bottom plan view thereof.

The broken line representations in the figures are for the purpose of illustration only, and form no part of the claimed design.

**1 Claim, 5 Drawing Sheets**



# US D605,258 S

Page 2

---

## U.S. PATENT DOCUMENTS

D413,161 S	8/1999	Lord	
D413,654 S *	9/1999	Paredes et al.	..... D23/250
D413,965 S *	9/1999	Ko	..... D23/252
D416,078 S	11/1999	Lord	
D418,206 S	12/1999	Lord	
D418,586 S	1/2000	Lord	
D419,651 S	1/2000	Lord	
D420,725 S	2/2000	Lord	
D421,790 S	3/2000	Lord	
D433,486 S *	11/2000	Lord	..... D23/250
D443,337 S	6/2001	Mark et al.	
D443,921 S *	6/2001	Tolosa	..... D23/252
D444,214 S *	6/2001	Mark et al.	..... D23/252
D467,313 S *	12/2002	Hundley	..... D23/252
D467,995 S	12/2002	Lord	
D523,120 S *	6/2006	Schaffeld et al.	..... D23/252
D523,527 S *	6/2006	Nadler et al.	..... D23/252
D526,052 S *	8/2006	Lord	..... D23/252
D530,785 S	10/2006	Rexach et al.	
D564,633 S *	3/2008	Kemp	..... D23/250
D577,107 S *	9/2008	Gilbert	..... D23/252
D579,526 S *	10/2008	Williams	..... D23/250

\* cited by examiner

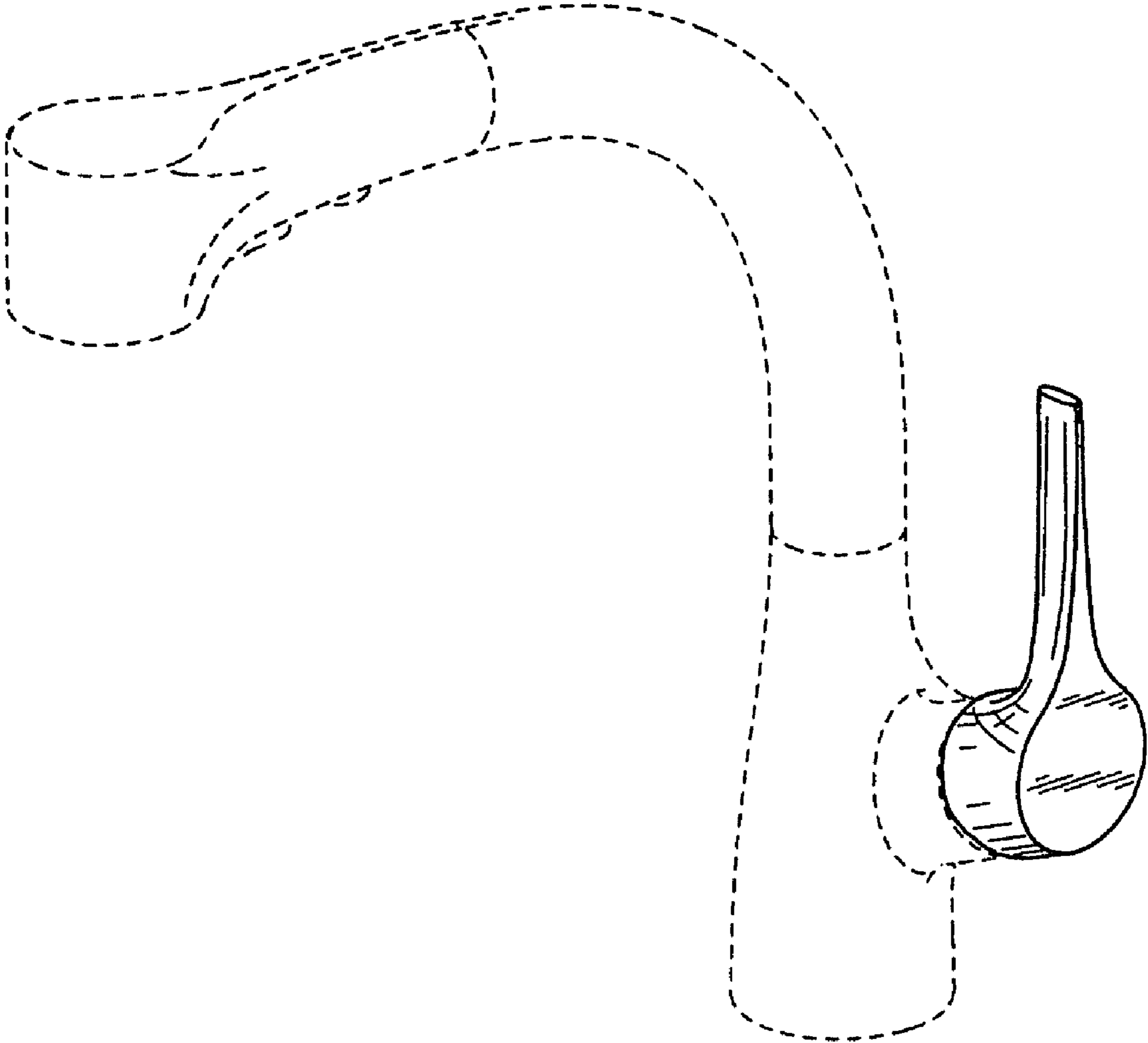


FIG. 1

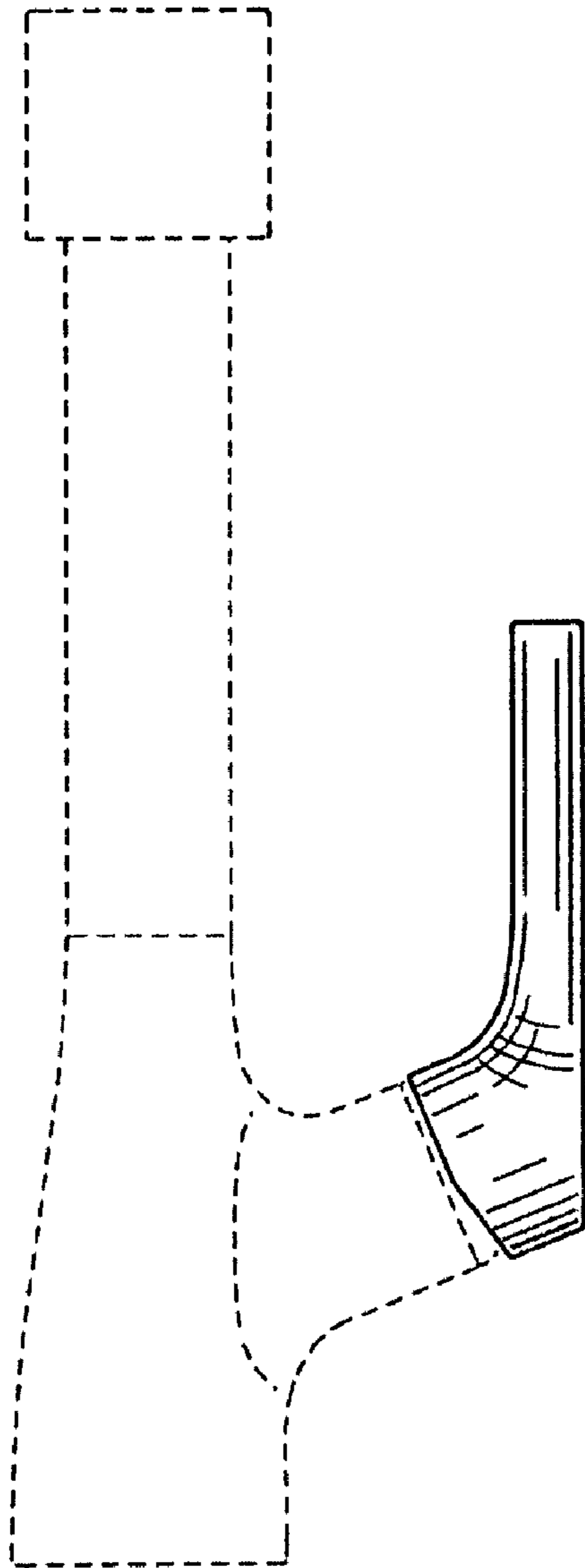


FIG. 2

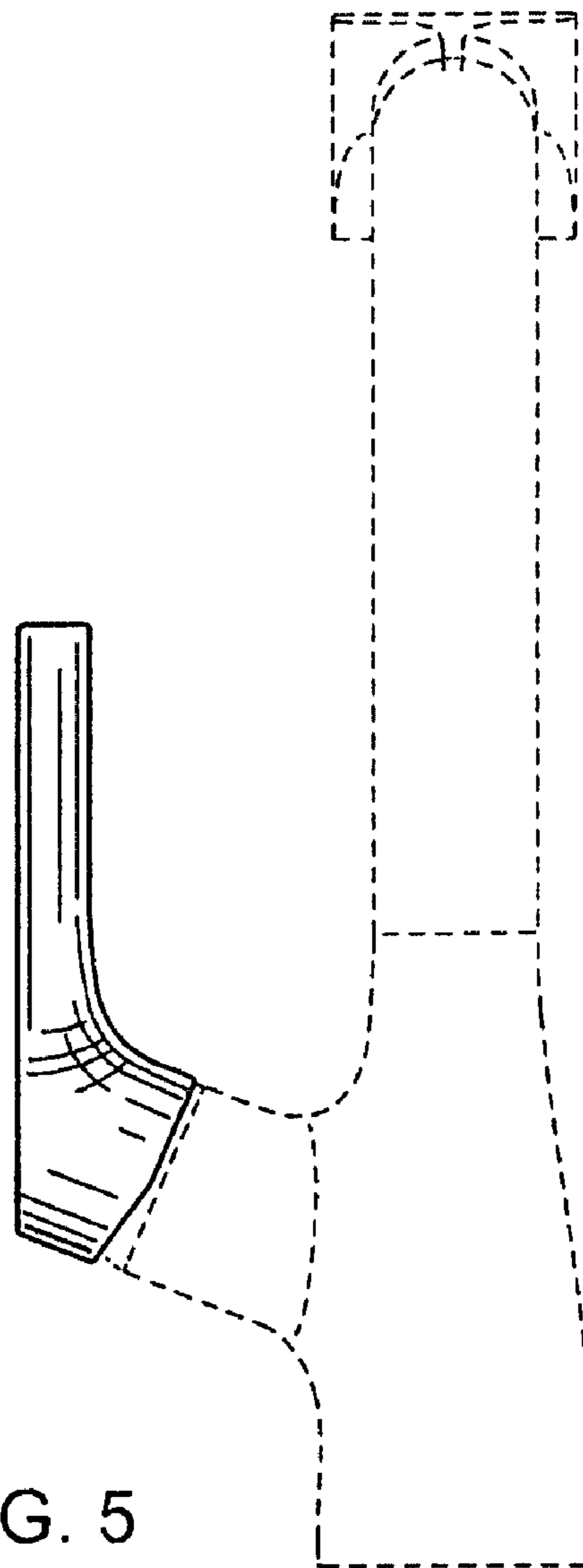


FIG. 5

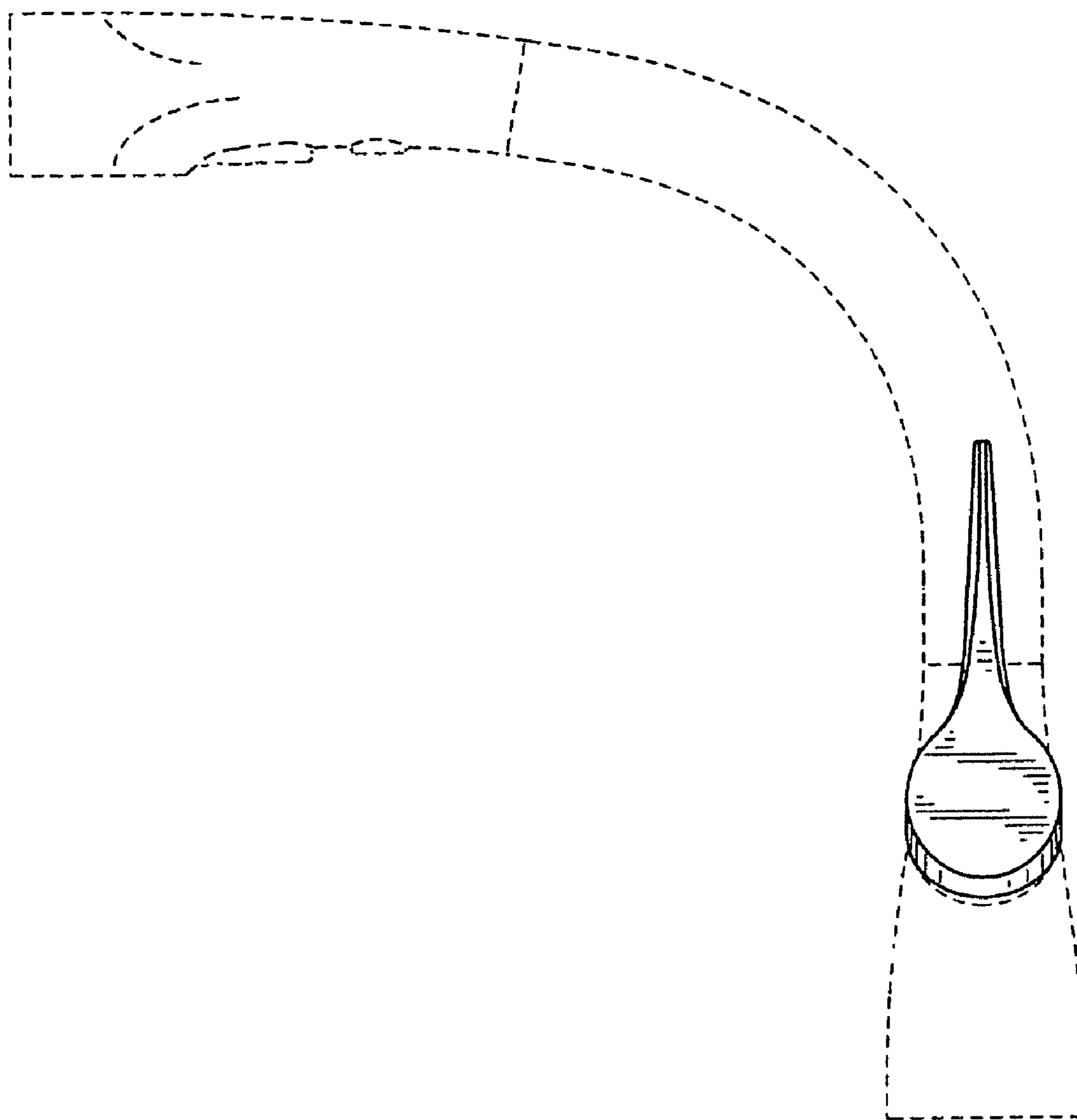


FIG. 3

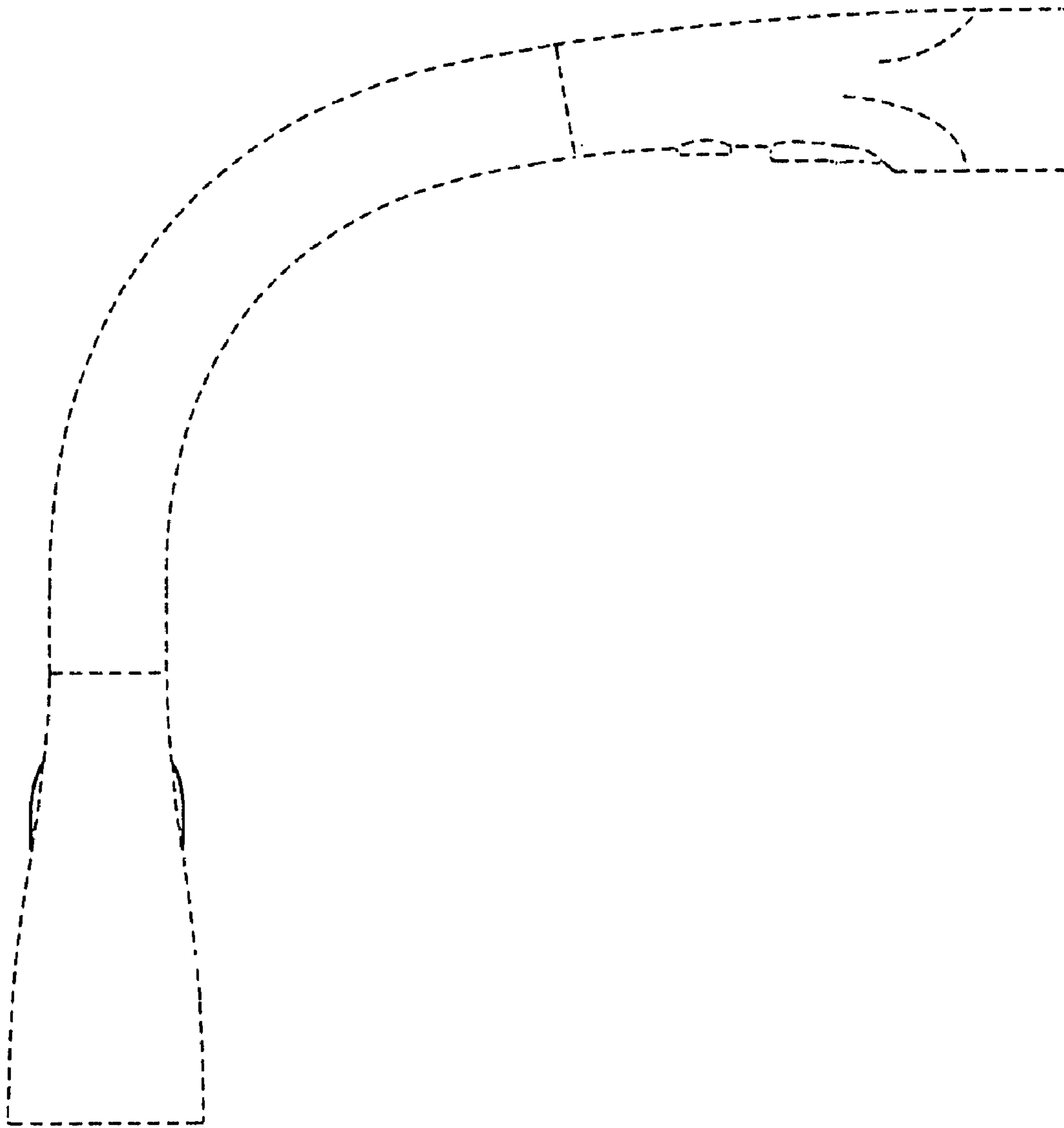


FIG. 4

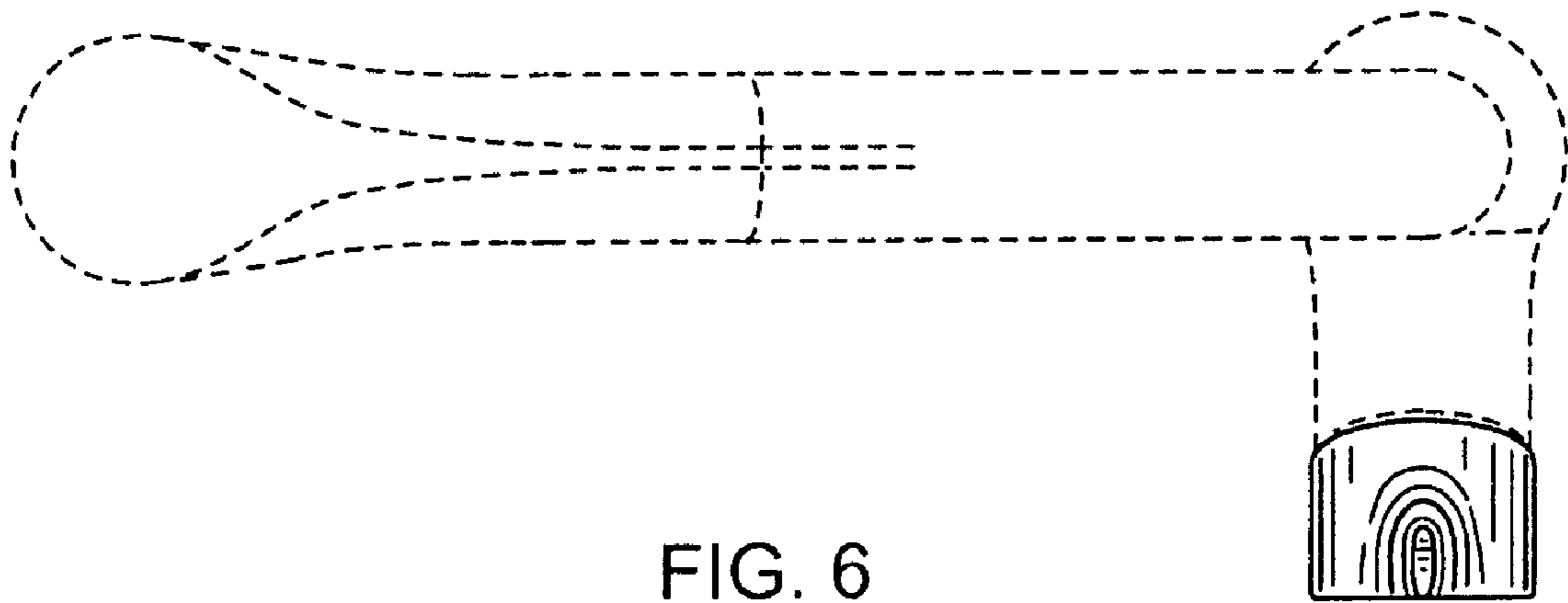


FIG. 6

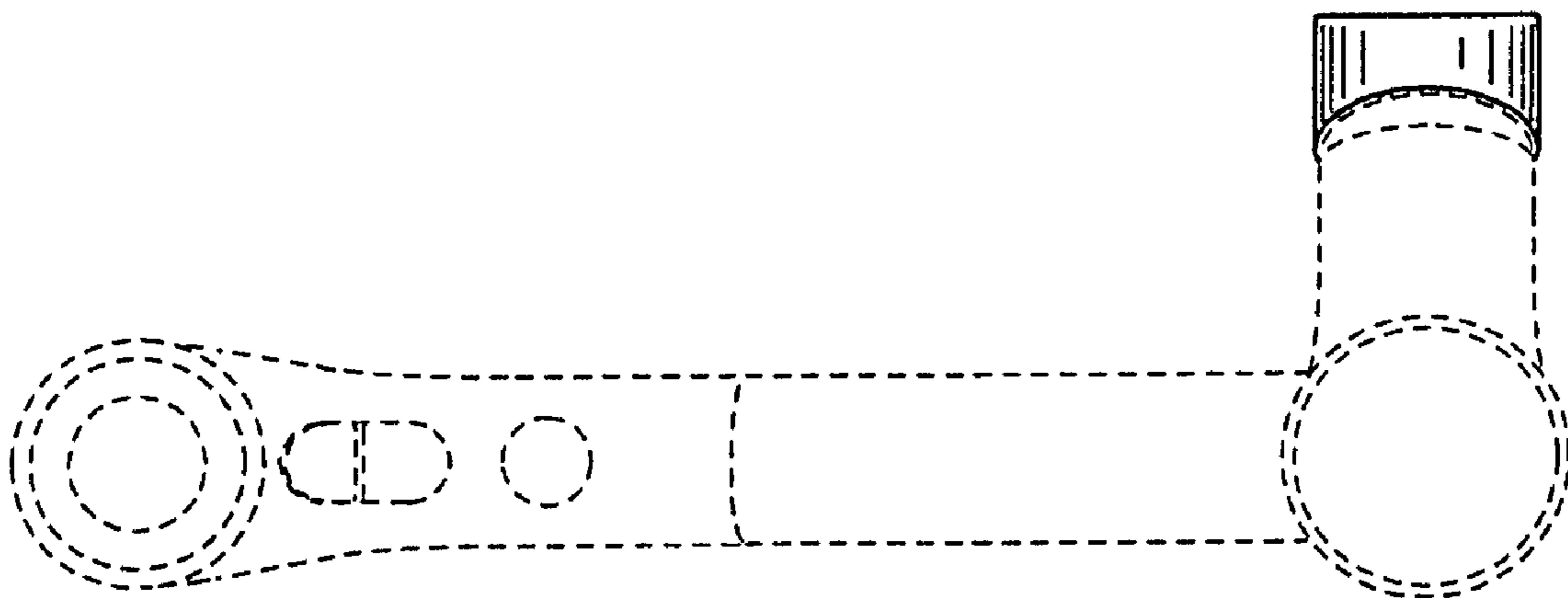


FIG. 7