



US00D605256S

(12) **United States Design Patent**  
**Flowers et al.**

(10) **Patent No.:** **US D605,256 S**

(45) **Date of Patent:** **\*\* Dec. 1, 2009**

(54) **LOW SPOUT FAUCET**

(75) Inventors: **Paul Flowers**, Duesseldorf (DE);  
**Patrick Speck**, Duesseldorf (DE)

(73) Assignee: **Grohe AG**, Hemer (DE)

(\*\*) Term: **14 Years**

(21) Appl. No.: **29/329,095**

(22) Filed: **Dec. 9, 2008**

(30) **Foreign Application Priority Data**

Jun. 25, 2008 (EM) ..... 000958665-0003

(51) **LOC (9) Cl.** ..... **23-01**

(52) **U.S. Cl.** ..... **D23/238**

(58) **Field of Classification Search** ..... D23/239-243,  
D23/250-254, 255-257; 4/675-678; 137/801;  
16/110.1; D8/300, 307-312; D6/512, 524,  
D6/546, 550

See application file for complete search history.

(56) **References Cited**

**U.S. PATENT DOCUMENTS**

D534,619 S \* 1/2007 Garner ..... D23/238  
D550,812 S \* 9/2007 Haug et al. .... D23/238  
D582,008 S \* 12/2008 Citterio ..... D23/238  
D585,524 S \* 1/2009 Schoenherr et al. .... D23/238

\* cited by examiner

*Primary Examiner*—Robert A Delehanty

(74) *Attorney, Agent, or Firm*—Muncy, Geissler, Olds & Lowe, PLLC

(57) **CLAIM**

The ornamental design of a low spout faucet, as shown and described.

**DESCRIPTION**

FIG. 1 is a perspective view of a low spout faucet according to a first embodiment of the present invention;

FIG. 2 is a left side elevational view of the low spout faucet of FIG. 1;

FIG. 3 is a right side elevational view of the low spout faucet of FIG. 1;

FIG. 4 is a front elevational view of the low spout faucet of FIG. 1;

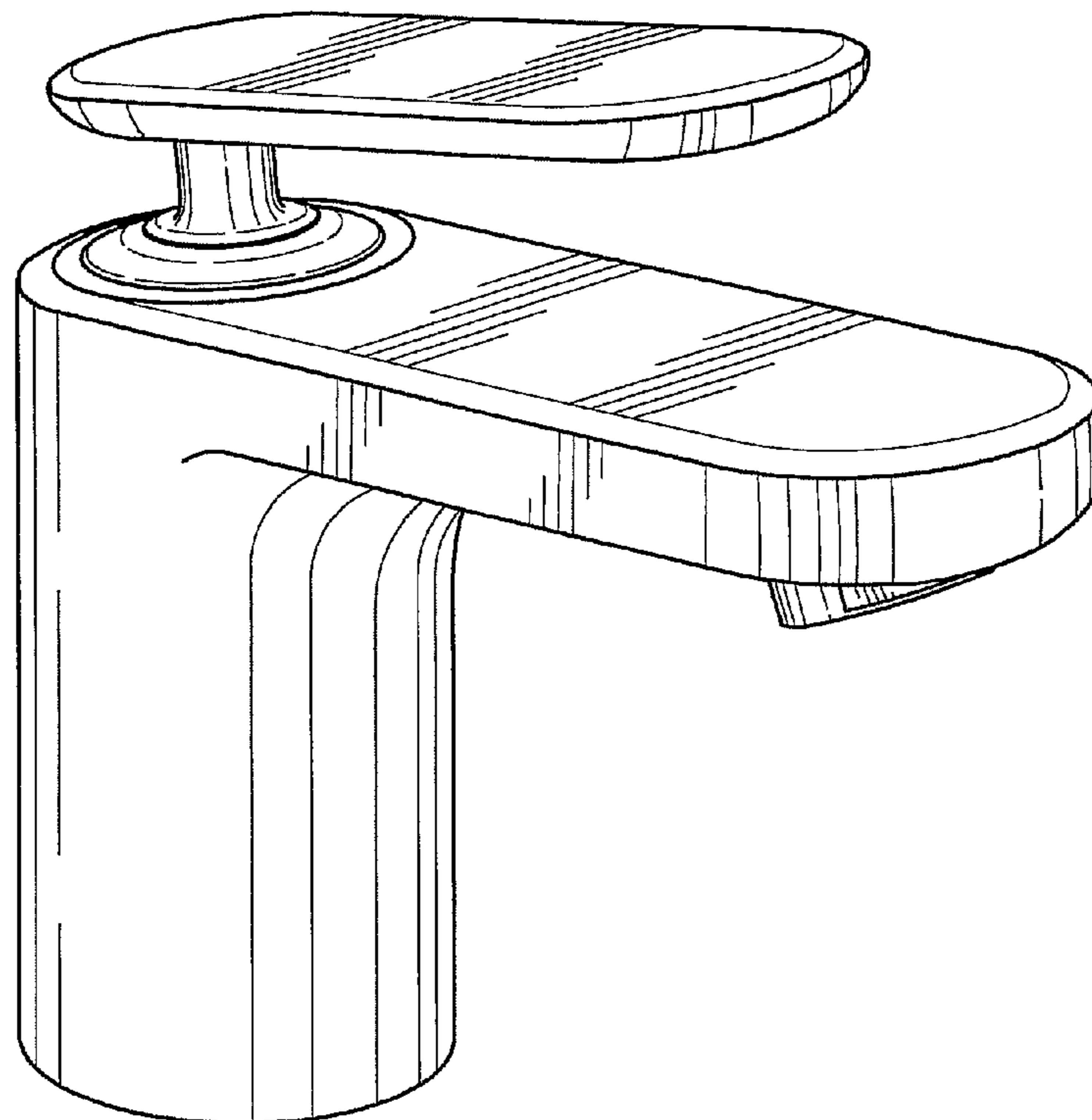
FIG. 5 is a rear elevational view of the low spout faucet of FIG. 1;

FIG. 6 is a bottom plan view of the low spout faucet of FIG. 1; and,

FIG. 7 is a top plan view of the low spout faucet of FIG. 1.

The dashed lines illustrate environment that does not form a part of the present invention, and no claim is made to the material illustrated with dashed lines.

**1 Claim, 7 Drawing Sheets**



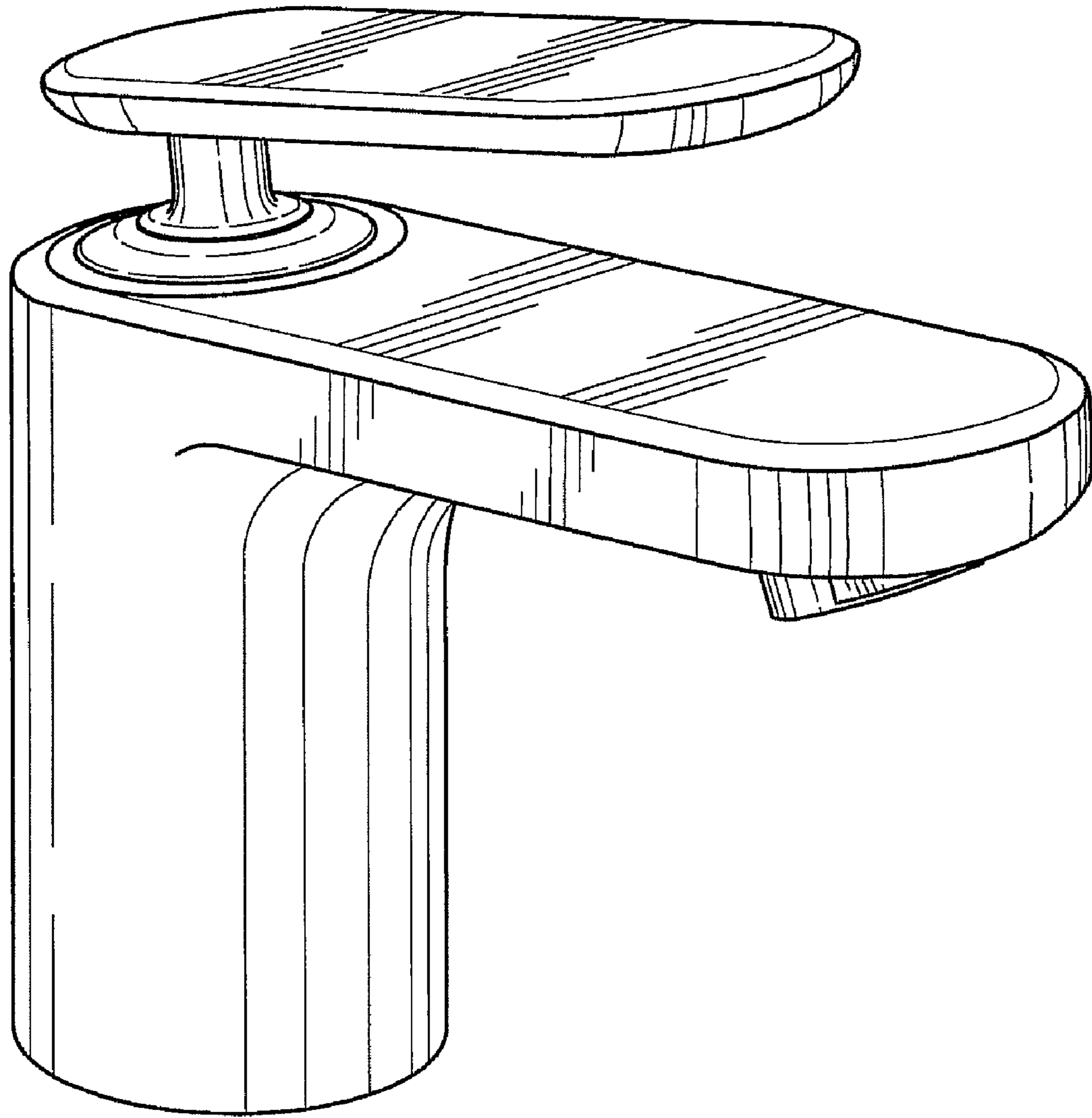


FIG. 1

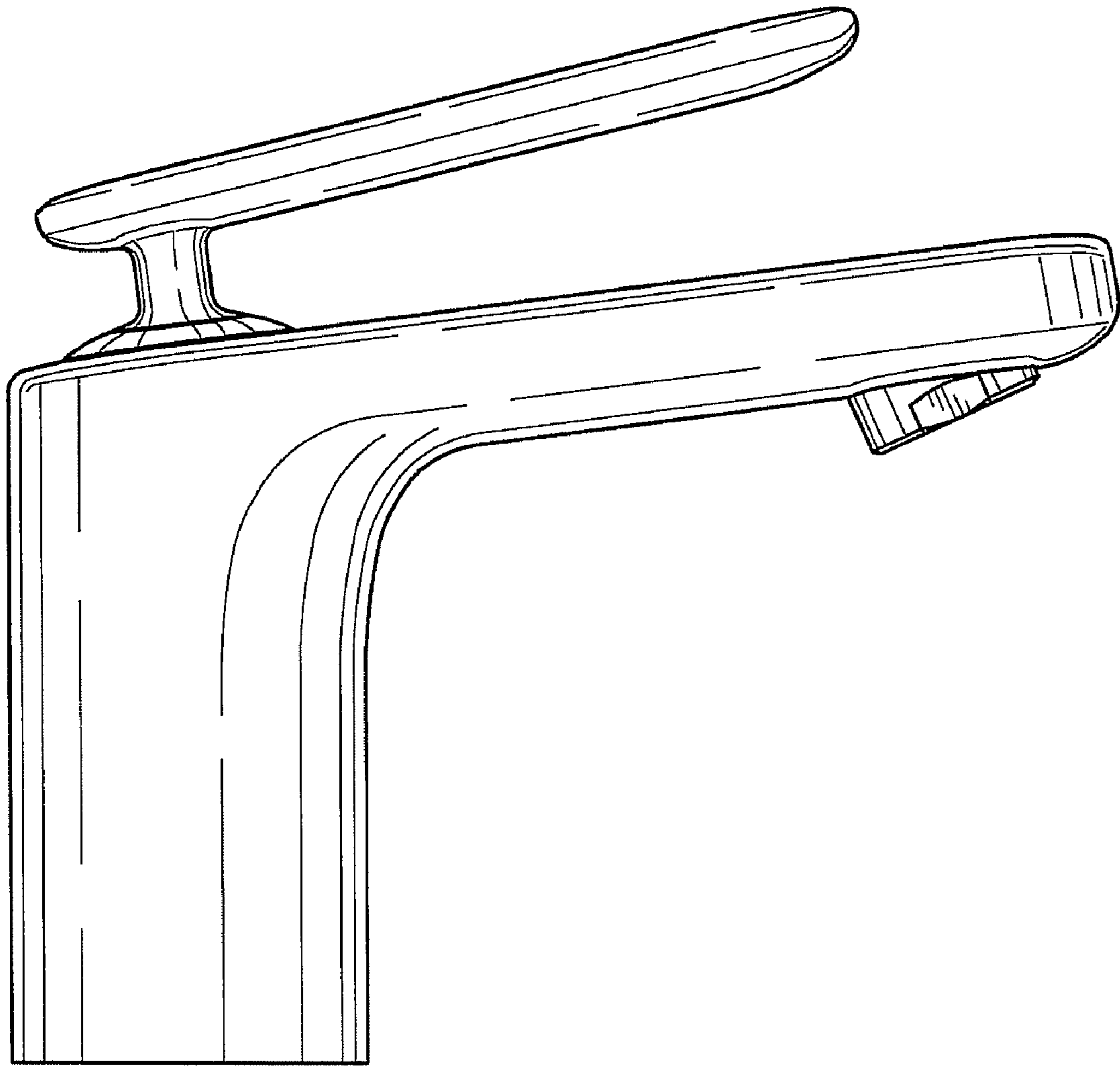


FIG. 2

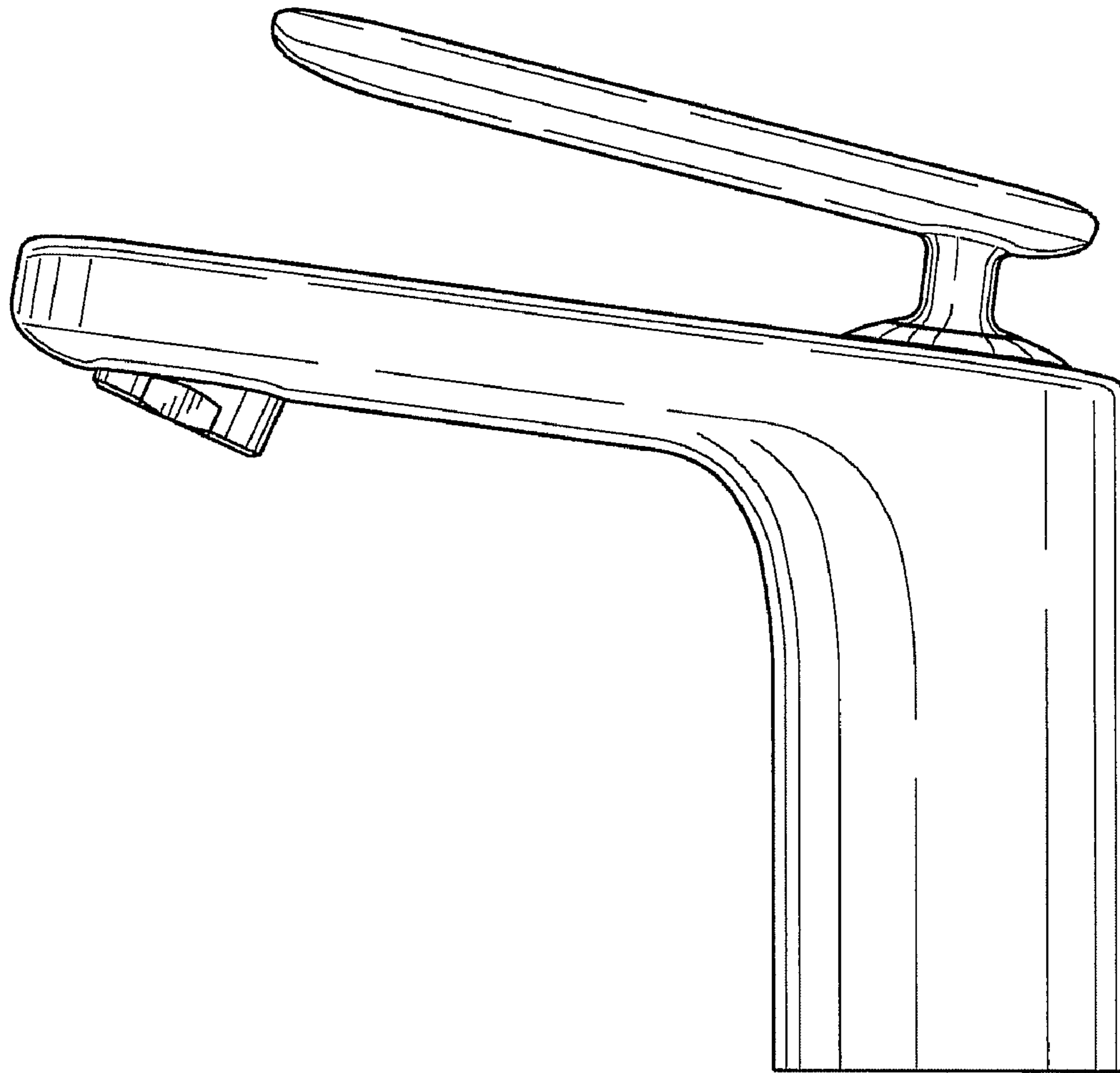


FIG. 3

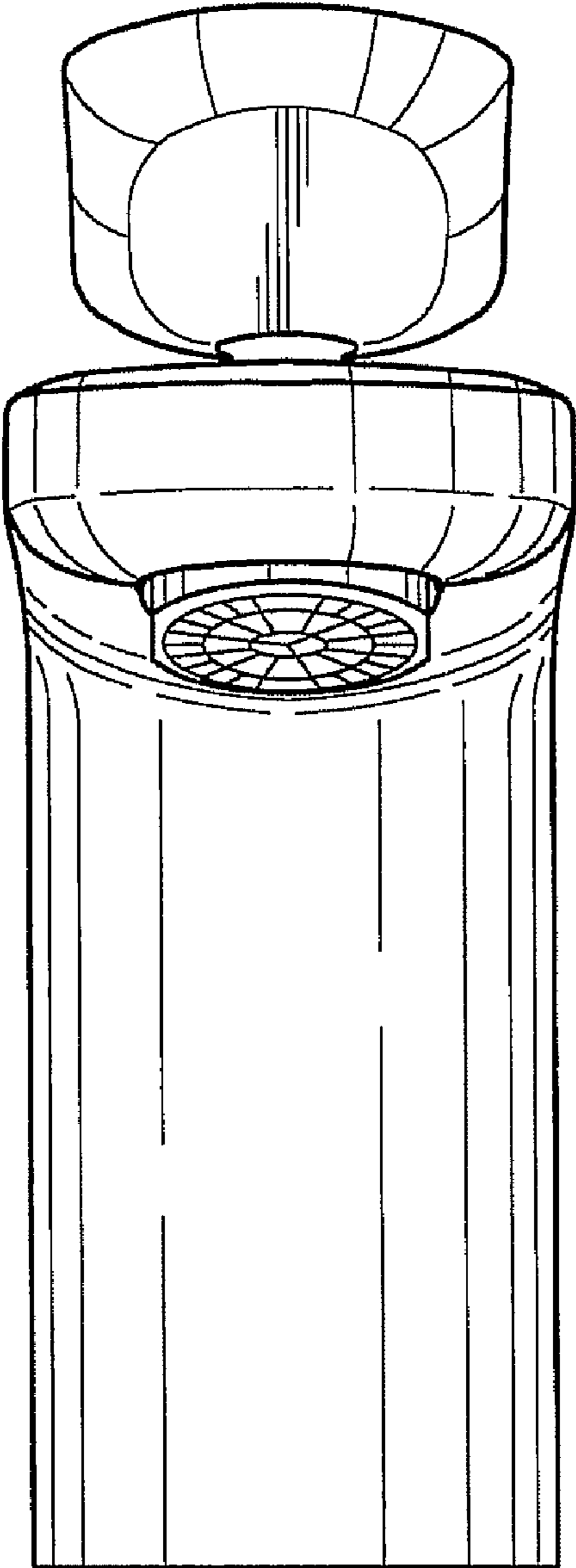
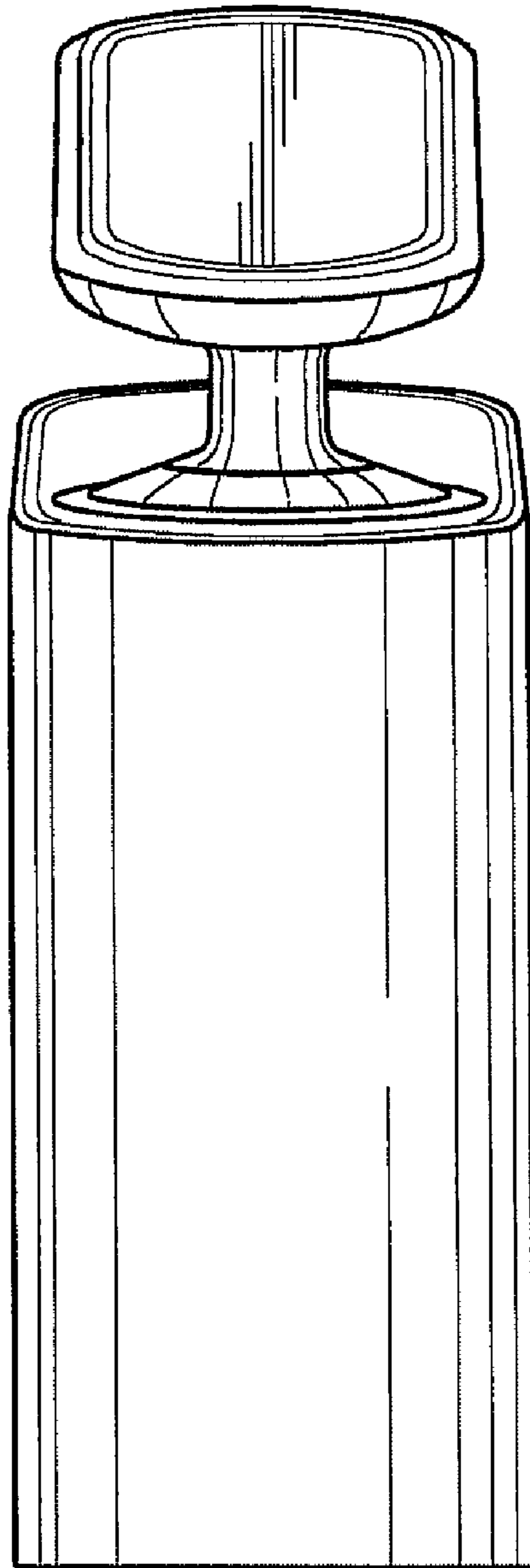


FIG. 4



**FIG. 5**

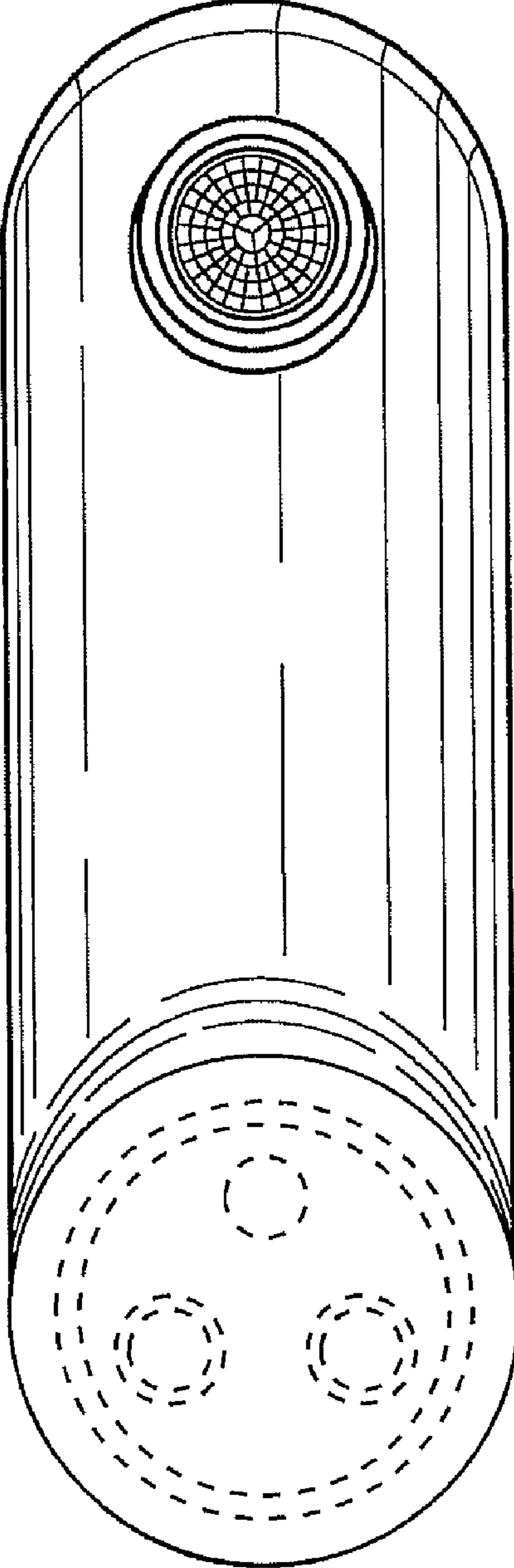


FIG. 6

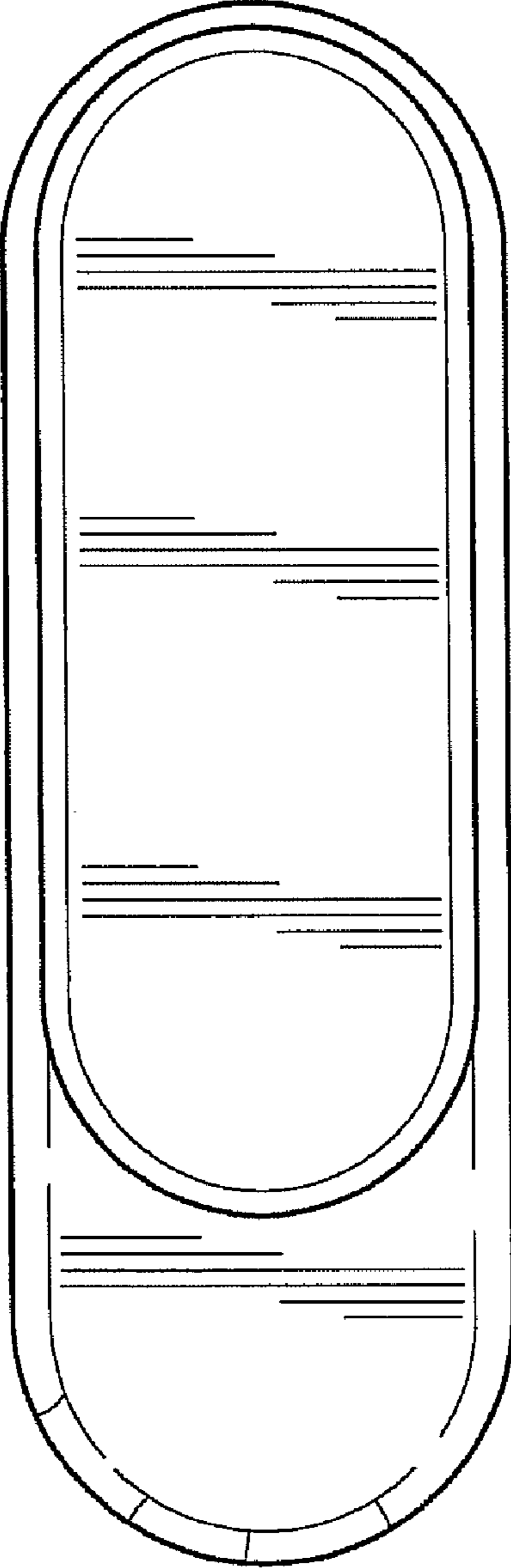


FIG. 7