



US00D605254S

(12) **United States Design Patent**  
**Lai**

(10) **Patent No.:** **US D605,254 S**

(45) **Date of Patent:** **\*\* Dec. 1, 2009**

(54) **SWITCH VALVE**

(76) Inventor: **Hung-Lin Lai**, 5-3, Chien Pan Lane,  
Kou Chien Li, Lu Kang Township,  
Chang Hua Hsien (TW)

(\*\*) Term: **14 Years**

(21) Appl. No.: **29/306,983**

(22) Filed: **Apr. 21, 2008**

(51) **LOC (9) Cl.** ..... **23-01**

(52) **U.S. Cl.** ..... **D23/233**

(58) **Field of Classification Search** ..... D23/233-237,  
D23/244-249; 137/309-311, 246, 222, 538,  
137/597, 625.11, 625.46, 625.64, 625.65,  
137/460, 498, 881, 883, 870; 251/174, 297,  
251/304; 62/324.1, 324.6

See application file for complete search history.

(56) **References Cited**

**U.S. PATENT DOCUMENTS**

D27,244 S *	6/1897	Ford	.....	D23/237
D300,171 S *	3/1989	Been	.....	D23/233
D351,897 S *	10/1994	Keeslar	.....	D23/233
5,992,823 A	11/1999	Hung-Lin		
D448,454 S	9/2001	Lai		
D470,222 S *	2/2003	Nortier	.....	D23/233

D473,631 S	4/2003	Lai		
D473,931 S *	4/2003	Lai	.....	D23/245
6,640,390 B1	11/2003	Lai		
D498,821 S *	11/2004	Nortier	.....	D23/249
D595,809 S *	7/2009	Madsen et al.	.....	D23/233

\* cited by examiner

*Primary Examiner*—Cathron C. Brooks

*Assistant Examiner*—Maurice Stevens

(74) *Attorney, Agent, or Firm*—Alan Kamrath; Kamrath & Associates PA

(57) **CLAIM**

The ornamental design for a switch valve, as shown and described.

**DESCRIPTION**

FIG. 1 is a perspective view of a switch valve showing my design;

FIG. 2 is a front elevational view thereof;

FIG. 3 is a rear elevational view thereof;

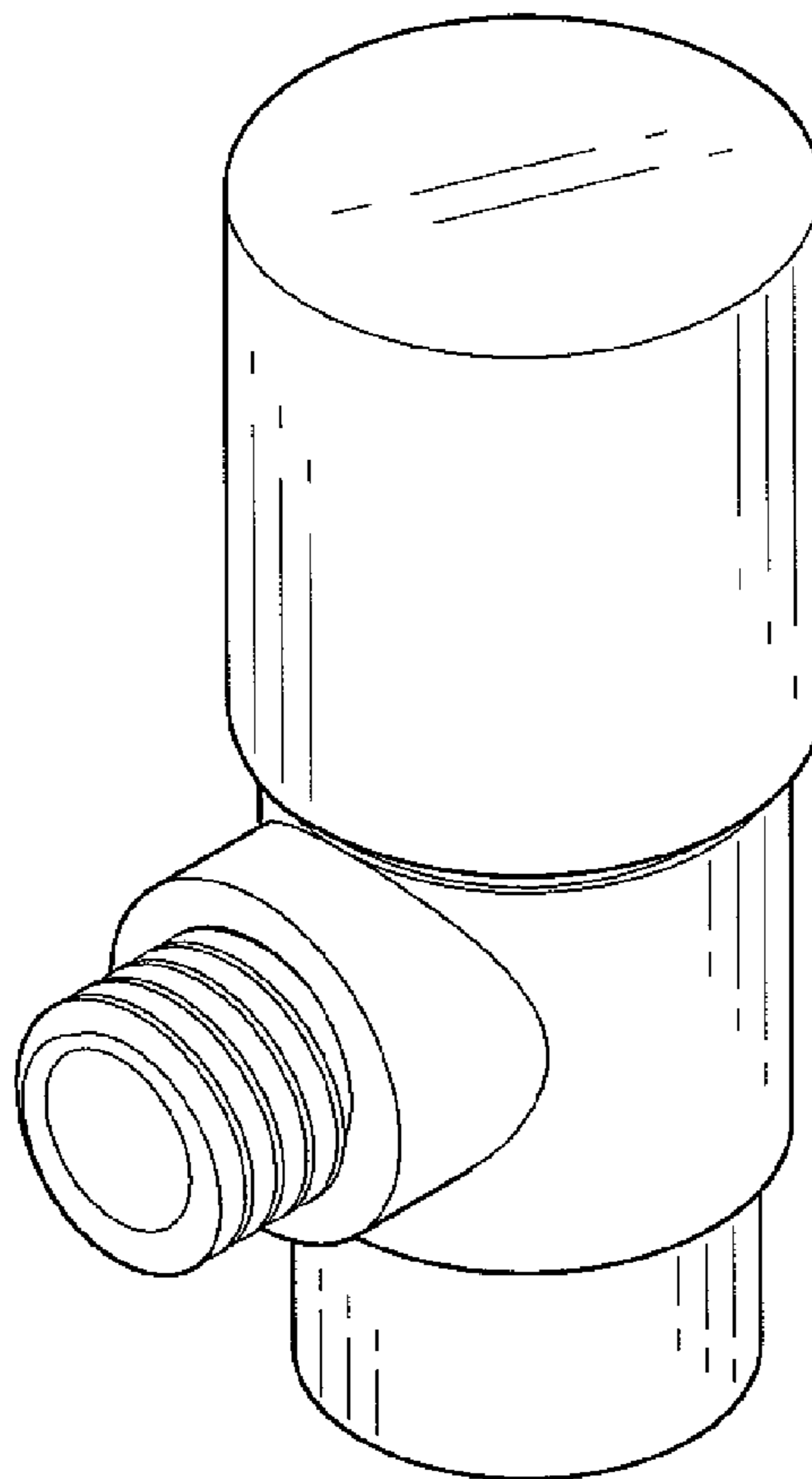
FIG. 4 is a left side elevational view thereof;

FIG. 5 is a right side elevational view thereof;

FIG. 6 is a top plan view thereof; and,

FIG. 7 is a bottom plan view thereof.

**1 Claim, 4 Drawing Sheets**



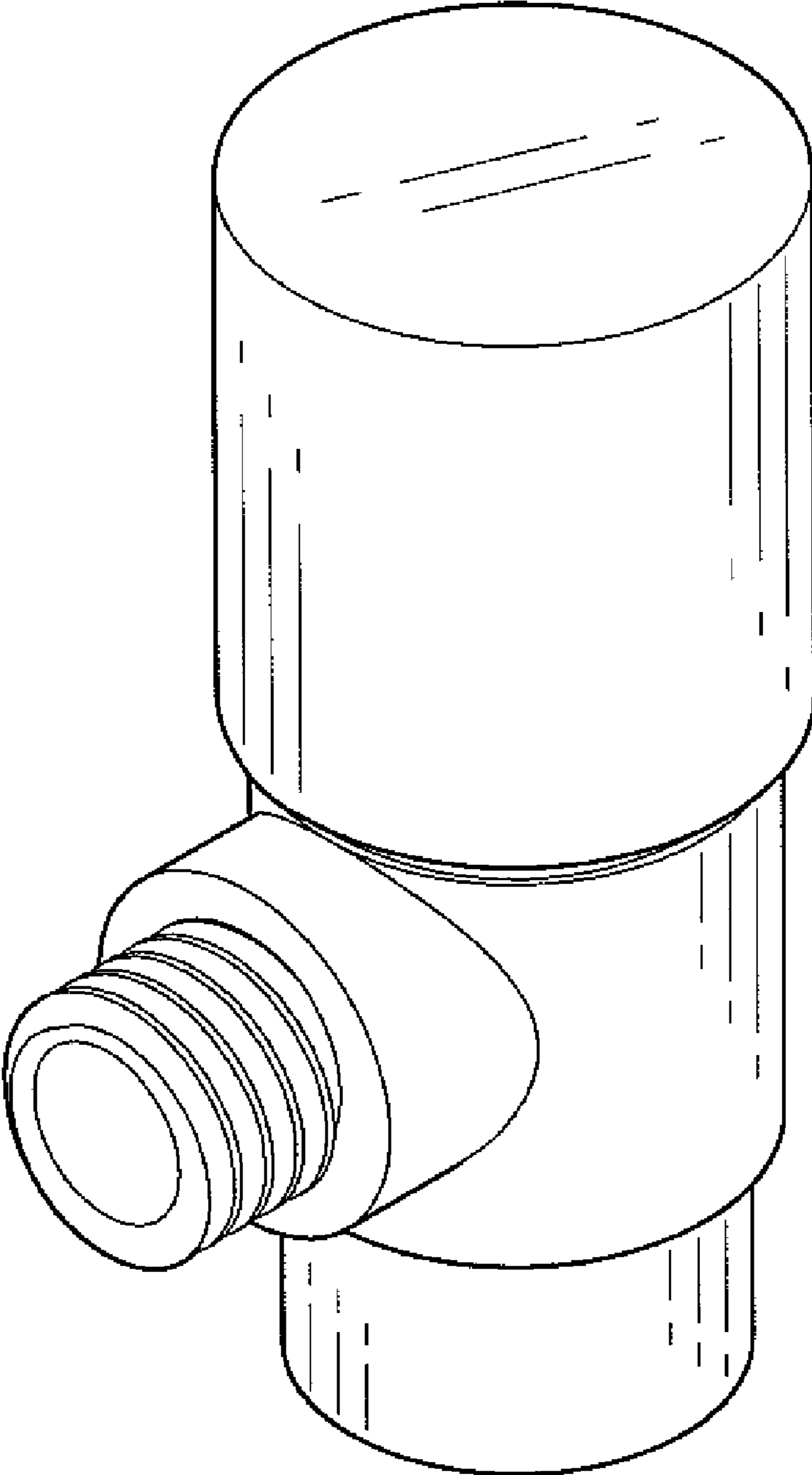


FIG. 1

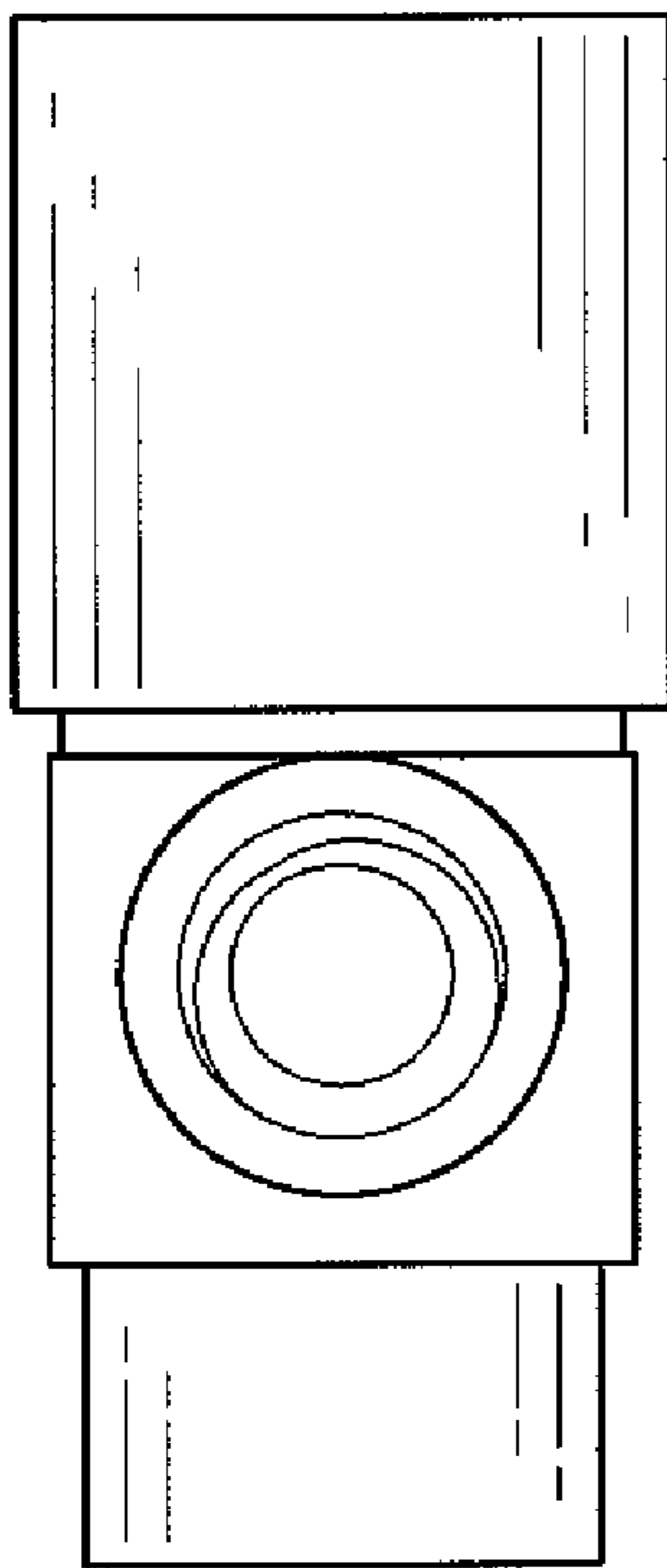


FIG. 2

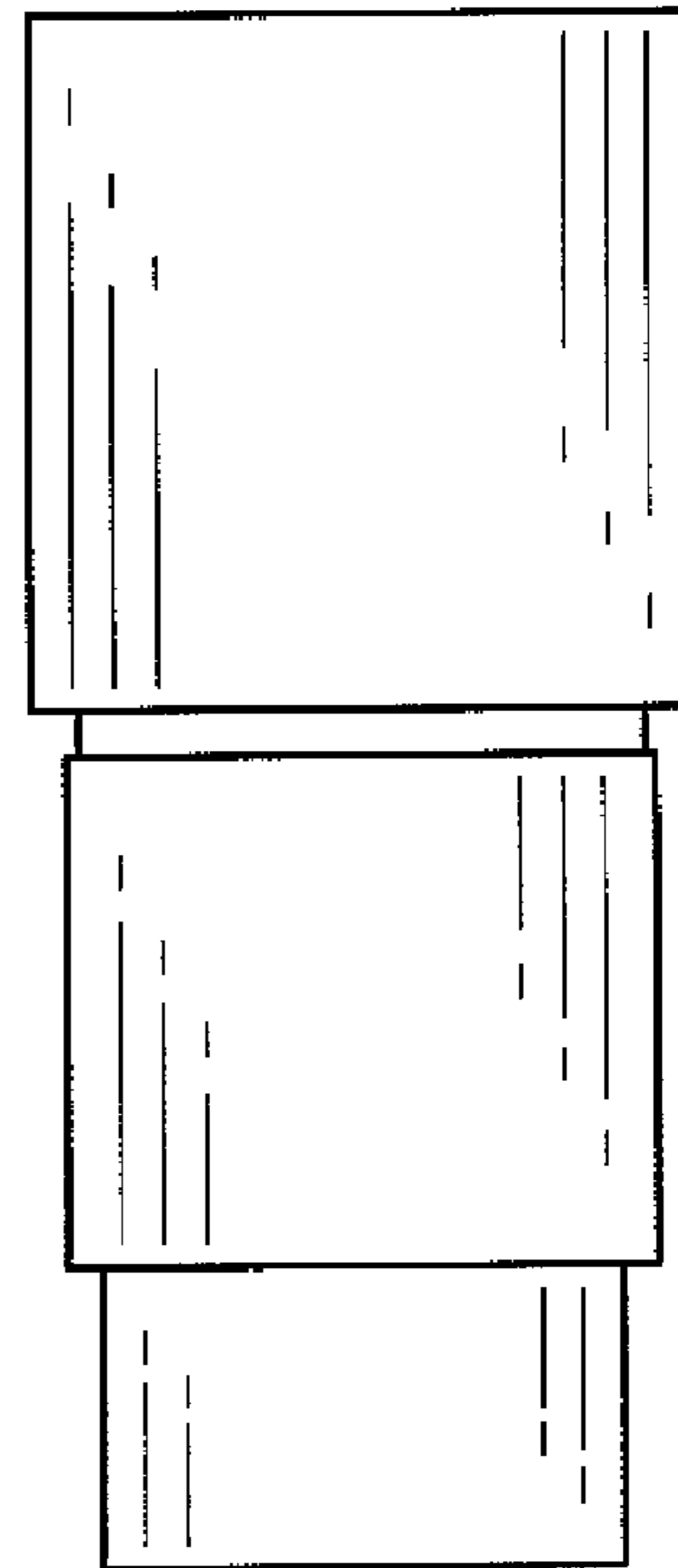


FIG. 3

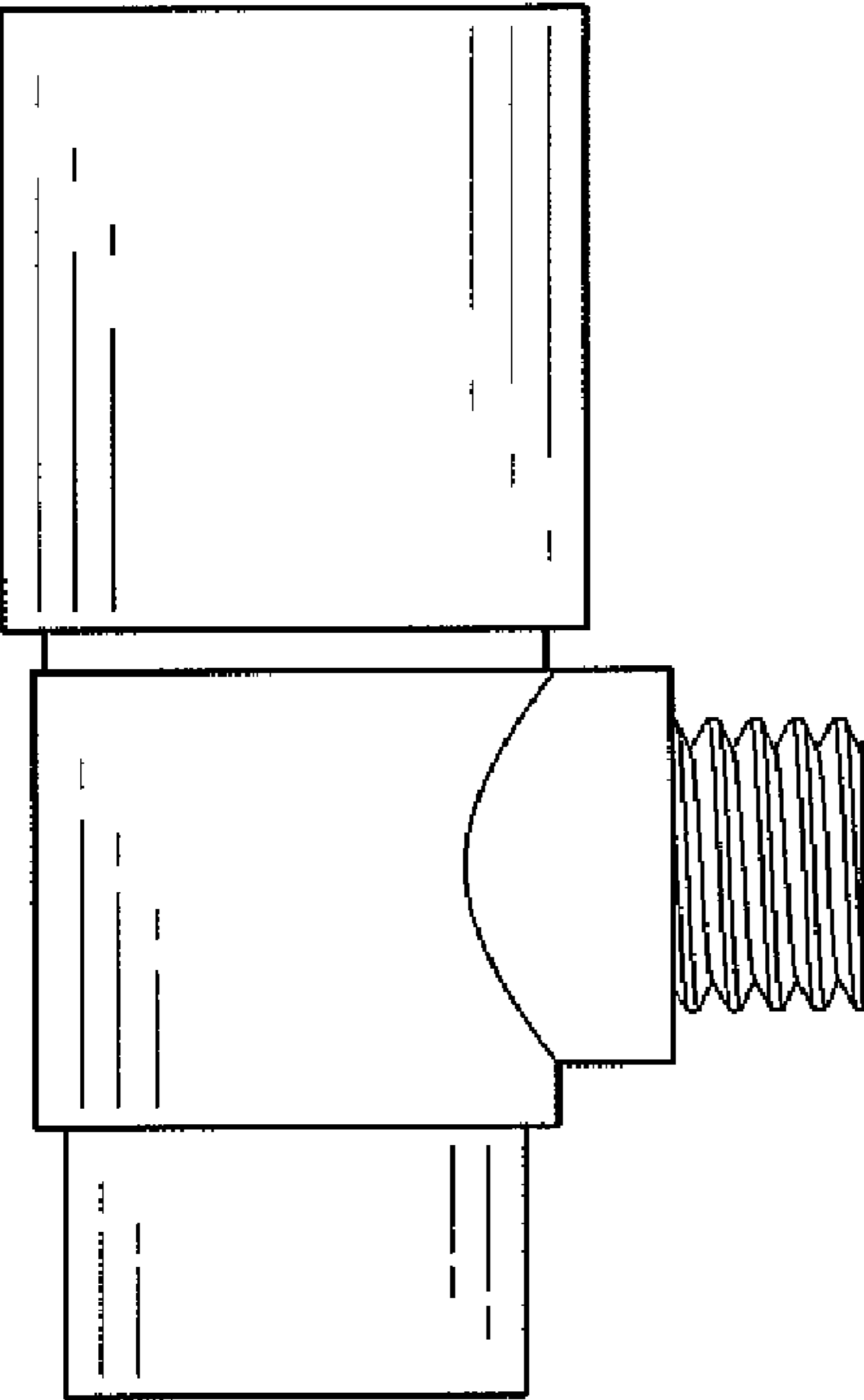


FIG. 4

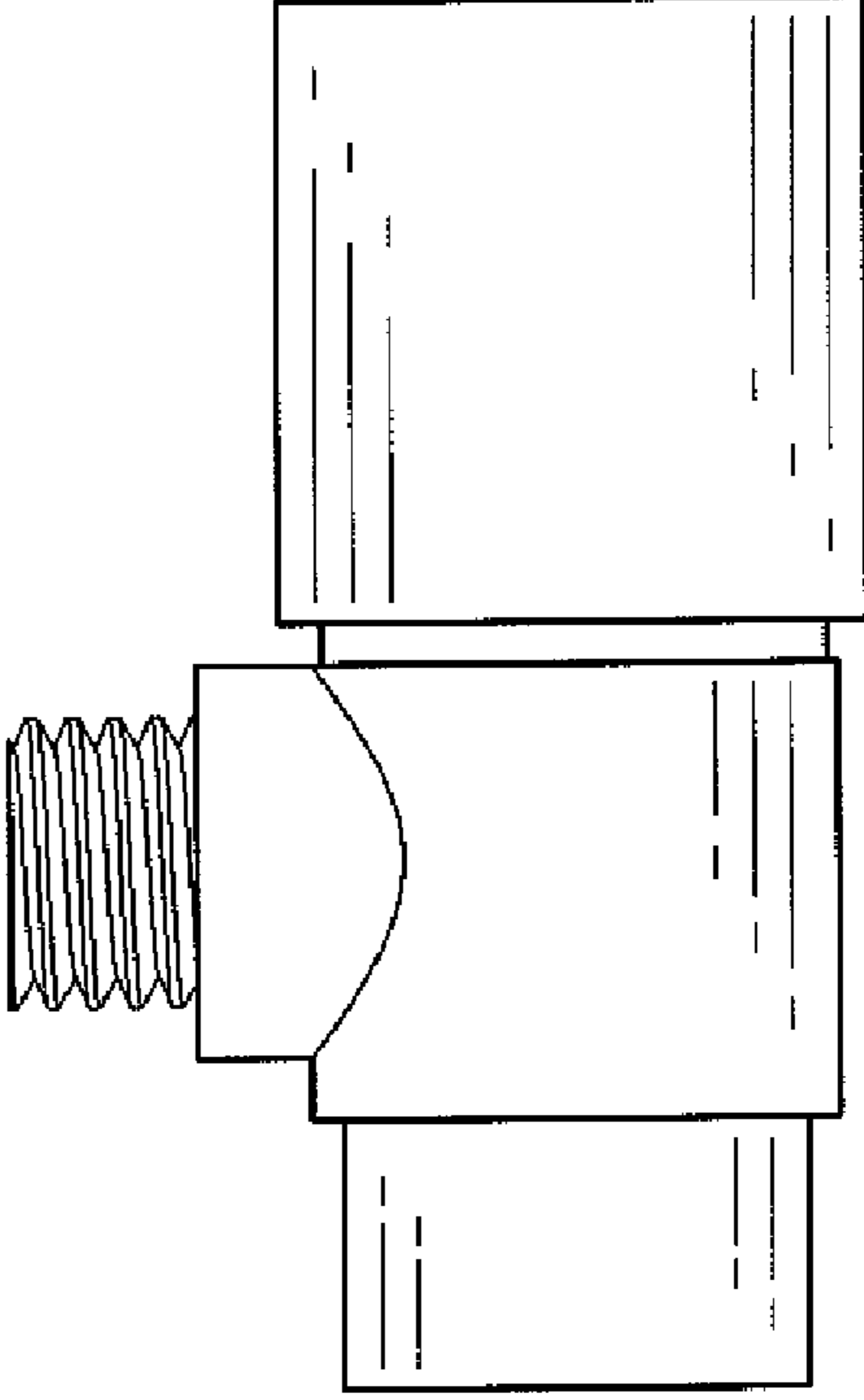


FIG. 5

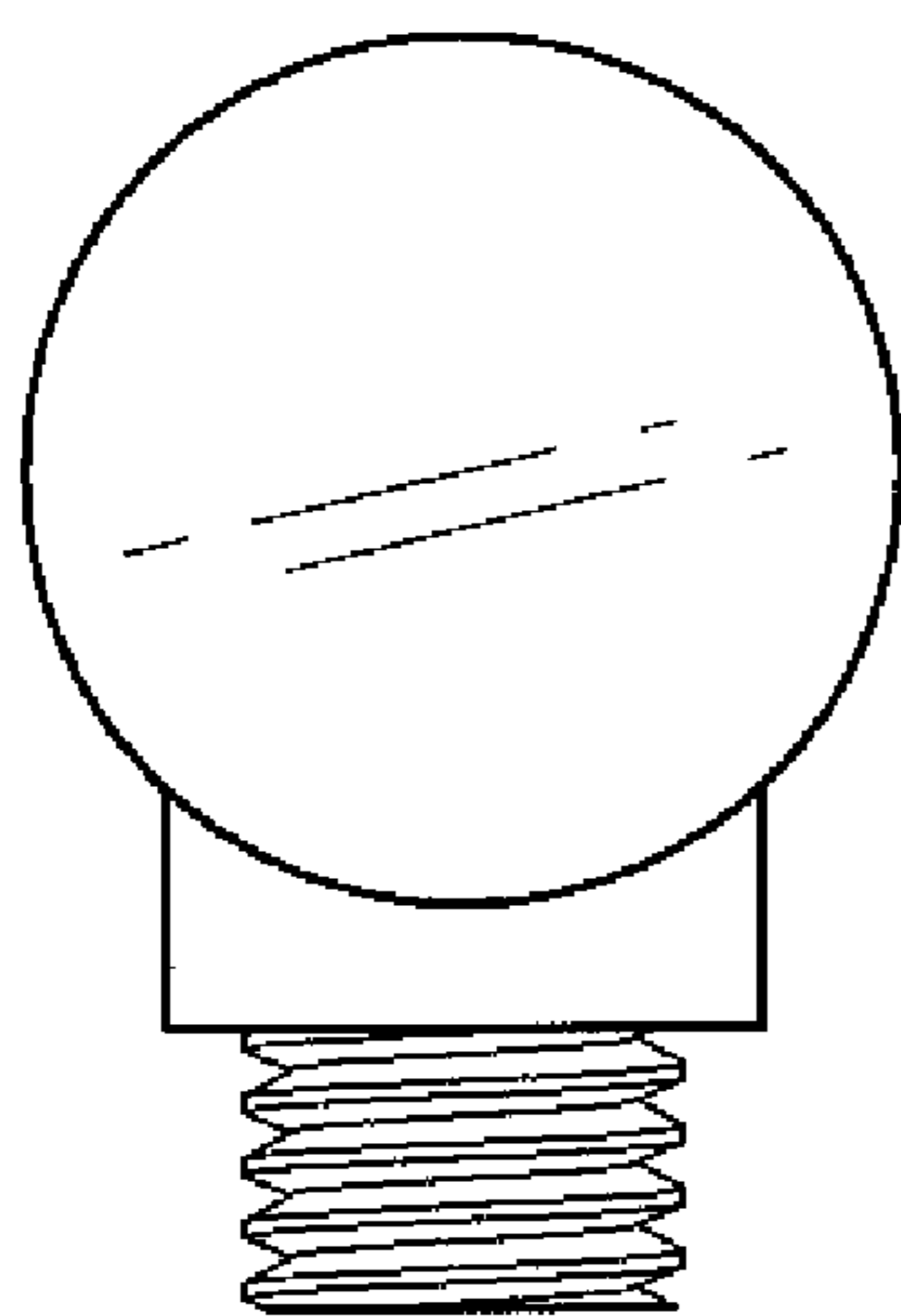


FIG. 6

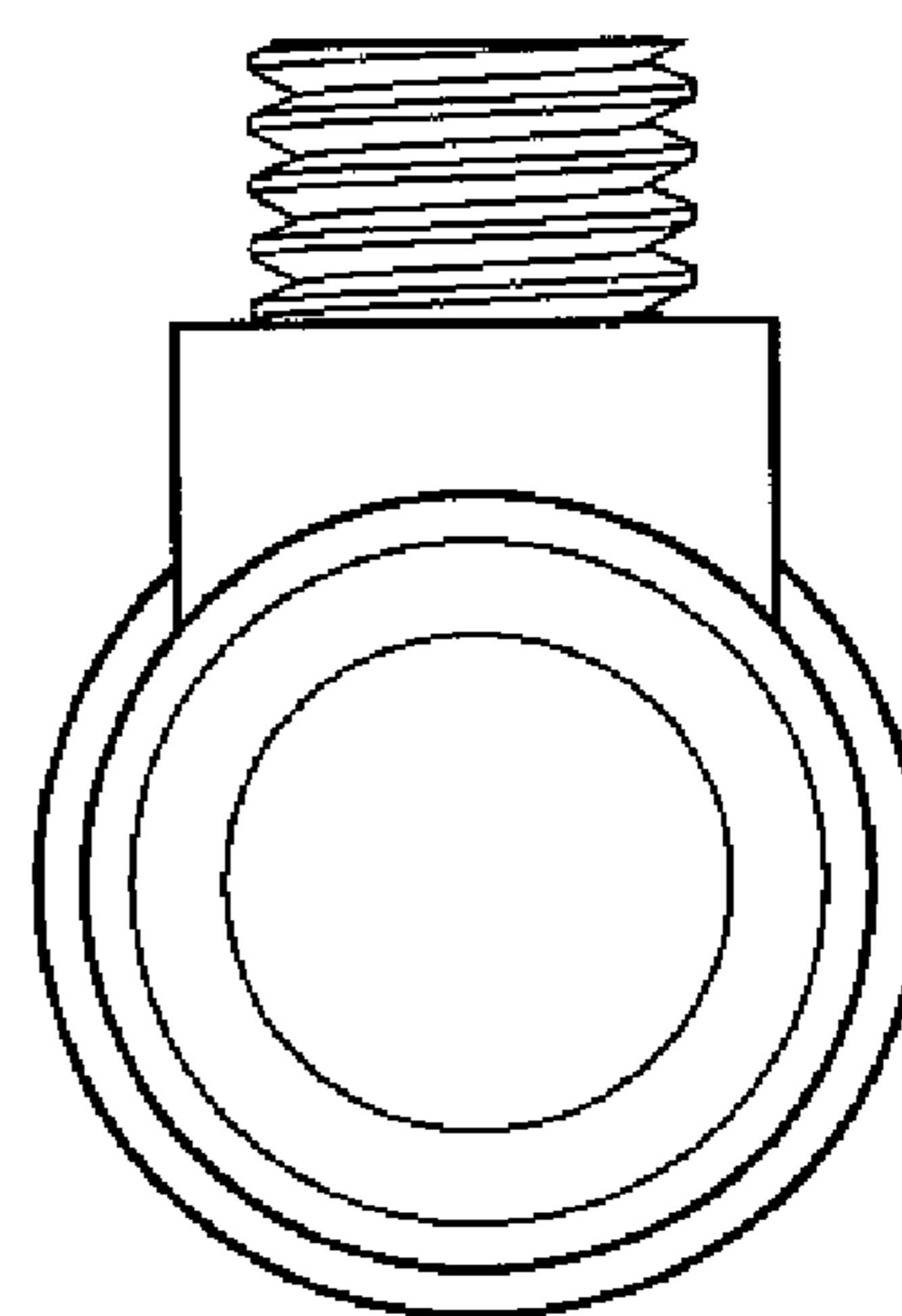


FIG. 7