



US00D605252S

(12) **United States Design Patent**
Lai

(10) **Patent No.:** **US D605,252 S**
(45) **Date of Patent:** **** Dec. 1, 2009**

(54) **SWITCH VALVE**

6,640,390 B1 11/2003 Lai
D495,031 S * 8/2004 Taylor D23/233
7,124,999 B1 * 10/2006 Lai 251/288

(76) Inventor: **Hung-Lin Lai**, 5-3, Chein Pan Lane,
Kou Chien Li, Lu Kang Township,
Chang Hua Hsien (TW)

* cited by examiner

(**) Term: **14 Years**

Primary Examiner—Cathron C. Brooks

Assistant Examiner—Maurice Stevens

(21) Appl. No.: **29/306,981**

(74) *Attorney, Agent, or Firm*—Alan Kamrath; Kamrath &
Associates PA

(22) Filed: **Apr. 21, 2008**

(57) **CLAIM**

(51) **LOC (9) Cl.** **23-01**

(52) **U.S. Cl.** **D23/233**

(58) **Field of Classification Search** D23/233–237,
D23/244–249; 137/309–311, 246, 222, 538,
137/597, 625.11, 625.46, 625.64, 625.65,
137/460, 498, 870, 881, 883; 251/174, 297,
251/304; 62/324.1, 324.6

The ornamental design for a switch valve, as shown and
described.

See application file for complete search history.

DESCRIPTION

(56) **References Cited**

U.S. PATENT DOCUMENTS

D27,244 S * 6/1897 Ford D23/237
5,992,823 A 11/1999 Hung-Lin
D448,454 S * 9/2001 Lai D23/245
D470,222 S * 2/2003 Nortier D23/233
D473,631 S 4/2003 Lai
D473,931 S * 4/2003 Lai D23/245

FIG. 1 is a perspective view of a switch valve showing my
design;

FIG. 2 is a front elevational view thereof;

FIG. 3 is a rear elevational view thereof;

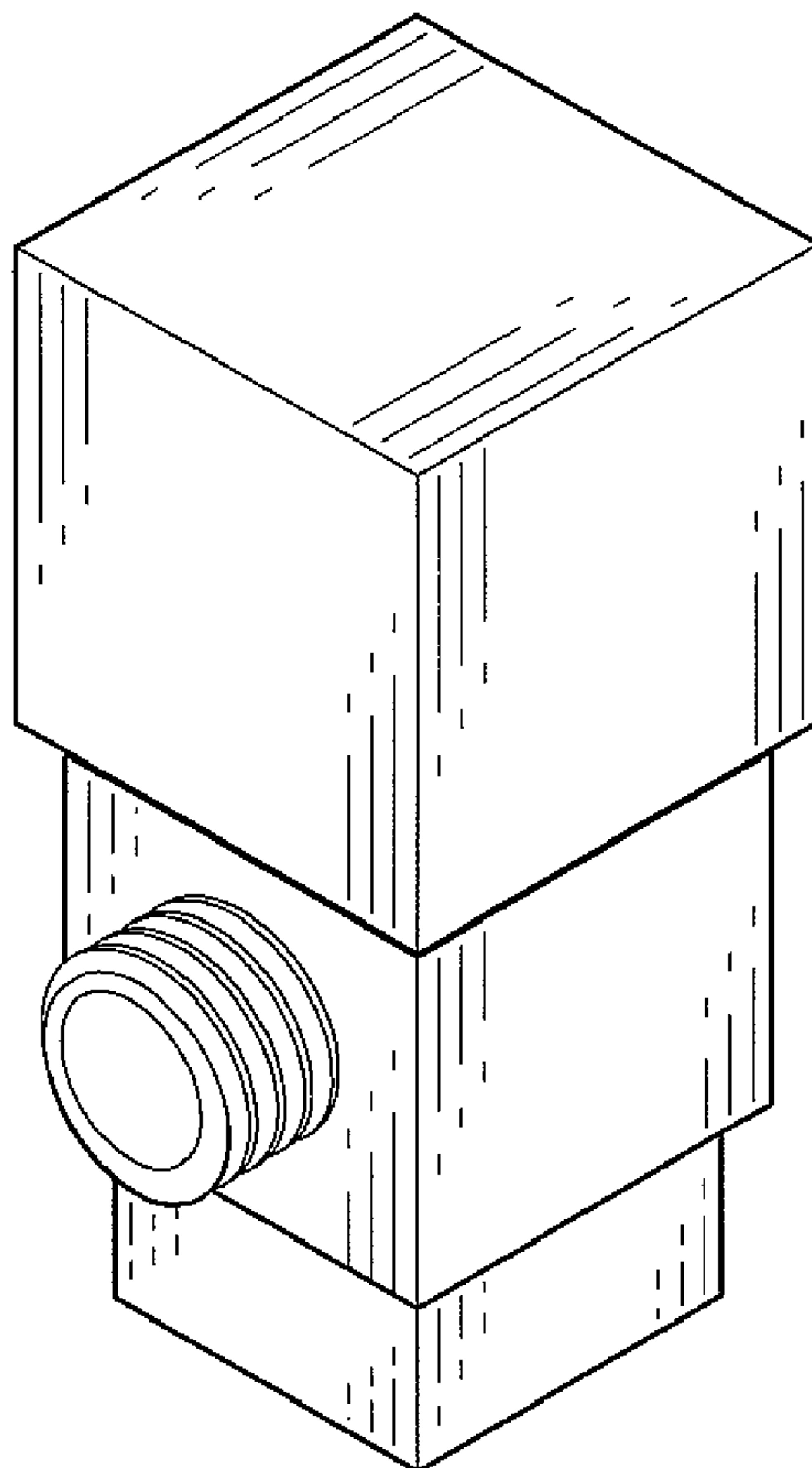
FIG. 4 is a left side elevational view thereof;

FIG. 5 is a right side elevational view thereof;

FIG. 6 is a top plan view thereof; and,

FIG. 7 is a bottom plan view thereof.

1 Claim, 4 Drawing Sheets



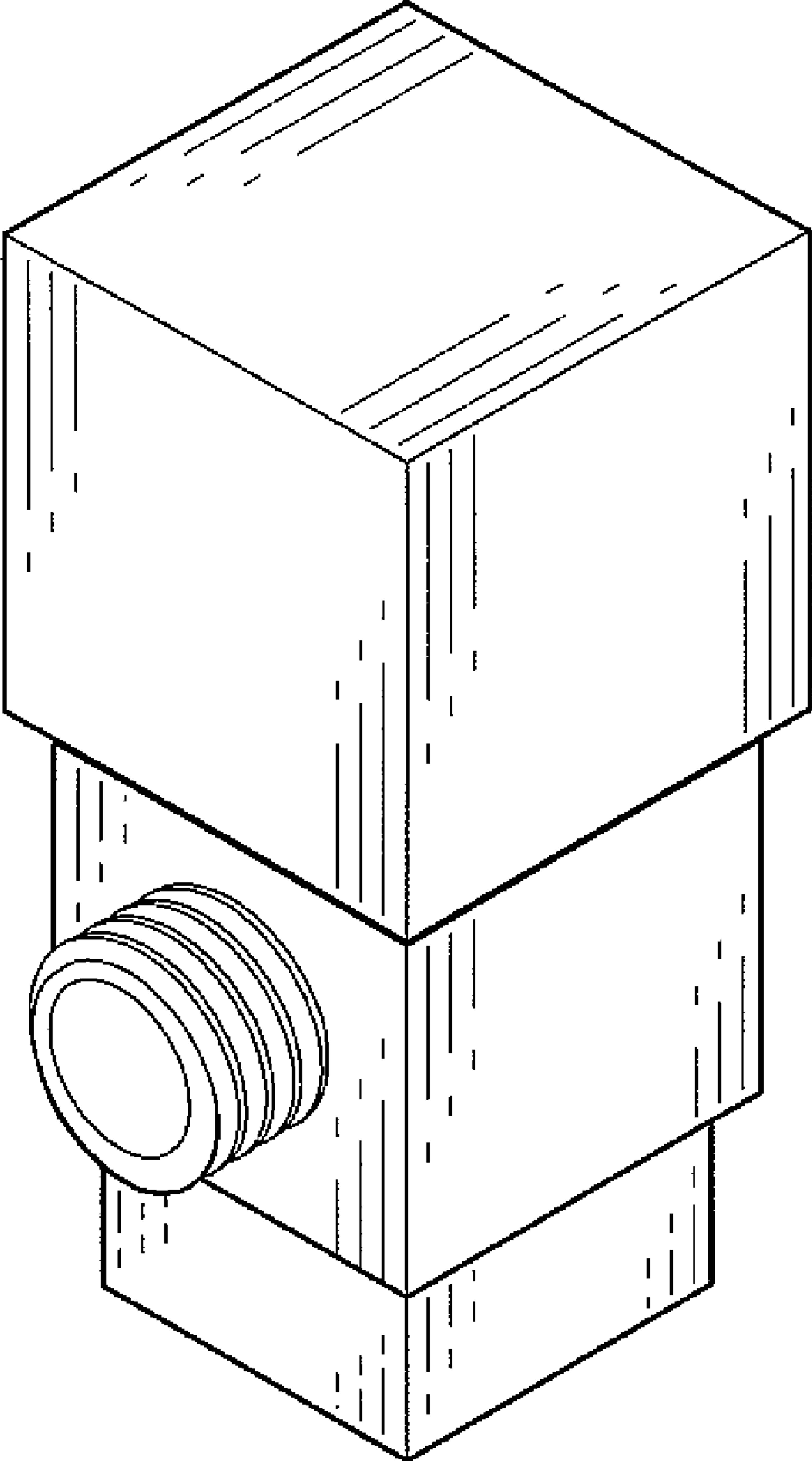


FIG. 1

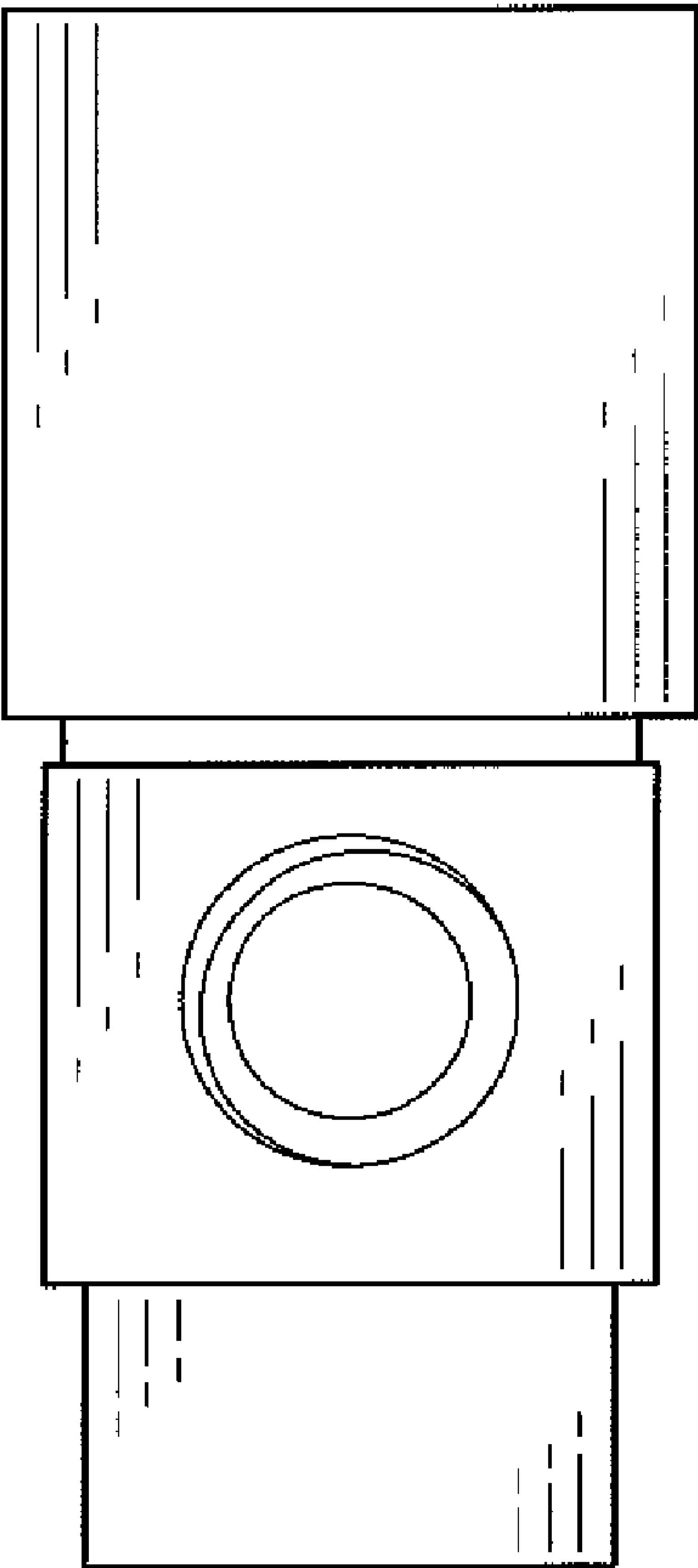


FIG. 2

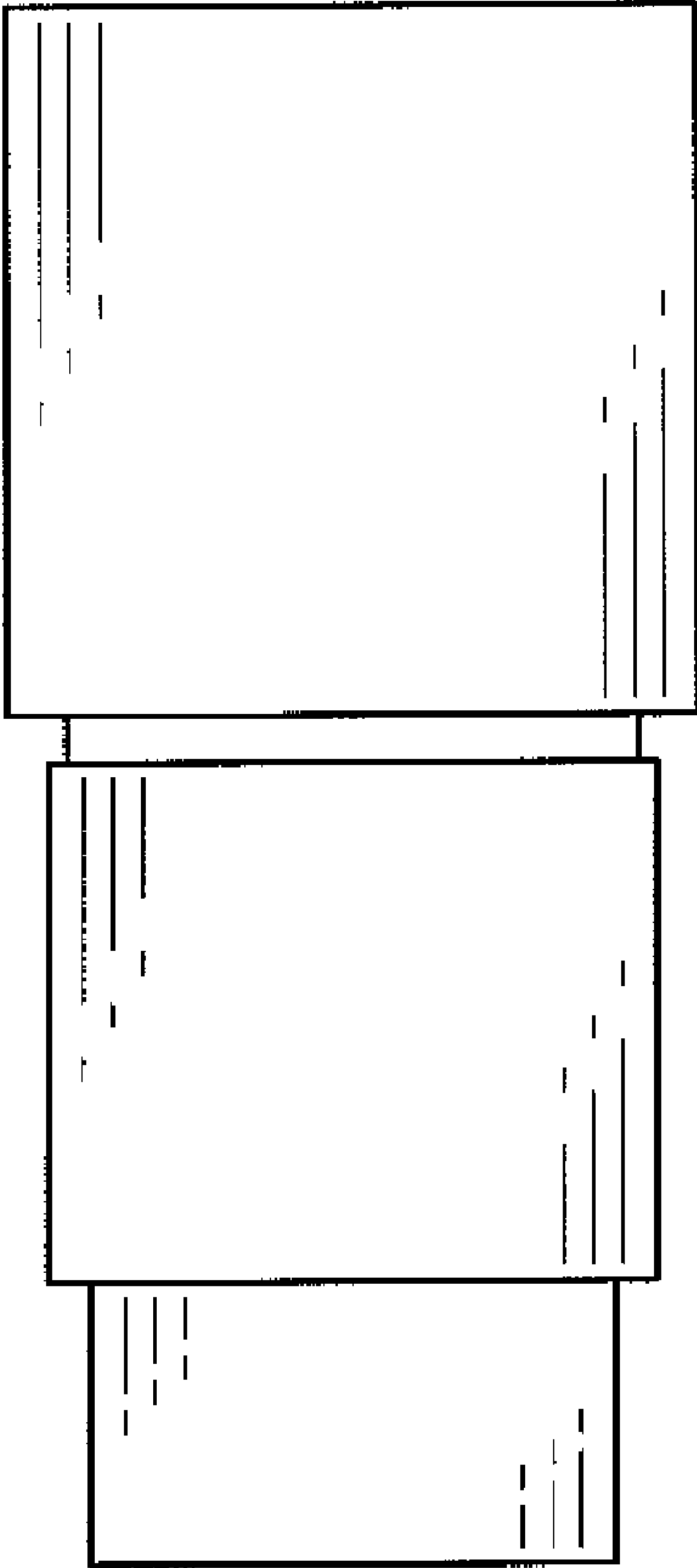


FIG. 3

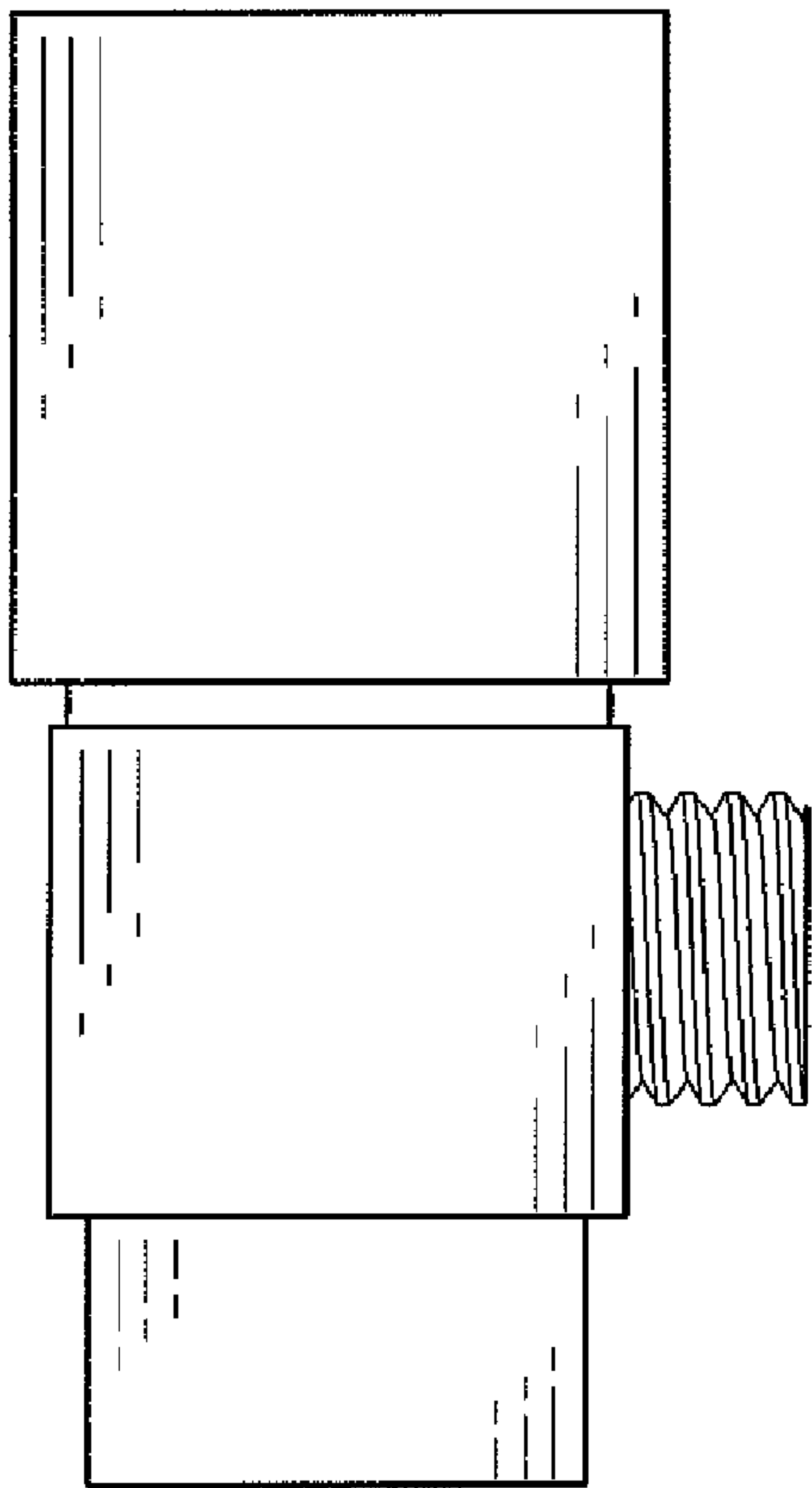


FIG. 4

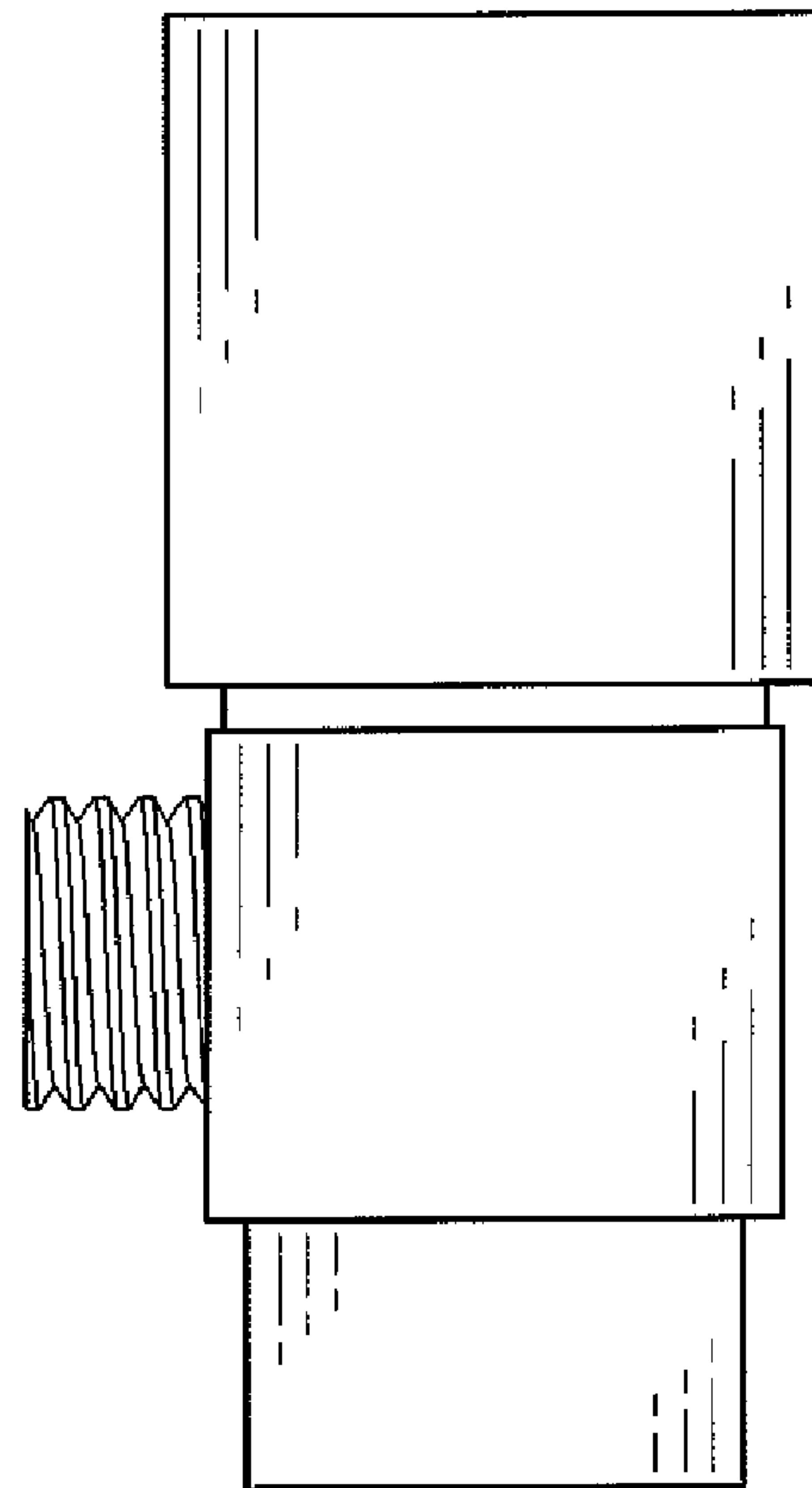


FIG. 5

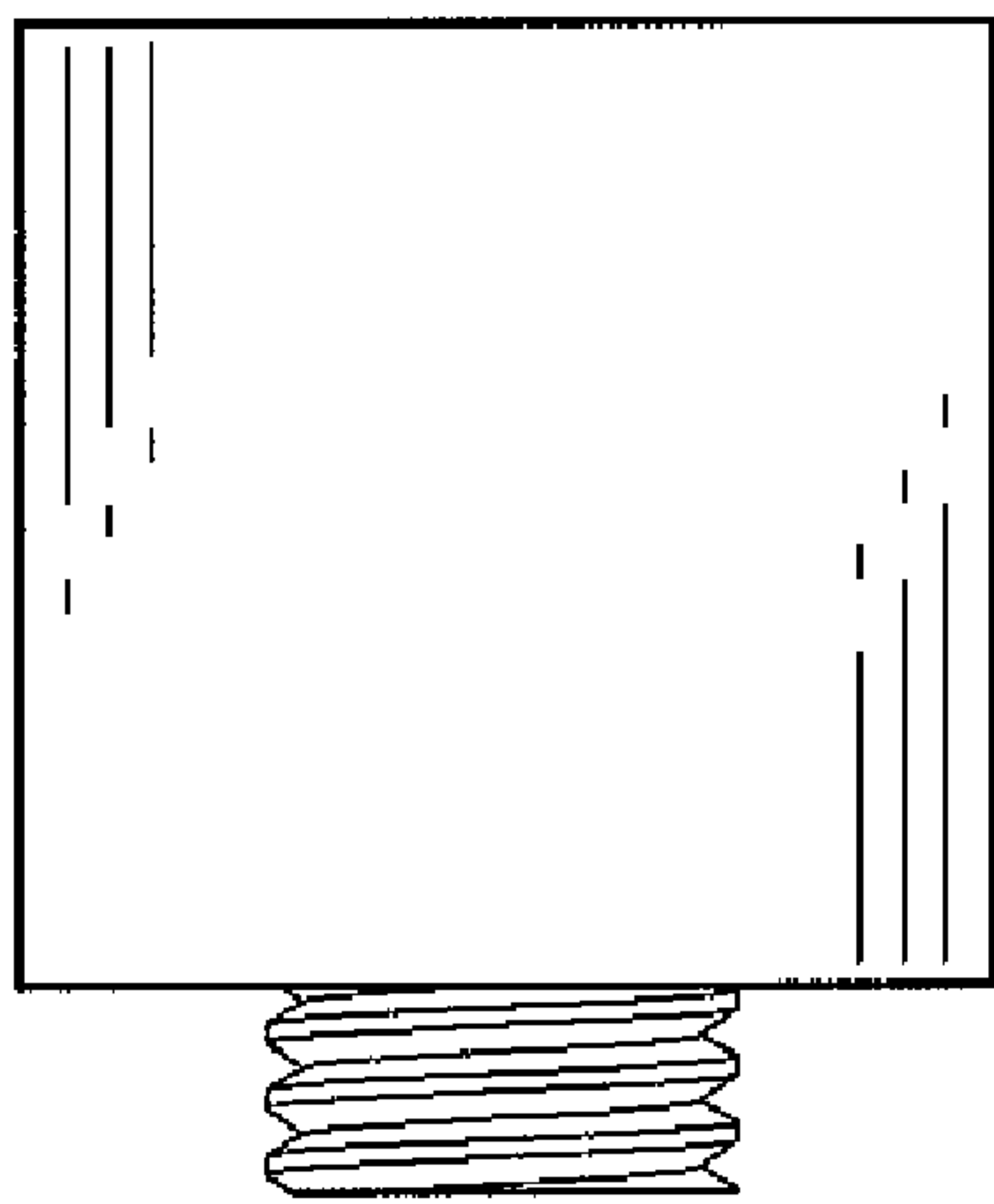


FIG. 6

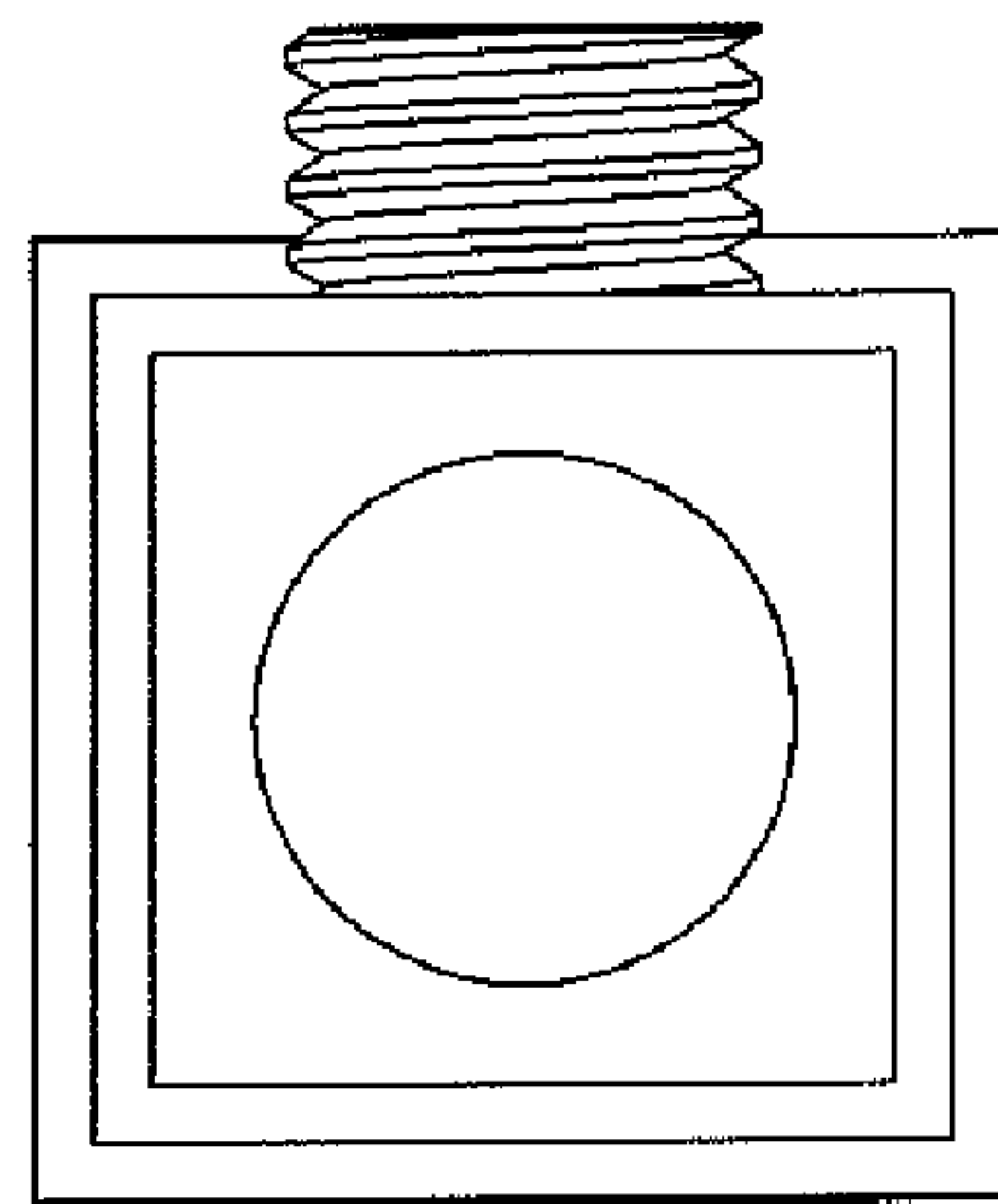


FIG. 7