

US00D605251S

(12) **United States Design Patent**
Zore

(10) **Patent No.:** **US D605,251 S**
(45) **Date of Patent:** **** Dec. 1, 2009**

(54) **NOZZLE**

(75) Inventor: **William Francis Zore**, Friedens, PA
(US)

(73) Assignee: **Robert Bosch GmbH**, Stuttgart (DE)

(**) Term: **14 Years**

(21) Appl. No.: **29/326,957**

(22) Filed: **Oct. 28, 2008**

(51) **LOC (9) Cl.** **23-01**

(52) **U.S. Cl.** **D23/226**

(58) **Field of Classification Search** D23/213,
D23/223; 239/525-526, 532

See application file for complete search history.

(56) **References Cited**

U.S. PATENT DOCUMENTS

3,207,444	A	9/1965	Kelly et al.
4,470,549	A	9/1984	McMillan et al.
4,899,940	A	2/1990	Leaver
4,903,897	A	2/1990	Hayes
D325,620	S	4/1992	Heren
D338,706	S	8/1993	Wang
D340,762	S	10/1993	Wang
D355,952	S	2/1995	Wang
D355,953	S	2/1995	Wang
D359,101	S	6/1995	Kuo
D372,297	S	7/1996	Wang
D373,814	S	9/1996	Wang
D384,398	S	9/1997	Wang
D385,948	S	11/1997	Guo
D390,633	S	2/1998	Guo
D392,719	S	3/1998	Guo
D394,305	S	5/1998	Kuo
D407,140	S	3/1999	Heren
D408,068	S	4/1999	Hui-Chen
D408,496	S	4/1999	Wang
D408,497	S	4/1999	Wang
D409,717	S	5/1999	Heren et al.
D409,720	S	5/1999	Guo
D410,730	S	6/1999	Wang
D410,994	S	6/1999	Hui-Chen

D412,356	S	7/1999	Hui-Chen
D415,249	S	10/1999	Wang
D415,557	S	10/1999	Kuo
D427,660	S	7/2000	Casica et al.
D431,069	S	9/2000	Heren

(Continued)

OTHER PUBLICATIONS

www.target.com website page; Published at least as early as Jun. 6, 2008; One page.

www.doitbest.com website page; Published at least as early as Jun. 6, 2008; One page.

Primary Examiner—Robin V Webster

(74) *Attorney, Agent, or Firm*—Maginot, Moore & Beck

(57) **CLAIM**

The ornamental design for a nozzle, as shown and described.

DESCRIPTION

FIG. 1 is a perspective view of a nozzle showing my new design;

FIG. 2 is a left side elevational view showing the design for the nozzle of FIG. 1;

FIG. 3 is a right side elevational view showing the design for the nozzle of FIG. 1;

FIG. 4 is a front elevational view showing the design for the nozzle of FIG. 1;

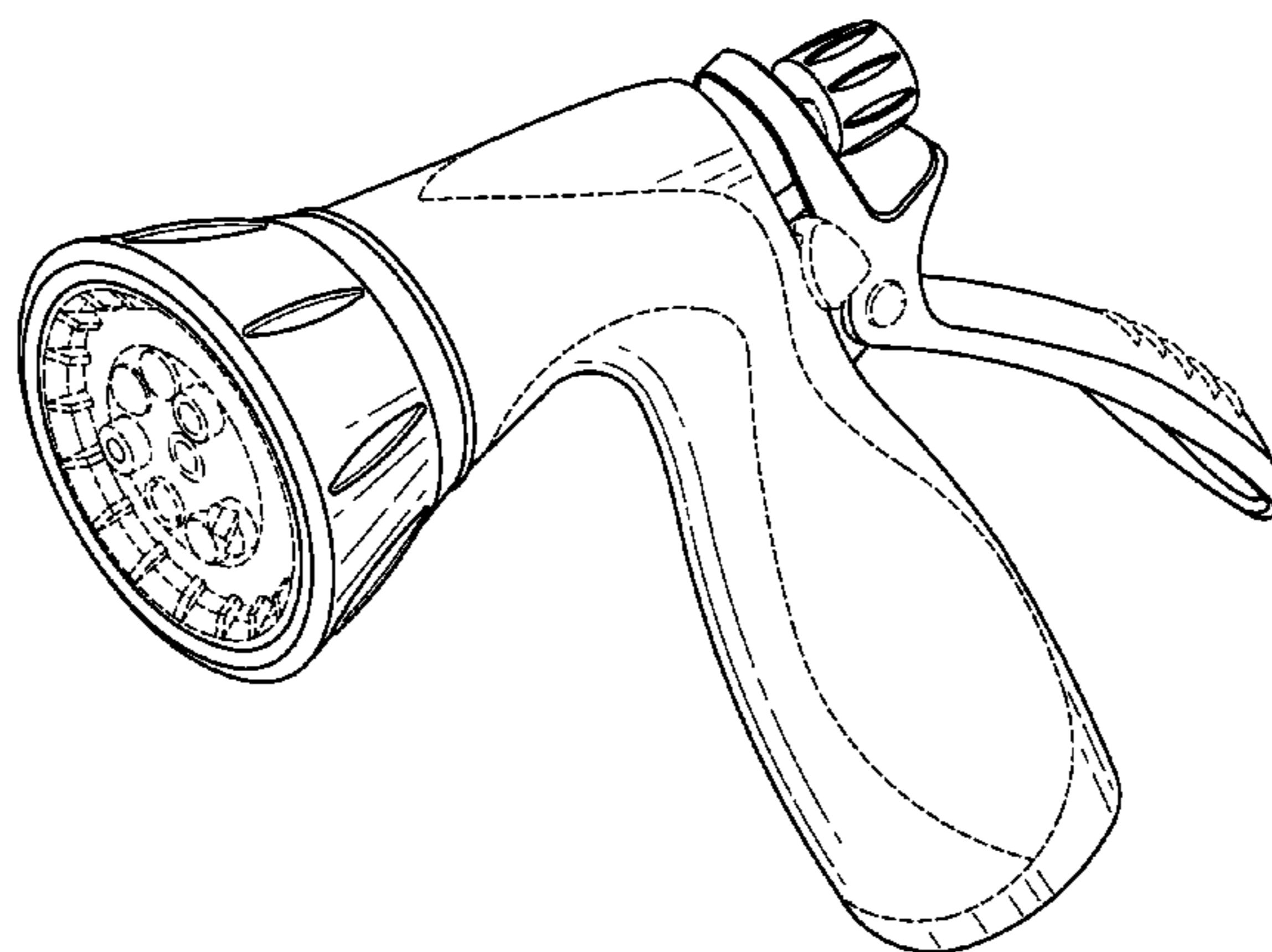
FIG. 5 is a rear elevational view showing the design for the nozzle of FIG. 1;

FIG. 6 is a top elevational view showing the design for the nozzle of FIG. 1; and,

FIG. 7 is a bottom elevational view showing the design for the nozzle of FIG. 1.

The broken line showing of portions of the nozzle is included for illustrative purposes only and forms no part of the claimed design.

1 Claim, 5 Drawing Sheets



US D605,251 S

Page 2

U.S. PATENT DOCUMENTS

D432,628 S	10/2000	Chao	
D433,099 S	10/2000	Chao	
D437,391 S	2/2001	Chao	
D445,873 S	7/2001	Wang	
D446,282 S	8/2001	Wang	
D447,790 S	9/2001	Heren et al.	
D449,671 S *	10/2001	Wang D23/226
D451,982 S	12/2001	Chao	
D454,619 S *	3/2002	Wang D23/226
D459,435 S	6/2002	Fauquet	
D461,225 S	8/2002	Chen	
D471,958 S *	3/2003	Nien D23/226
D472,605 S	4/2003	Nien	
D479,302 S	9/2003	Chen	
D492,979 S	7/2004	Chen	
D496,430 S	9/2004	Kuo	
D513,428 S *	1/2006	Chen D23/226
D515,662 S	2/2006	Chen	
D517,645 S *	3/2006	Chang D23/226
7,025,291 B2 *	4/2006	Wu 239/526
D554,234 S *	10/2007	Chih D23/226
D557,378 S	12/2007	Chen	
D557,379 S	12/2007	Chen	
D565,700 S	4/2008	Chen	

* cited by examiner

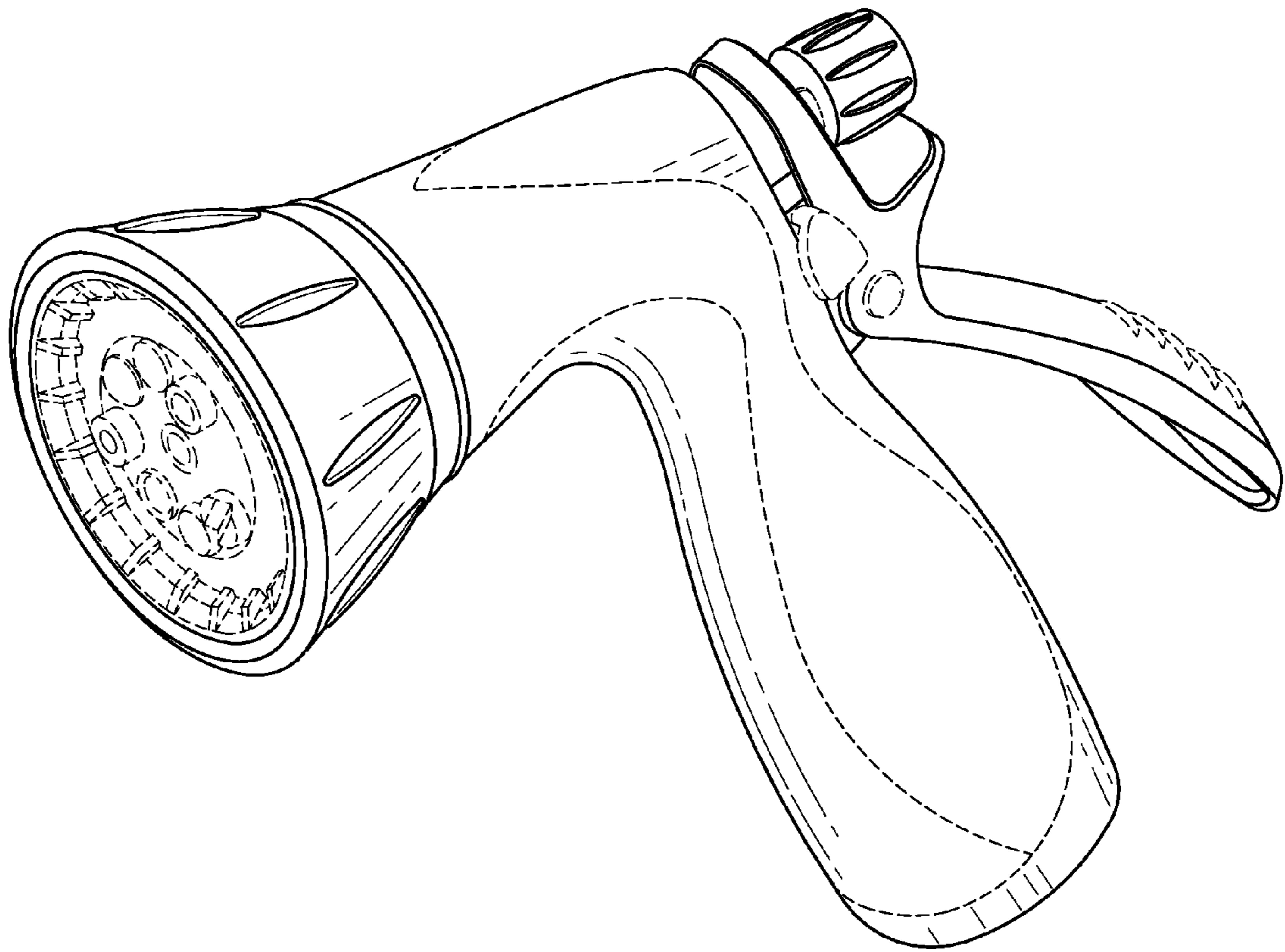


Fig. 1

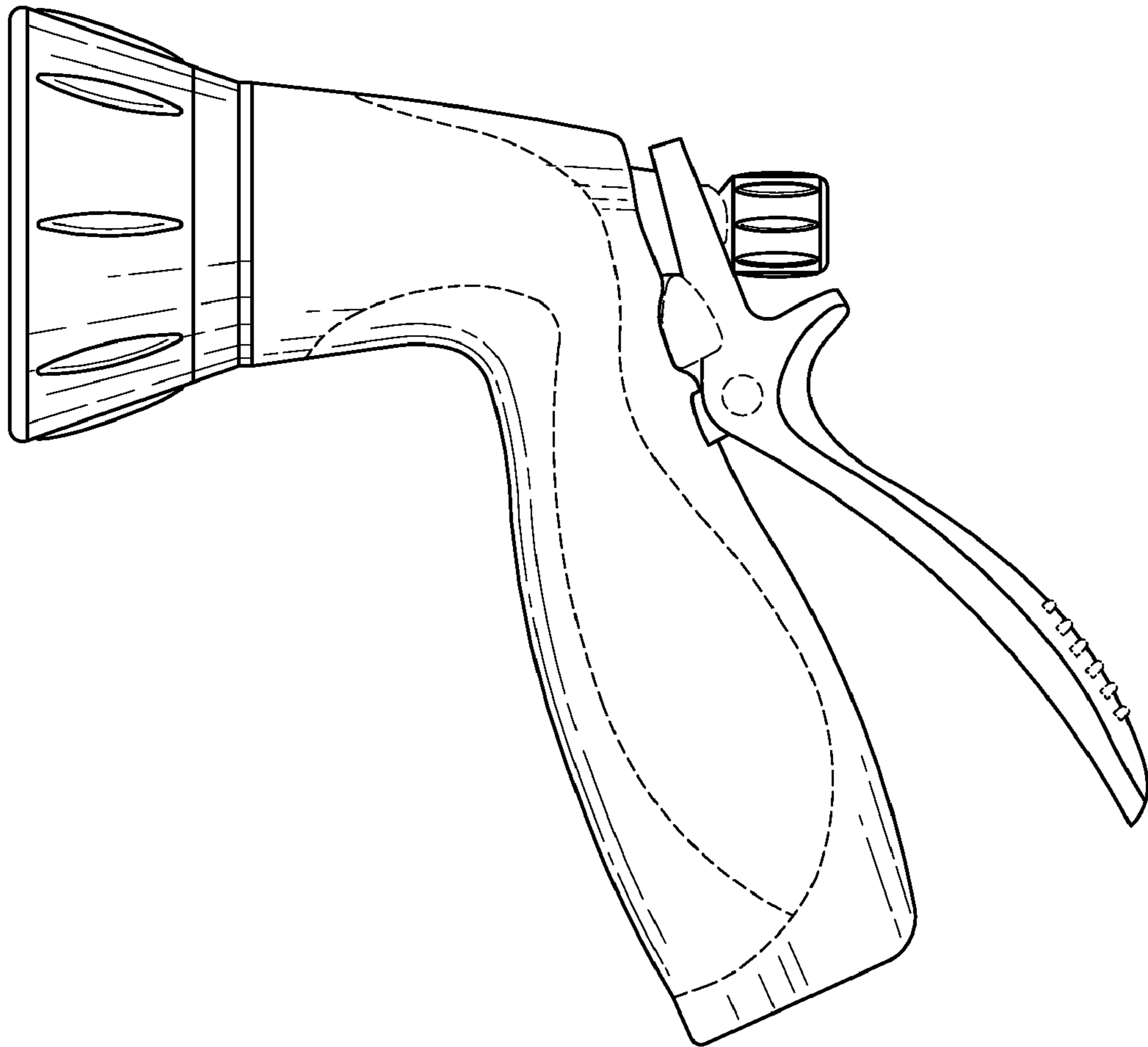


Fig. 2

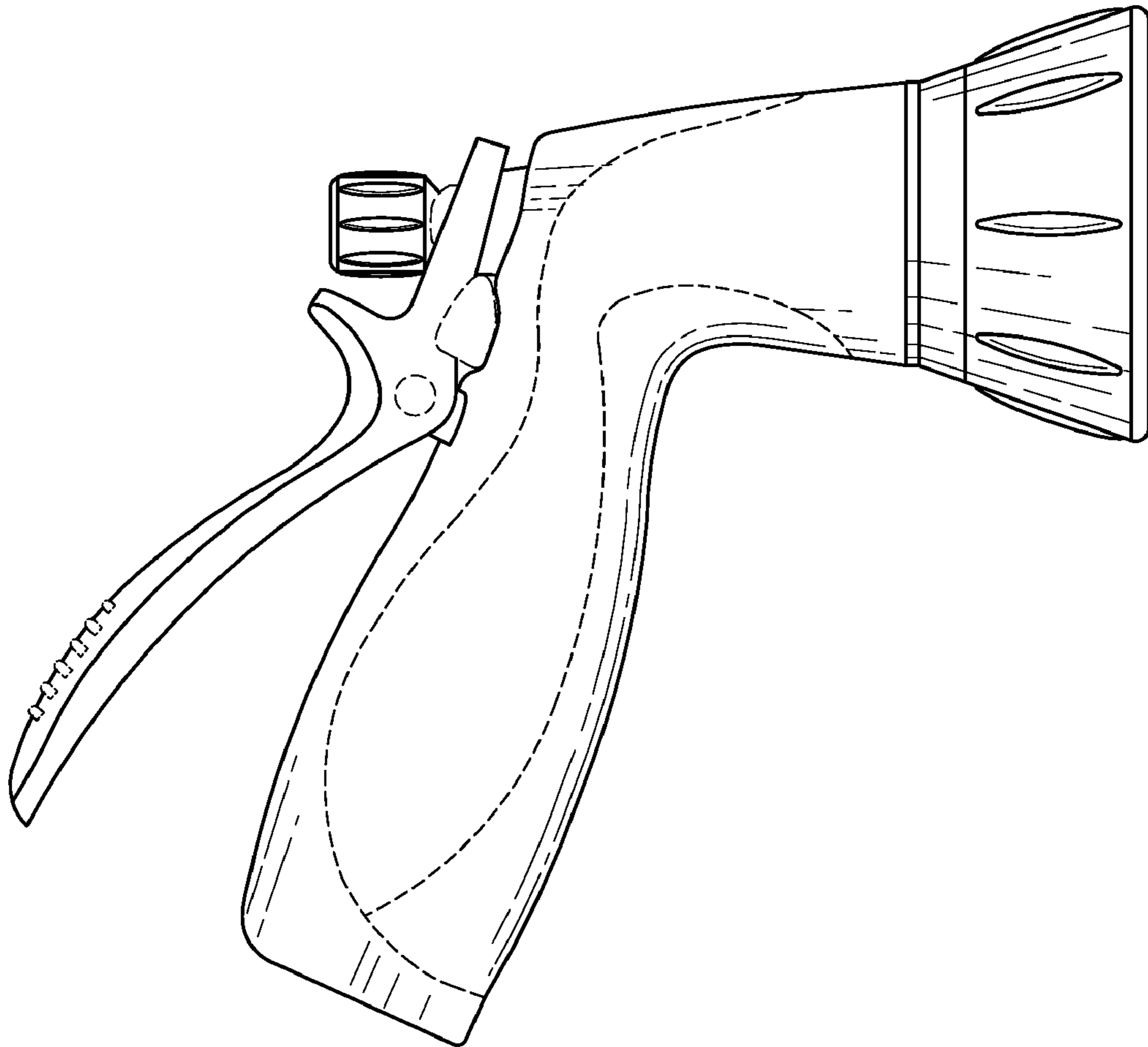


Fig. 3

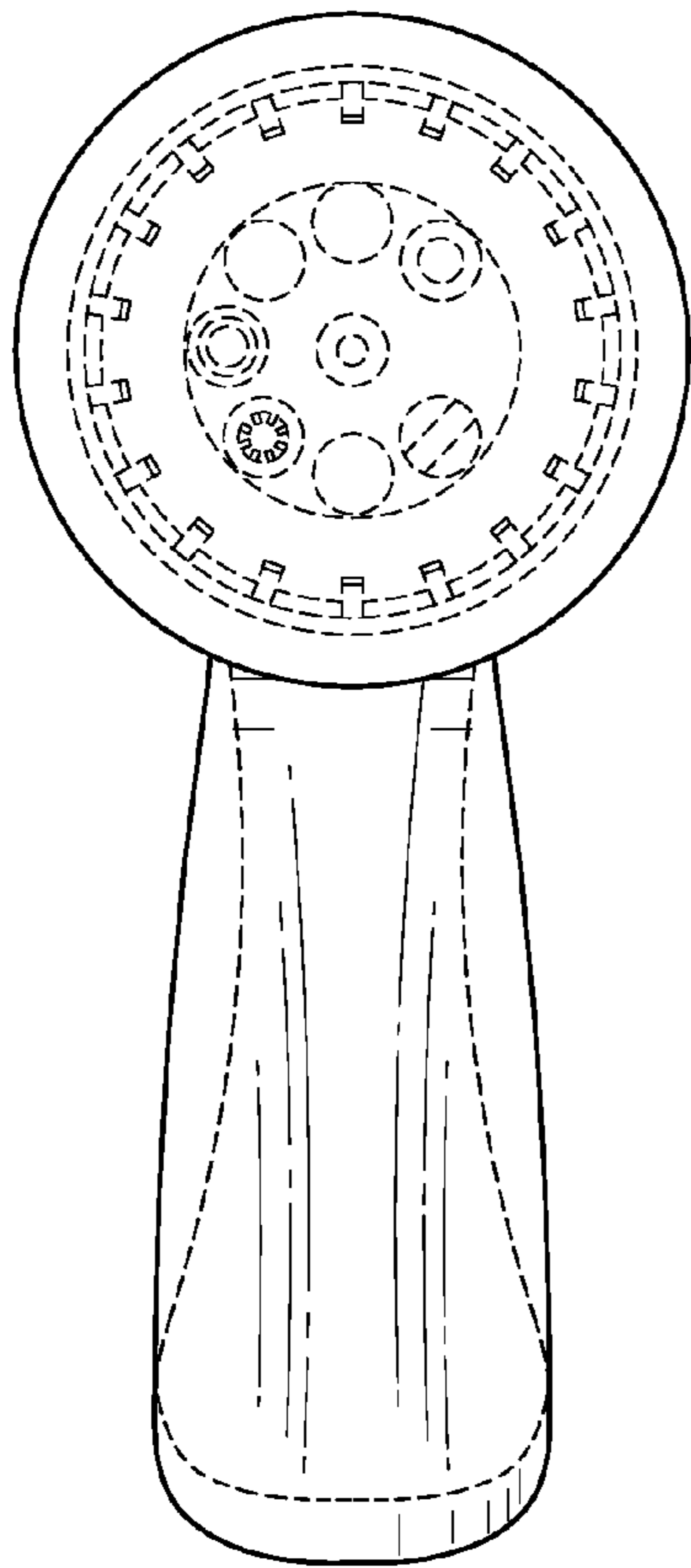


Fig. 4

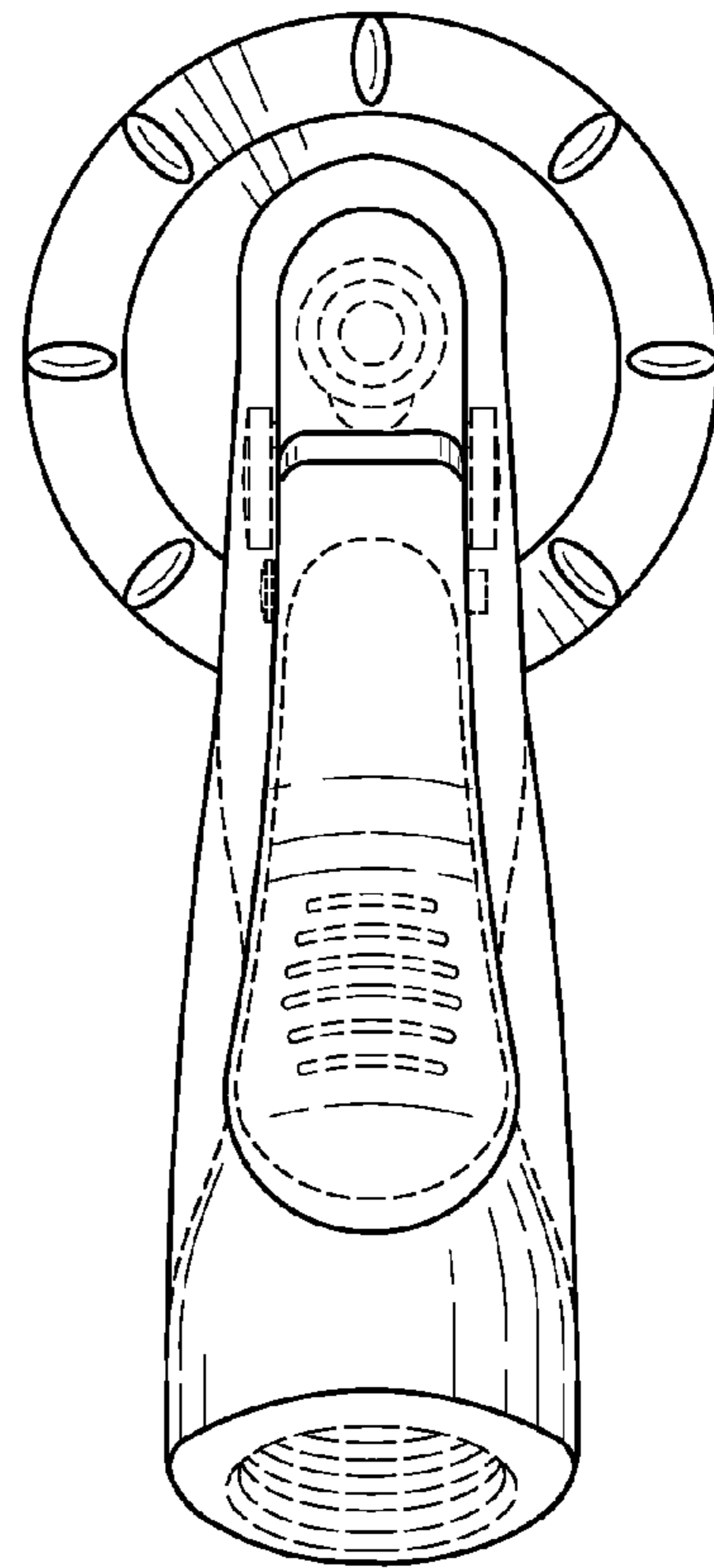


Fig. 5

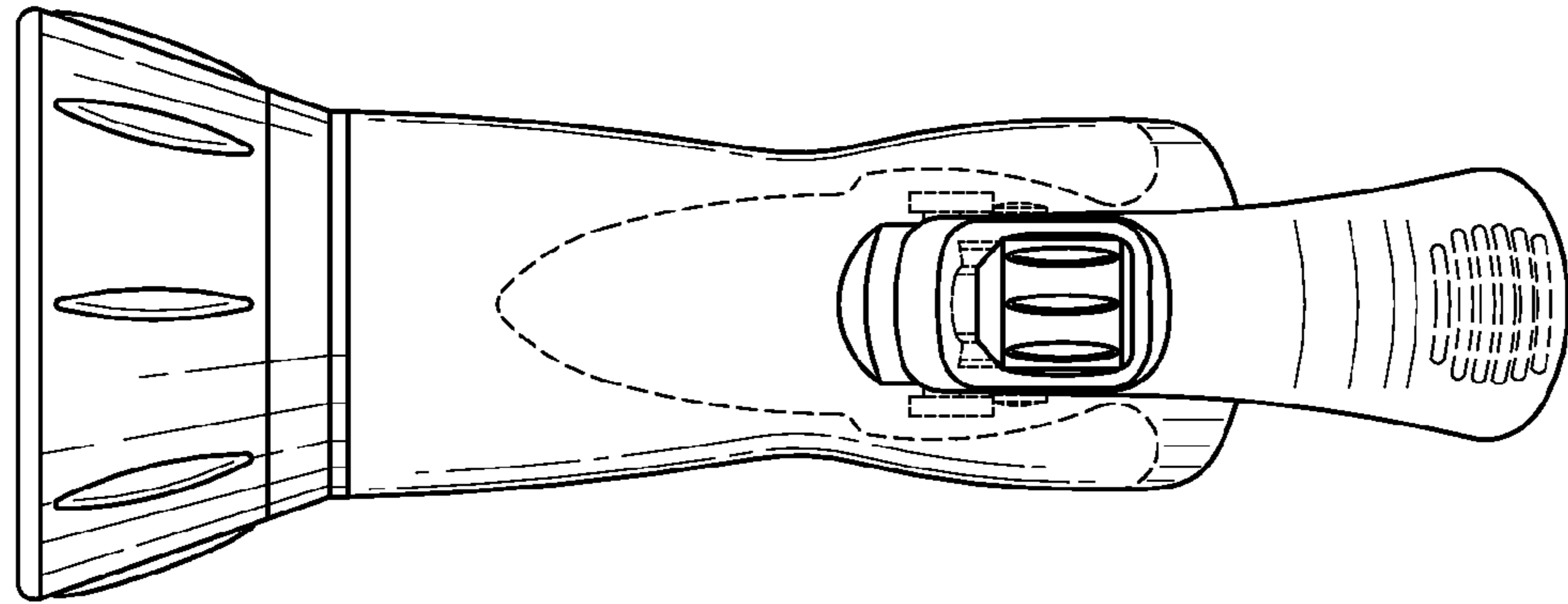


Fig. 6

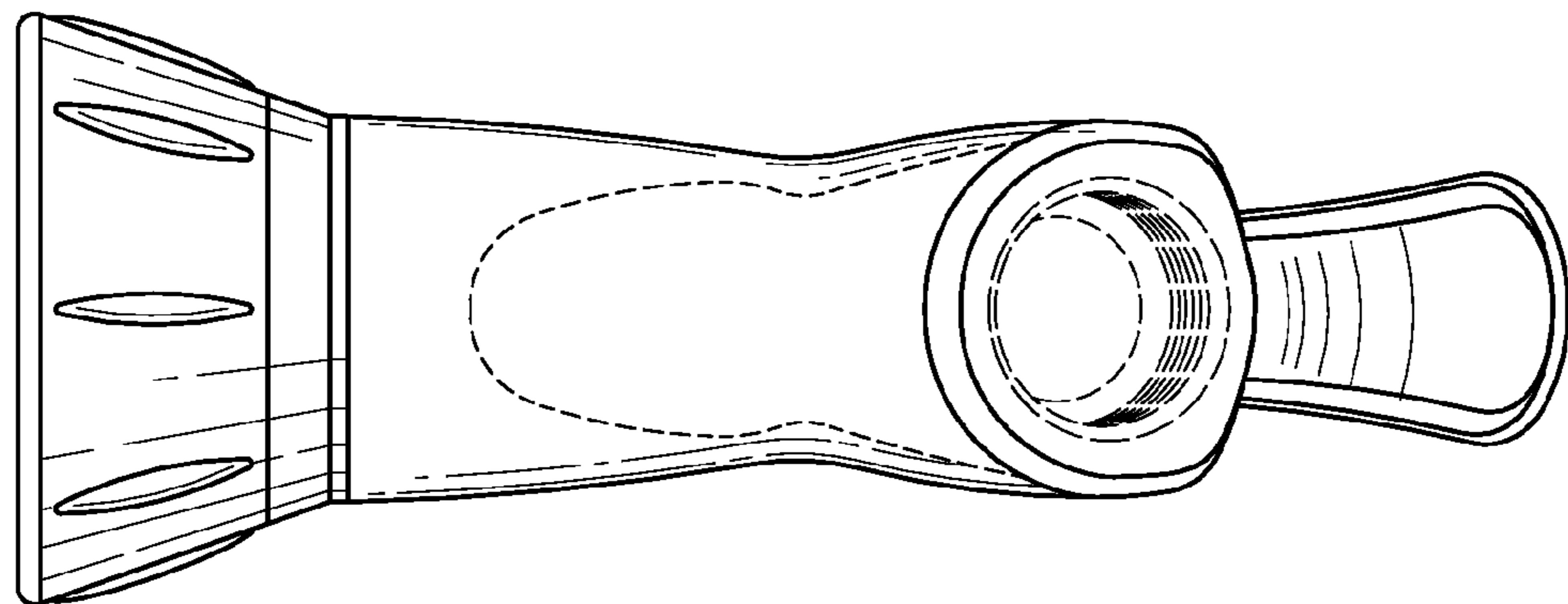


Fig. 7