



US00D605250S

(12) **United States Design Patent**
Weiss et al.

(10) **Patent No.:** **US D605,250 S**
(45) **Date of Patent:** **** Dec. 1, 2009**

(54) **PAINT SPRAYER**

(75) Inventors: **Stephen Weiss**, Easton, PA (US);
Anthony P. Monzo, Redondo Beach, CA (US)

(73) Assignee: **Crayola LLC**, Easton, PA (US)

(**) Term: **14 Years**

(21) Appl. No.: **29/337,048**

(22) Filed: **May 14, 2009**

(51) **LOC (9) Cl.** **23-01**

(52) **U.S. Cl.** **D23/225; D23/226**

(58) **Field of Classification Search** D23/213,
D23/226, 225; 239/310, 373, 337, 332-333,
239/152-154, DIG. 14

See application file for complete search history.

(56) **References Cited**

U.S. PATENT DOCUMENTS

5,284,300	A *	2/1994	Gries et al.	239/373
6,155,498	A *	12/2000	Yamamoto	239/373
6,679,437	B2 *	1/2004	Truelove	239/154

* cited by examiner

Primary Examiner—Robin V Webster

(74) *Attorney, Agent, or Firm*—Shook, Hardy & Bacon L.L.P.

(57) **CLAIM**

The ornamental design for a paint sprayer, as shown and described.

DESCRIPTION

FIG. 1 is a perspective view of a paint sprayer showing the new design;

FIG. 2 is a front elevational view thereof;

FIG. 3 is a back side elevational view thereof;

FIG. 4 is a left side elevational view thereof;

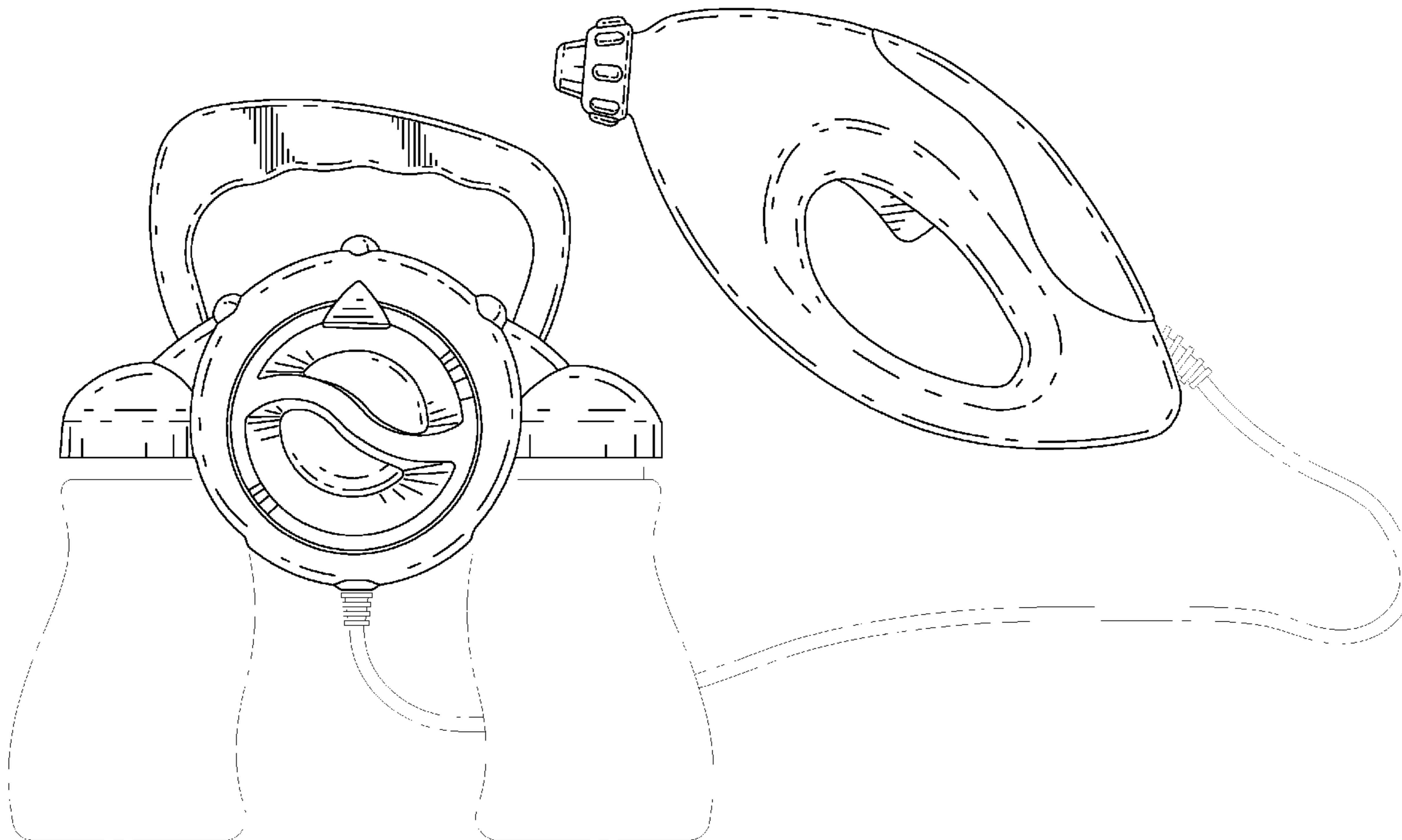
FIG. 5 is a right side elevational view thereof;

FIG. 6 is a top plan view thereof; and,

FIG. 7 is a bottom plan view thereof.

The broken lines showing paint canisters and a hose in FIGS. 1-7 are included for the purpose of illustrating environment and form no part of the claimed design.

1 Claim, 6 Drawing Sheets



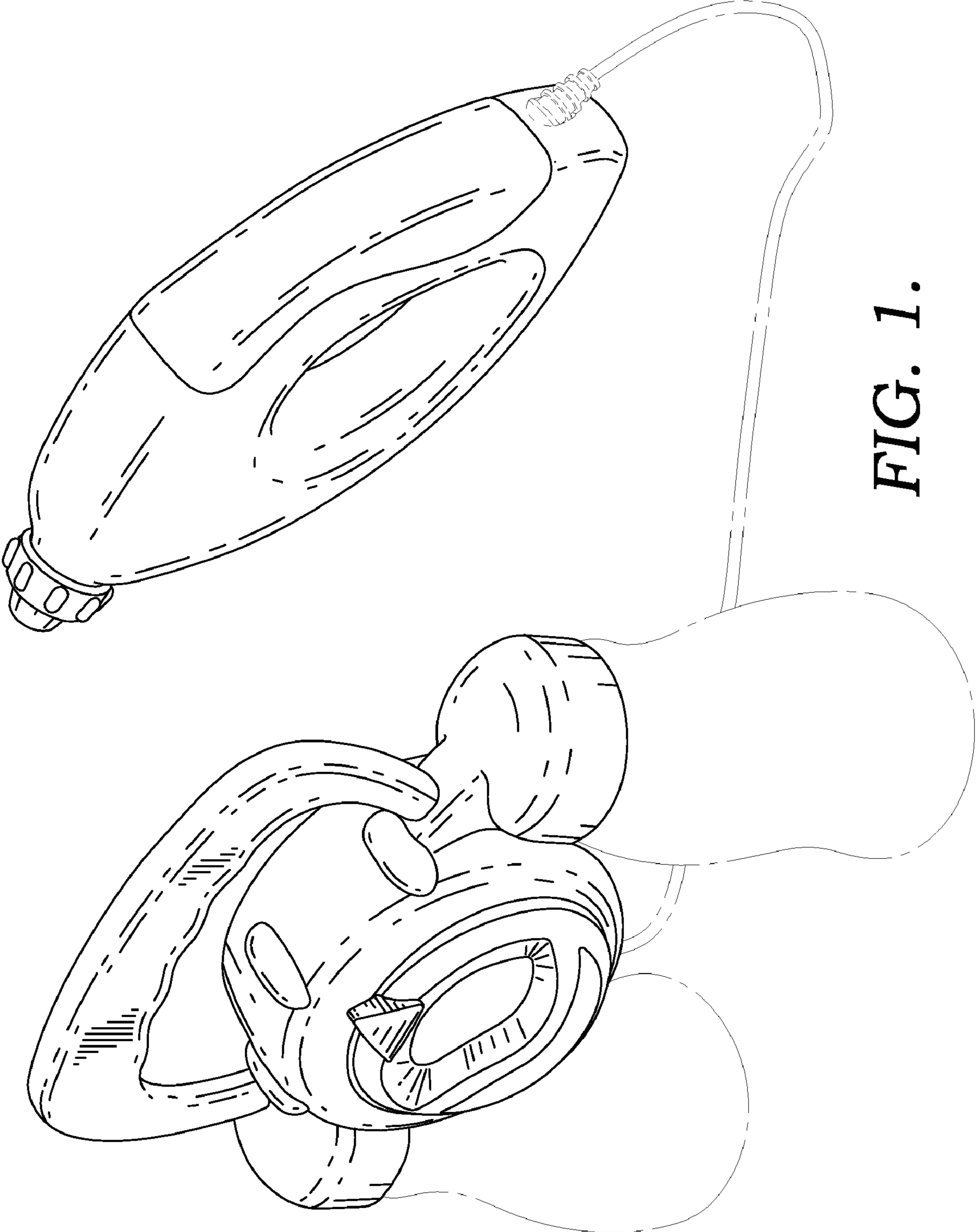


FIG. 1.

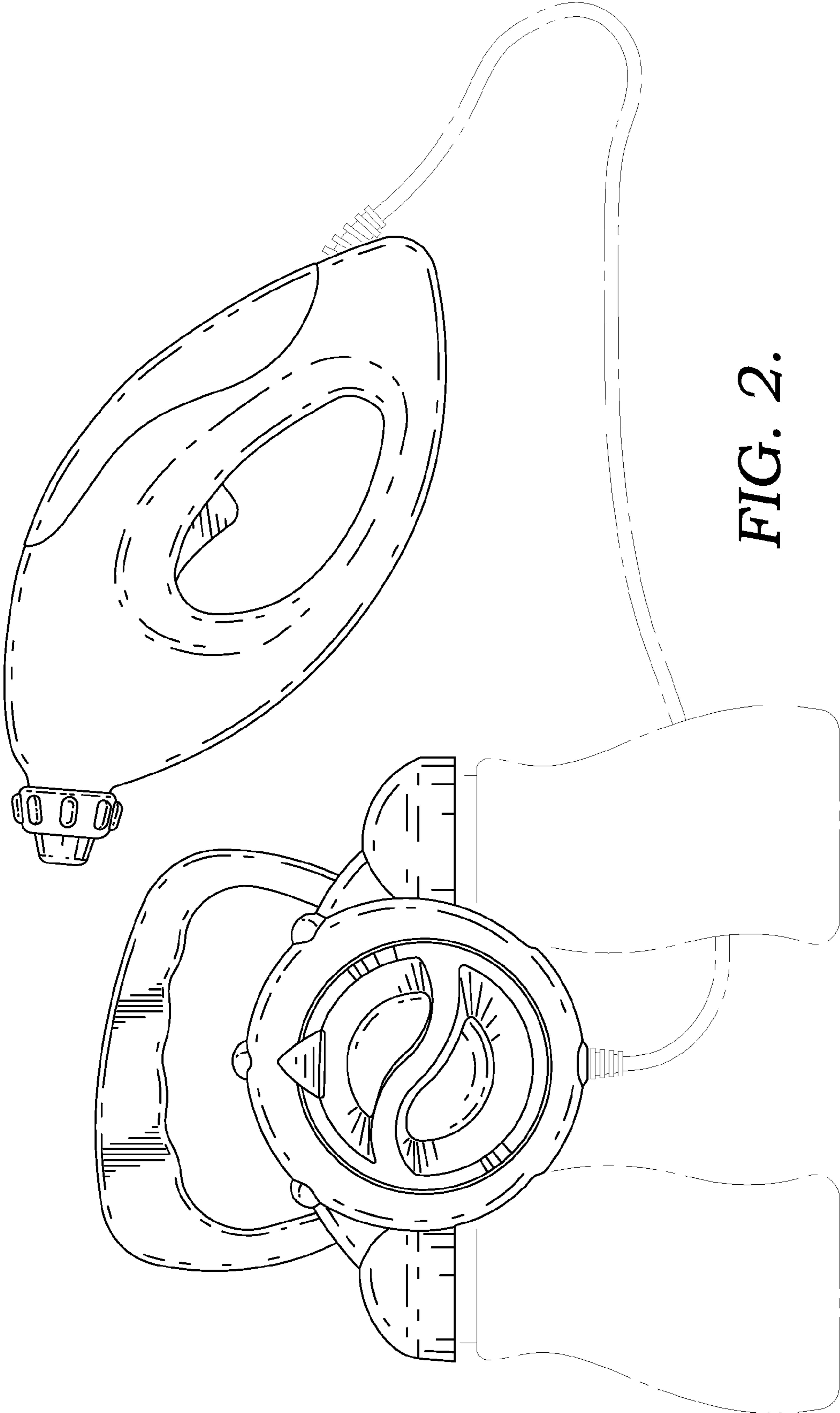


FIG. 2.

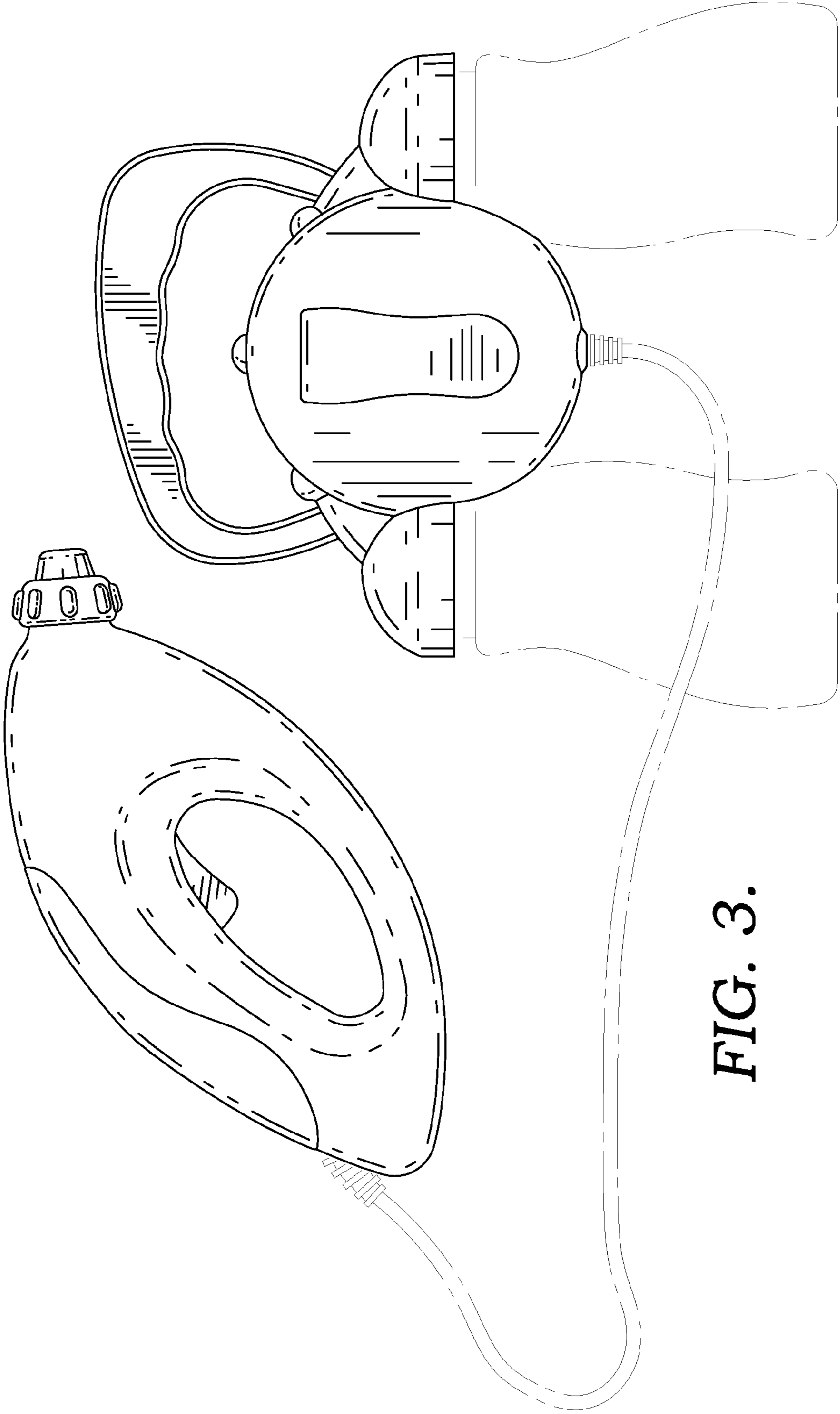


FIG. 3.

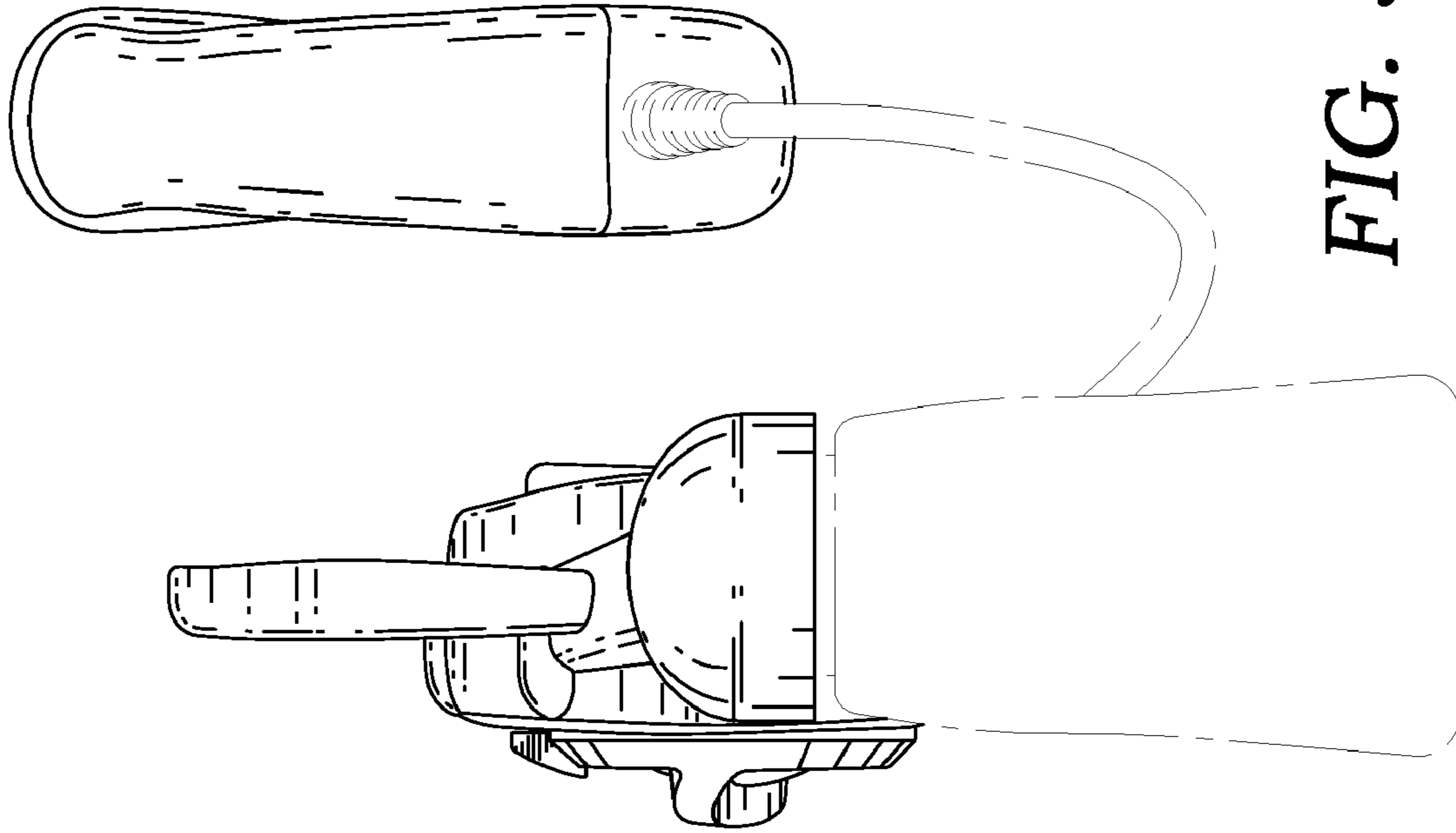


FIG. 4.

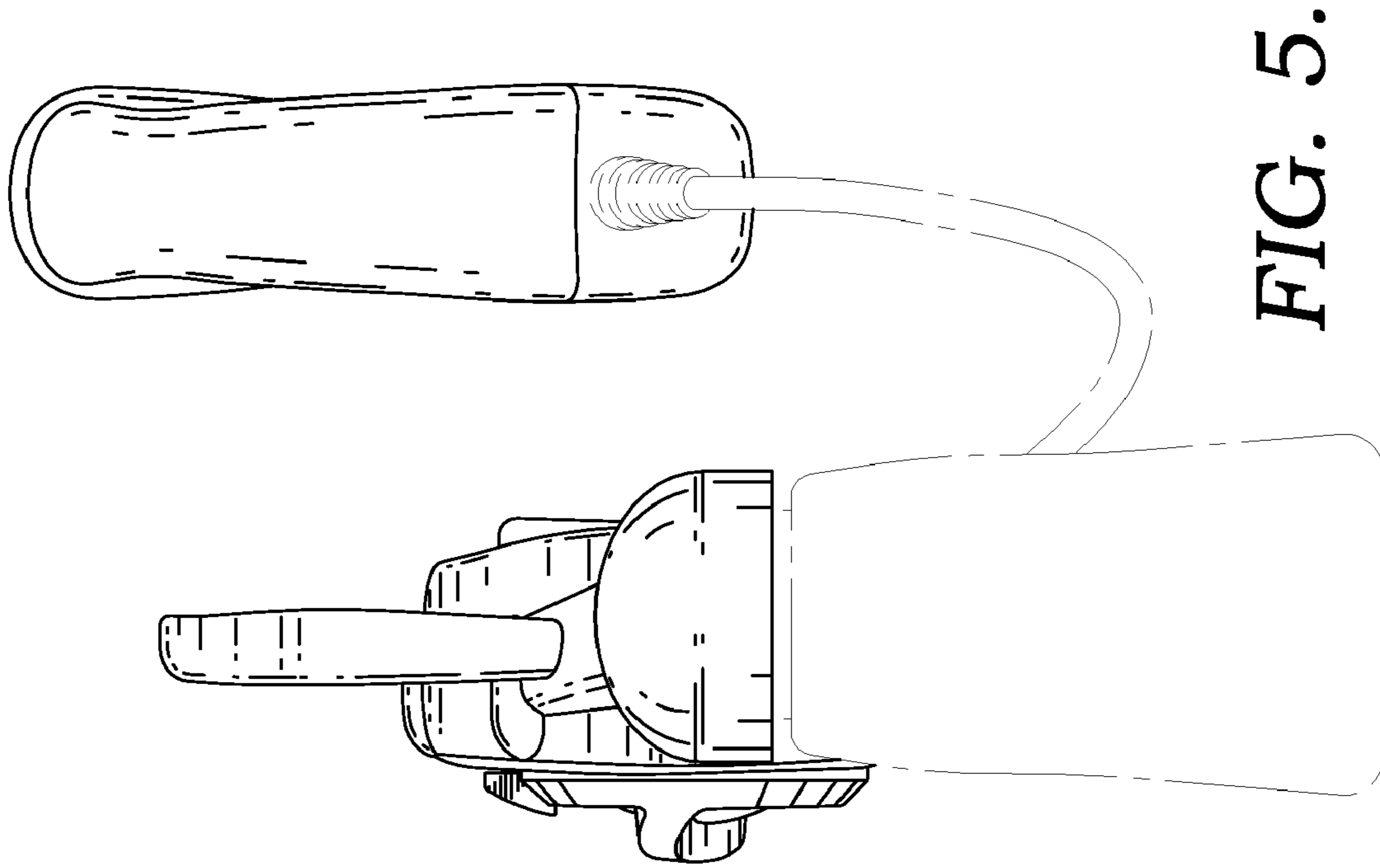


FIG. 5.

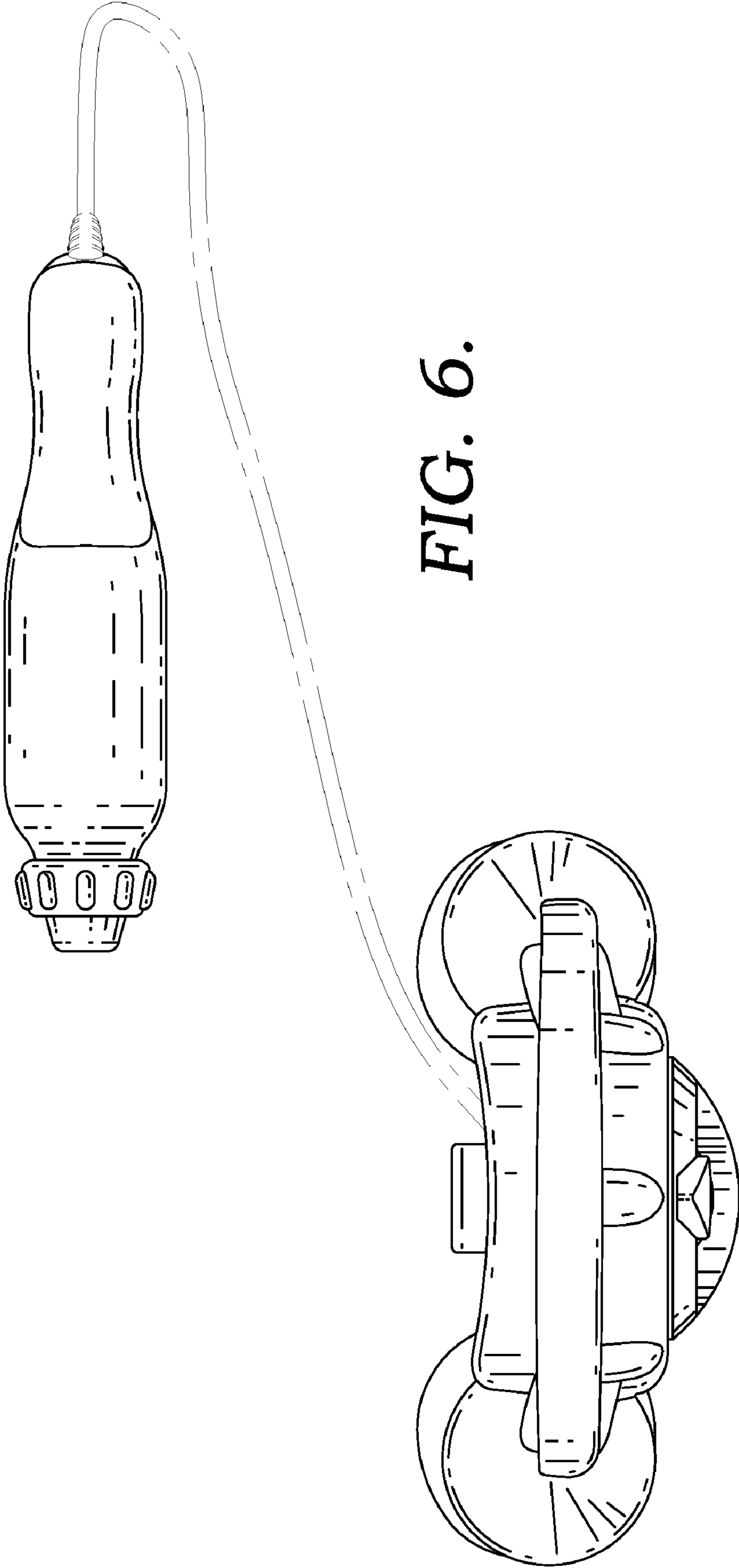


FIG. 6.

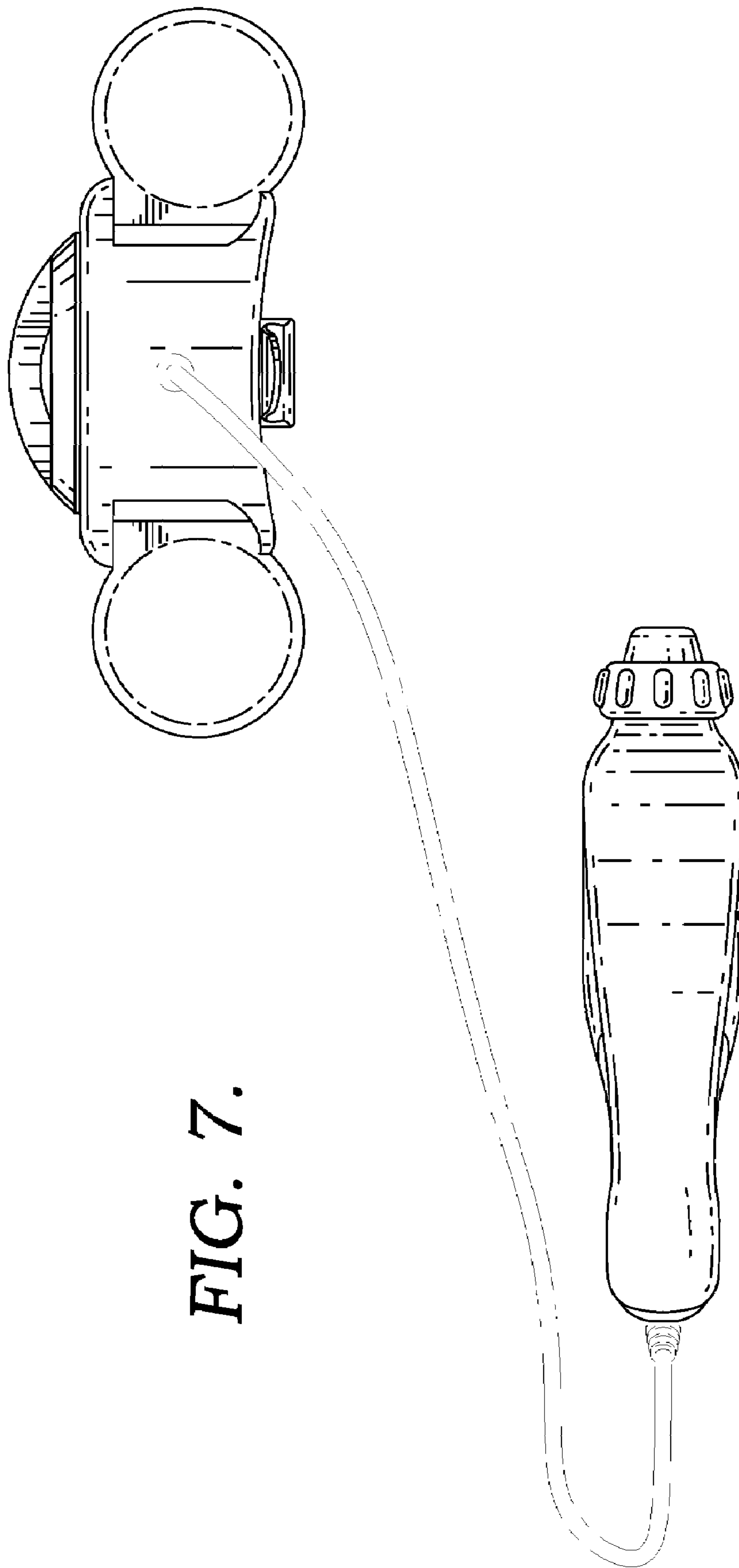


FIG. 7.