



US00D605249S

(12) **United States Design Patent**
Bailey

(10) **Patent No.:** **US D605,249 S**

(45) **Date of Patent:** **** Dec. 1, 2009**

(54) **SHOWERHEAD**

D590,913 S * 4/2009 Smith et al. D23/213

(75) Inventor: **Jordan Bailey**, Noblesville, IN (US)

* cited by examiner

(73) Assignee: **Masco Corporation of Indiana**,
Indianapolis, IN (US)

Primary Examiner—Robin V Webster

(74) *Attorney, Agent, or Firm*—Edgar A. Zarins; Nirav D. Parikh

(**) Term: **14 Years**

(21) Appl. No.: **29/334,553**

(22) Filed: **Mar. 27, 2009**

(51) **LOC (9) Cl.** **23-01**

(52) **U.S. Cl.** **D23/213**

(58) **Field of Classification Search** D23/213,
D23/229–230, 223; 239/282–283, 394; 4/615
See application file for complete search history.

(56) **References Cited**

U.S. PATENT DOCUMENTS

D430,267 S *	8/2000	Milrud et al.	D23/229
D511,810 S *	11/2005	Hanna	D23/229
D514,197 S *	1/2006	Gilbert	D23/229
7,077,342 B2 *	7/2006	Lee	239/589
D555,769 S *	11/2007	Lee	D23/229
D559,952 S *	1/2008	Bickler et al.	D23/229
D559,953 S *	1/2008	Bickler et al.	D23/229

(57) **CLAIM**

The ornamental design for a showerhead, as shown and described.

DESCRIPTION

FIG. 1 is a front, top perspective view of a showerhead showing my new design;

FIG. 2 is a rear perspective view thereof;

FIG. 3 is a front, bottom perspective view thereof;

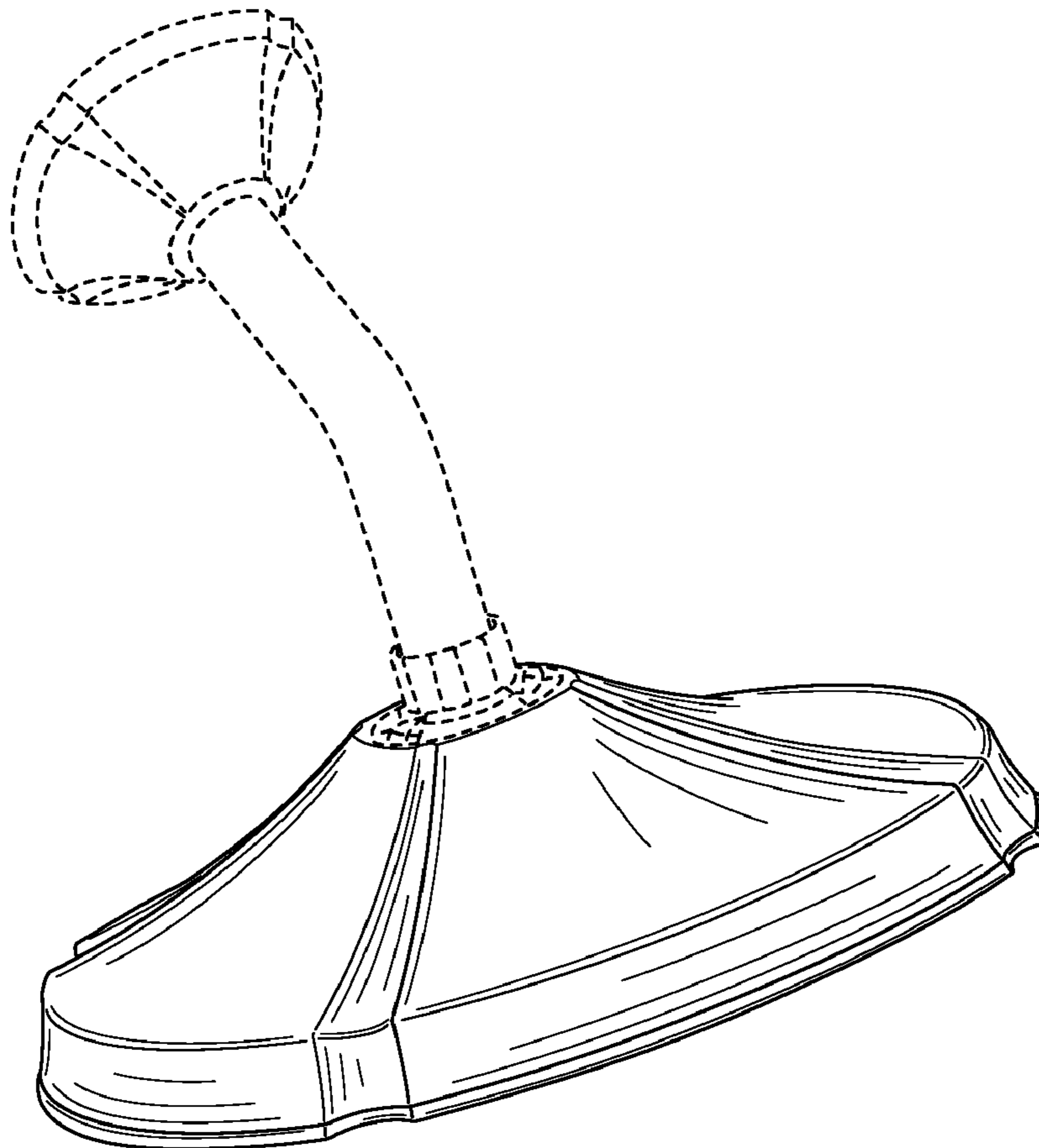
FIG. 4 is a right side elevational view thereof; the left side elevational view being a mirror image thereof;

FIG. 5 is a top plan view thereof; and,

FIG. 6 is a bottom plan view thereof.

The broken lines in the drawings represent unclaimed portions of the showerhead and form no part thereof.

1 Claim, 3 Drawing Sheets



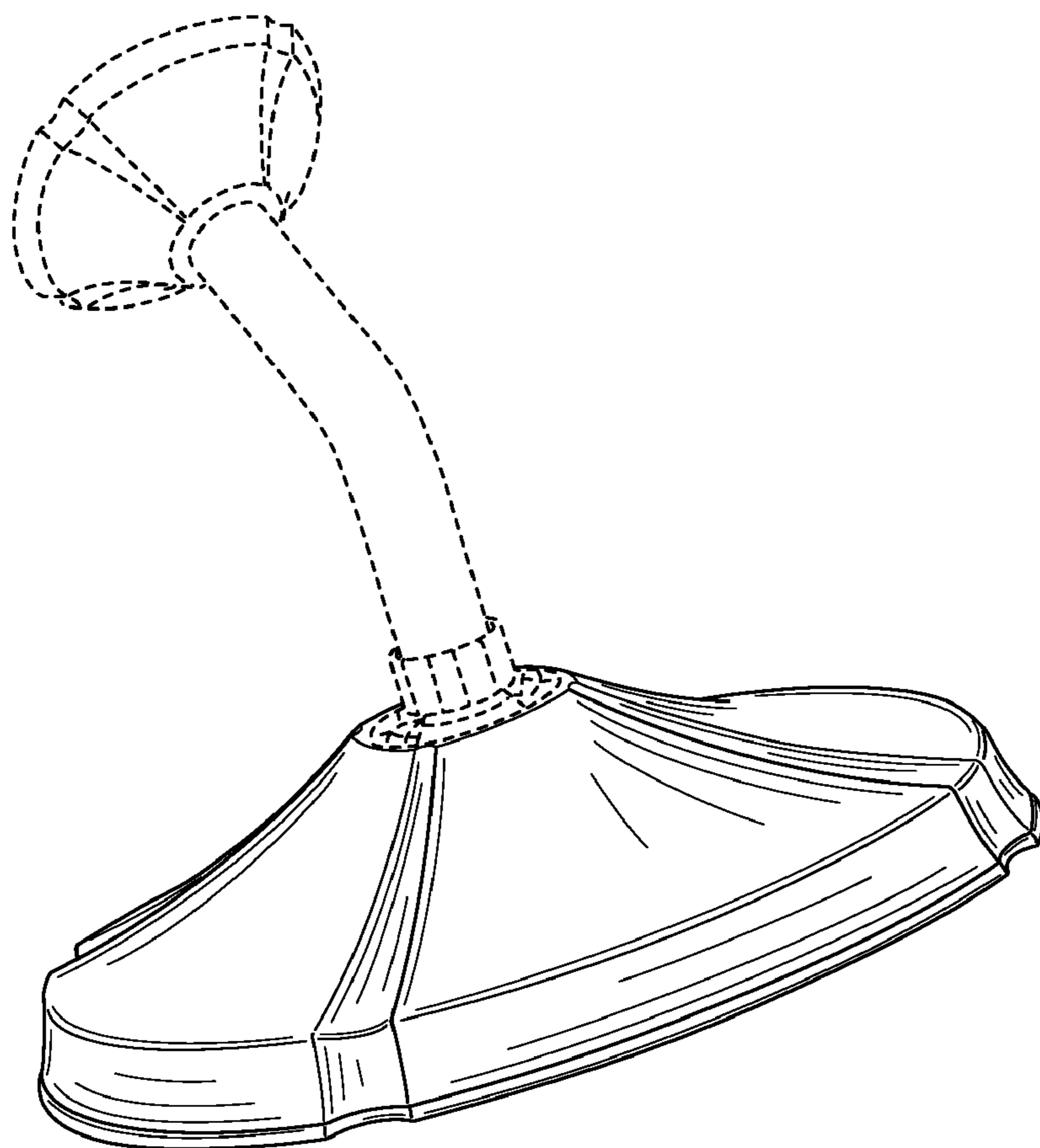


FIG. 1

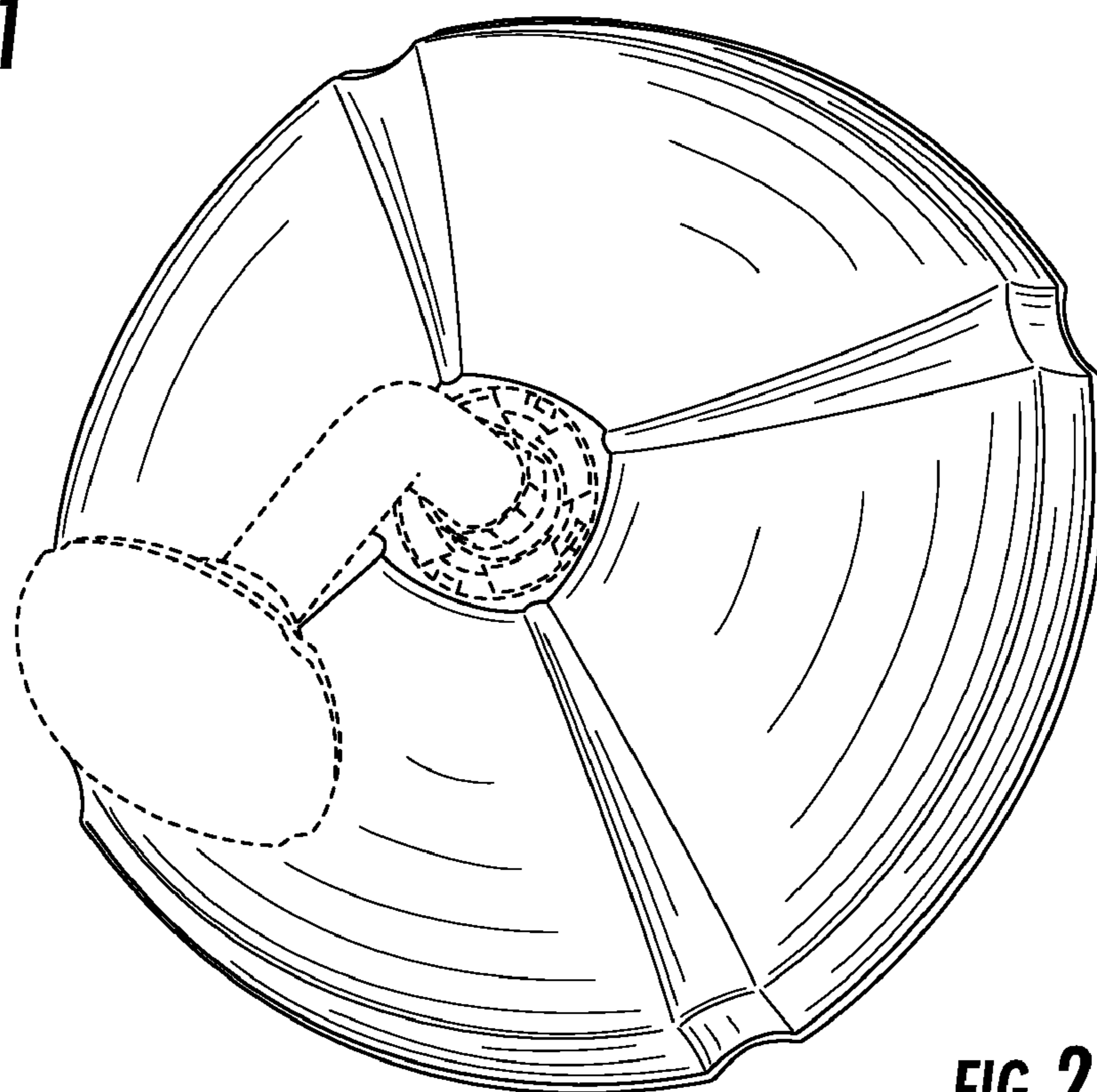


FIG. 2

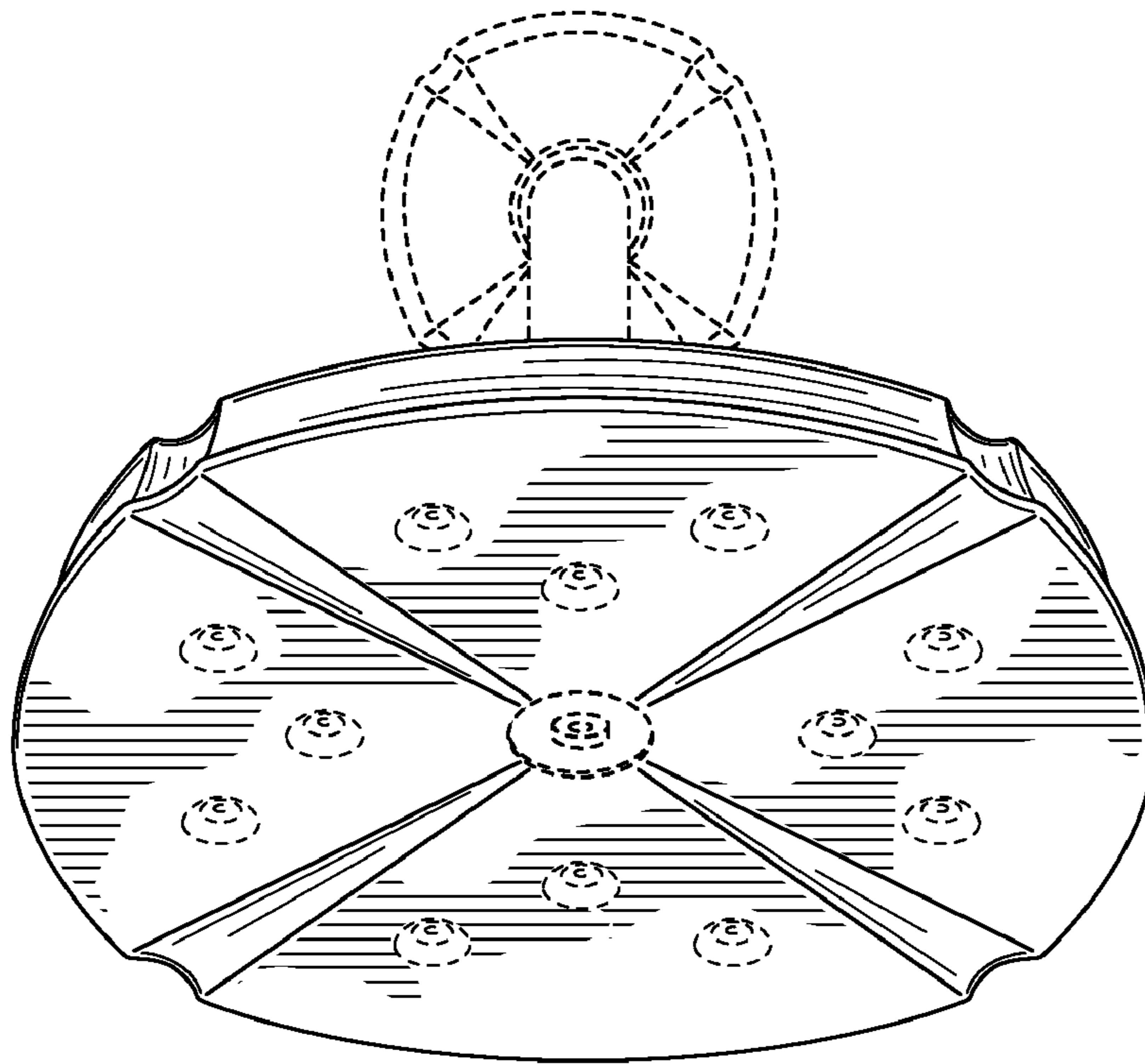


FIG. 3

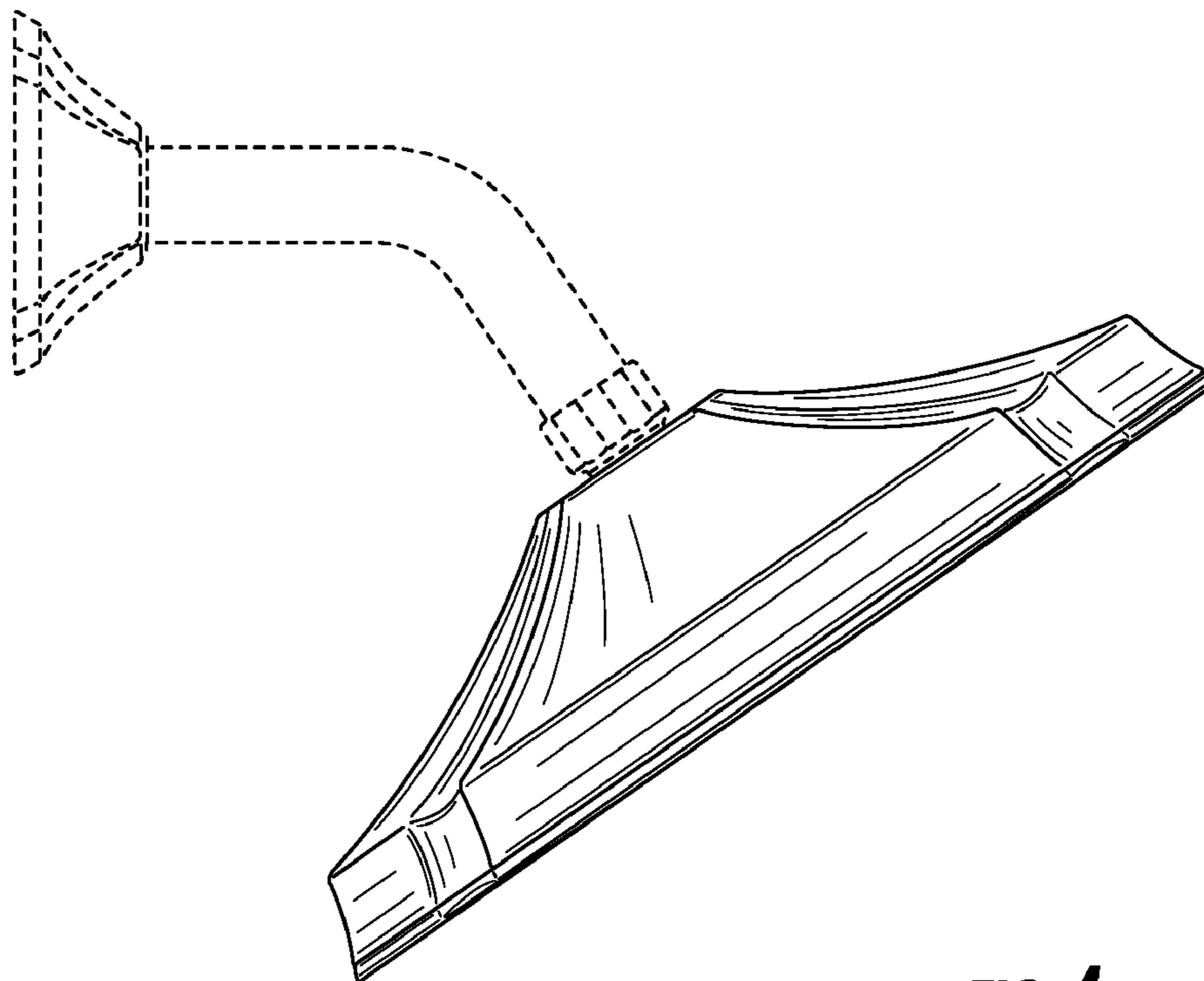


FIG. 4

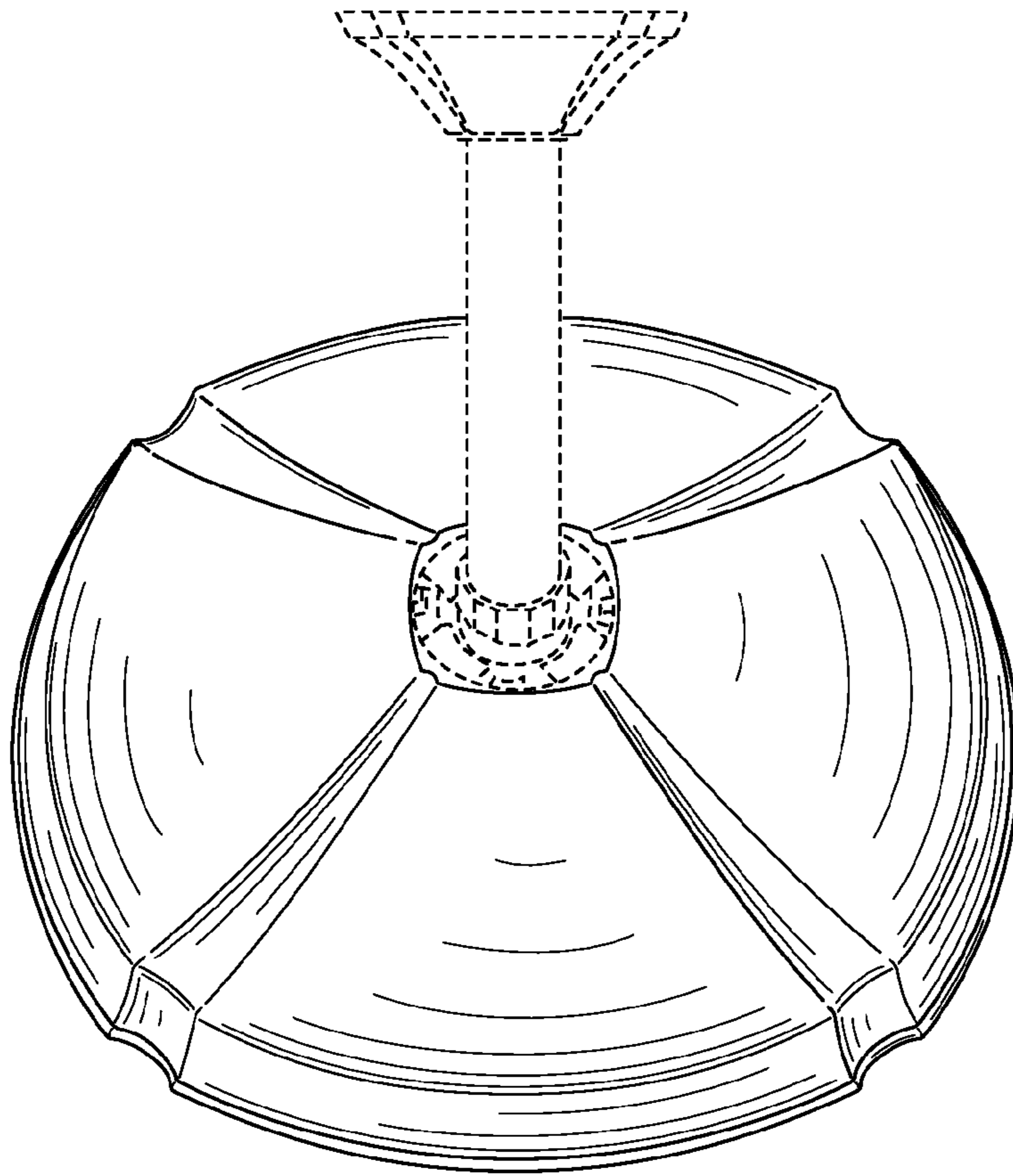


FIG. 5

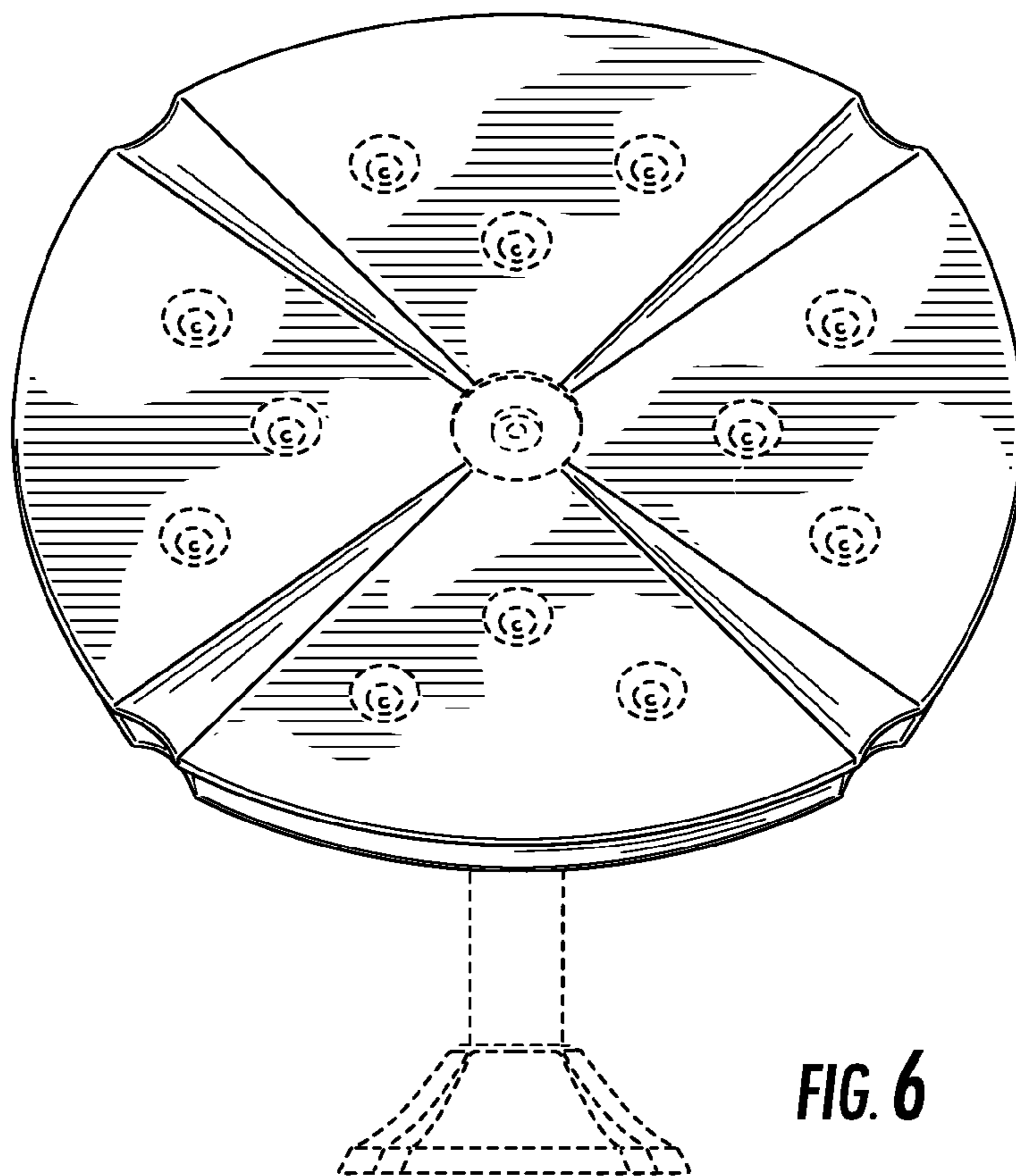


FIG. 6