



US00D605248S

(12) **United States Design Patent**
Genord

(10) **Patent No.:** **US D605,248 S**

(45) **Date of Patent:** **** Dec. 1, 2009**

(54) **DISPENSER**

(75) Inventor: **Daniel Genord**, Walled Lake, MI (US)

(73) Assignee: **Reckitt Benckiser Inc.**, Parsippany, NJ (US)

(**) Term: **14 Years**

(21) Appl. No.: **29/329,313**

(22) Filed: **Dec. 12, 2008**

(30) **Foreign Application Priority Data**

Jun. 23, 2006 (EM) 000957550-0001
Jul. 8, 2008 (EM) 000965991-0001

(51) **LOC (9) Cl.** **23-01**

(52) **U.S. Cl.** **D23/208**

(58) **Field of Classification Search** D23/208;
4/223, 225.1, 227.1, 231

See application file for complete search history.

(56) **References Cited**

U.S. PATENT DOCUMENTS

D199,735 S * 12/1964 Woodruff D23/208
D249,355 S * 9/1978 Blank D23/208

D345,195 S * 3/1994 Kelly D23/208
D365,138 S * 12/1995 Puri D23/208
D370,710 S * 6/1996 Wefler D23/208
D400,965 S * 11/1998 Akwei D23/208

* cited by examiner

Primary Examiner—Robin V Webster

(74) *Attorney, Agent, or Firm*—Norris, McLaughlin & Marcus, P.A.

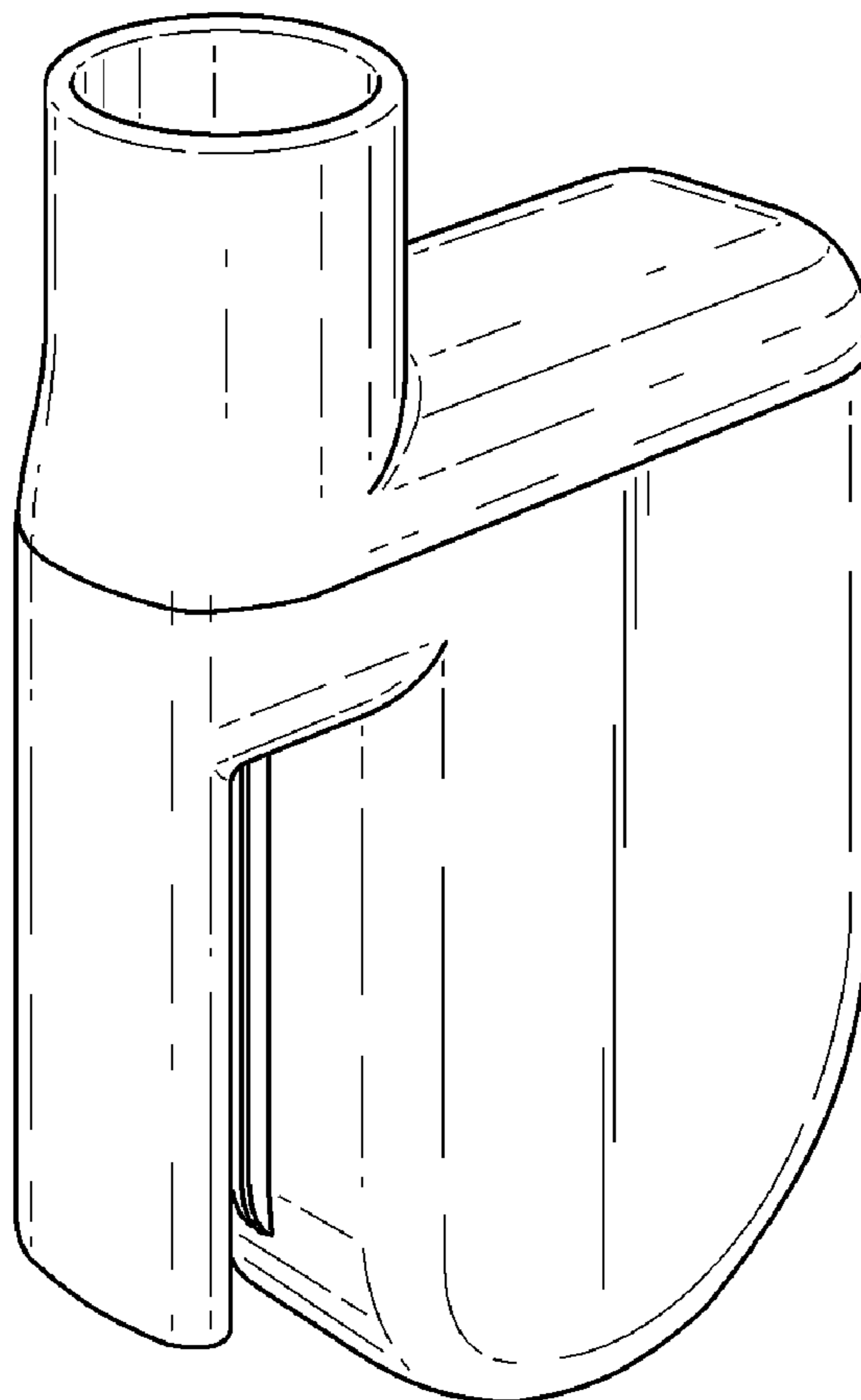
(57) **CLAIM**

The ornamental design for a dispenser, as shown and described.

DESCRIPTION

FIG. 1 is a front perspective view of my dispenser;
FIG. 2 is an elevational view of the left side thereof;
FIG. 3 is an elevational view of the right side thereof;
FIG. 4 is an elevational view of the front thereof;
FIG. 5 is an elevational view of the rear thereof;
FIG. 6 is a plan view of the top thereof; and,
FIG. 7 is a plan view of the bottom thereof.

1 Claim, 4 Drawing Sheets



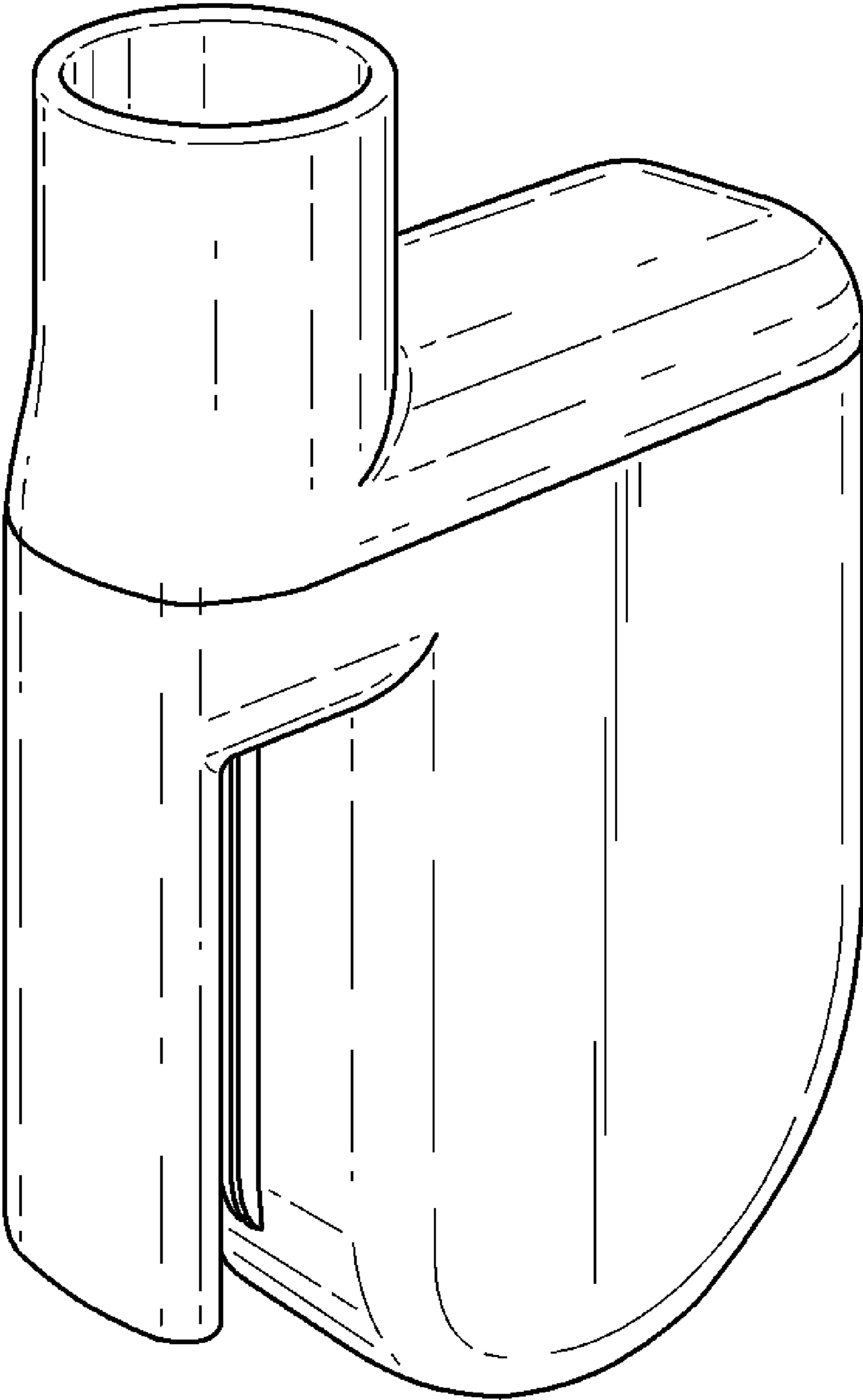


Fig. 1.

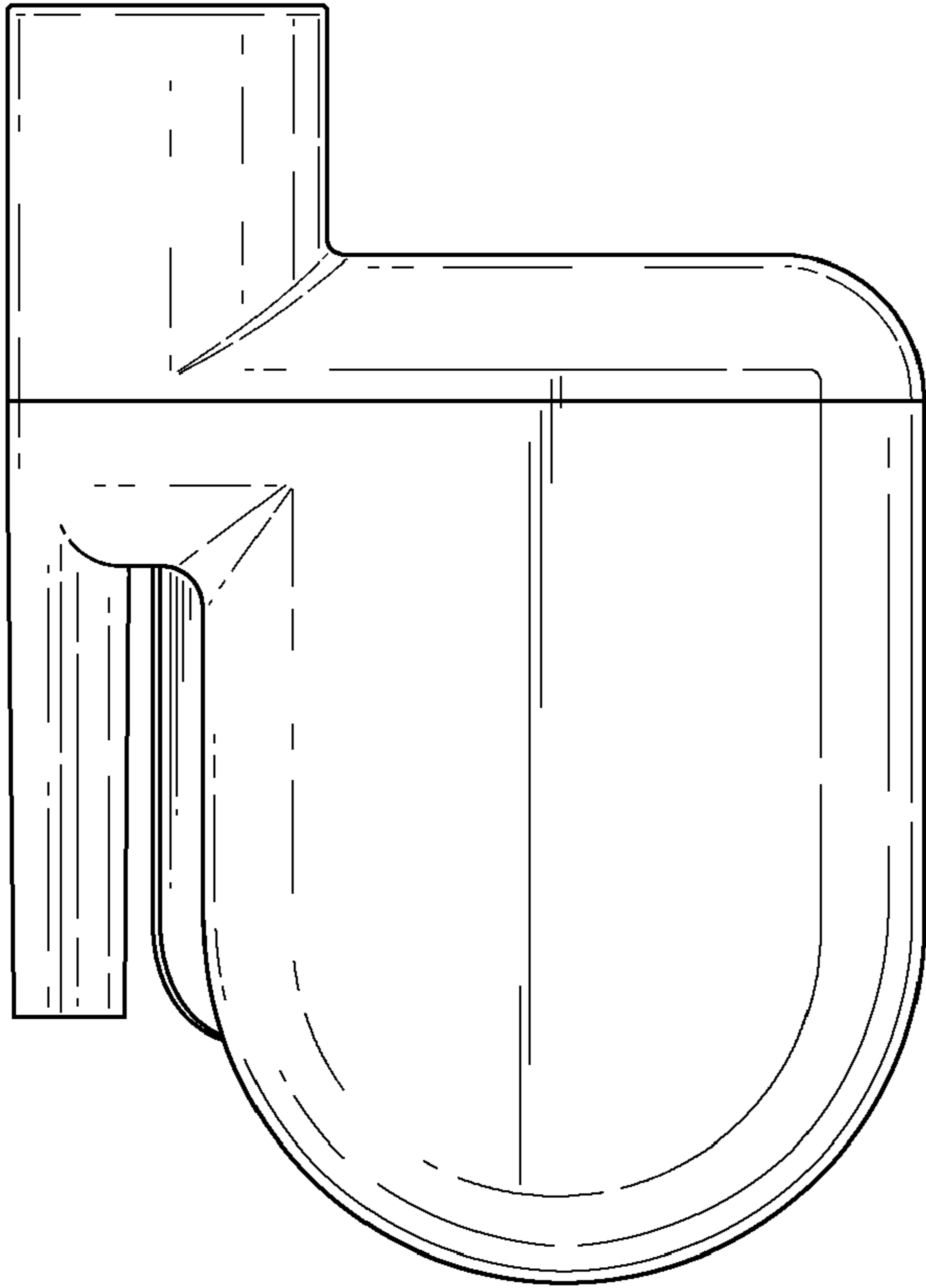


Fig.2.

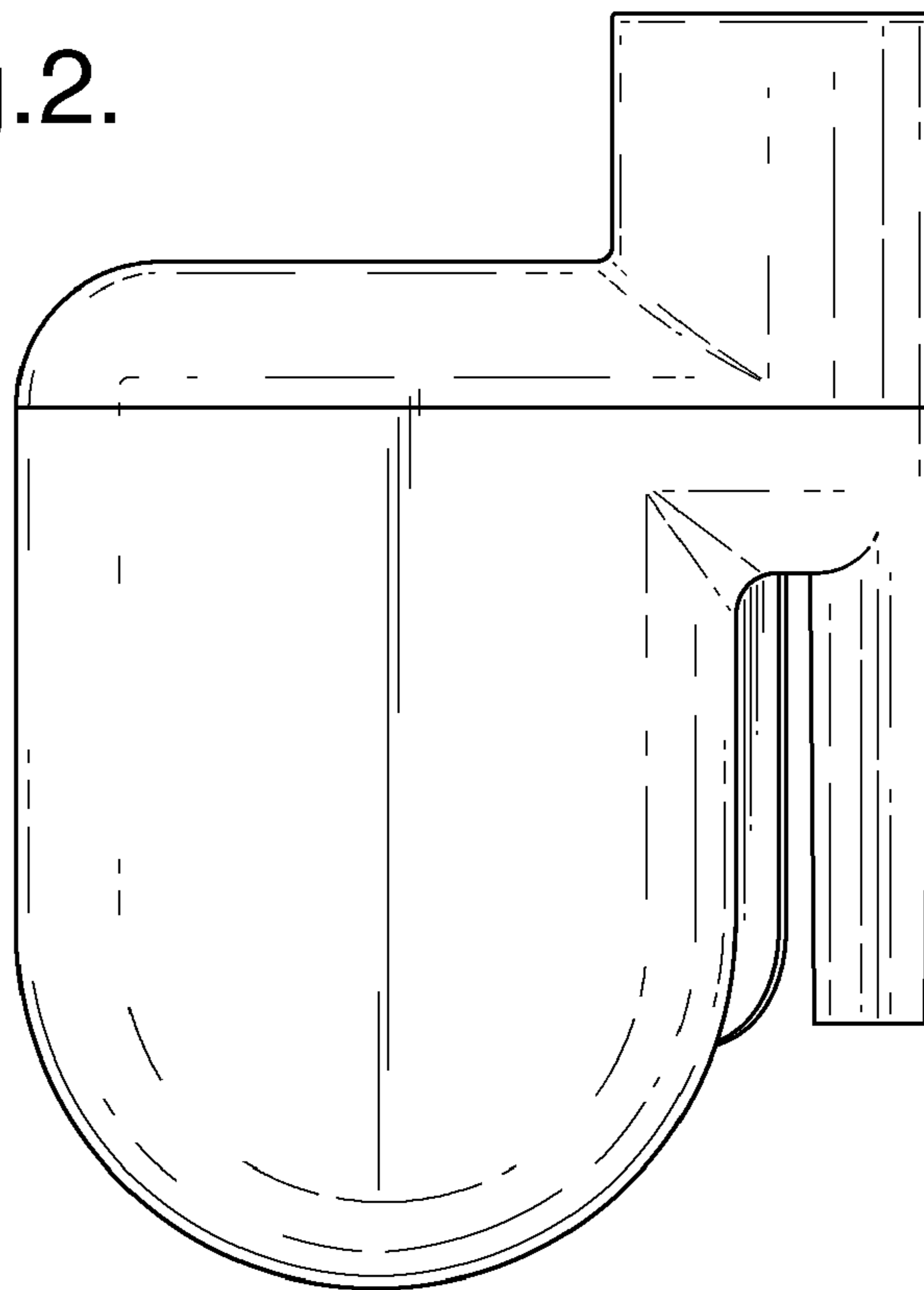


Fig.3.

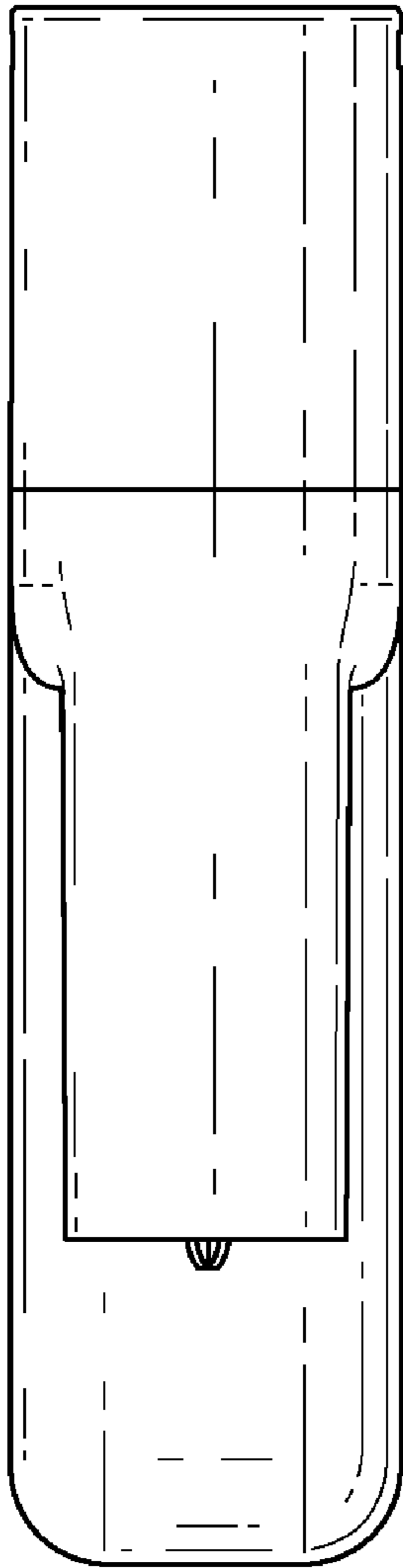


Fig.4.

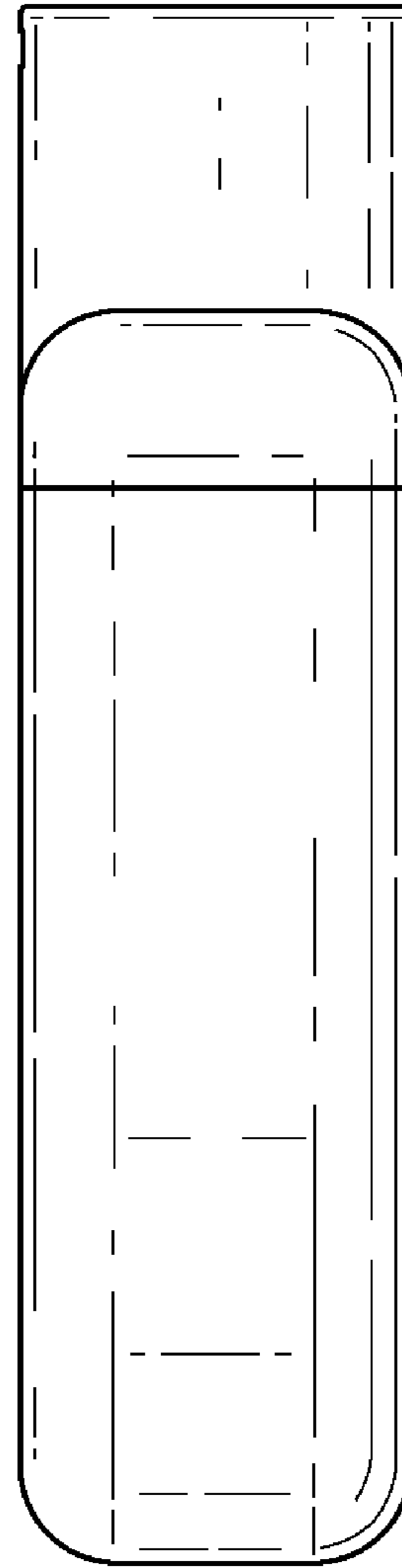


Fig.5.

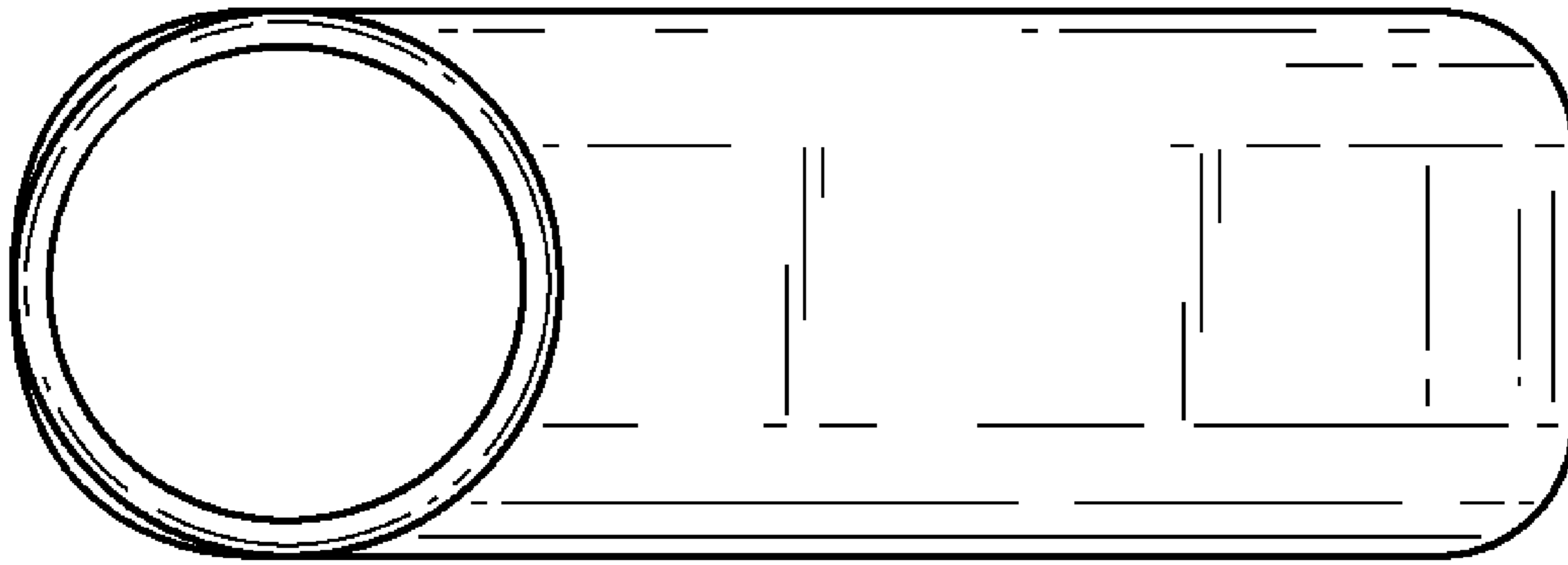


Fig. 6.

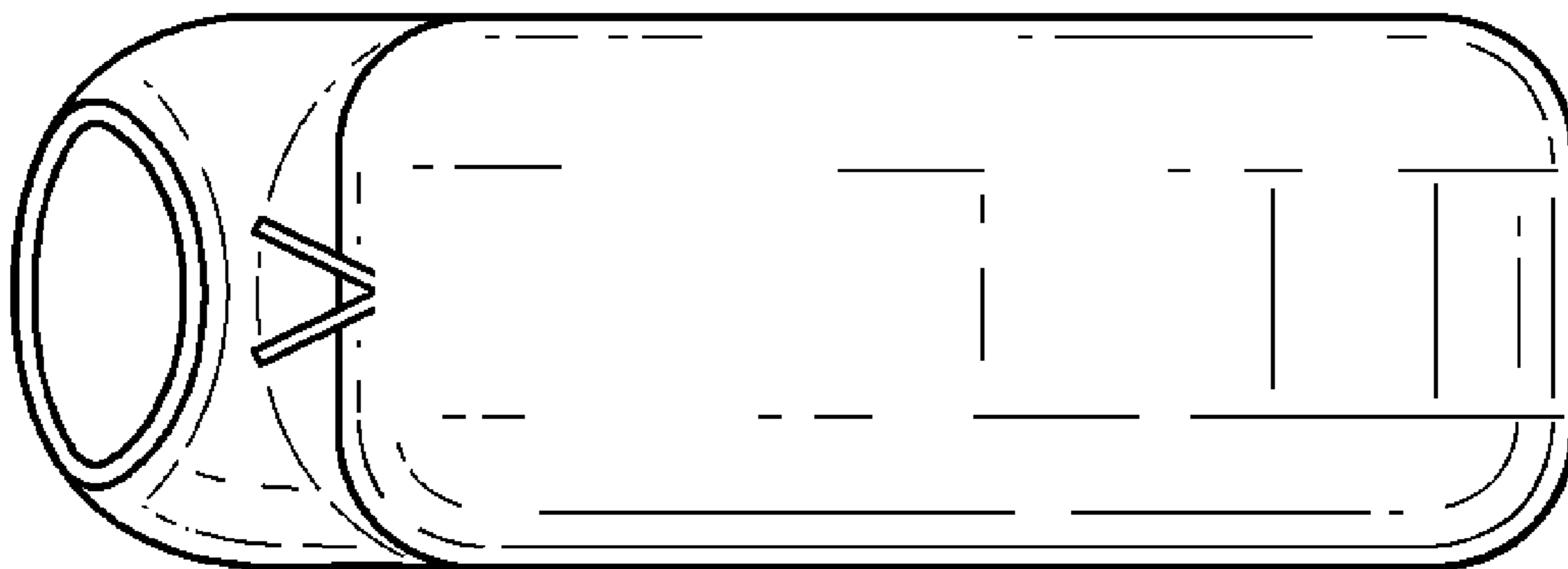


Fig. 7.

UNITED STATES PATENT AND TRADEMARK OFFICE
CERTIFICATE OF CORRECTION

PATENT NO. : Des. 605,248 S
APPLICATION NO. : 29/329313
DATED : December 1, 2009
INVENTOR(S) : Daniel Genord

Page 1 of 1

It is certified that error appears in the above-identified patent and that said Letters Patent is hereby corrected as shown below:

Title Page, Item [30], the Foreign Application Priority Data:

“Jun. 23, 2006 (EM) 000957550-001
Jul. 8, 2008 (EM) 000965991-001” should read

--Jun. 23, 2008 (EM) 000957550-001
Jul. 8, 2008 (EM) 000965991-001--

Signed and Sealed this

Ninth Day of February, 2010



David J. Kappos
Director of the United States Patent and Trademark Office