



US00D605246S

(12) **United States Design Patent**
Hobbs

(10) **Patent No.:** **US D605,246 S**

(45) **Date of Patent:** **** Dec. 1, 2009**

(54) **RIFLE REST**

(76) **Inventor:** **Kenneth D. Hobbs**, 2600 Plantation Dr.,
St. Marys, GA (US) 31558

(**) **Term:** **14 Years**

(21) **Appl. No.:** **29/312,203**

(22) **Filed:** **Oct. 6, 2008**

(51) **LOC (9) Cl.** **22-01**

(52) **U.S. Cl.** **D22/108**

(58) **Field of Classification Search** D22/100,
D22/108, 199; D8/1, 380, 381; D6/417,
D6/552; 42/94; 89/37.04; 211/64, 89; 248/872,
248/156, 530

See application file for complete search history.

(56) **References Cited**

U.S. PATENT DOCUMENTS

2,692,069	A *	10/1954	Winters et al.	224/275
3,012,350	A *	12/1961	Wold	42/94
3,935,657	A *	2/1976	Wade	42/94
4,449,314	A *	5/1984	Sorensen	42/94
4,535,559	A *	8/1985	Hall	42/94
4,548,392	A *	10/1985	Rickling	269/156
4,558,531	A *	12/1985	Kilby	42/94
4,558,532	A *	12/1985	Wright	42/94
4,621,563	A *	11/1986	Poiencot	89/37.04
4,790,096	A *	12/1988	Gibson et al.	42/94
4,819,359	A *	4/1989	Bassett	42/94
4,841,839	A *	6/1989	Stuart	89/37.04
4,854,066	A *	8/1989	Canterbury, Sr.	42/94
5,058,302	A *	10/1991	Minneman	42/94
5,070,636	A *	12/1991	Mueller	42/94
D375,538	S *	11/1996	Minneman	D22/108
D382,035	S *	8/1997	Swicegood	D22/108
D387,123	S *	12/1997	Hughes et al.	D22/108
5,913,668	A *	6/1999	Messer	42/94
D422,333	S *	4/2000	Foster et al.	D22/107

D440,625	S *	4/2001	Cook, Jr.	D22/108
6,305,117	B1 *	10/2001	Hales, Sr.	42/94
D461,987	S *	8/2002	Smith	D6/566
D471,248	S *	3/2003	Jacobs	D22/108
6,539,660	B1 *	4/2003	Yeargin	42/94
6,574,899	B1 *	6/2003	Mostello	42/94
6,629,380	B2 *	10/2003	Yeargin	42/94
D506,521	S *	6/2005	Strahan	D22/108
D513,055	S *	12/2005	Lahti	D22/108
D519,183	S *	4/2006	Minneman	D22/108
D540,904	S *	4/2007	Werner	D22/108
D551,734	S *	9/2007	Barker et al.	D22/108
D576,245	S *	9/2008	Potterfield et al.	D22/108
D582,493	S *	12/2008	Viljoen	D21/573

* cited by examiner

Primary Examiner—T. Chase Nelson

Assistant Examiner—Michael A Pratt

(74) *Attorney, Agent, or Firm*—Richard L. Mikesell

(57) **CLAIM**

The ornamental design for a rifle rest, as shown and described.

DESCRIPTION

FIG. 1 is a Top front perspective view;

FIG. 2 is a Rear elevation;

FIG. 3 is a Front elevation;

FIG. 4 is a Top plan view;

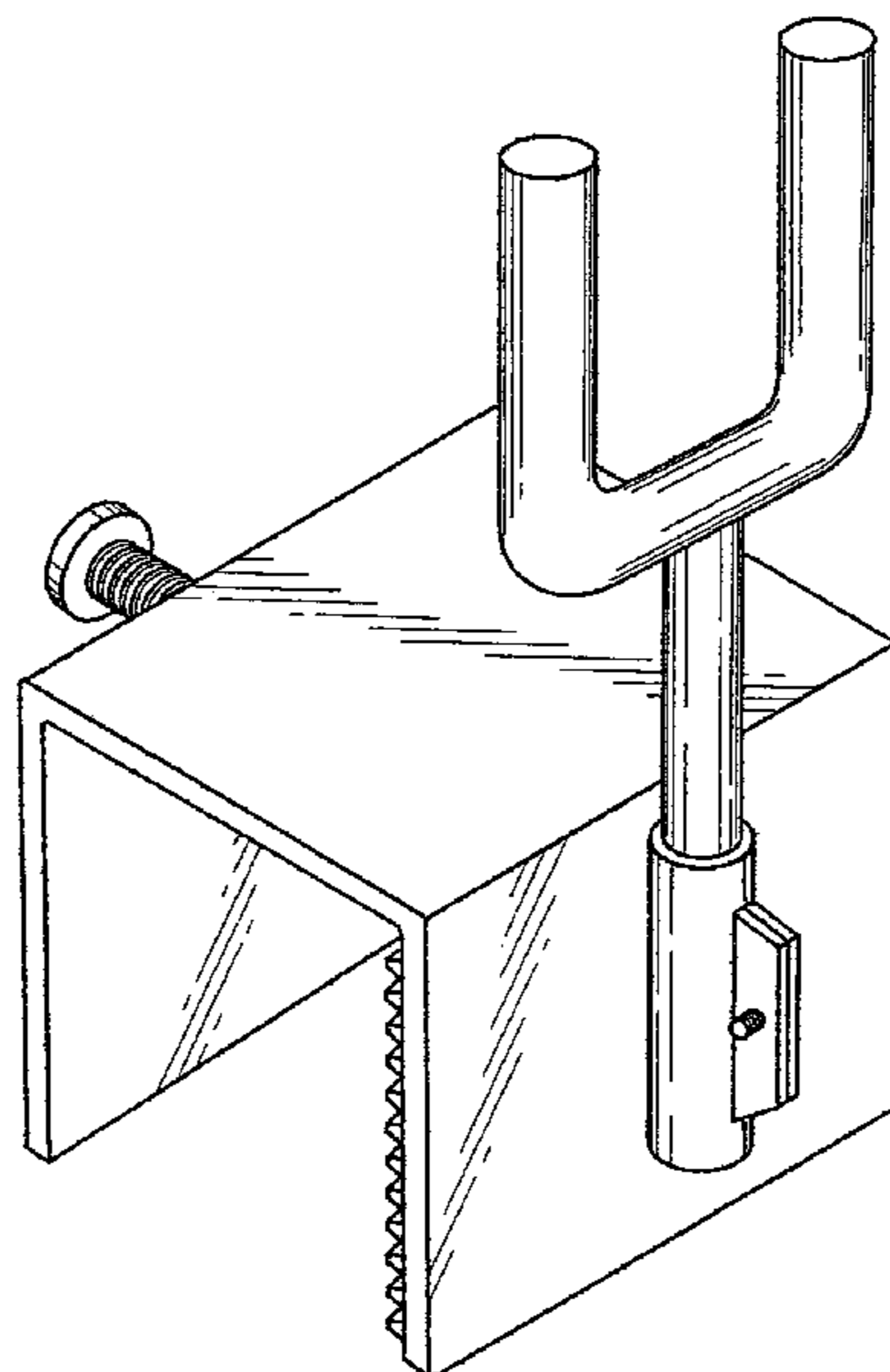
FIG. 5 is Bottom plan view;

FIG. 6 is a Right side elevation; and,

FIG. 7 is a Left side elevation.

The broken line showing in FIG. 5 is included for the purpose of illustrating environment and forms no part of the claimed design.

1 Claim, 4 Drawing Sheets



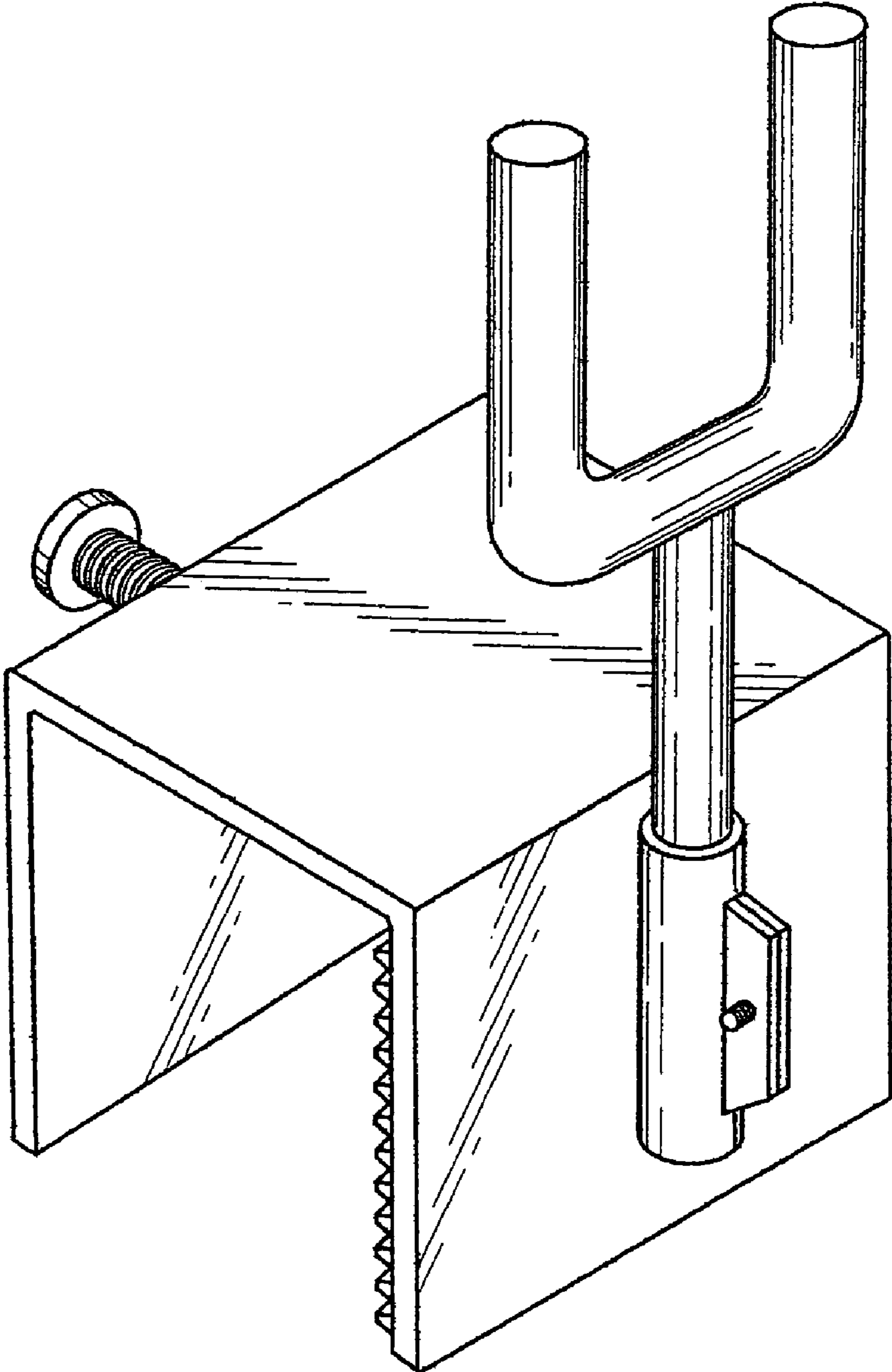


Fig. 1

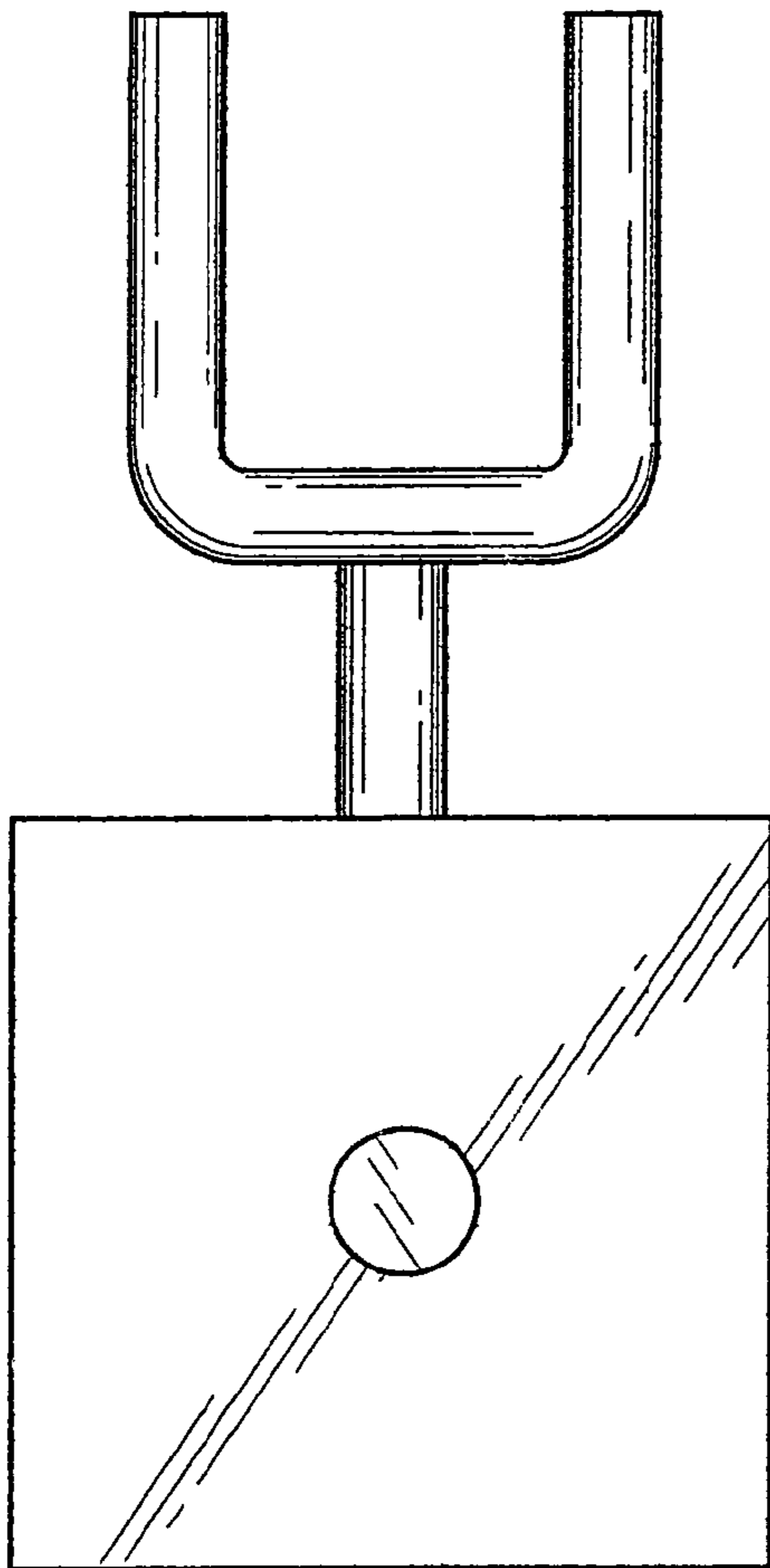


Fig. 2

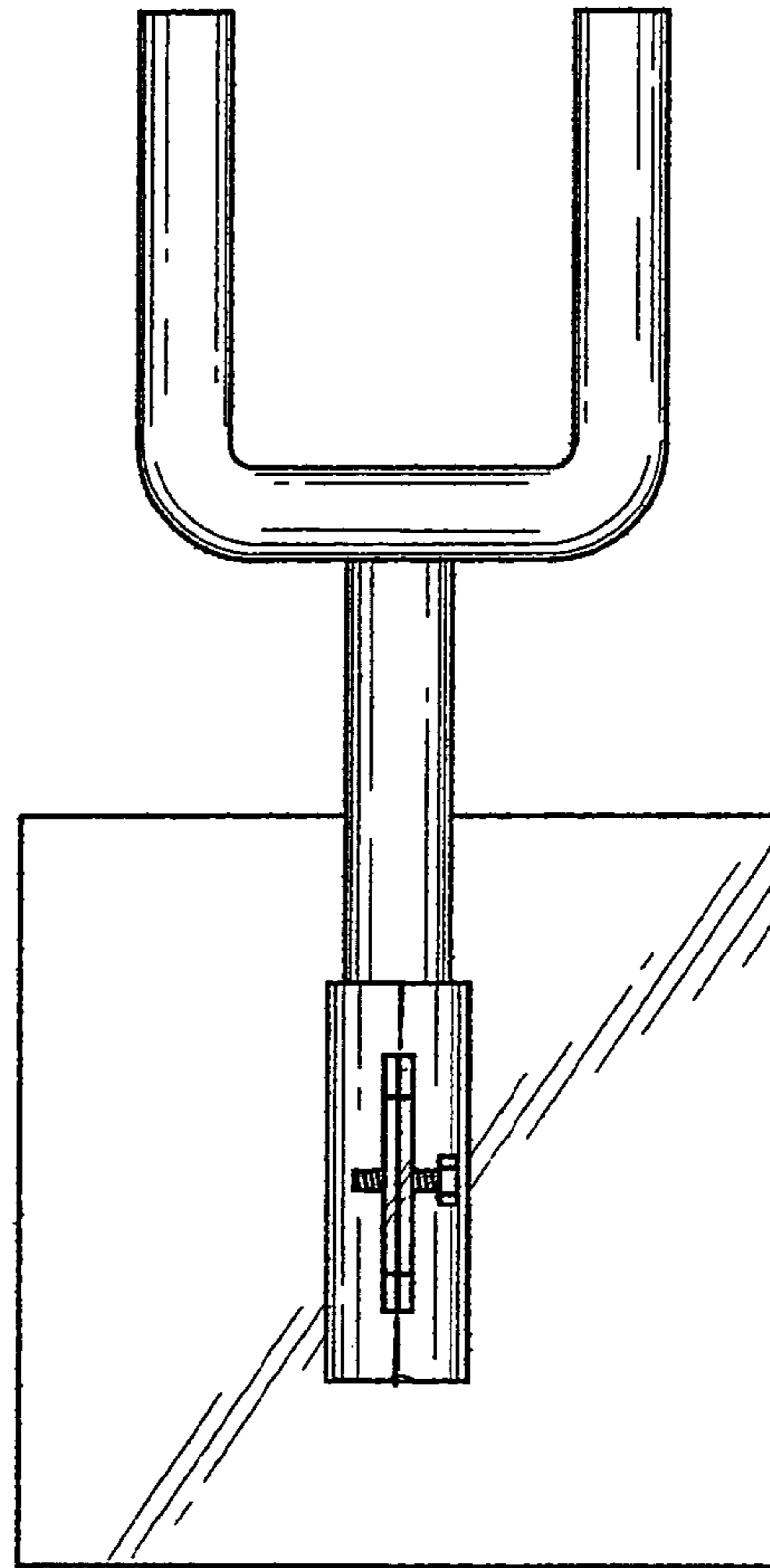


Fig. 3

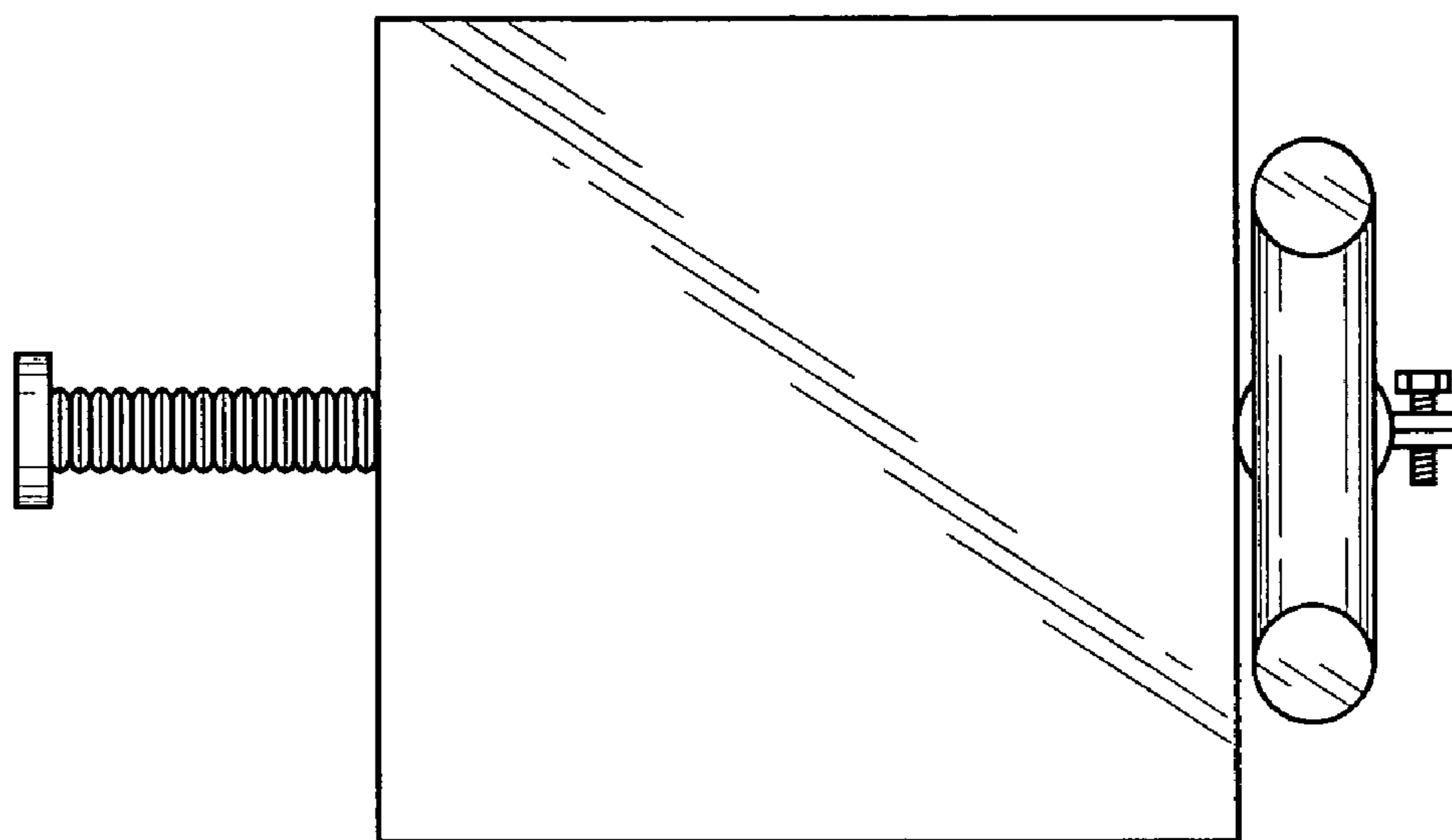


Fig. 4

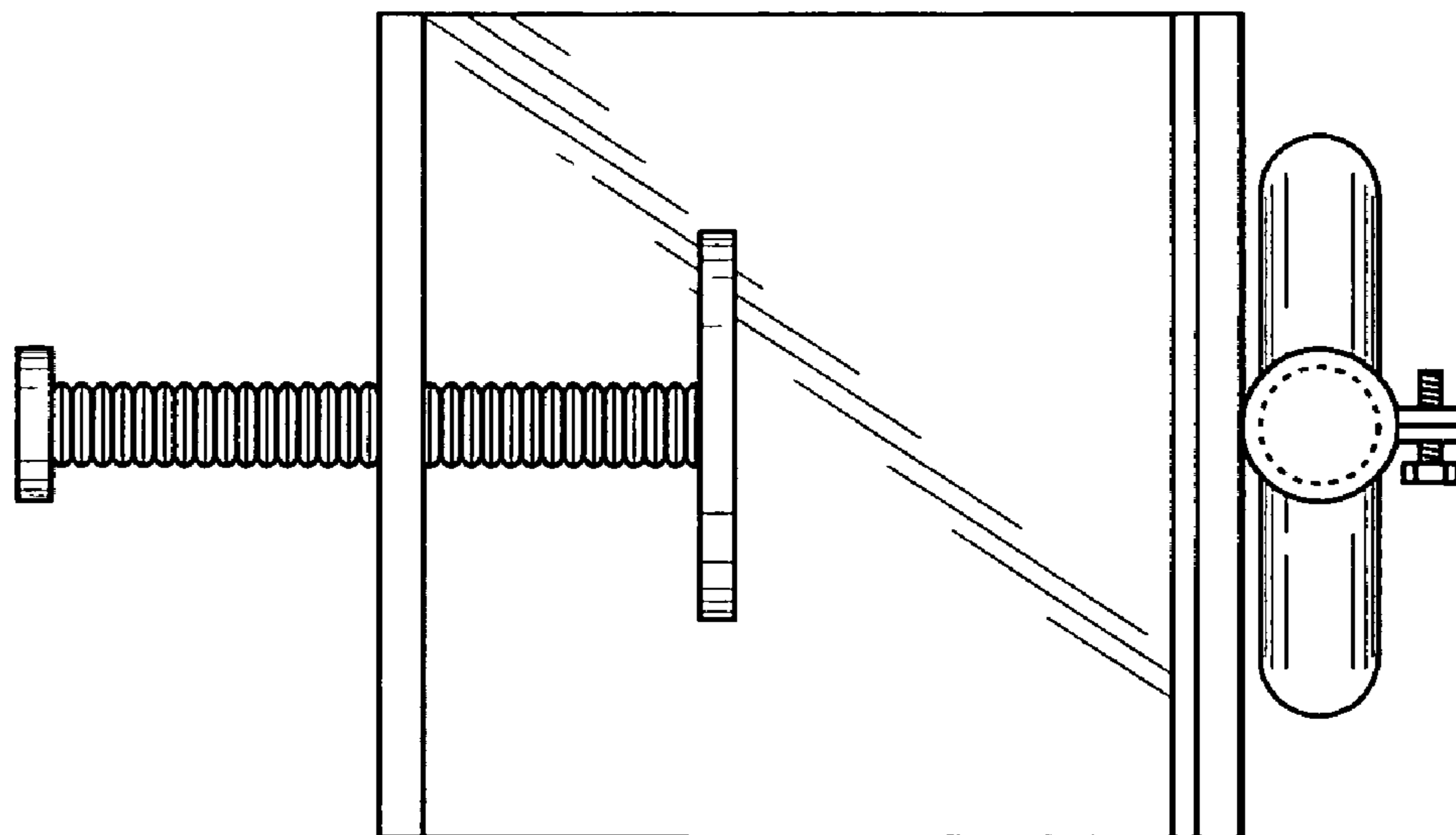


Fig. 5

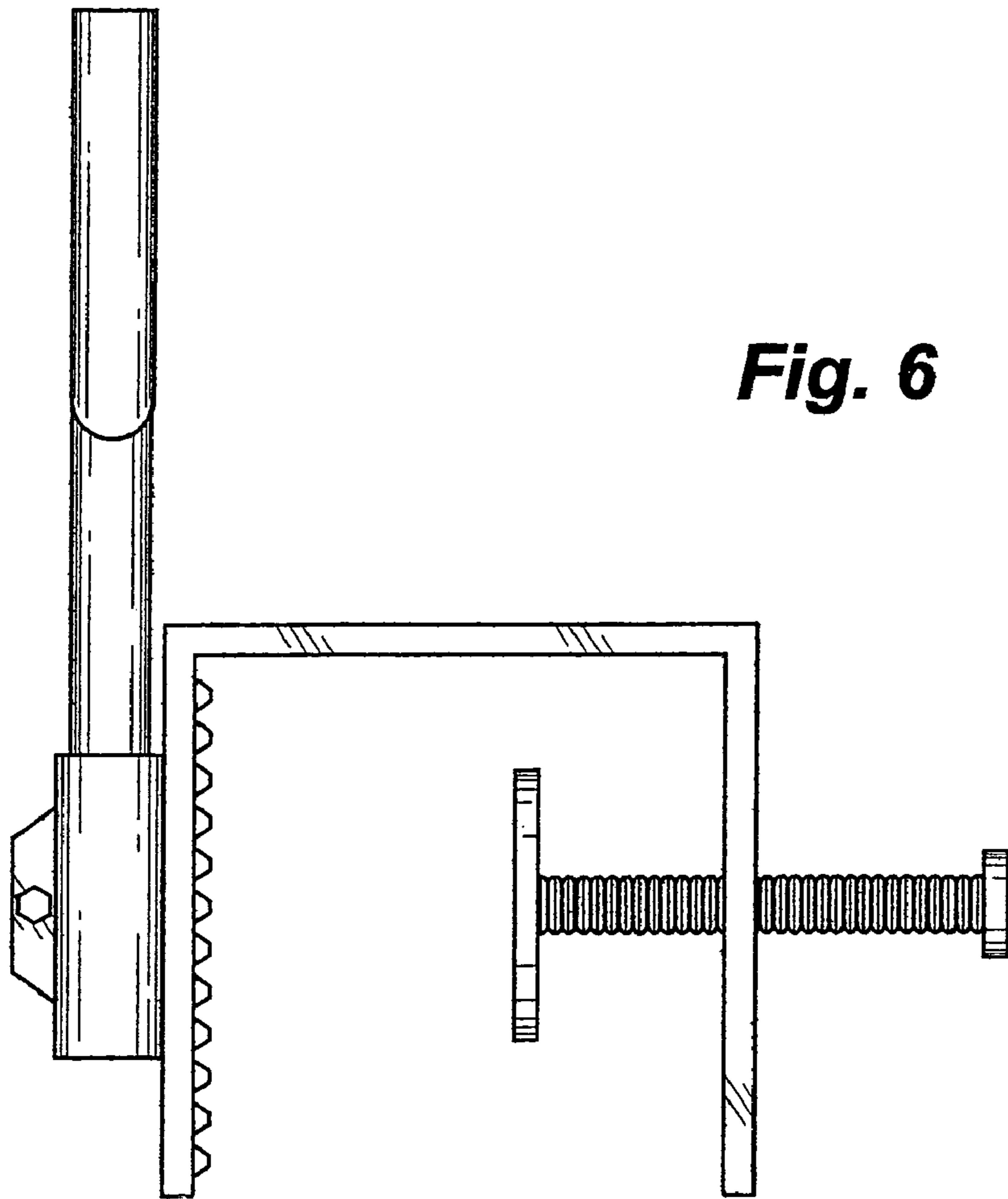


Fig. 7

