



US00D605244S

(12) **United States Design Patent**
Herkner et al.

(10) **Patent No.:** **US D605,244 S**

(45) **Date of Patent:** **** Dec. 1, 2009**

(54) **SNOW SHOE**

(76) Inventors: **Steven C. Herkner**, 6716 Traverse Rd.,
Thompsonville, MI (US) 49683; **Scott**
Griner, 9805 Inwood West, Interlochen,
MI (US) 49643

(**) Term: **14 Years**

(21) Appl. No.: **29/333,805**

(22) Filed: **Mar. 16, 2009**

(51) **LOC (9) Cl.** **02-04**

(52) **U.S. Cl.** **D21/768**

(58) **Field of Classification Search** D21/768,
D21/769, 771-774; 36/122-125

See application file for complete search history.

(56) **References Cited**

U.S. PATENT DOCUMENTS

1,154,347	A *	9/1915	Sprague	36/125
2,439,311	A *	4/1948	Maybery	280/600
D163,316	S *	5/1951	Paden	D21/768
D166,120	S *	3/1952	Paden	D21/768
2,987,834	A *	6/1961	Howe	36/125
3,744,162	A *	7/1973	Beck	36/125
3,798,801	A *	3/1974	Gros-Louis	36/122
D240,444	S *	7/1976	Butler	D21/768
4,348,824	A *	9/1982	Treadwell	36/125

5,881,477	A *	3/1999	Watson	36/122
6,092,312	A *	7/2000	Neidhardt	36/124
6,185,846	B1 *	2/2001	Neidhardt, Jr.	36/124
2003/0167657	A1 *	9/2003	Kiniry et al.	36/125

* cited by examiner

Primary Examiner—Janice E Seeger

Assistant Examiner—Zenia I Bennett

(74) *Attorney, Agent, or Firm*—Miller Canfield; Timothy Engling

(57) **CLAIM**

An ornamental design for a snow shoe, as shown and described.

DESCRIPTION

FIG. 1 is a perspective view of the snow shoe;

FIG. 2 is a top view of the snow shoe;

FIG. 3 is a bottom view of the snow shoe;

FIG. 4 is a left side view of the snow shoe;

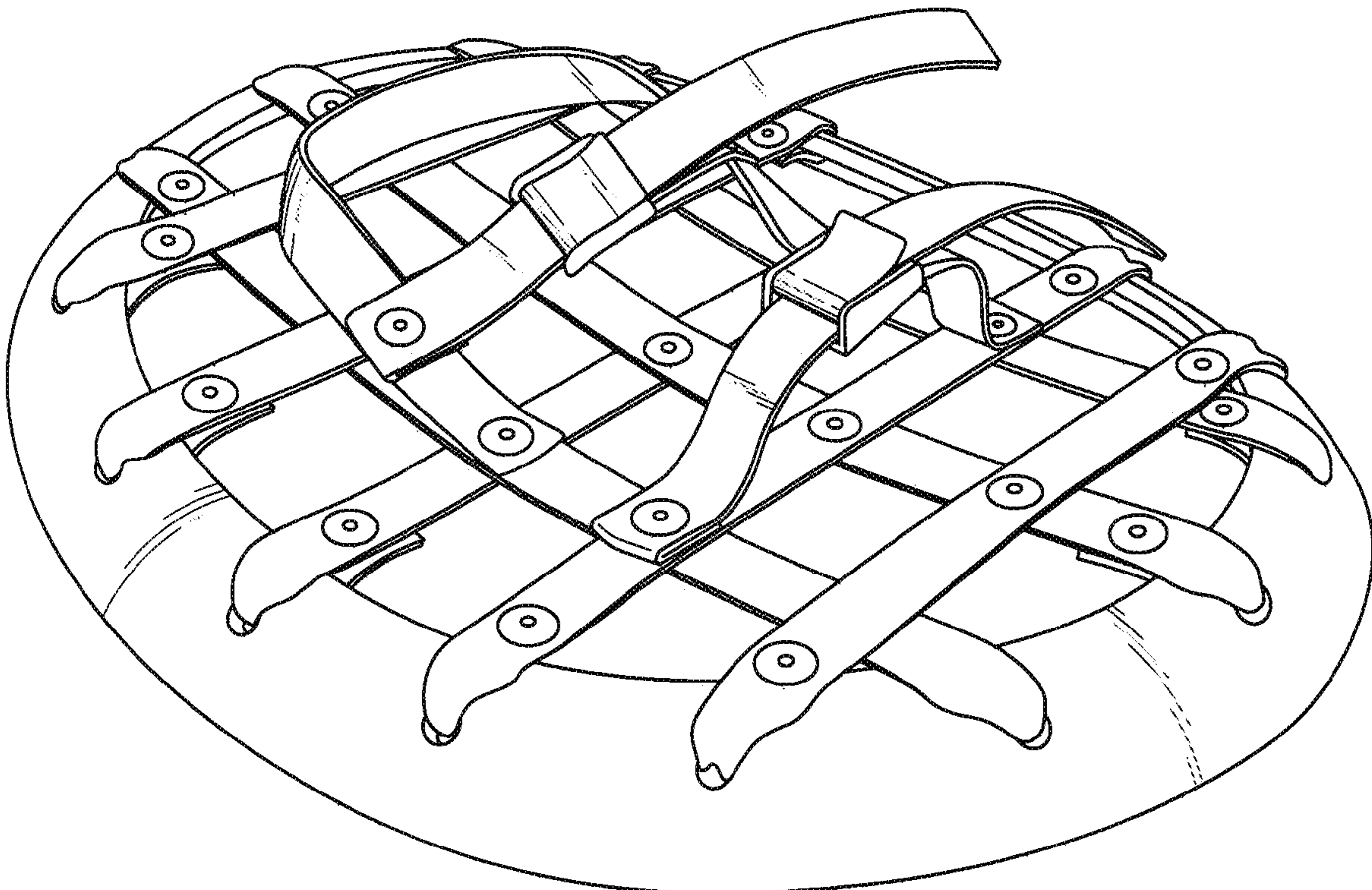
FIG. 5 is a right side view of the snow shoe;

FIG. 6 is a back view of the snow shoe; and,

FIG. 7 is a front view of the snow shoe.

The broken lines are for environmental purposes only and form no part of the claimed design.

1 Claim, 5 Drawing Sheets



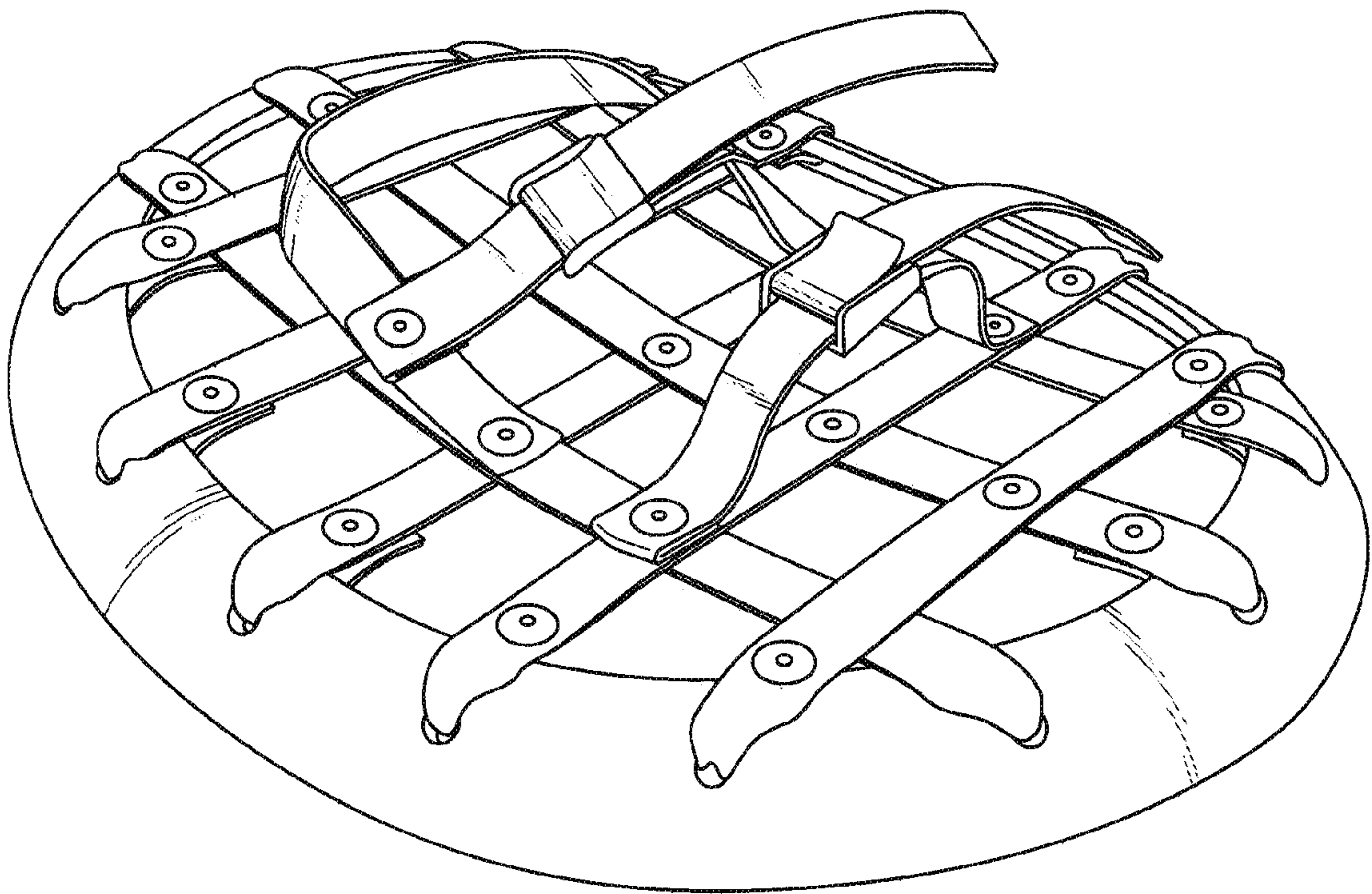


Fig. 1

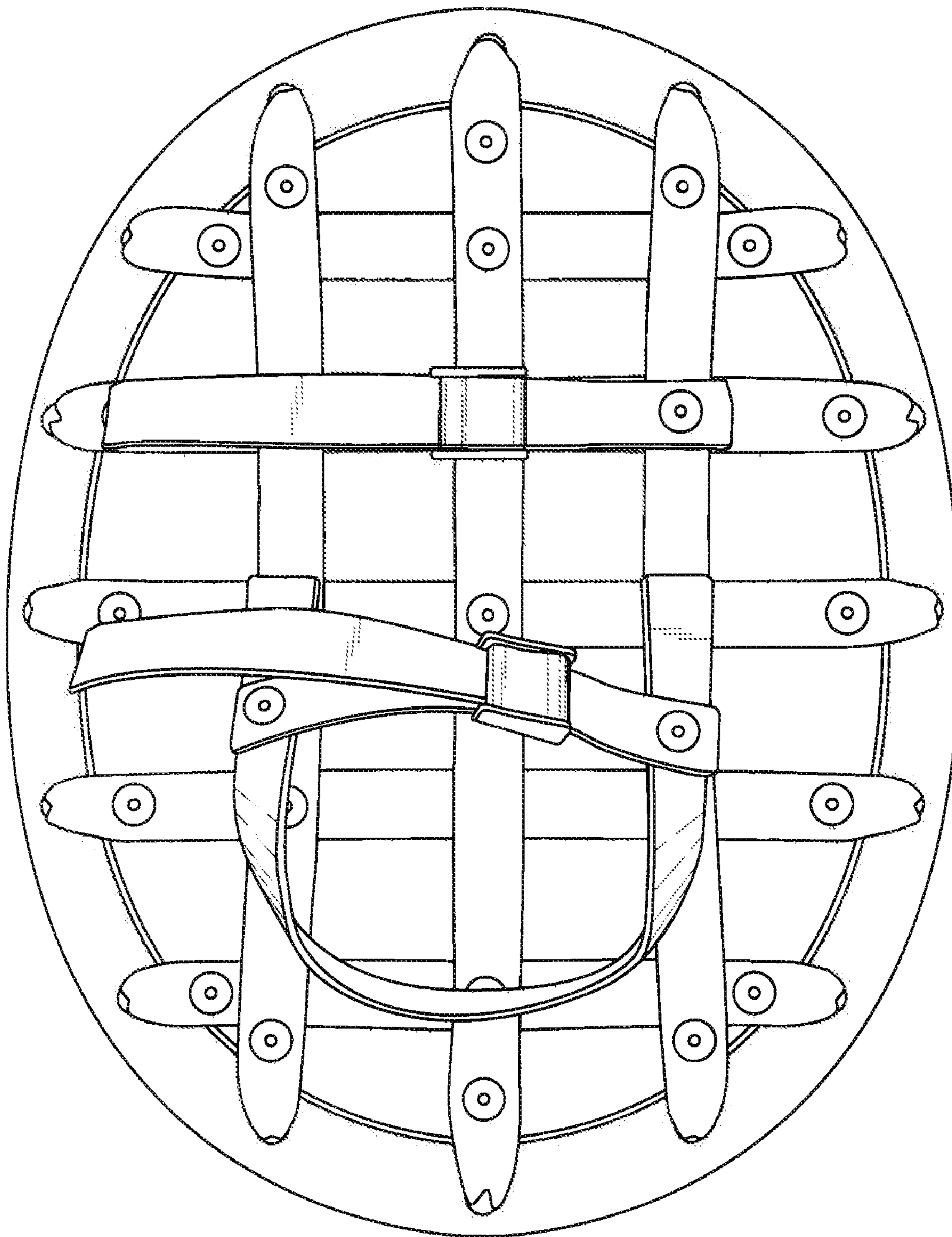


Fig. 2

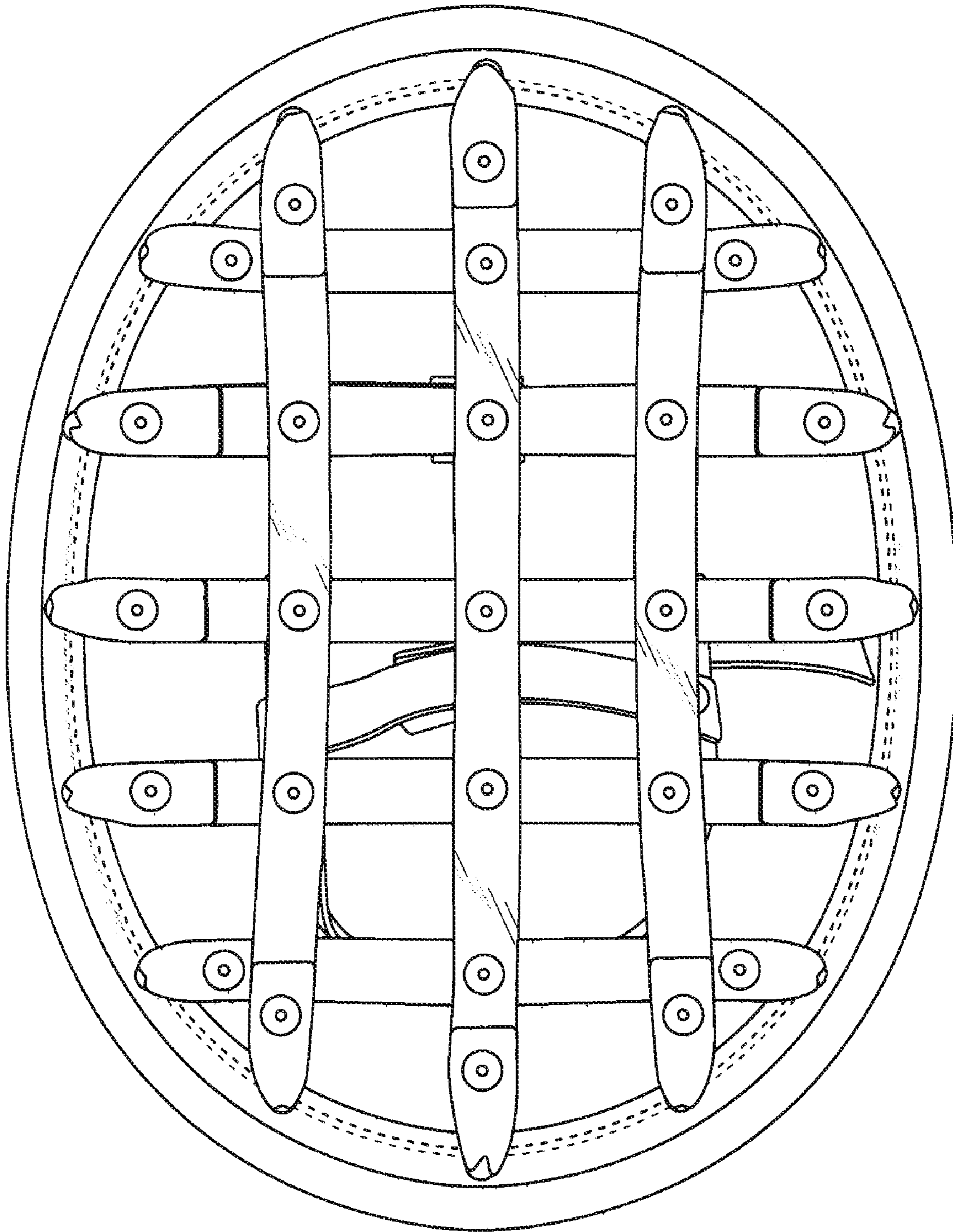


Fig. 3

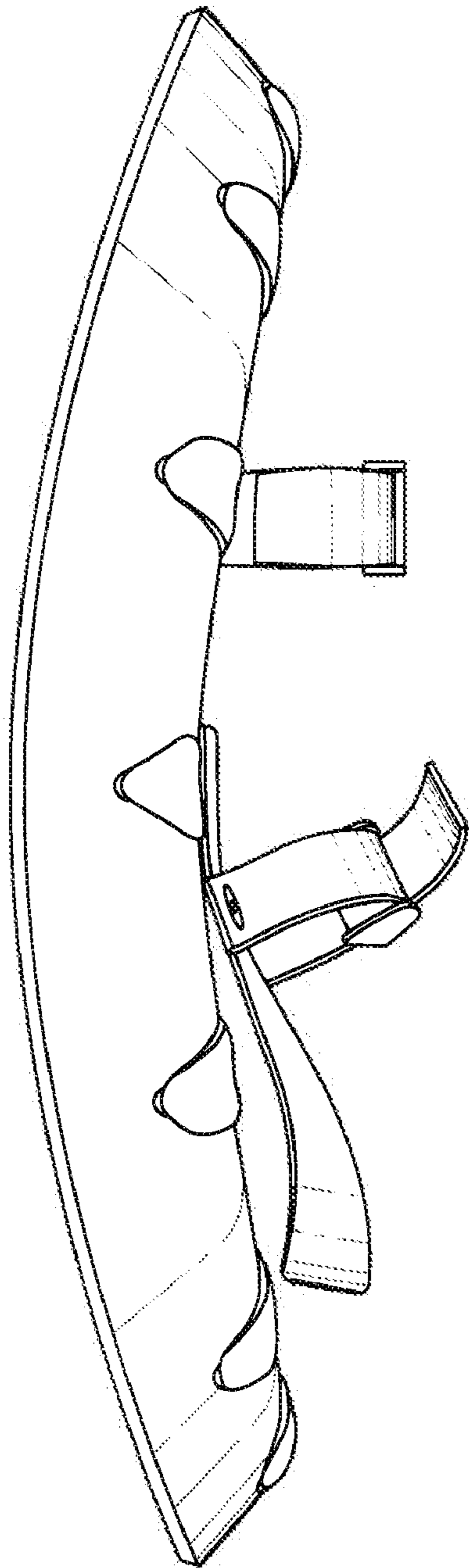


Fig. 4

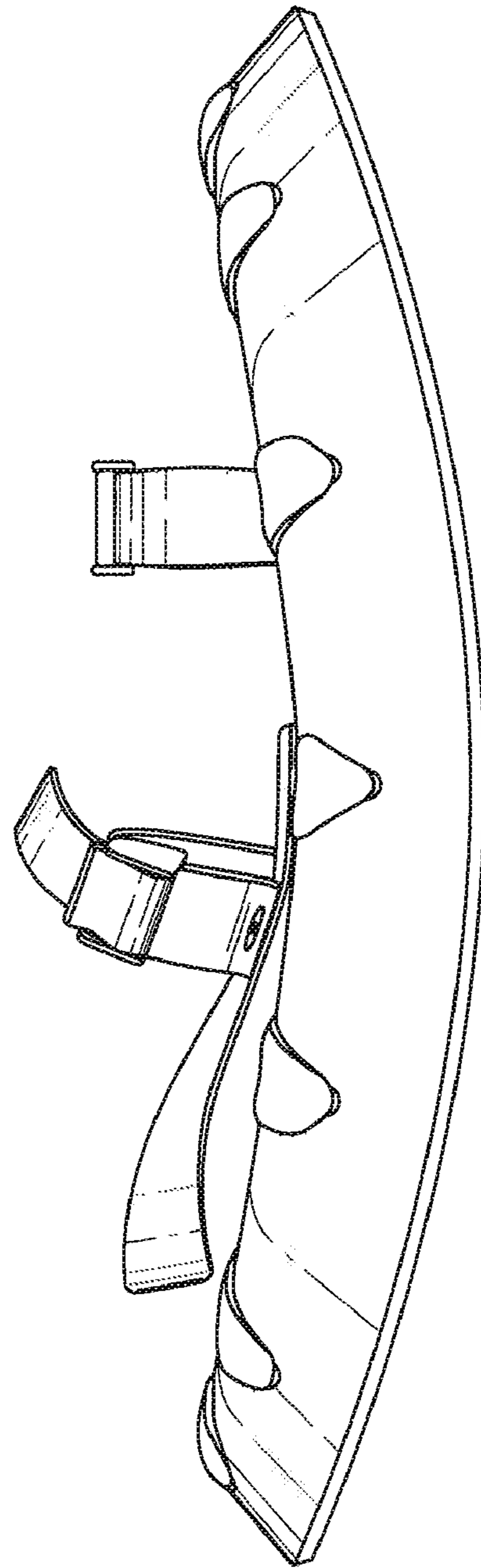


Fig. 5

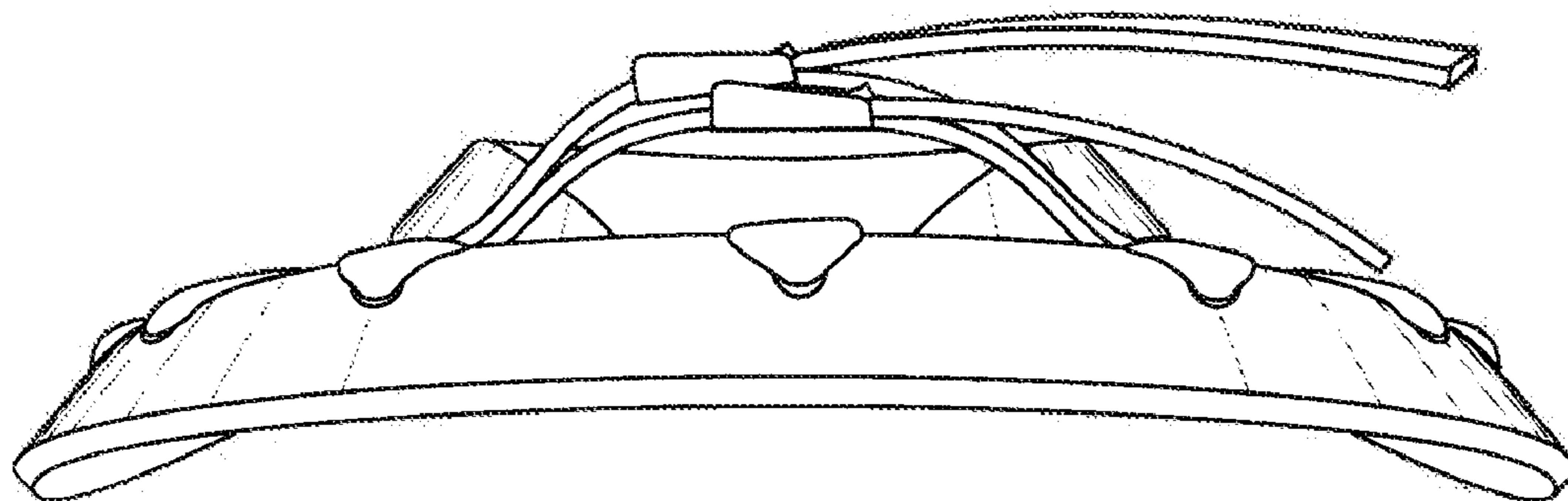


Fig. 6

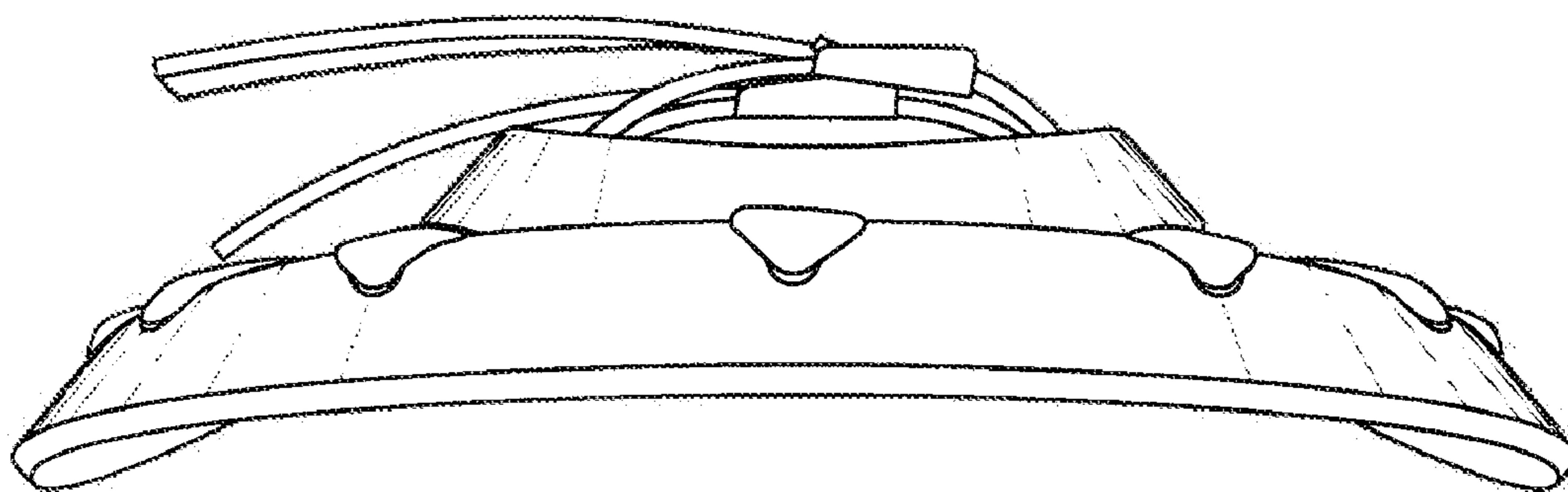


Fig. 7