



US00D605242S

(12) **United States Design Patent**  
**Franklin et al.**

(10) **Patent No.:** **US D605,242 S**

(45) **Date of Patent:** **\*\* \*Dec. 1, 2009**

(54) **GOLF CLUB HEAD FOR A PUTTER**

(75) Inventors: **David N. Franklin**, Granbury, TX (US);  
**John T. Stites**, Weatherford, TX (US)

(73) Assignee: **NIKE, Inc.**, Beaverton, OR (US)

(\*) Notice: This patent is subject to a terminal disclaimer.

(\*\*) Term: **14 Years**

(21) Appl. No.: **29/341,466**

(22) Filed: **Aug. 5, 2009**

**Related U.S. Application Data**

(63) Continuation of application No. 12/467,812, filed on May 18, 2009.

(51) **LOC (9) Cl.** ..... **21-02**

(52) **U.S. Cl.** ..... **D21/759**

(58) **Field of Classification Search** ..... D21/736-746,  
D21/759; 473/324-331, 340-341, 251-256  
See application file for complete search history.

(56) **References Cited**

**U.S. PATENT DOCUMENTS**

2,005,401	A	6/1935	Storz	
5,354,059	A	10/1994	Stuff	
6,605,006	B2	8/2003	Mason	
D532,070	S	11/2006	Solari	
7,261,644	B2	8/2007	Burrows	
D553,702	S	10/2007	Frame et al.	
D570,934	S *	6/2008	Ban et al.	D21/744
D572,786	S *	7/2008	Ban et al.	D21/759
7,465,240	B2	12/2008	Frame	
D588,221	S	3/2009	Takahashi	
D588,222	S *	3/2009	Takahashi	D21/759
D588,666	S *	3/2009	Takahashi	D21/759
D589,107	S *	3/2009	Oldknow	D21/759
D594,921	S	6/2009	Bettinardi	

2007/0243949	A1	10/2007	Solari
2008/0125240	A1	5/2008	Tateno et al.
2009/0105008	A1	4/2009	Kuan et al.
2009/0149271	A1	6/2009	Nakamura

**OTHER PUBLICATIONS**

Odyssey Dual Force 2 #5 Putter, Edwin Watts web site, date unknown but prior to filing date of the present application; <http://www.edwinwattsgolf.com/wcsstore/EdwinWatts/images/product/3948-3.jpg>.

Yes Golf Callie Forged Putter, Edwin Watts web site, date unknown but prior to filing date of the present application; <http://www.edwinwattsgolf.com/wcsstore/EdwinWatts/images/product/10990-3.jpg>.

Hybrid Blade Putter from Rife Putters, date unknown but prior to the filing of the present application; <http://rifeputters.com/products/hybrid/20/two-bar-hybrid-blade/>.

Pure Red 2 Putter by Benross, 2009.

Agsi Putter, TaylorMade, 2005.

\* cited by examiner

*Primary Examiner*—Mitchell I Siegel

(74) *Attorney, Agent, or Firm*—Banner & Witcoff, Ltd.

(57) **CLAIM**

The ornamental design for a golf club head for a putter, as shown and described.

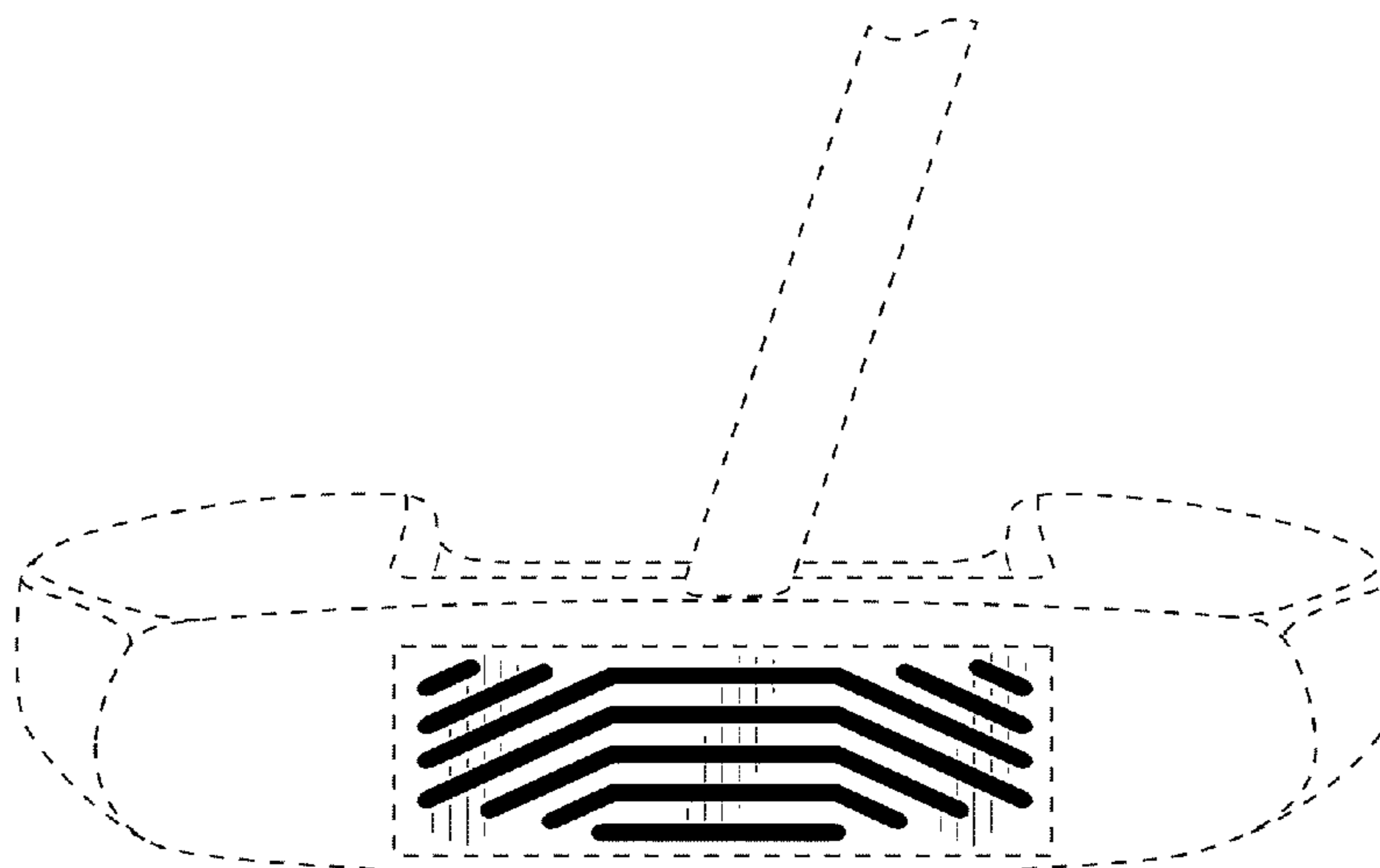
**DESCRIPTION**

FIG. 1 is a front view of a golf club head for a putter showing our new design; and,

FIG. 2 is a top perspective view thereof.

The solid black shading represents a contrast corresponding to a change in appearance due to material, texture, or color. The broken line showing that is immediately adjacent to the shaded area represents an unclaimed boundary and forms no part of the claimed design. The broken line showing of the remainder of the golf club head for a putter is for illustrative purposes only and forms no part of the claimed design.

**1 Claim, 1 Drawing Sheet**



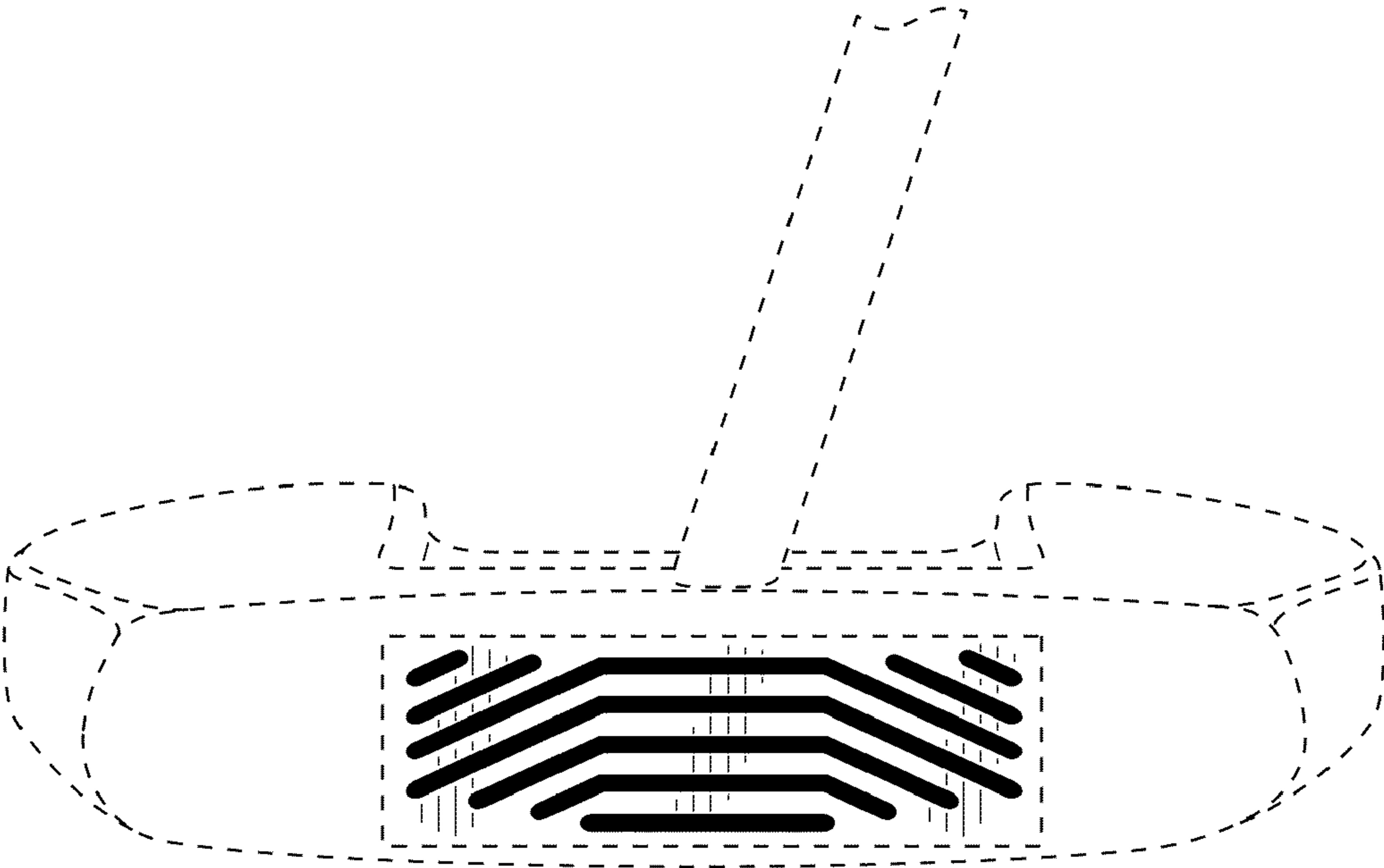


FIG. 1

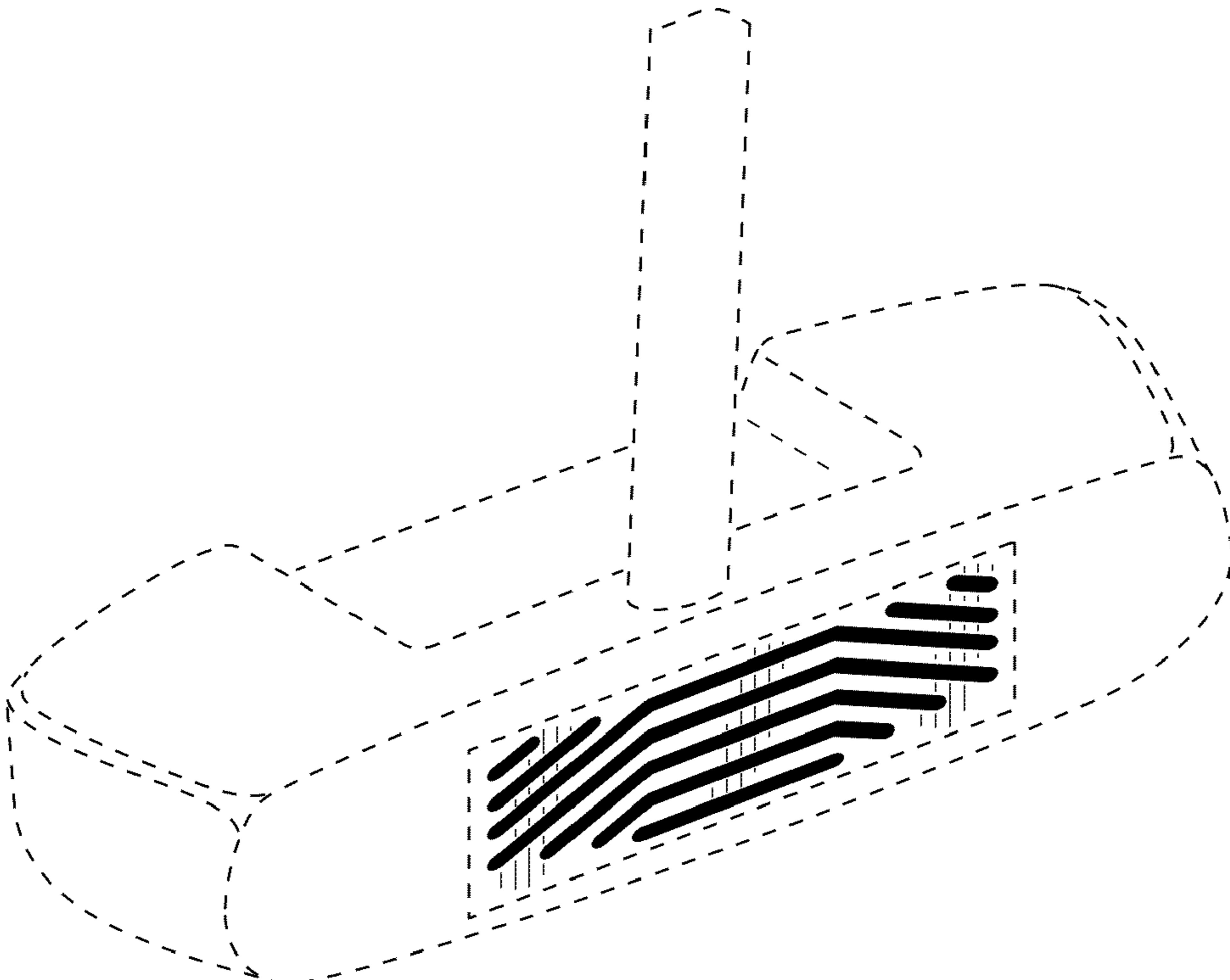


FIG. 2