



US00D605239S

(12) **United States Design Patent**
Riggins

(10) **Patent No.:** **US D605,239 S**

(45) **Date of Patent:** **** Dec. 1, 2009**

(54) **TUBULAR FOAM EXERCISE DEVICE**

6,099,447 A * 8/2000 Ramsaroop 482/127

(76) Inventor: **Ruston L Riggins**, 317 Galveston, Hot Springs, AR (US) 71913

* cited by examiner

Primary Examiner—Philip S Hyder

(74) *Attorney, Agent, or Firm*—Joe D. Calhoun

(**) Term: **14 Years**

(21) Appl. No.: **29/330,899**

(57) **CLAIM**

(22) Filed: **Jan. 15, 2009**

The ornamental design for a tubular foam exercise device, as shown and described.

(51) **LOC (9) Cl.** **21-02**

(52) **U.S. Cl.** **D21/692**

(58) **Field of Classification Search** D21/662,
D21/684, 692; 482/121, 122, 123, 124, 125,
482/126, 129

See application file for complete search history.

DESCRIPTION

FIG. 1 depicts a front perspective view of the tubular foam exercise device.

FIG. 2 depicts a top plan view of the device of FIG. 1.

FIG. 3 depicts a bottom plan view of the device of FIG. 1.

FIG. 4 depicts a rear perspective view of the device of FIG. 1.

FIG. 5 depicts a front elevation view of the device of FIG. 1.

FIG. 6 depicts a left side elevation view of the device of FIG. 1.

FIG. 7 depicts a right side elevation view of the device of FIG. 1.

FIG. 8 depicts a front perspective view of the device of FIG. 1, in an expanded state; and,

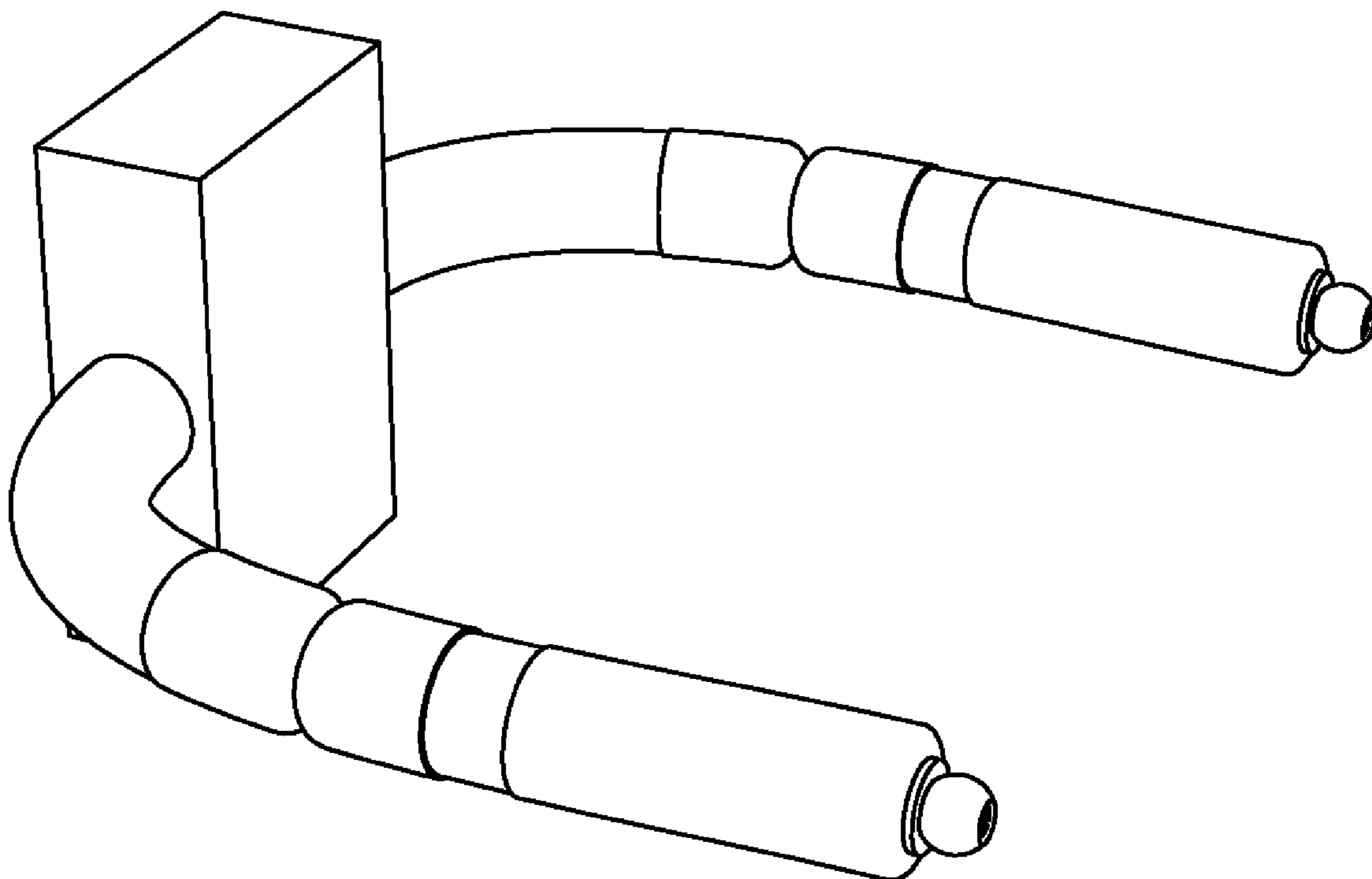
FIG. 9 depicts a top plan view of the device of FIG. 8.

(56) **References Cited**

U.S. PATENT DOCUMENTS

4,251,071	A *	2/1981	Norton	482/125
4,335,875	A *	6/1982	Elkin	482/74
4,540,173	A *	9/1985	Hopkins, Jr.	482/124
4,691,917	A *	9/1987	Battista	482/131
5,143,057	A *	9/1992	DePasquale	482/131
5,328,432	A *	7/1994	Gvoich	482/118
D368,501	S *	4/1996	Woodruff	D21/692
5,514,059	A *	5/1996	Romney	482/124
5,518,481	A *	5/1996	Darkwah	482/126
5,769,764	A *	6/1998	Tilberis	482/124
5,857,948	A *	1/1999	Barnett	482/140

1 Claim, 3 Drawing Sheets



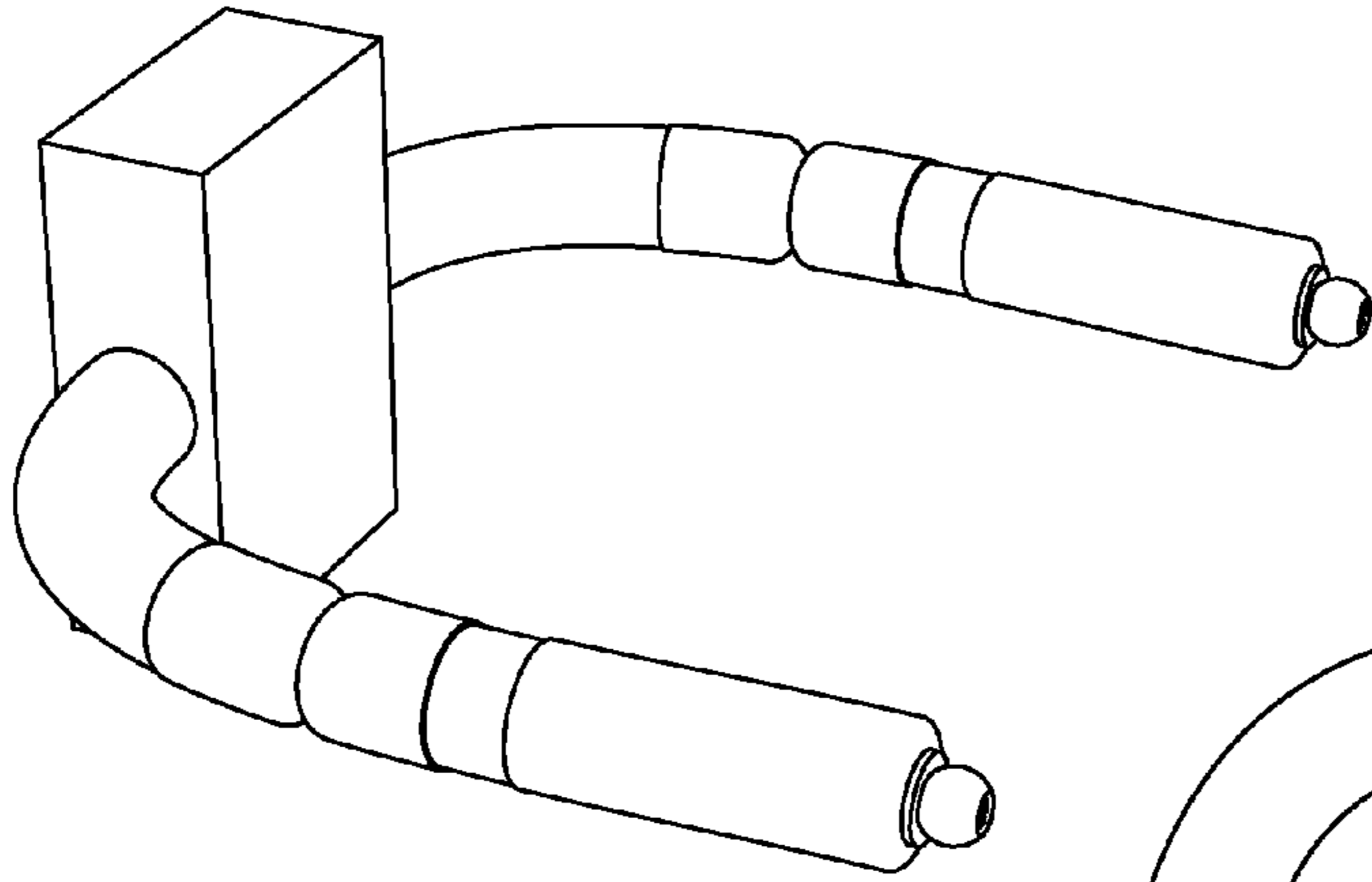


FIG. 1

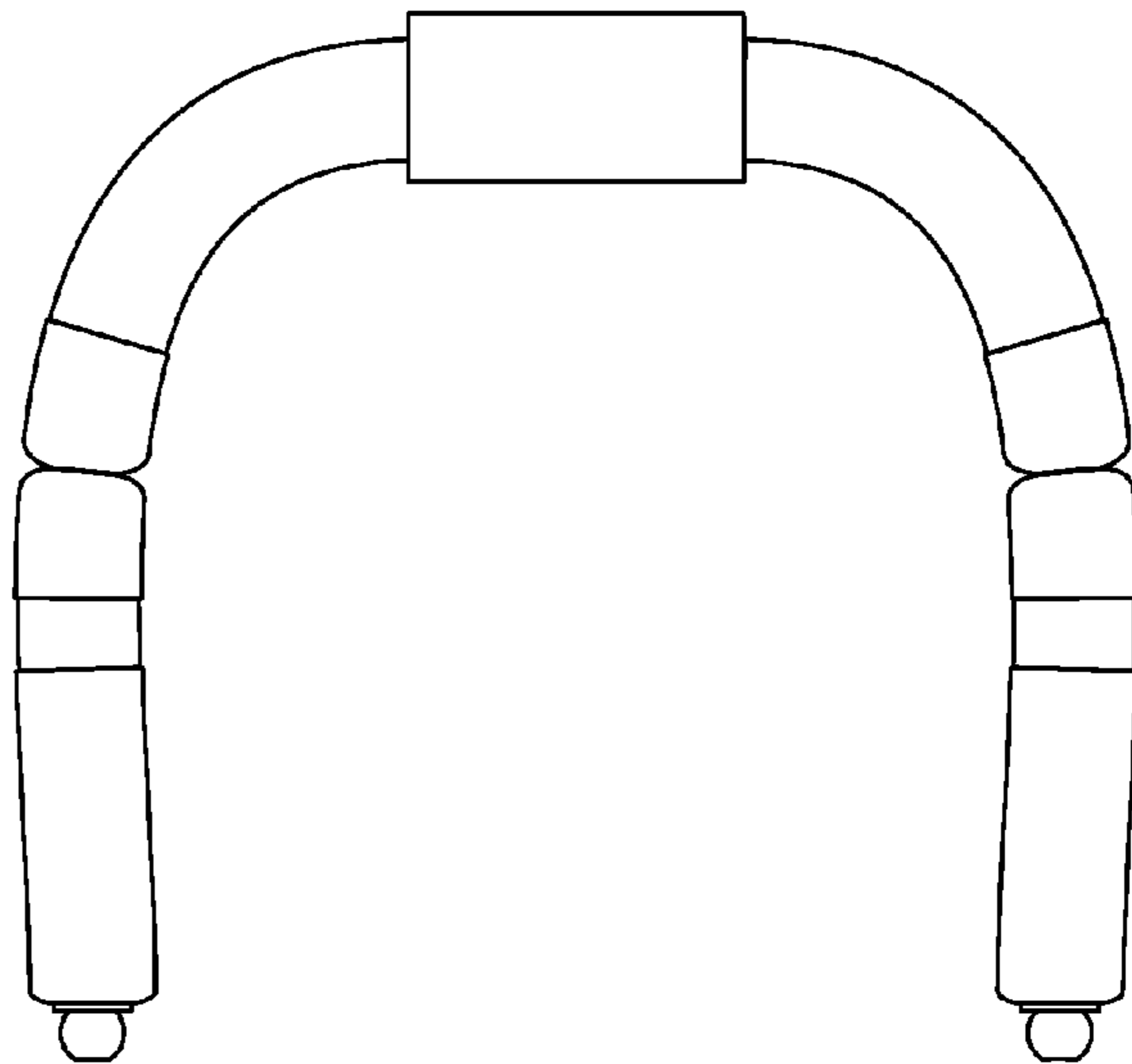


FIG. 2

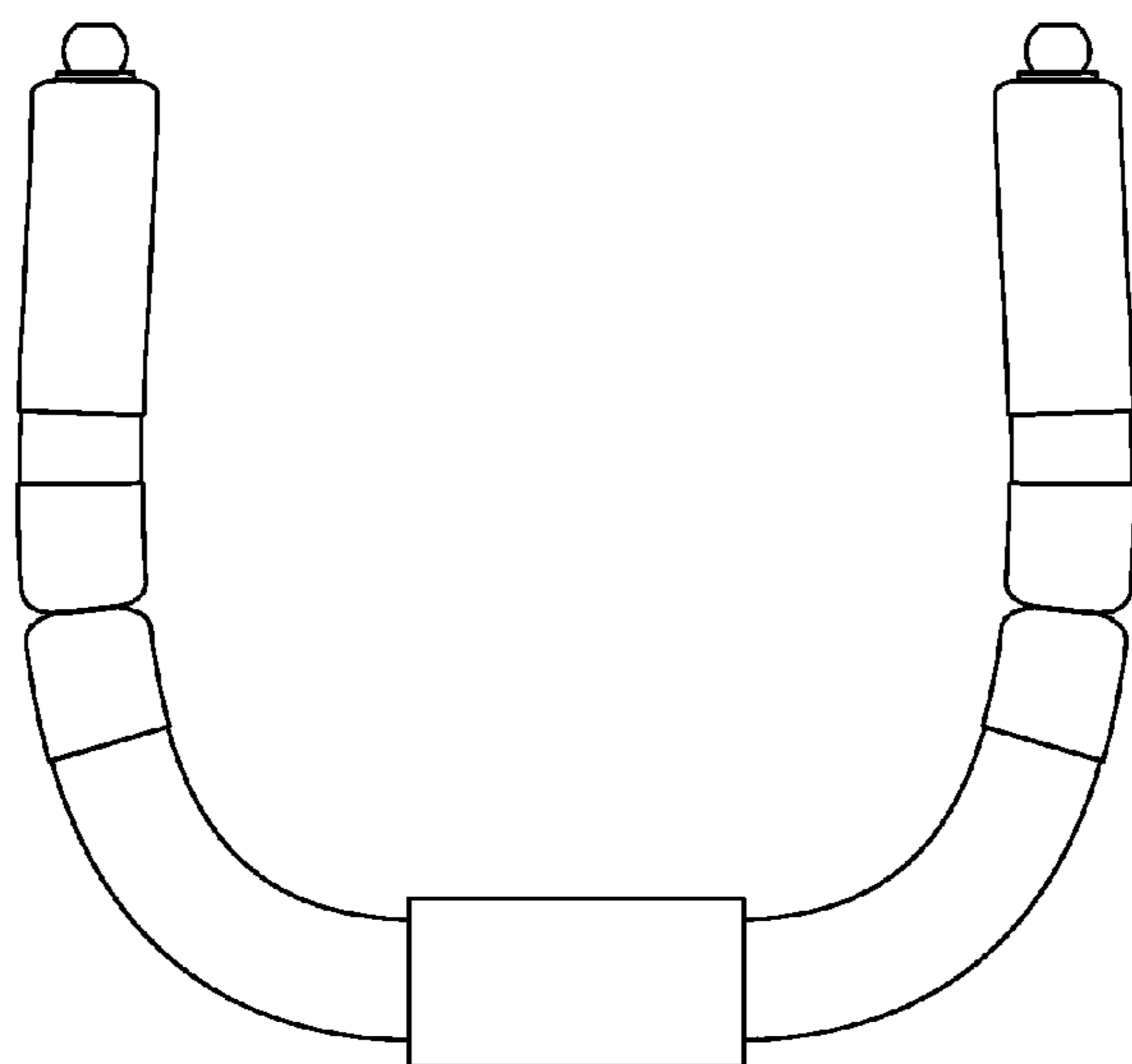


FIG. 3

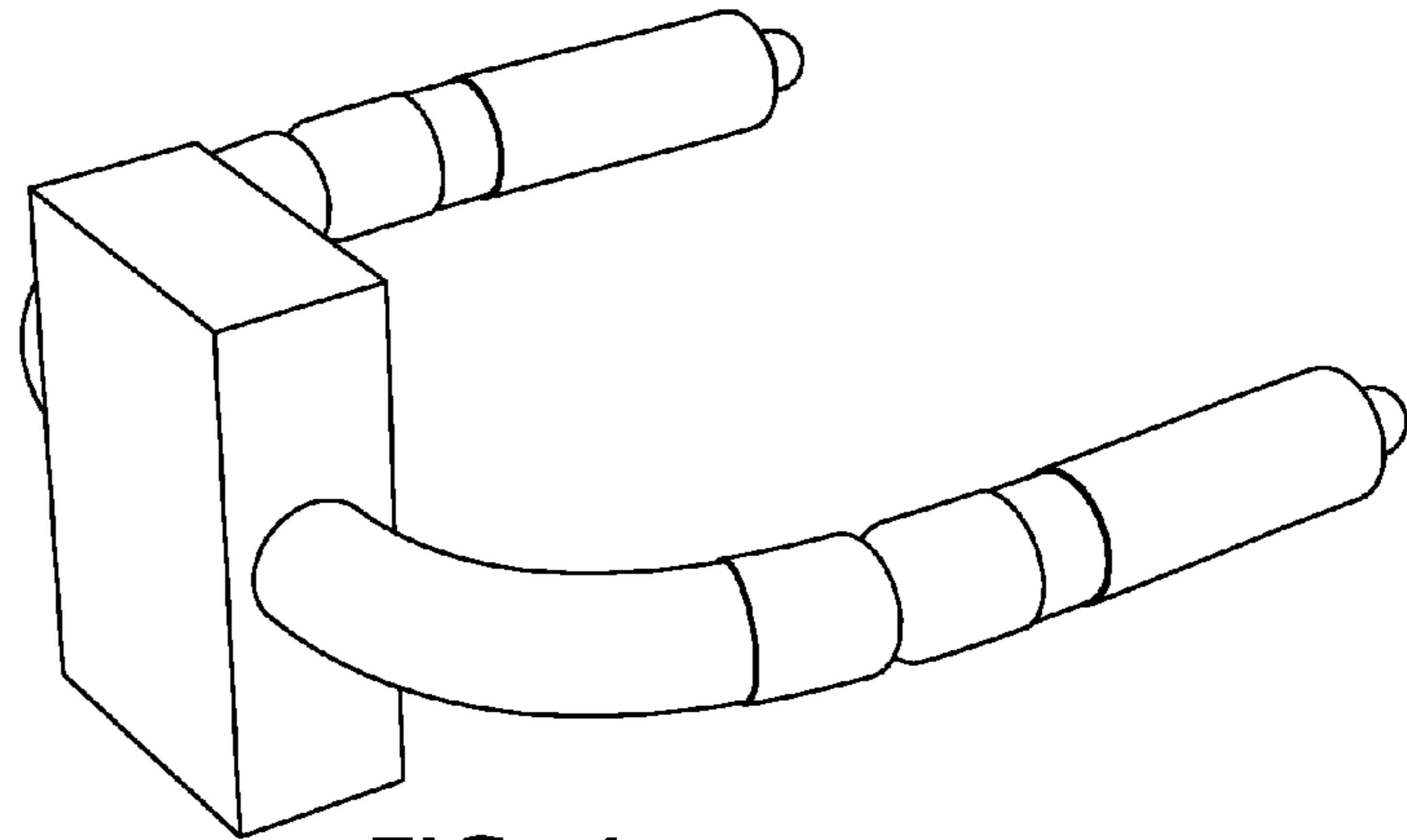


FIG. 4

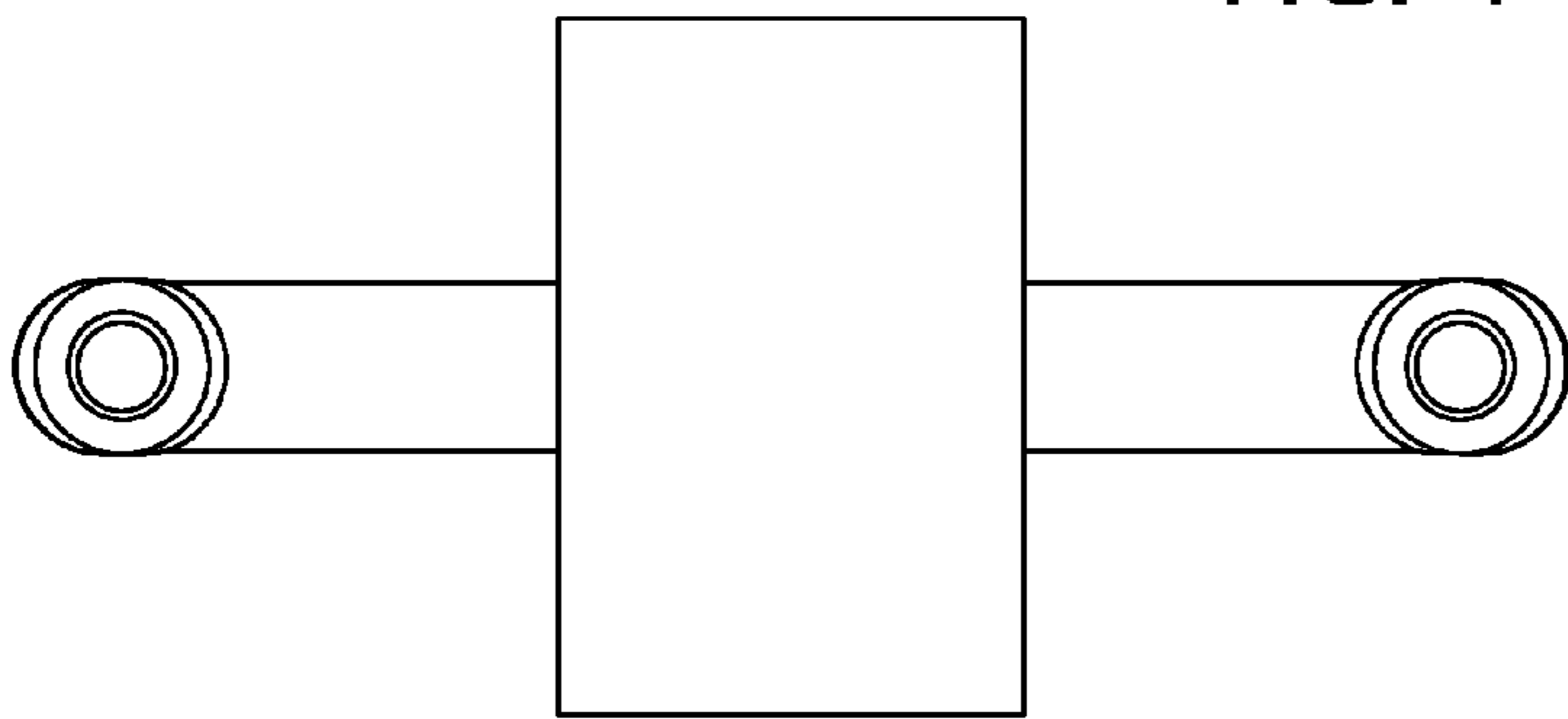


FIG. 5

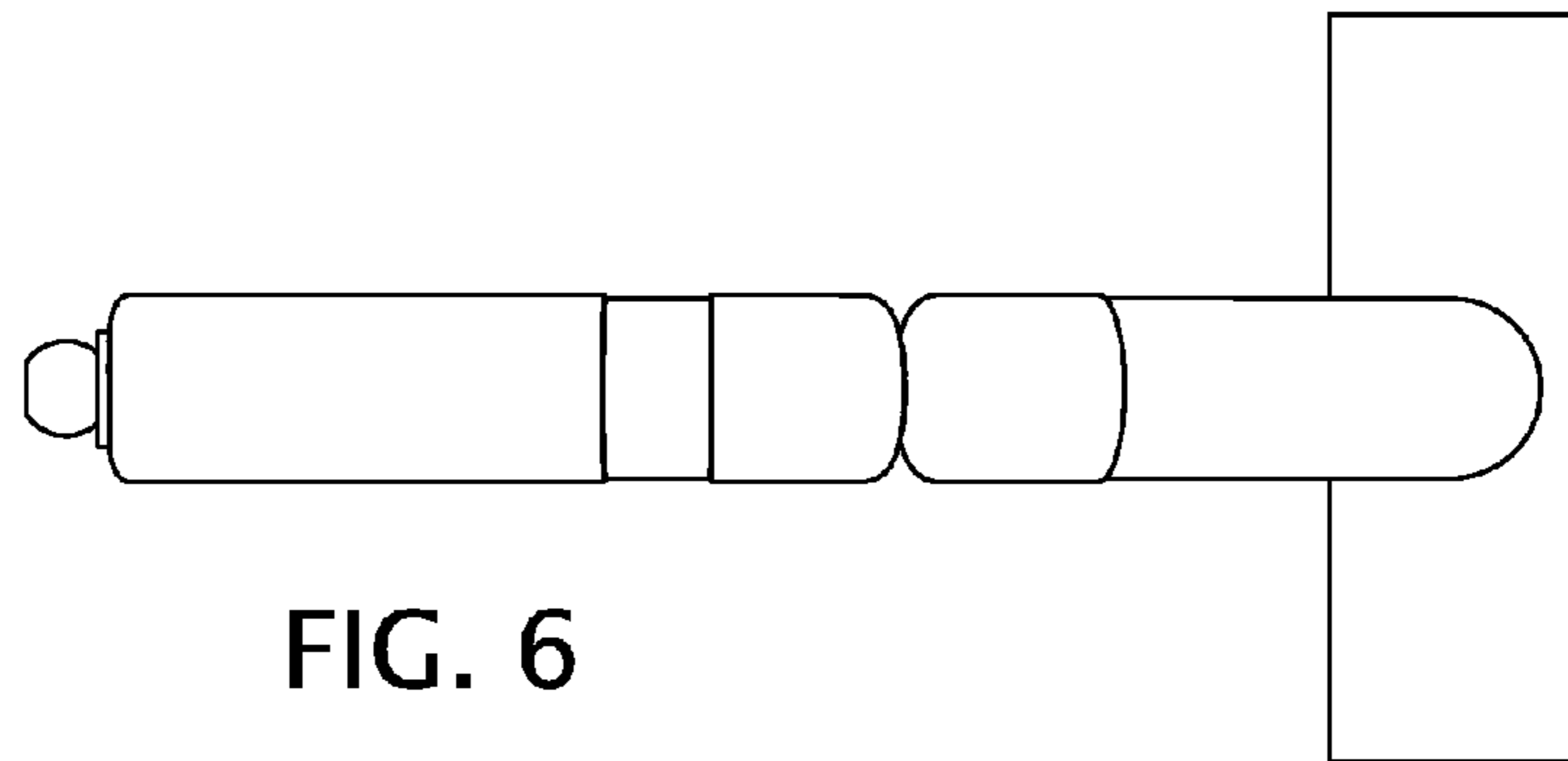


FIG. 6

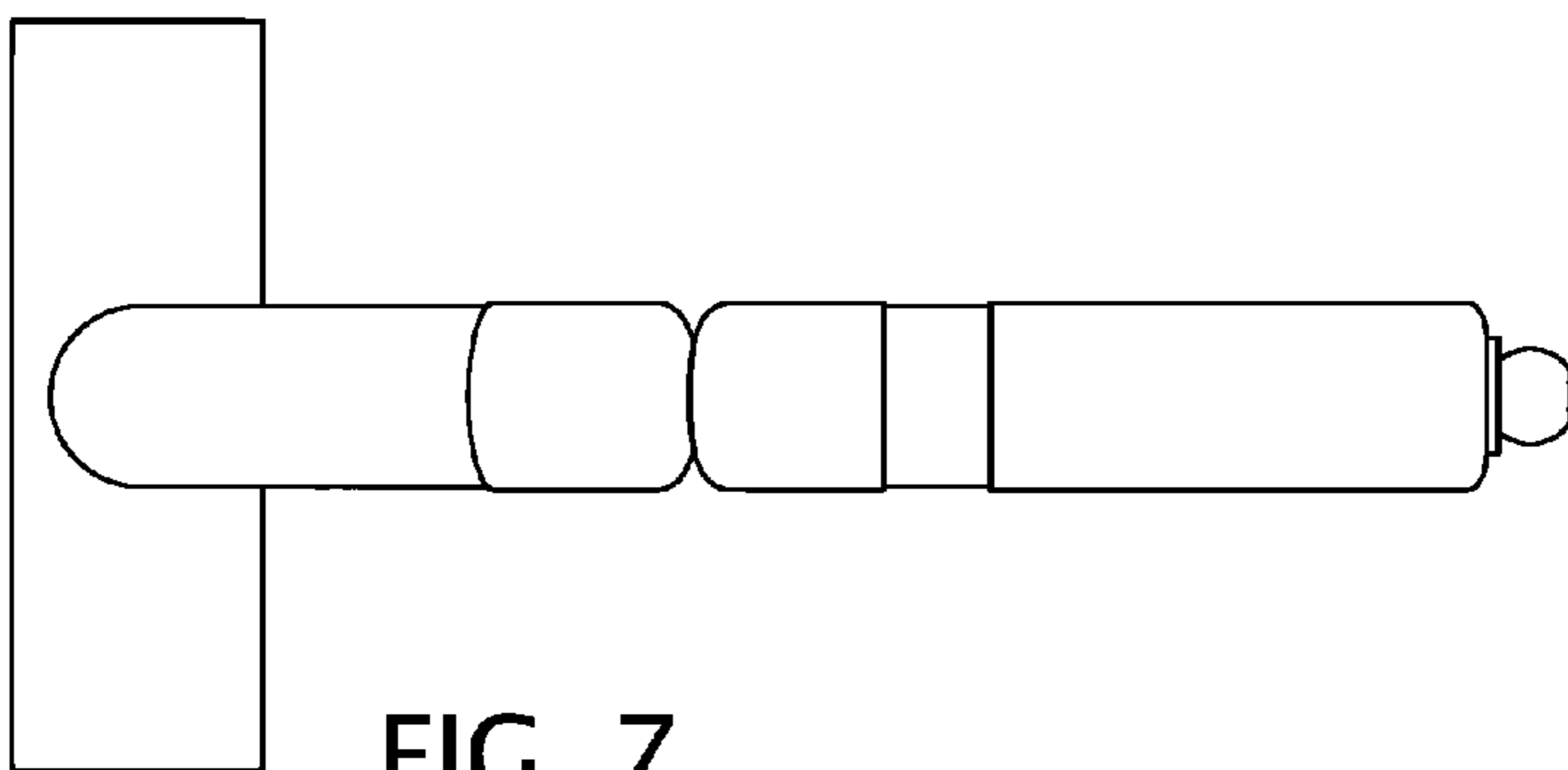


FIG. 7

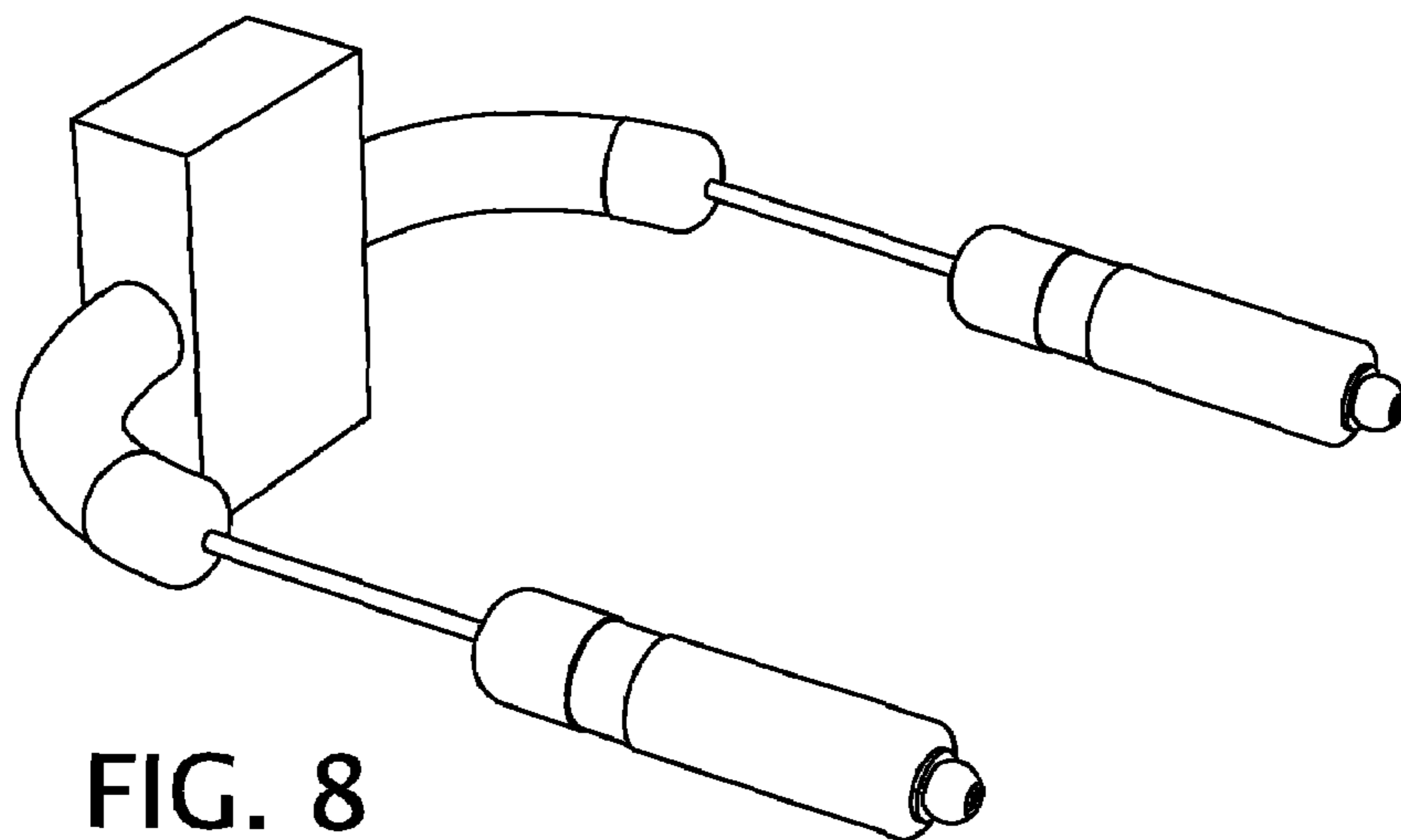


FIG. 8

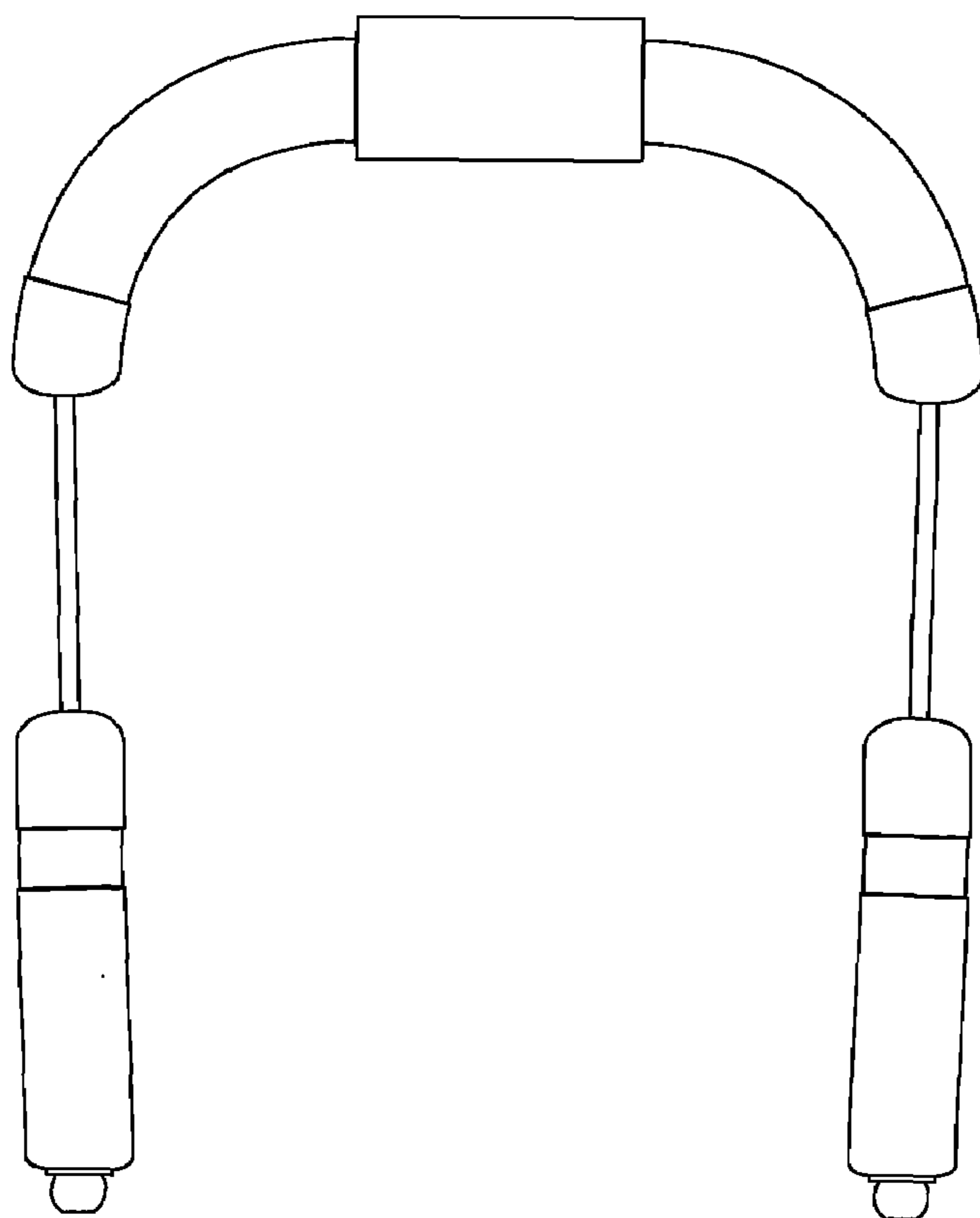


FIG. 9