



US00D605238S

(12) **United States Design Patent**
Gan

(10) **Patent No.:** **US D605,238 S**

(45) **Date of Patent:** **** Dec. 1, 2009**

(54) **COMBINING PORTION OF PAINTBALL GUN BARREL**

(76) Inventor: **Yao-Gwo Gan**, No. 25, Alley 6, Lane 112, Jhongeing Rd., Taichung City (TW)

(**) Term: **14 Years**

(21) Appl. No.: **29/330,625**

(22) Filed: **Jan. 9, 2009**

(51) **LOC (9) Cl.** **21-01**

(52) **U.S. Cl.** **D21/573**

(58) **Field of Classification Search** D21/570-575;
D22/100, 103, 108; 124/41.1, 45, 49, 51.1,
124/55, 56, 69, 70-79, 80, 83, 84; 89/14.2,
89/14.4

See application file for complete search history.

(56) **References Cited**

U.S. PATENT DOCUMENTS

D285,235 S *	8/1986	Cellini	D22/108
D285,331 S *	8/1986	Cellini	D22/108
D349,147 S *	7/1994	Gwinn, Jr.	D22/108
D366,087 S *	1/1996	Gildark	D22/108
D380,249 S *	6/1997	Bingham et al.	D22/108
5,773,746 A *	6/1998	Vaden	89/14.4
D426,611 S *	6/2000	Behling	D22/108
D440,262 S *	4/2001	Fernandez et al.	D21/570
6,494,195 B2 *	12/2002	Perry et al.	124/84
D533,908 S *	12/2006	Jones	D21/573
D535,709 S *	1/2007	Jones	D21/573
D544,928 S *	6/2007	Jones	D21/573
D559,923 S *	1/2008	Broersma	D21/573

D561,293 S *	2/2008	Mott	D22/108
D582,502 S *	12/2008	Brittingham	D22/108
D584,787 S *	1/2009	Brittingham	D22/108
D585,518 S *	1/2009	Brittingham	D22/108
D591,382 S *	4/2009	Brittingham	D22/108
2003/0041849 A1 *	3/2003	Perry et al.	124/84
2005/0066953 A1 *	3/2005	Zouboulakis	124/73

* cited by examiner

Primary Examiner—Holly H Baynham

Assistant Examiner—Cynthia M Chin

(74) *Attorney, Agent, or Firm*—Banger Shia

(57) **CLAIM**

I claim the ornamental design for a combining portion of paintball gun barrel, as shown and described.

DESCRIPTION

FIG. 1 is a perspective view of a combining portion of paintball gun barrel;

FIG. 2 is a front view thereof;

FIG. 3 is a rear view thereof;

FIG. 4 is a left view thereof;

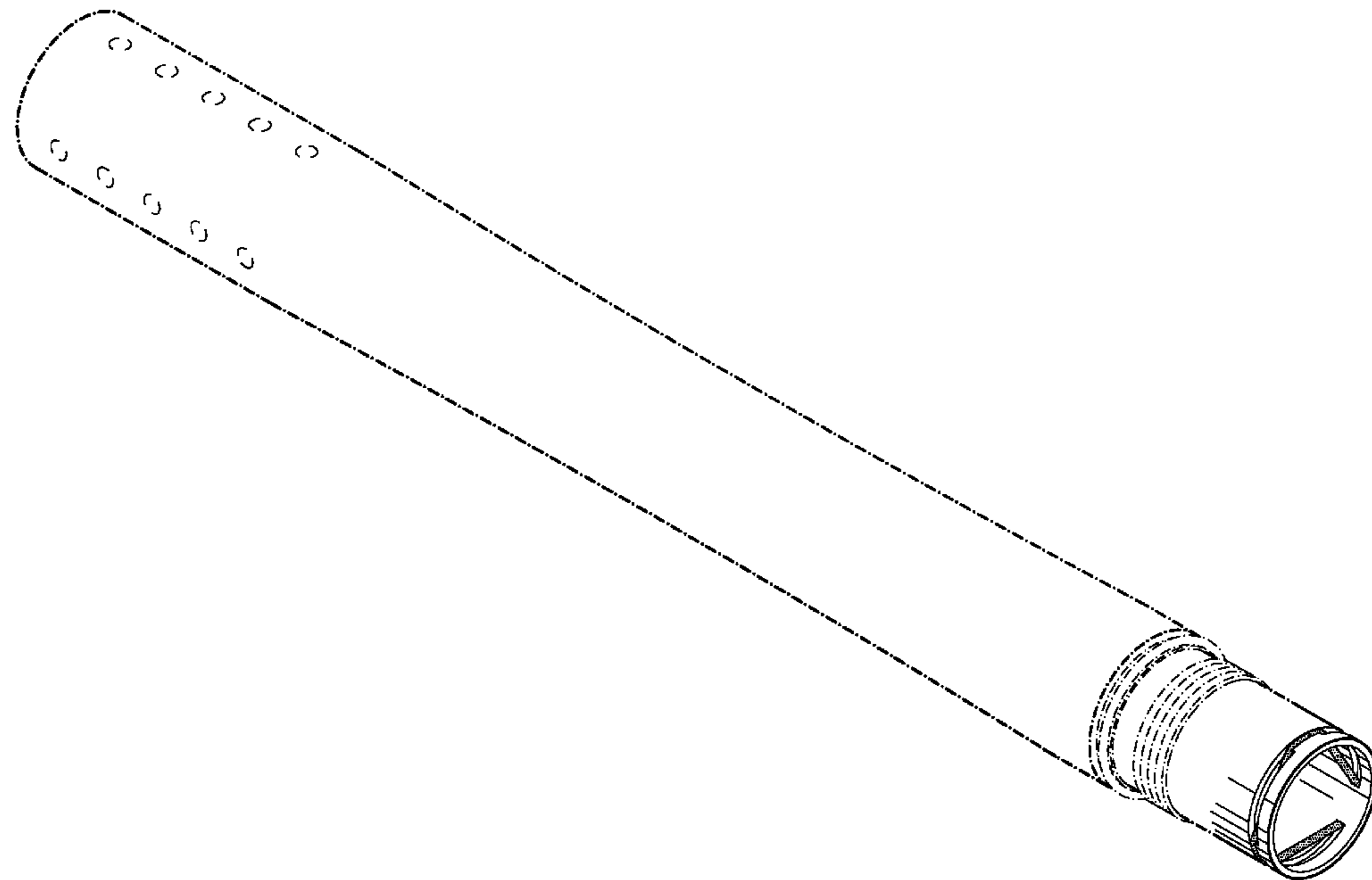
FIG. 5 is a right view thereof;

FIG. 6 is a top plan view thereof; and,

FIG. 7 is a bottom plan view thereof.

The ornamental design which is claimed is shown in solid lines in the drawings. The broken lines shown in the drawings illustrate unclaimed portions of the article and form no part of the claimed design.

1 Claim, 4 Drawing Sheets



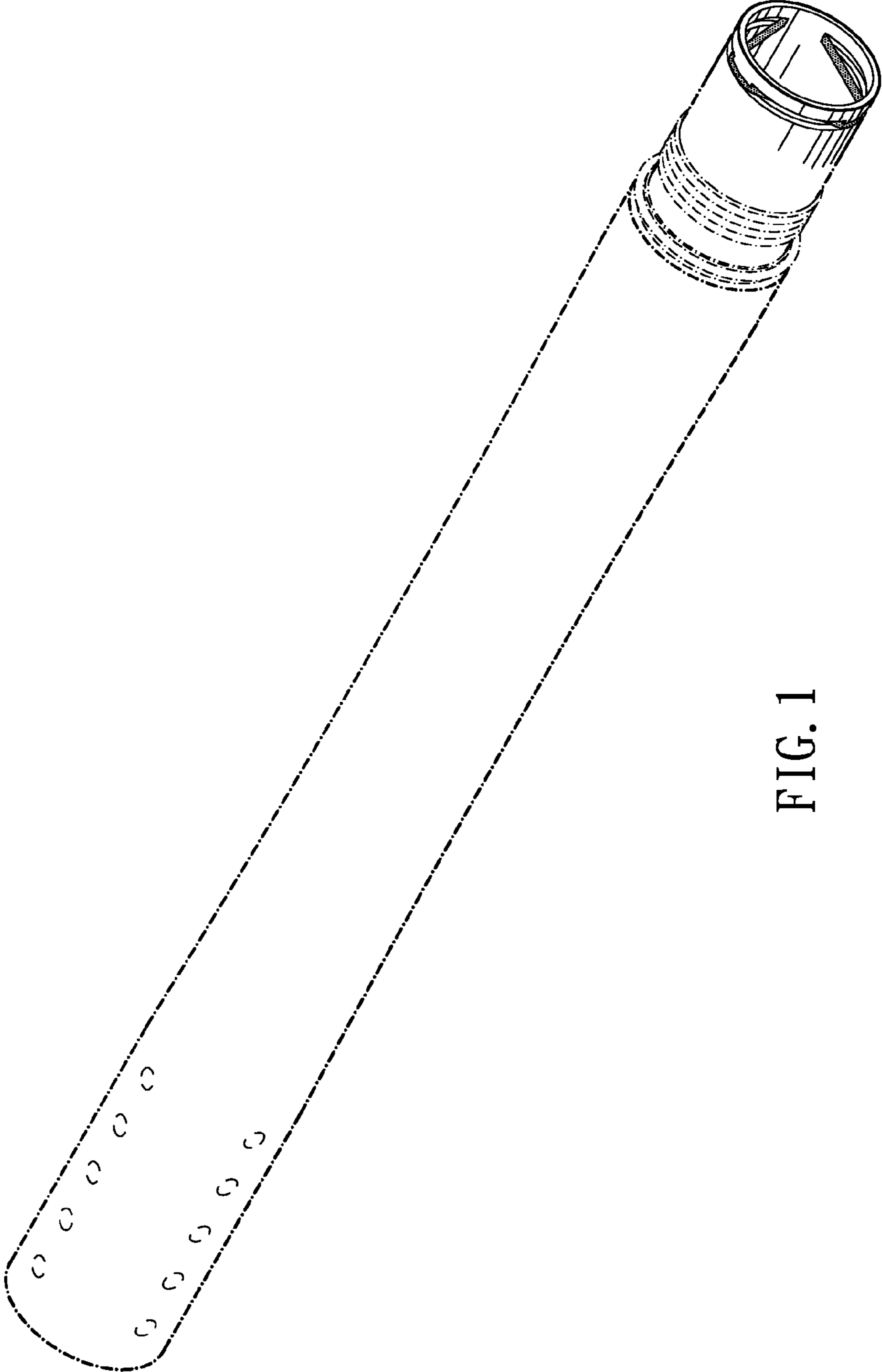


FIG. 1

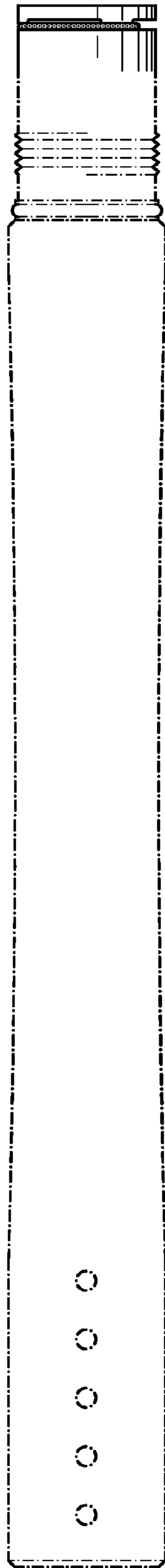


FIG. 2

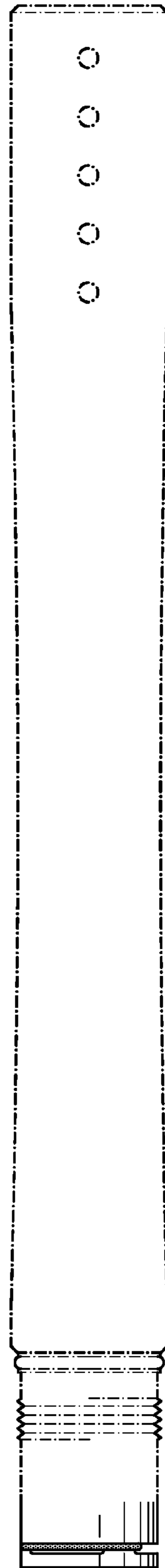


FIG. 3

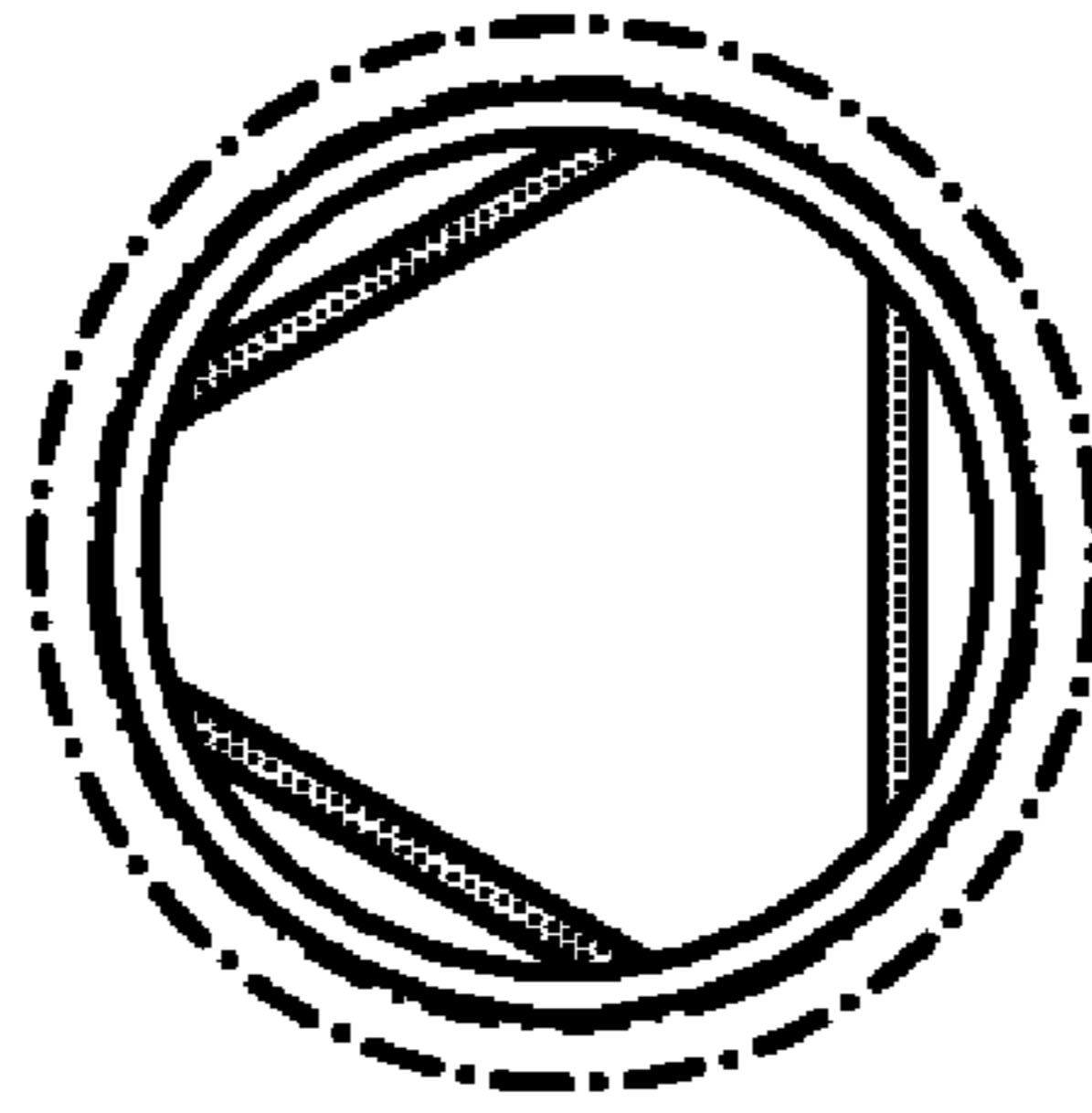


FIG. 5

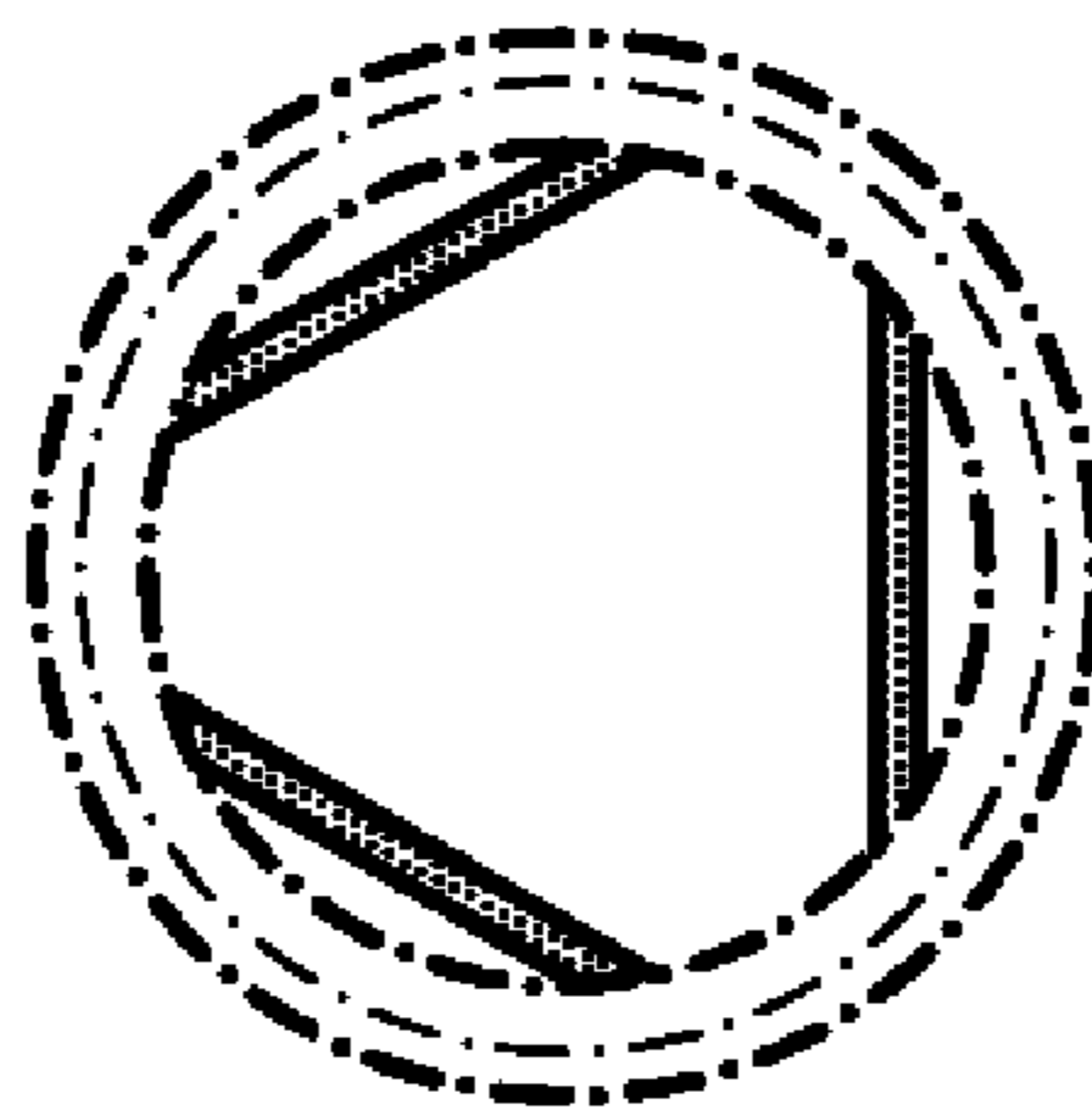


FIG. 4

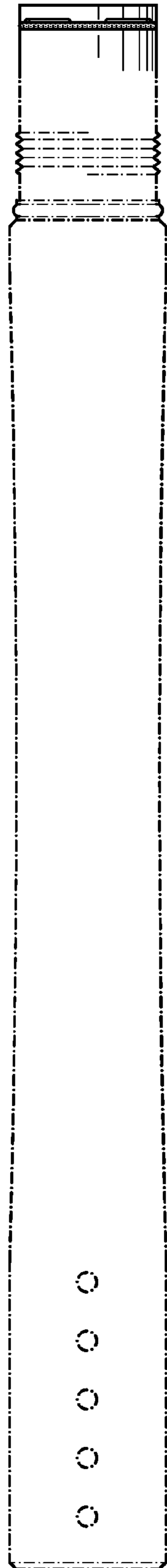


FIG. 6

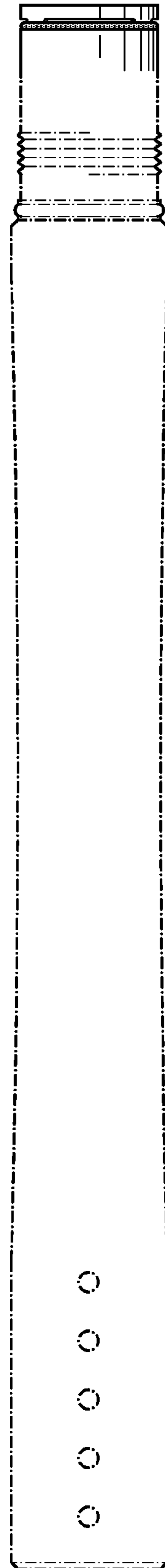


FIG. 7