



US00D605237S

(12) **United States Design Patent**  
**Uemura et al.**

(10) **Patent No.:** **US D605,237 S**  
(45) **Date of Patent:** **\*\* Dec. 1, 2009**

(54) **CONTROLLER**

(75) Inventors: **Chihiro Uemura**, Chiba (JP); **Masahiro Arai**, Chiba (JP); **Yasuyuki Suzuki**, Chiba (JP); **Makoto Migita**, Tokyo (JP); **Yoshitaka Mukai**, Tokyo (JP); **Shota Sawahata**, Tokyo (JP)

(73) Assignee: **Futaba Corporation**, Chiba-ken (JP)

(\*\*) Term: **14 Years**

(21) Appl. No.: **29/317,461**

(22) Filed: **Apr. 30, 2008**

(30) **Foreign Application Priority Data**

Dec. 5, 2007 (JP) ..... 2007-033367

(51) **LOC (9) Cl.** ..... **21-01**

(52) **U.S. Cl.** ..... **D21/566**

(58) **Field of Classification Search** ..... D21/324,  
D21/329, 333, 566; D14/400, 401, 454,  
D14/217, 218, 358, 155; D13/168; 446/454-456;  
463/6, 7, 37, 38, 39, 46, 47  
See application file for complete search history.

(56) **References Cited**

**U.S. PATENT DOCUMENTS**

5,207,426 A \* 5/1993 Inoue et al. .... 463/36  
D354,316 S \* 1/1995 Hiraoka ..... D14/401  
D374,694 S \* 10/1996 Arai ..... D21/566  
5,643,087 A \* 7/1997 Marcus et al. .... 463/38  
6,231,444 B1 \* 5/2001 Goto et al. .... 463/37  
D464,349 S \* 10/2002 Loughnane et al. .... D14/401  
D469,767 S \* 2/2003 Hussaini et al. .... D14/401

D546,904 S \* 7/2007 Bowen et al. .... D21/566  
D568,883 S \* 5/2008 Ashida et al. .... D14/400  
D570,349 S \* 6/2008 Ashida et al. .... D14/400  
D572,254 S \* 7/2008 Goto ..... D14/401

**FOREIGN PATENT DOCUMENTS**

JP 935654 7/1995  
JP 1295421 2/2007

\* cited by examiner

*Primary Examiner*—Holly H Baynham

*Assistant Examiner*—Cynthia M Chin

(74) *Attorney, Agent, or Firm*—Quarles & Brady LLP

(57) **CLAIM**

We claim the ornamental design for a controller, as shown and described.

**DESCRIPTION**

The design of the present application is directed to a controller for remotely controlling an object such as a humanoid robot.

FIG. 1 is a front side perspective view of a controller showing our new design;

FIG. 2 is a rear side perspective view thereof;

FIG. 3 is a front elevational view thereof;

FIG. 4 is a rear elevational view thereof;

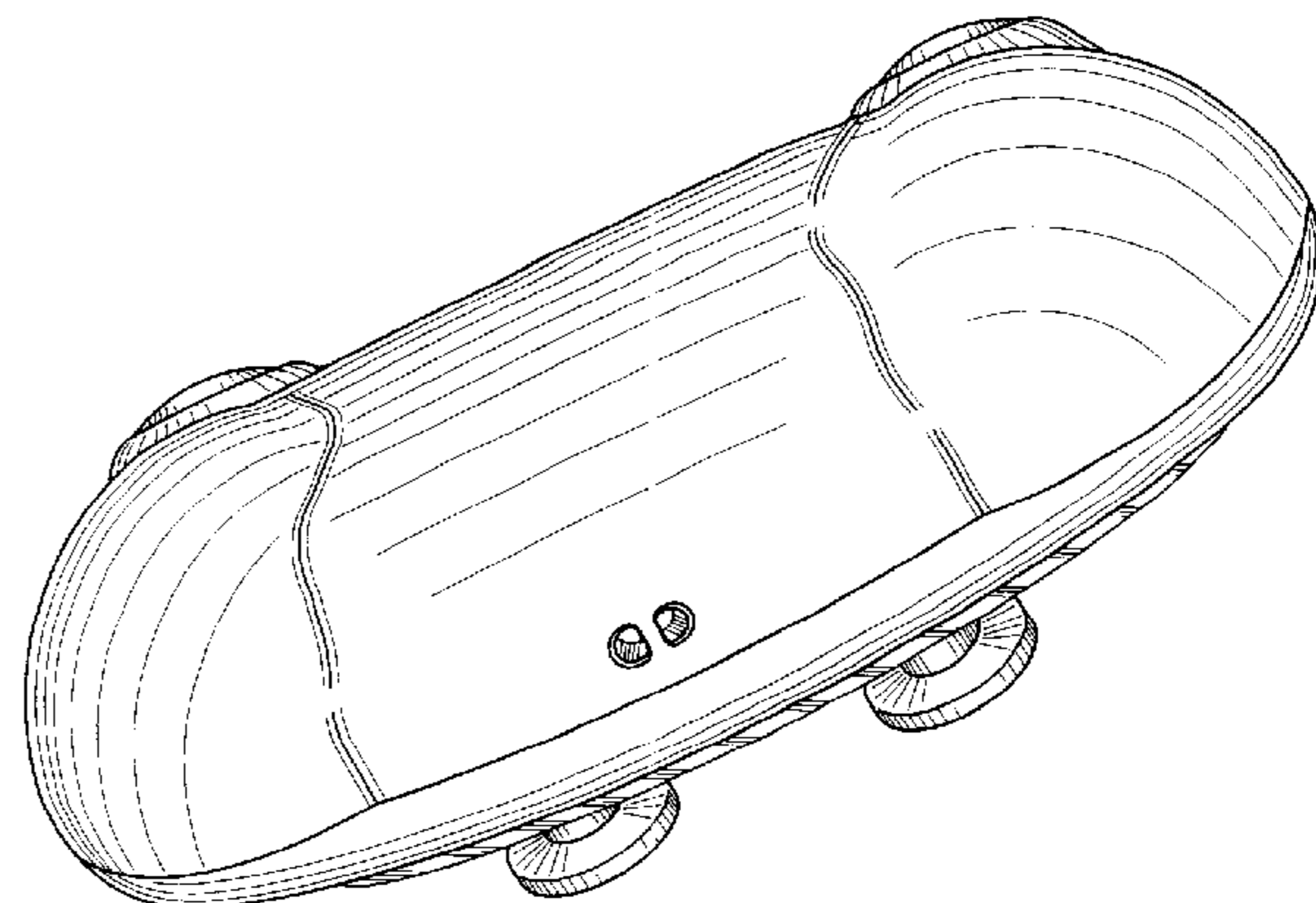
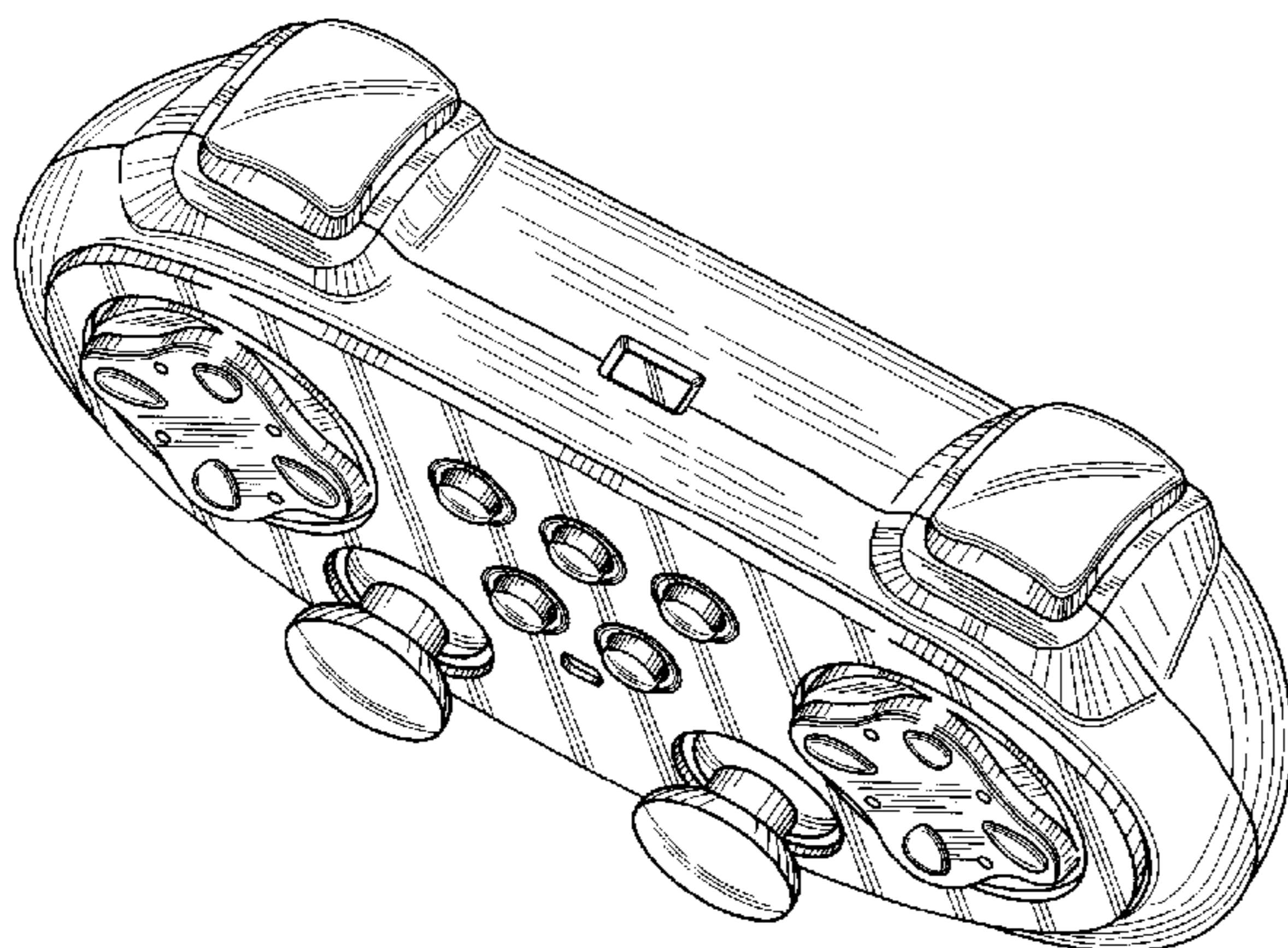
FIG. 5 is a top plan view thereof;

FIG. 6 is a bottom plan view thereof;

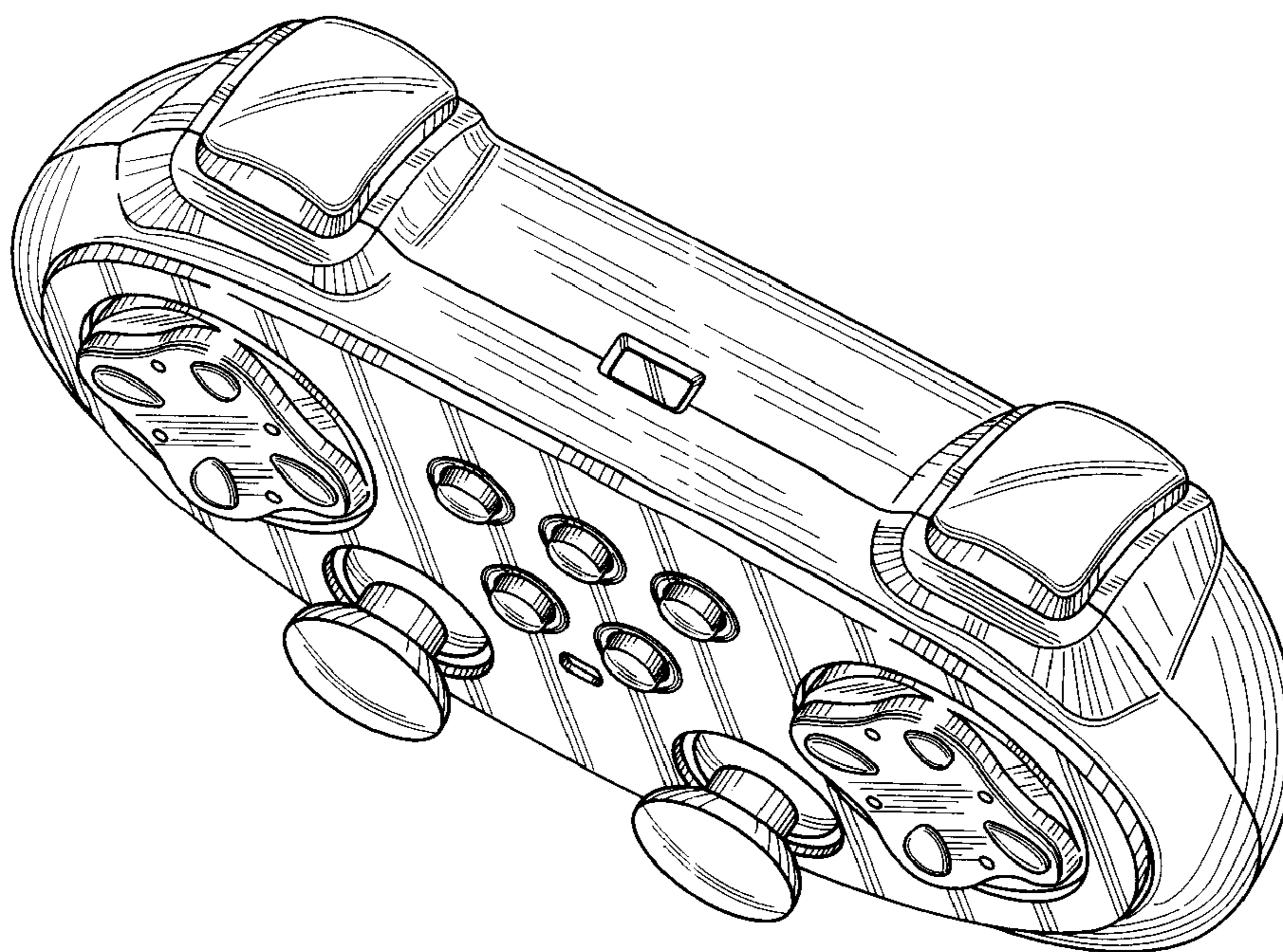
FIG. 7 is a right side elevational view thereof; and,

FIG. 8 is a left side elevational view thereof.

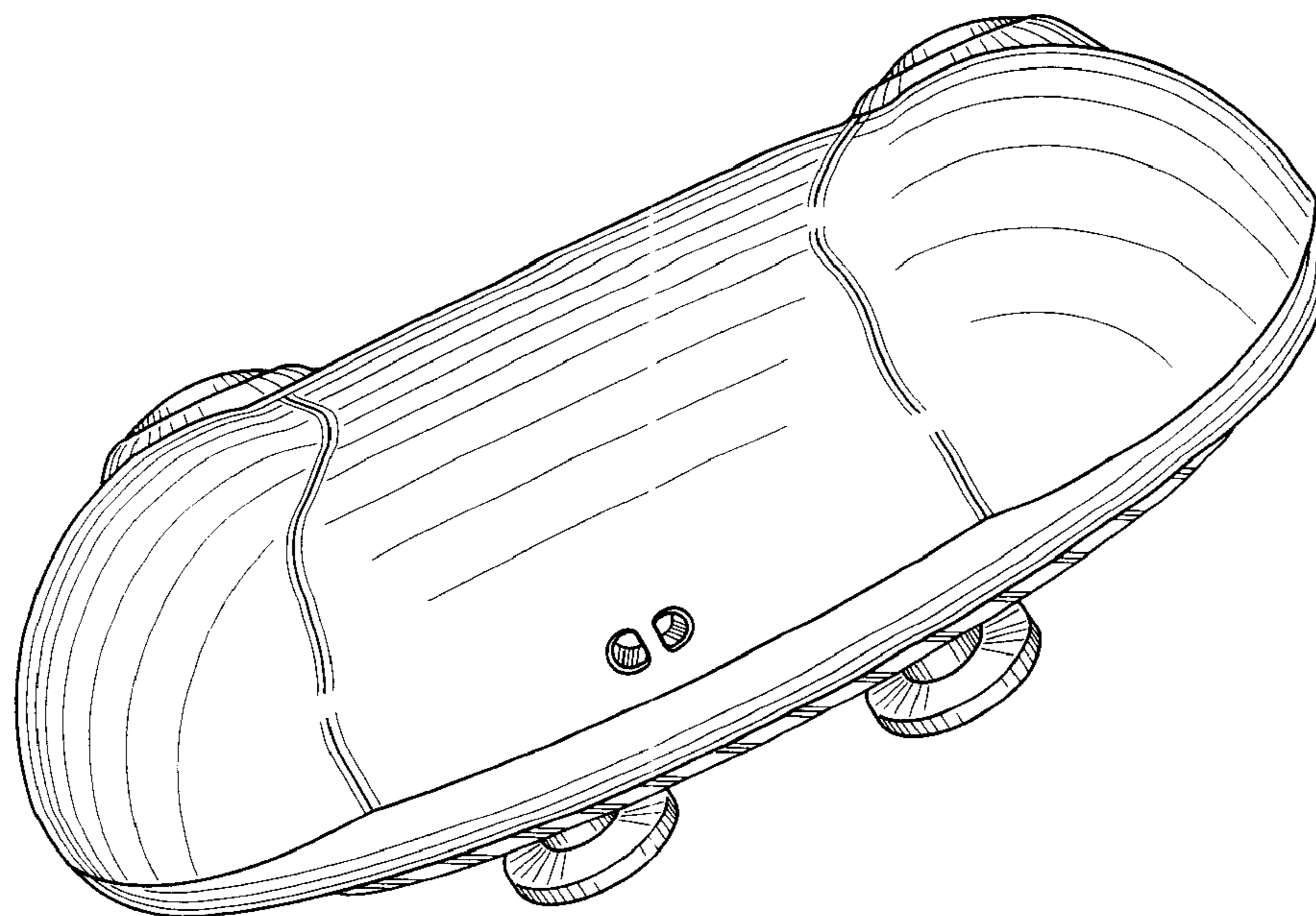
**1 Claim, 4 Drawing Sheets**



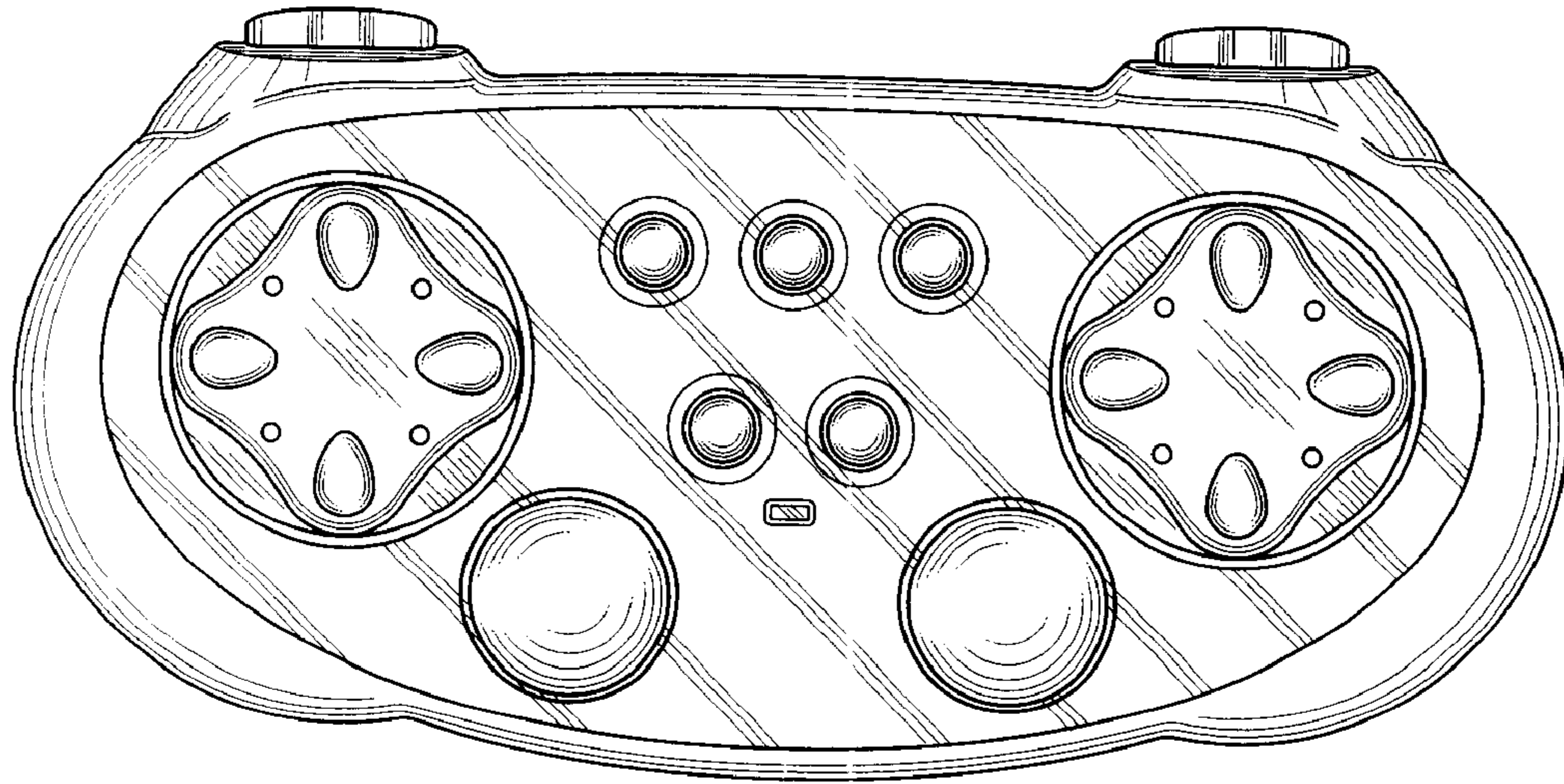
**FIG.1**



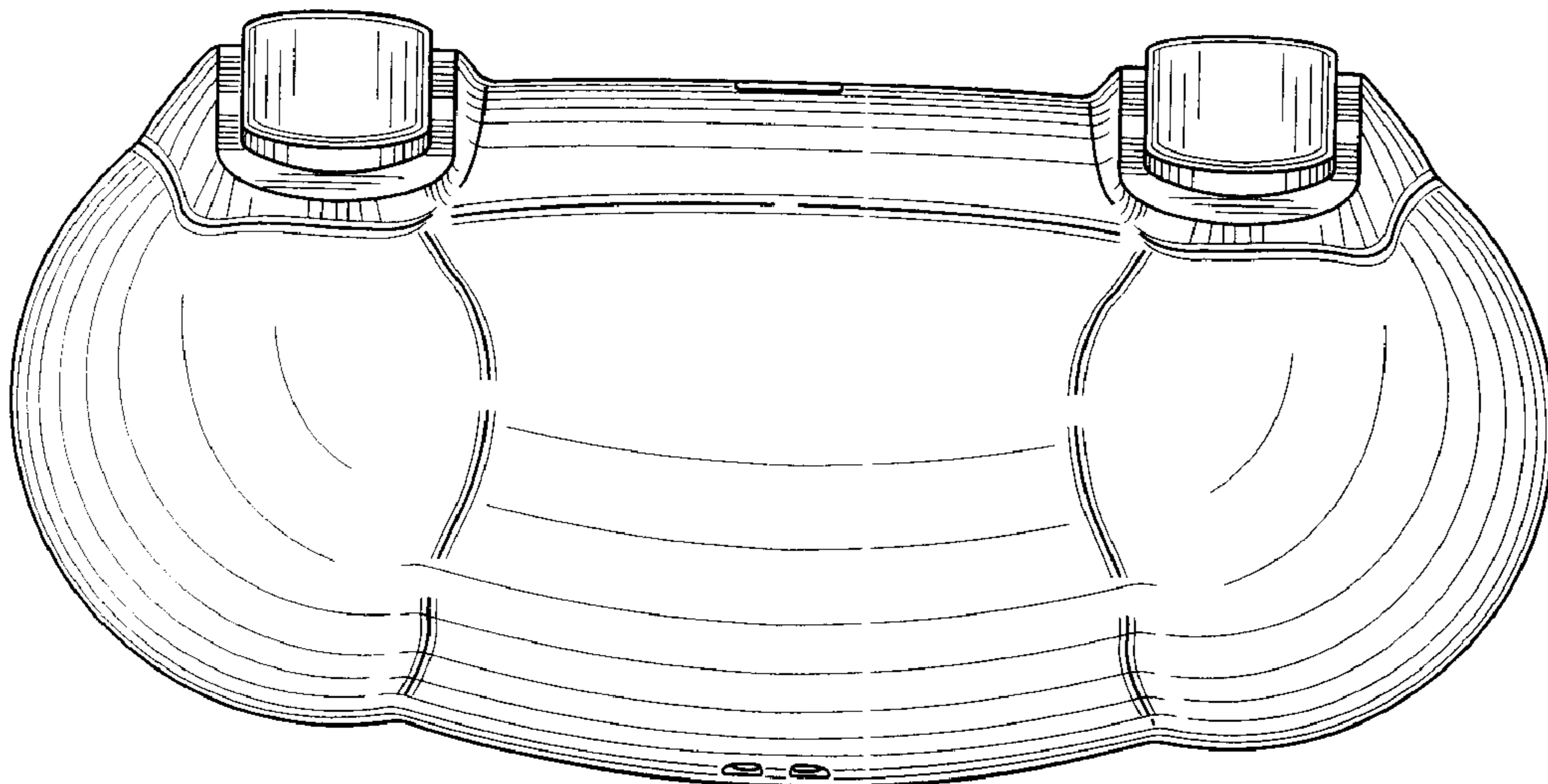
**FIG.2**



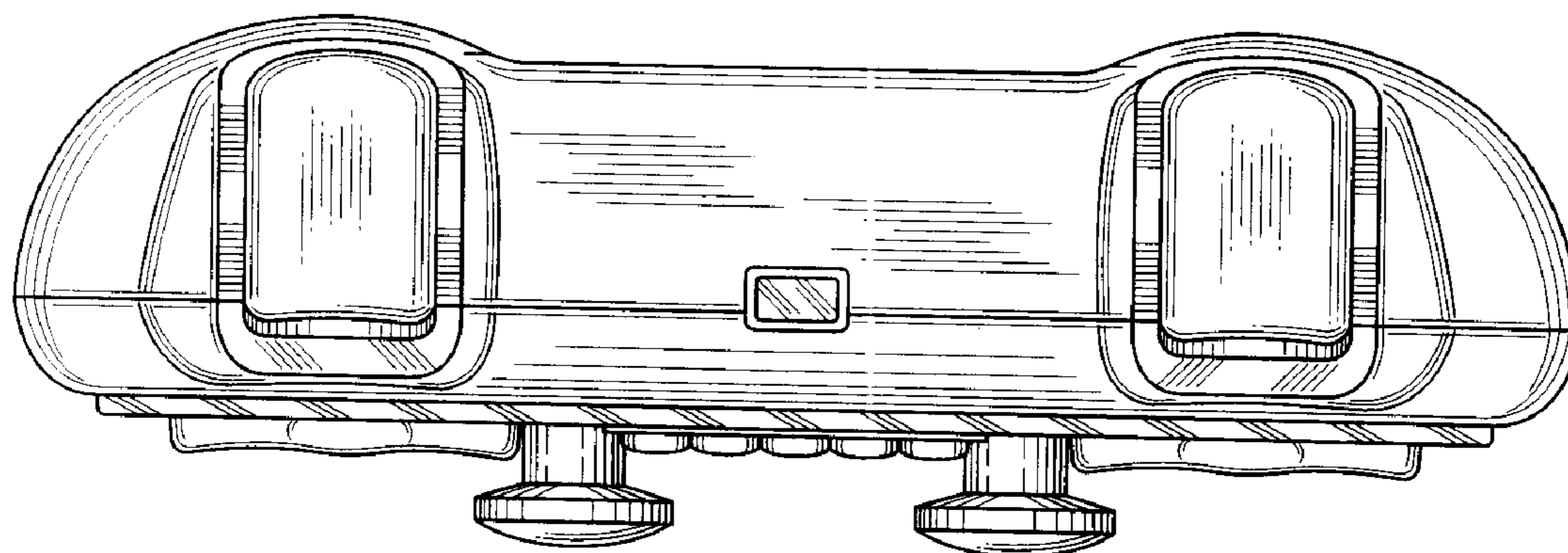
**FIG.3**



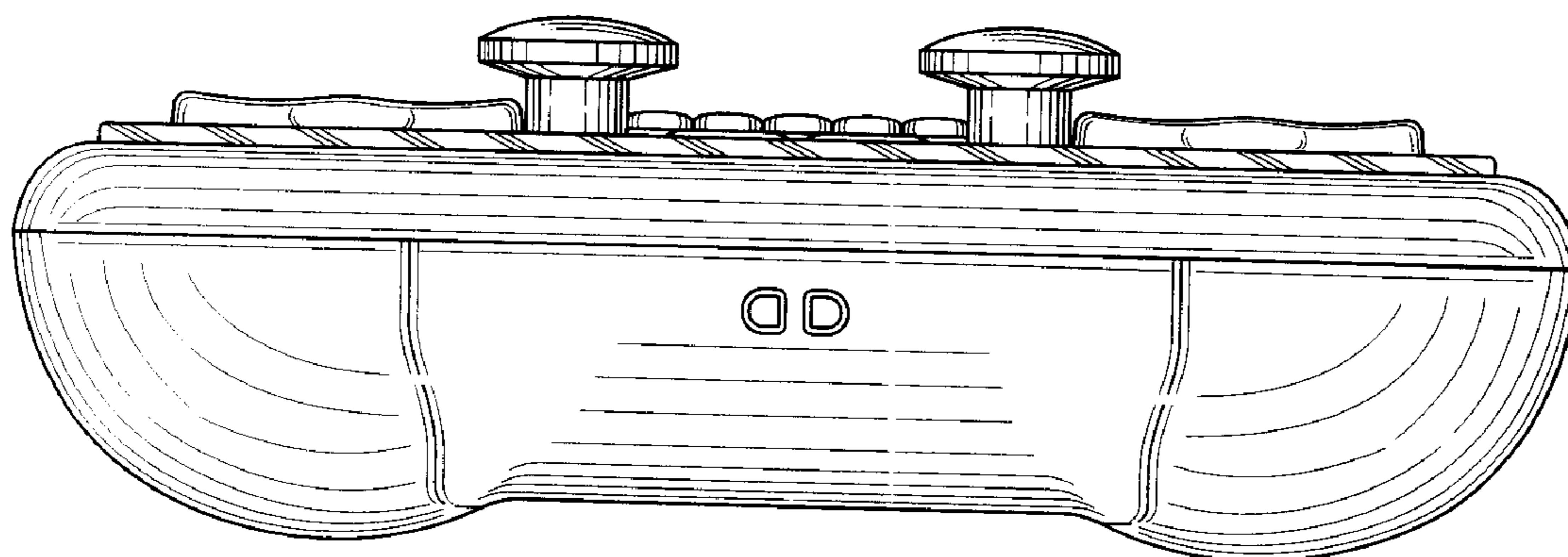
**FIG.4**



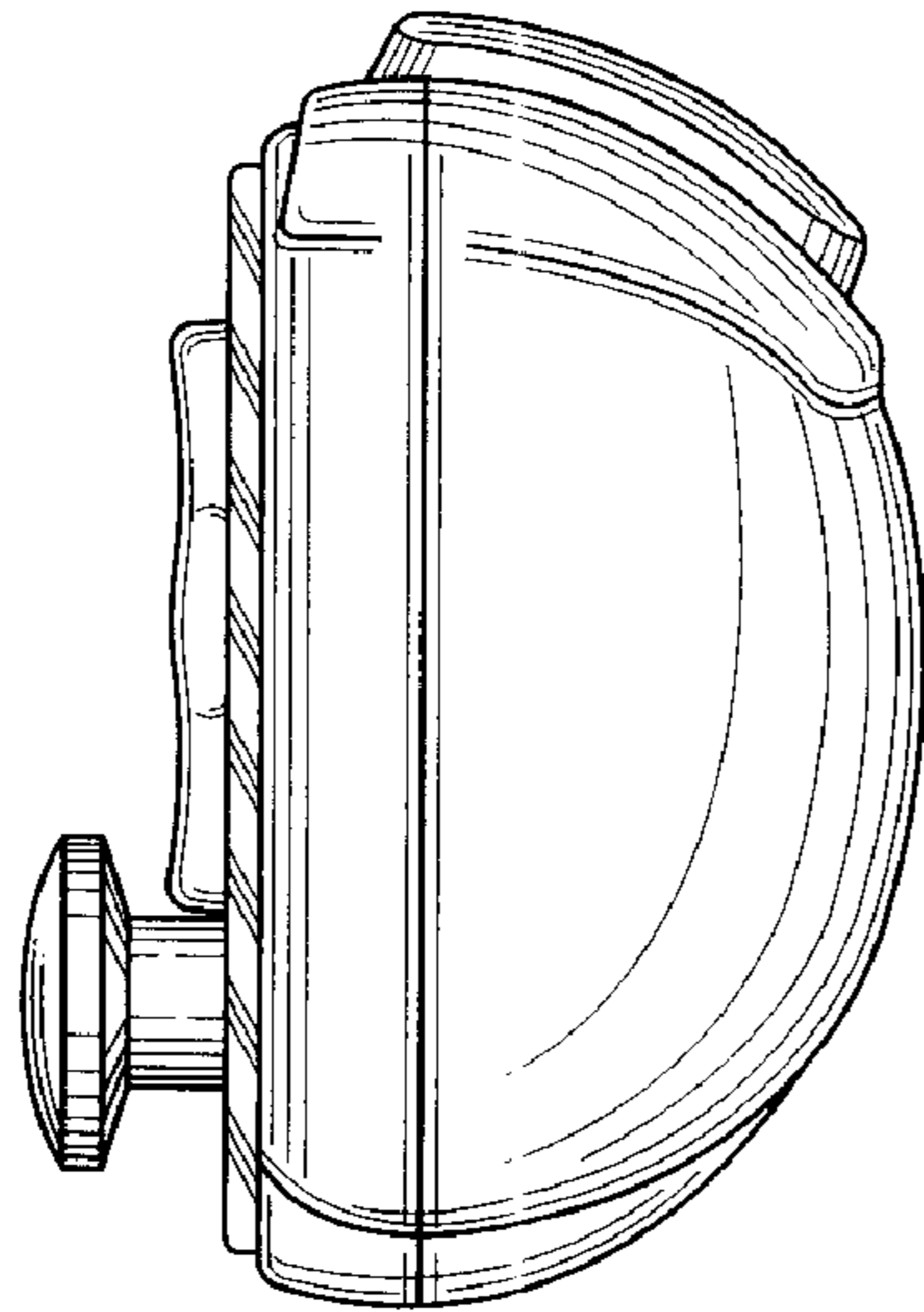
**FIG.5**



**FIG.6**



**FIG.7**



**FIG.8**

