



US00D605233S

(12) **United States Design Patent**
Ashida et al.

(10) **Patent No.:** **US D605,233 S**
(45) **Date of Patent:** **** Dec. 1, 2009**

(54) **PORTIONS OF A SUPPORT BASE OF A STAND FOR AN ELECTRONIC GAME MACHINE**

(75) Inventors: **Kenichiro Ashida**, Kyoto (JP); **Junji Takamoto**, Kyoto (JP); **Noboru Wakitani**, Kyoto (JP); **Masato Ibuki**, Kyoto (JP); **Shinji Yamamoto**, Kyoto (JP); **Fumiyoshi Suetake**, Kyoto (JP); **Akiko Suga**, Kyoto (JP)

(73) Assignee: **Nintendo Co., Ltd.**, Kyoto (JP)

(**) Term: **14 Years**

(21) Appl. No.: **29/309,053**

(22) Filed: **Jun. 16, 2008**

Related U.S. Application Data

(62) Division of application No. 29/270,710, filed on Jan. 3, 2007, now Pat. No. Des. 582,486.

(30) **Foreign Application Priority Data**

Sep. 26, 2006 (JP) 2006-025688
Sep. 26, 2006 (JP) 2006-025689

(51) **LOC (9) Cl.** **21-01**

(52) **U.S. Cl.** **D21/333; D14/434**

(58) **Field of Classification Search** D21/324, D21/328, 333; D14/433, 434, 447, 356; 273/148 B, 148 R; 463/46, 47; 379/454, 379/455; 361/679, 686; 345/156-161
See application file for complete search history.

(56) **References Cited**

U.S. PATENT DOCUMENTS

D300,678 S 4/1989 Barrault
D338,882 S 8/1993 Reiter
D358,144 S 5/1995 Masaaki
D358,364 S 5/1995 Siddoway
D376,585 S 12/1996 Wathen et al.

D442,586 S * 5/2001 Kato et al. D14/363
6,241,247 B1 * 6/2001 Sternberg et al. 273/148 B
6,263,080 B1 * 7/2001 Klammer et al. 379/446
D458,269 S * 6/2002 Goto D14/447
D463,799 S 10/2002 Goto
6,647,248 B1 11/2003 Ortscheid et al.
6,735,309 B1 5/2004 Lemanski et al.
D494,634 S 8/2004 Soga
6,912,125 B2 6/2005 Weng
D521,927 S 5/2006 Franck et al.
D540,328 S 4/2007 Hussaini et al.
D558,209 S 12/2007 Ikeda et al.

* cited by examiner

Primary Examiner—Prabhakar Deshmukh

(74) *Attorney, Agent, or Firm*—Nixon & Vanderhye, P.C.

(57) **CLAIM**

The ornamental design for portions of a support base of a stand for an electronic game machine, as shown and described.

DESCRIPTION

FIG. 1 is a front, top and right perspective view of portions of a support base of a stand for an electronic game machine showing our new design;

FIG. 2 is a rear, bottom and left perspective view thereof;

FIG. 3 is a top plan view thereof;

FIG. 4 is a bottom plan view thereof;

FIG. 5 is a front view thereof;

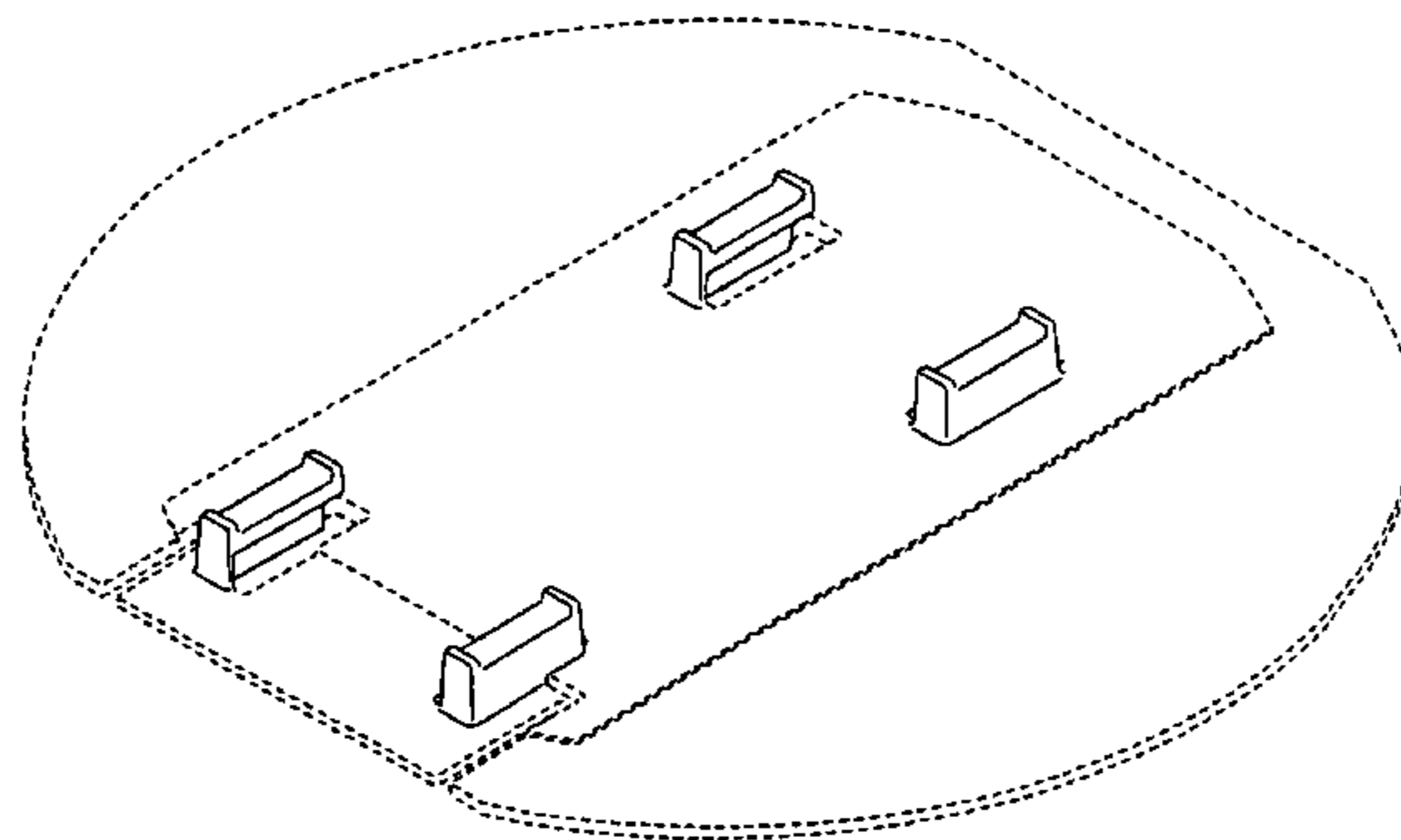
FIG. 6 is a rear view thereof;

FIG. 7 is a right side view thereof, a left side view being a mirror image thereof; and,

FIG. 8 is a reference perspective view showing a state where the stand for the electronic game machine is attached onto the support base, as viewed from the rear, bottom and left sides.

The broken lines showing the stand, base and electronic game machine are for illustrative purpose only and form no part of the claimed design.

1 Claim, 4 Drawing Sheets



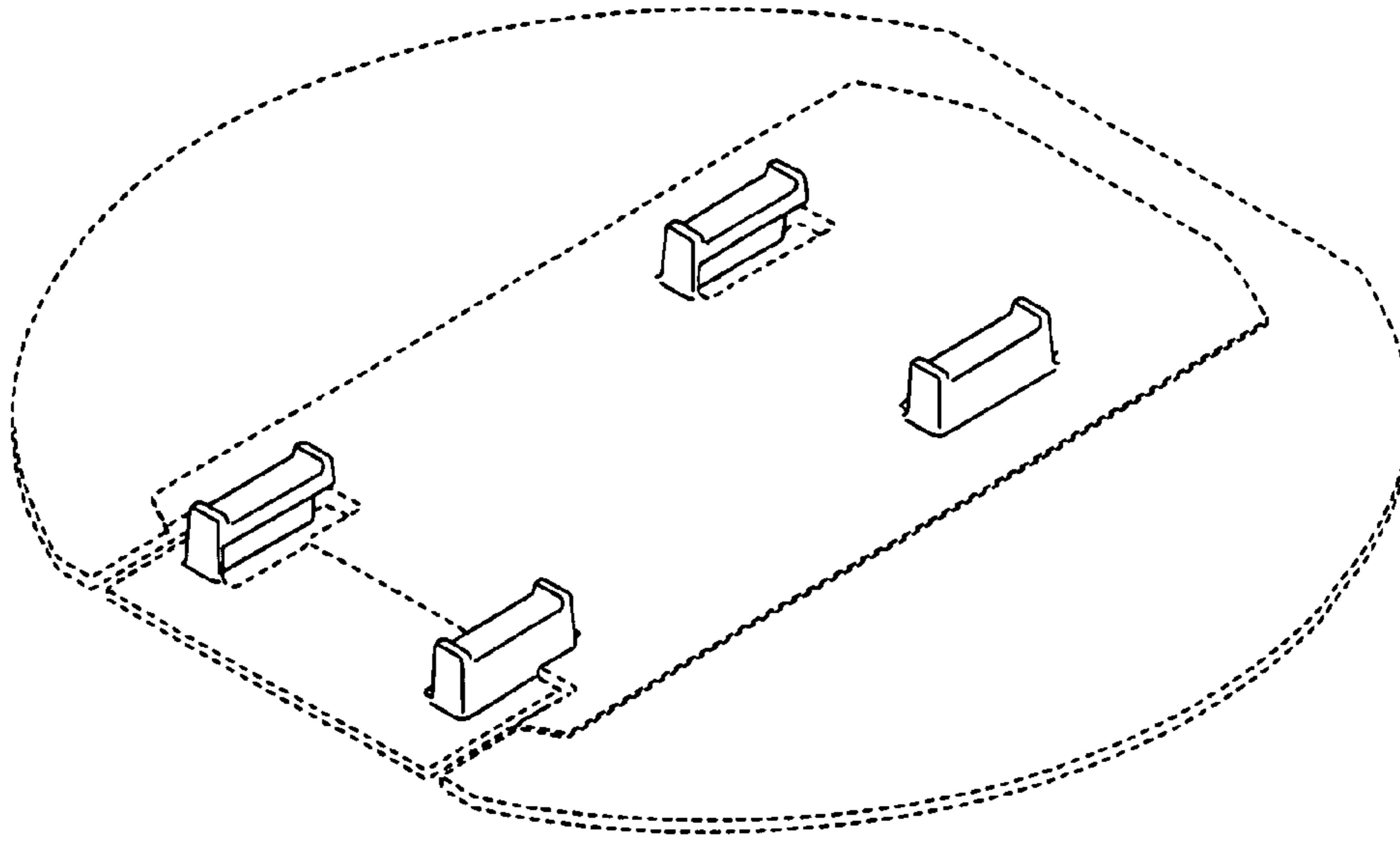


FIG. 1

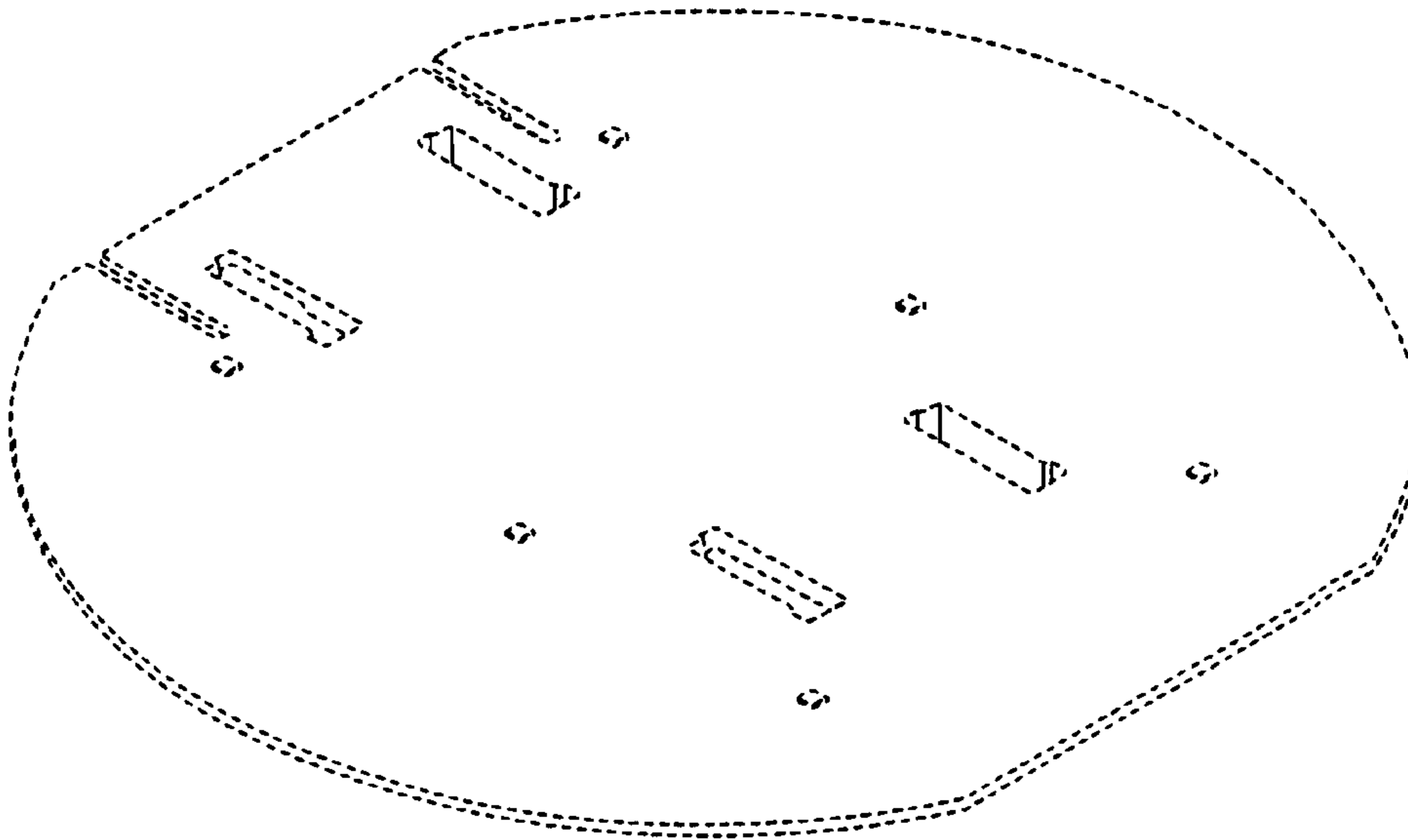


FIG. 2

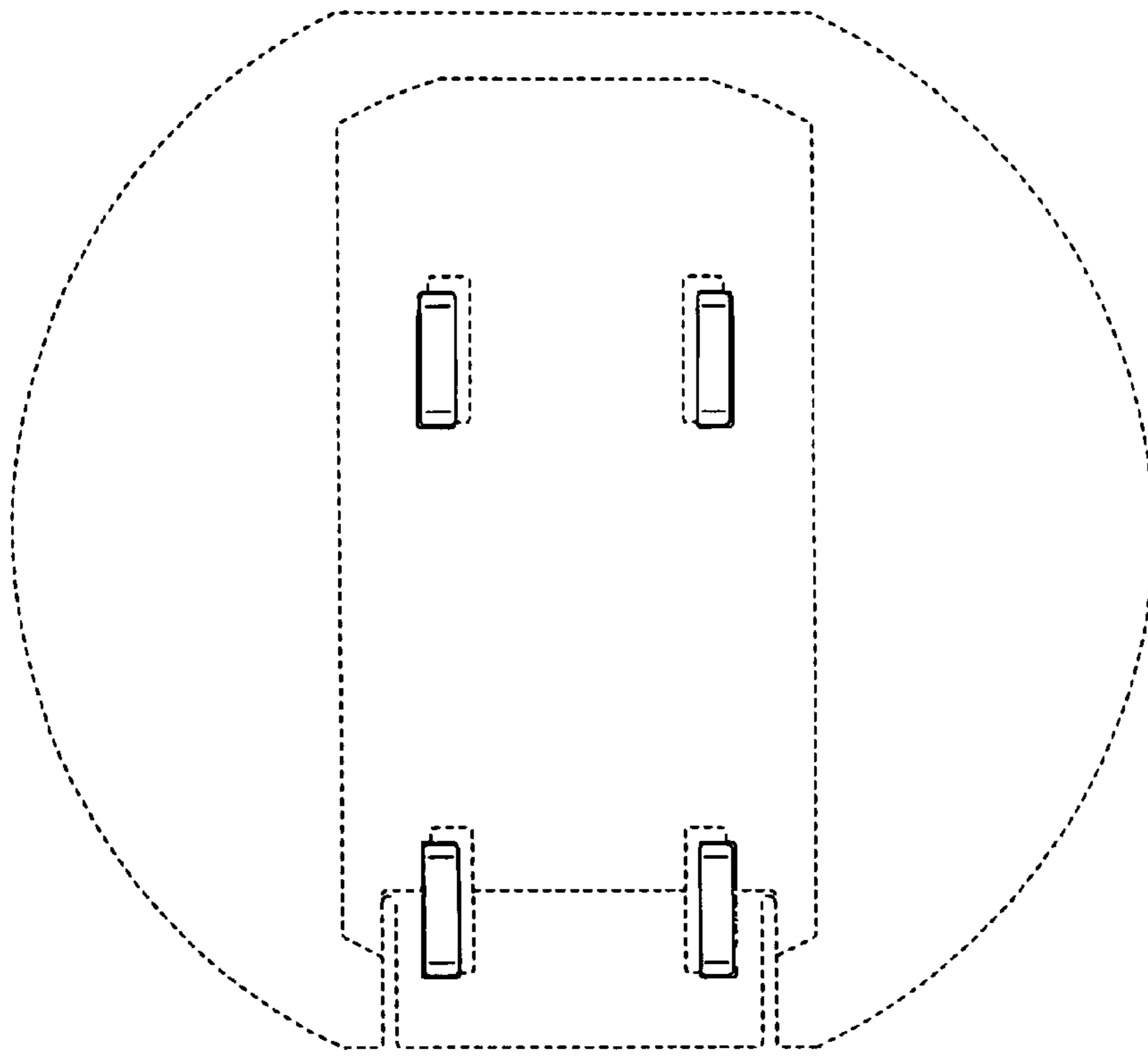


FIG. 3

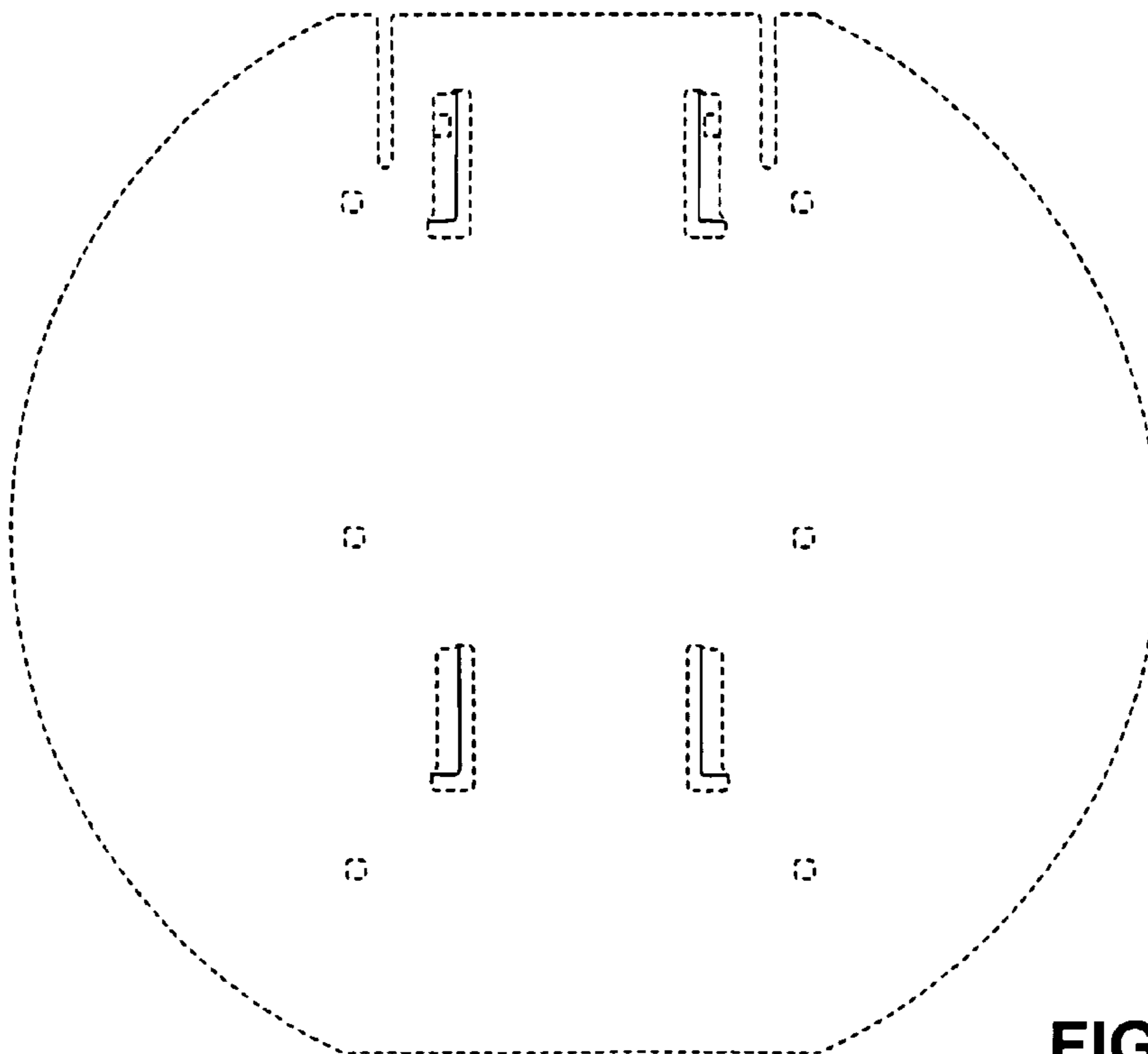


FIG. 4

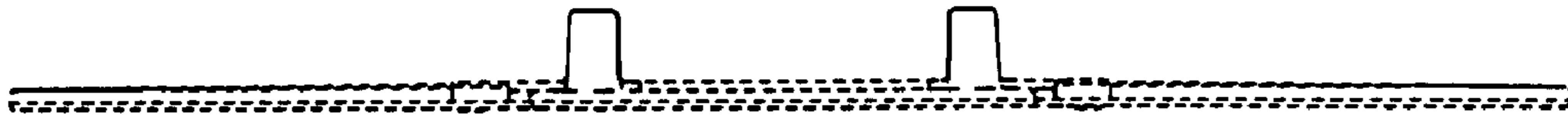


FIG. 5



FIG. 6



FIG. 7

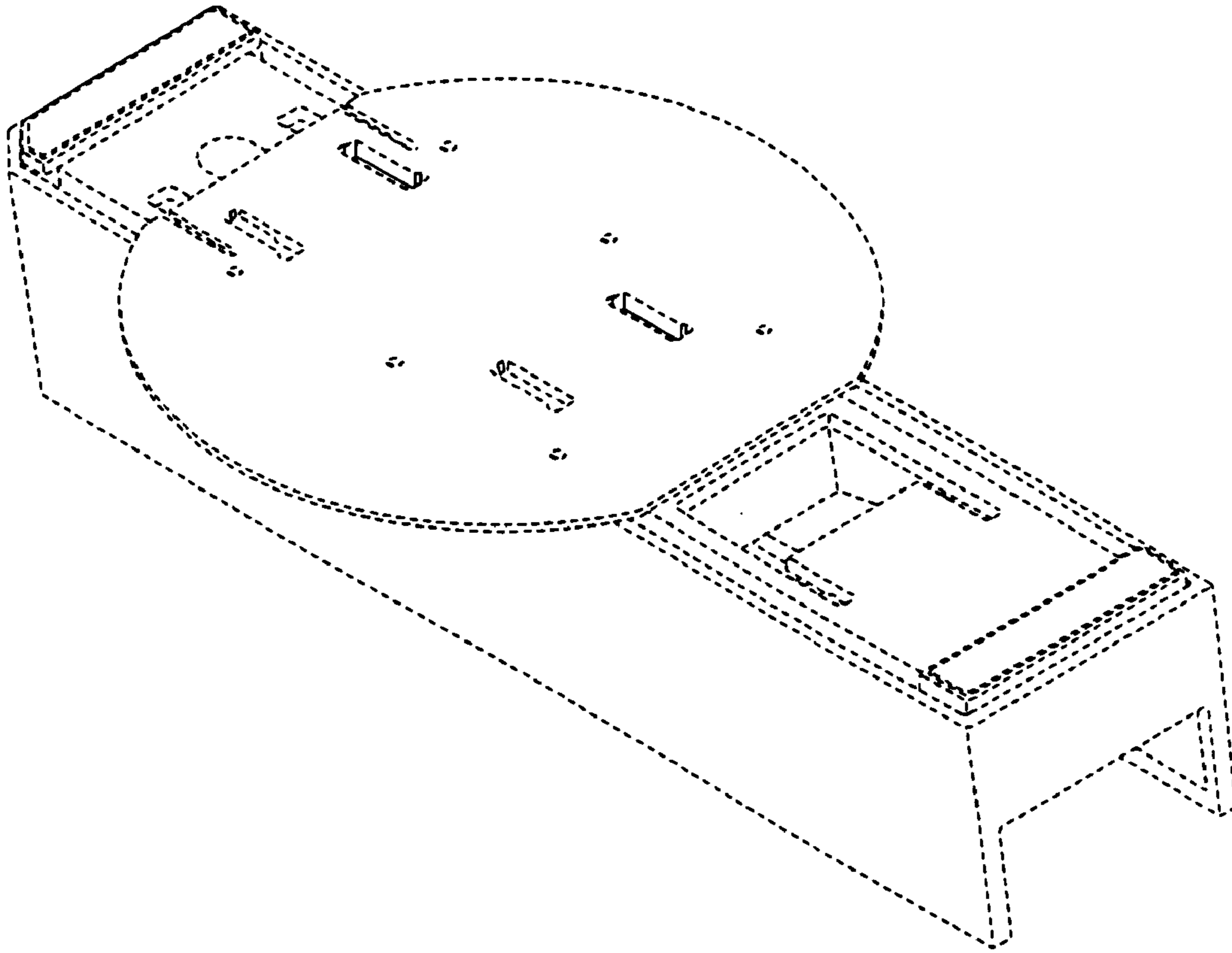


FIG. 8