



US00D605232S

(12) **United States Design Patent**  
**Nagamatsu**

(10) **Patent No.:** **US D605,232 S**

(45) **Date of Patent:** **\*\* Dec. 1, 2009**

(54) **GAME DEVICE**

(75) Inventor: **Tadashi Nagamatsu**, Elk Grove Village, IL (US)

(73) Assignee: **Kabushiki Kaisha Sega**, Tokyo (JP)

(\*\*) Term: **14 Years**

(21) Appl. No.: **29/333,495**

(22) Filed: **Mar. 10, 2009**

(51) **LOC (9) Cl.** ..... **21-01**

(52) **U.S. Cl.** ..... **D21/325**

(58) **Field of Classification Search** ..... D21/324,  
D21/325, 326, 329, 333, 369–371, 385; 273/148 B,  
273/138.1, 138.2, 139; 463/16–22, 29–35,  
463/46, 47; 345/903, 905

See application file for complete search history.

(56) **References Cited**

U.S. PATENT DOCUMENTS

4,850,591	A *	7/1989	Takezawa et al.	.....	463/37
D399,881	S *	10/1998	Muraki et al.	.....	D21/325
D421,774	S *	3/2000	Toriyama	.....	D21/325
D435,068	S *	12/2000	Muraki et al.	.....	D21/325
6,461,239	B1 *	10/2002	Sagawa et al.	.....	463/7
D471,935	S *	3/2003	Mariani	.....	D21/324

6,648,067	B1 *	11/2003	Maute	.....	165/166
D541,875	S *	5/2007	Wada	.....	D21/326
D546,893	S *	7/2007	Yamashita	.....	D21/325

\* cited by examiner

*Primary Examiner*—Prabhakar Deshmukh

(74) *Attorney, Agent, or Firm*—Dickstein Shapiro LLP

(57) **CLAIM**

The ornamental design for the game device, as shown and described.

**DESCRIPTION**

FIG. 1 is a front, top and right side perspective view of my new design for a game device;

FIG. 2 is a front elevational view of the game device of FIG. 1;

FIG. 3 is a rear elevational view of the game device of FIG. 1;

FIG. 4 is a left side elevational view of the game device of FIG. 1;

FIG. 5 is a right side elevational view of the game device of FIG. 1;

FIG. 6 is a top plan view of the game device of FIG. 1; and,

FIG. 7 is a bottom plan view of the game device of FIG. 1.

**1 Claim, 7 Drawing Sheets**

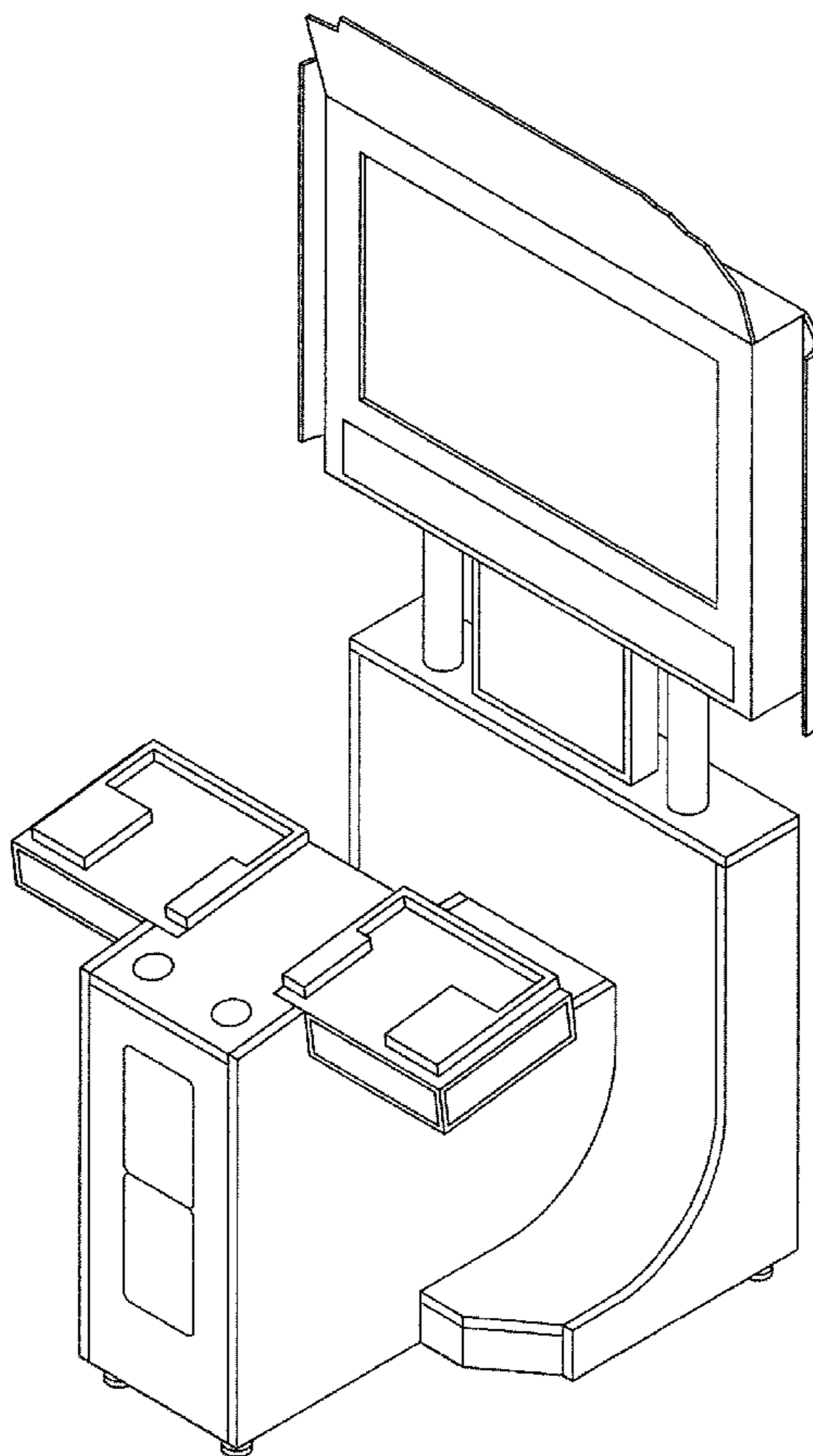


FIG. 1

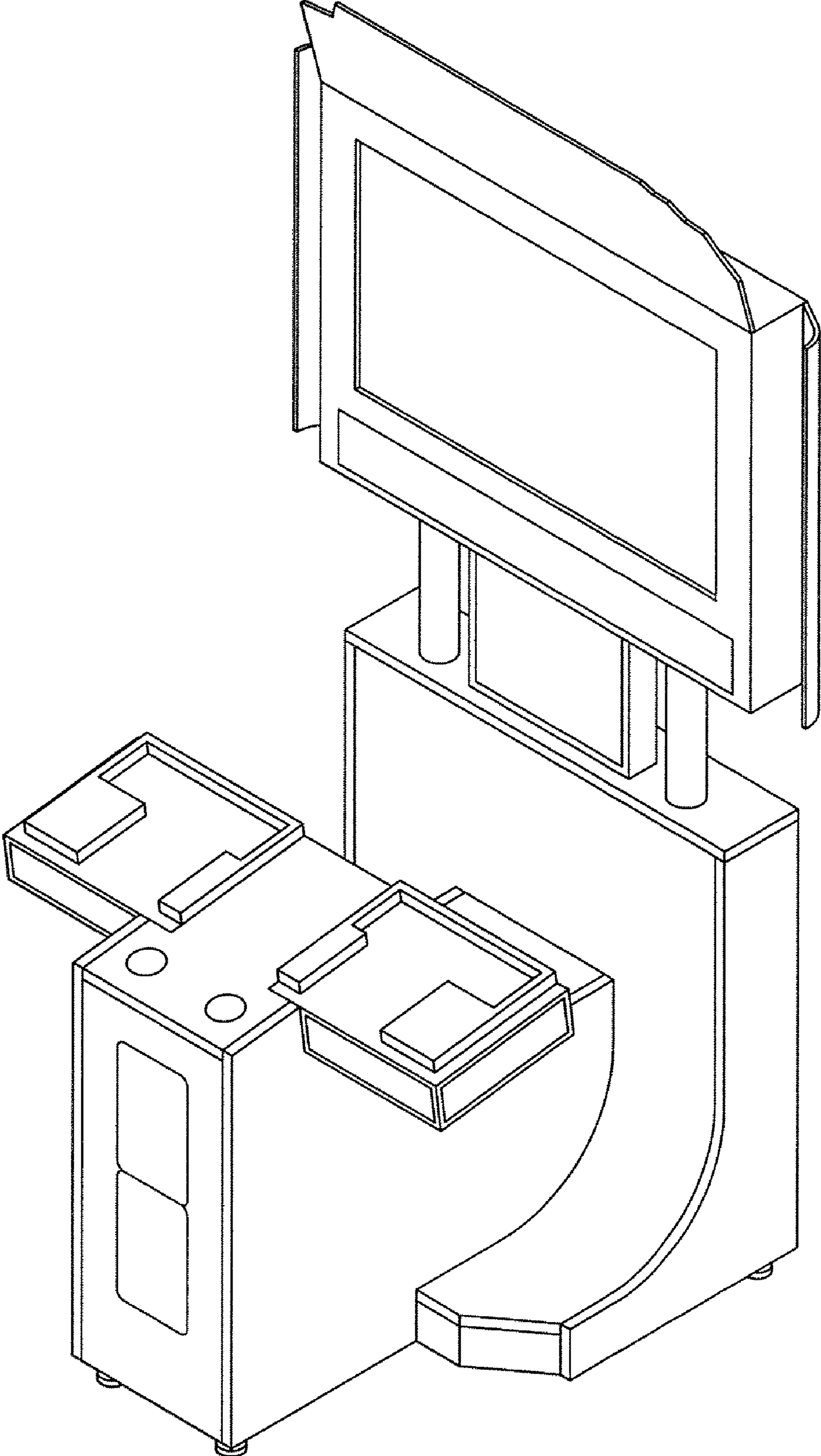


FIG.2

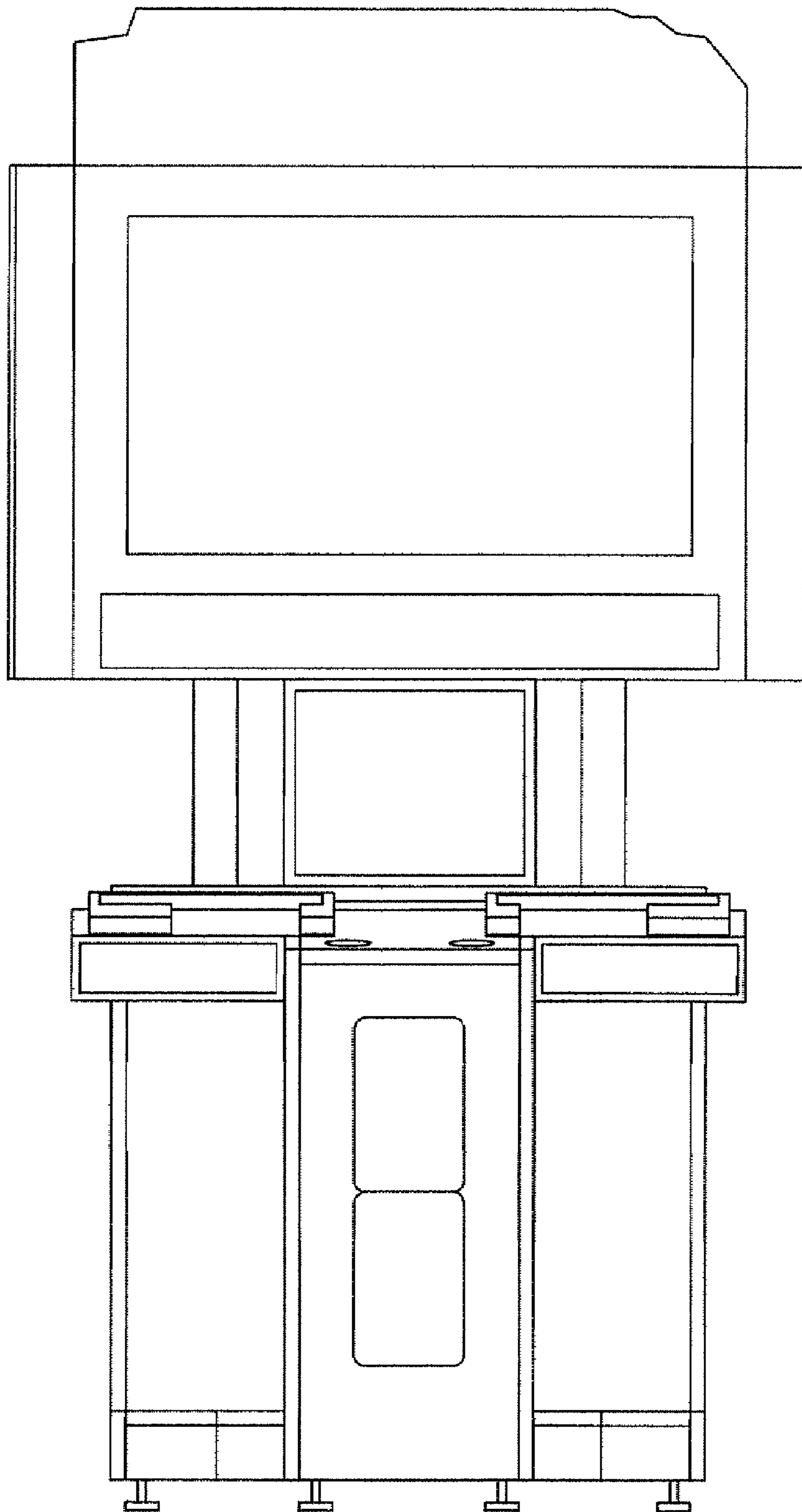


FIG.3

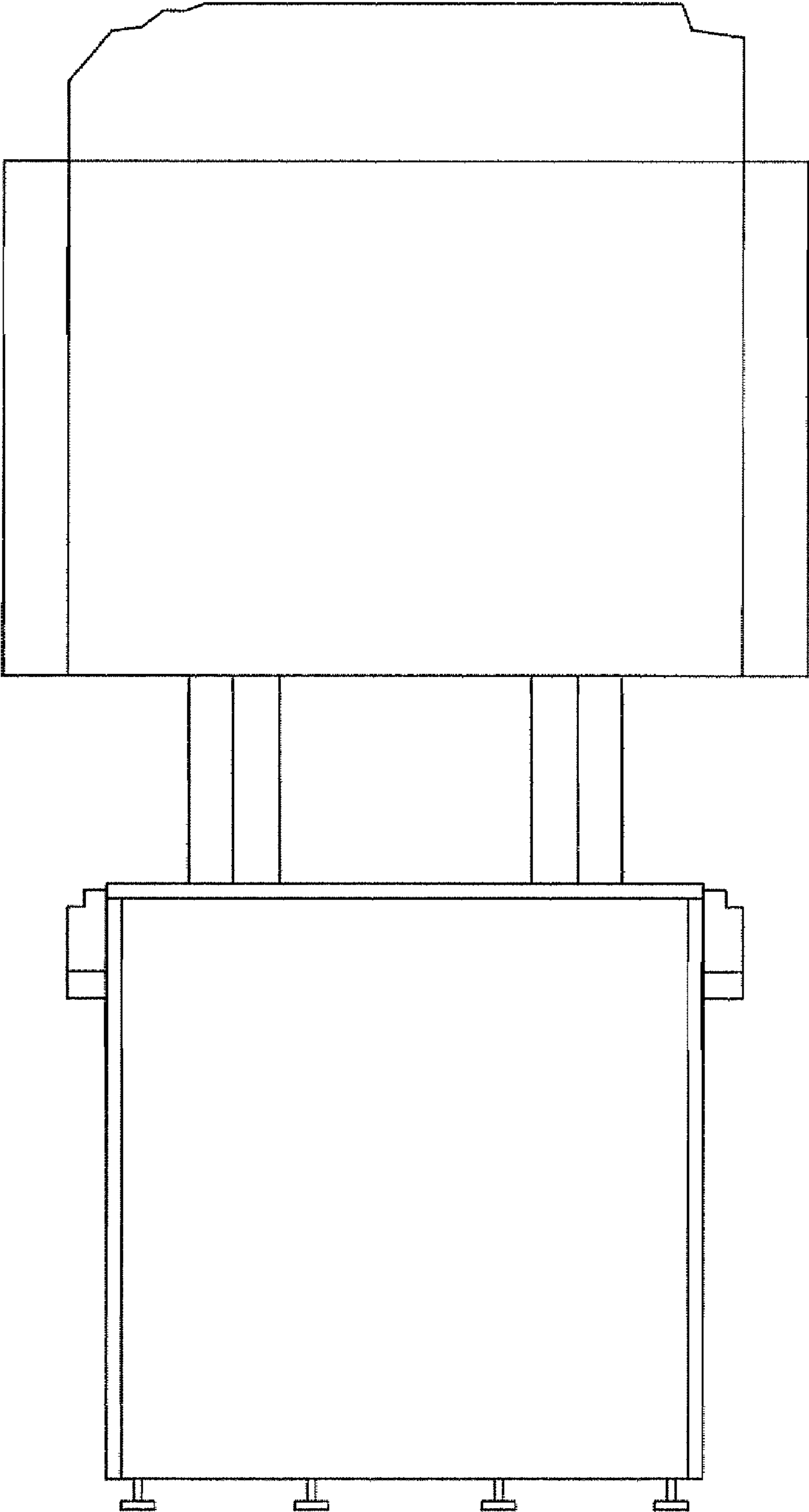


FIG.4

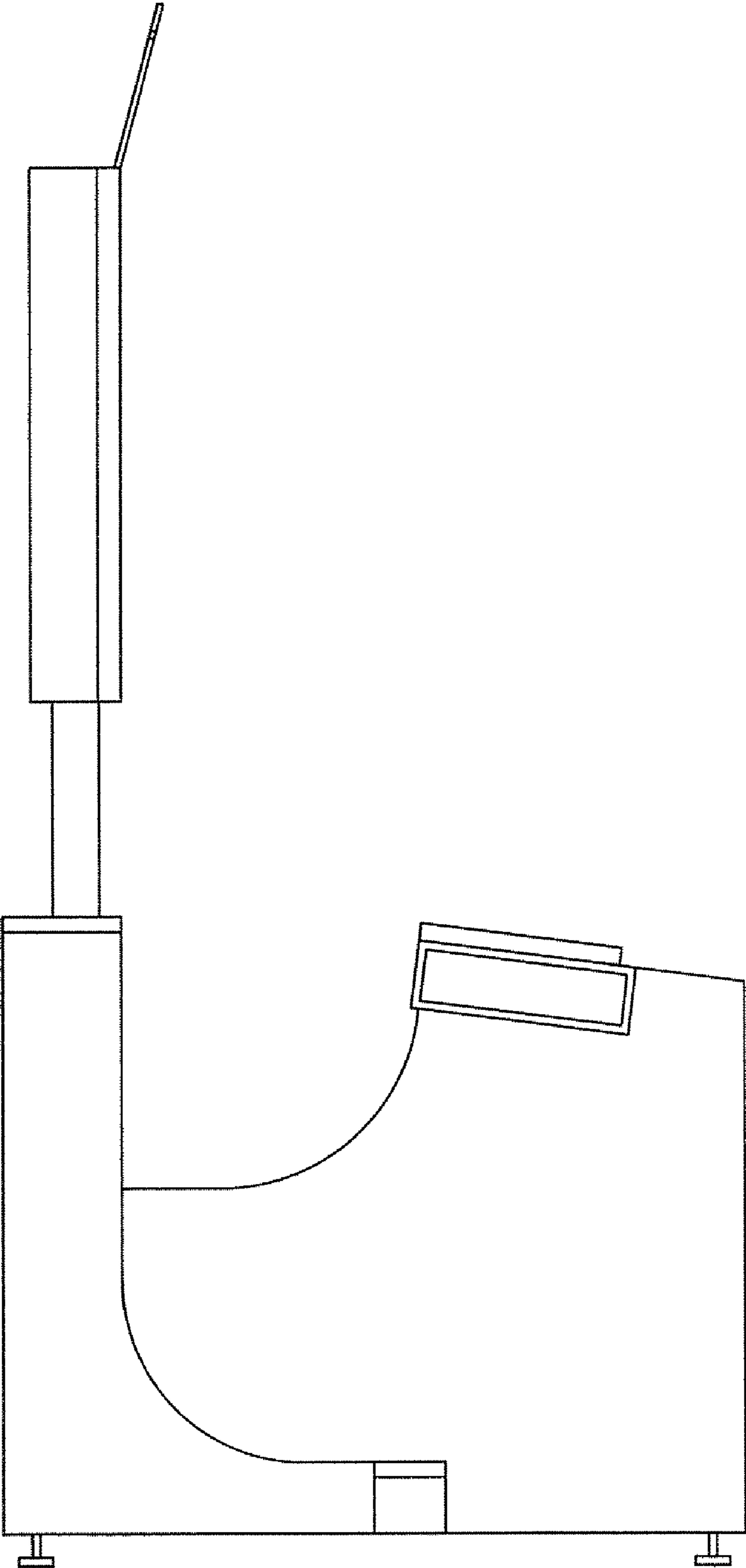


FIG.5

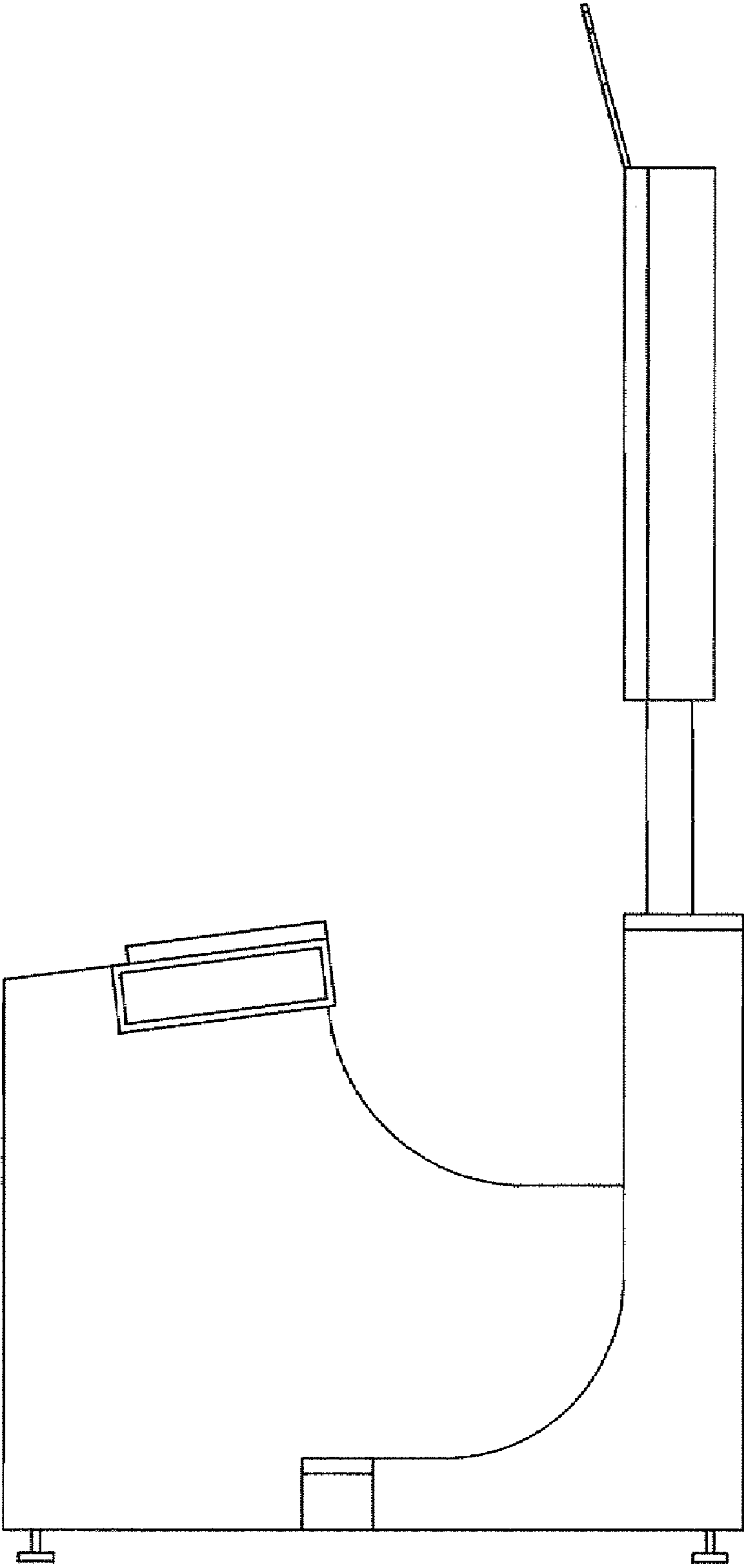




FIG.6

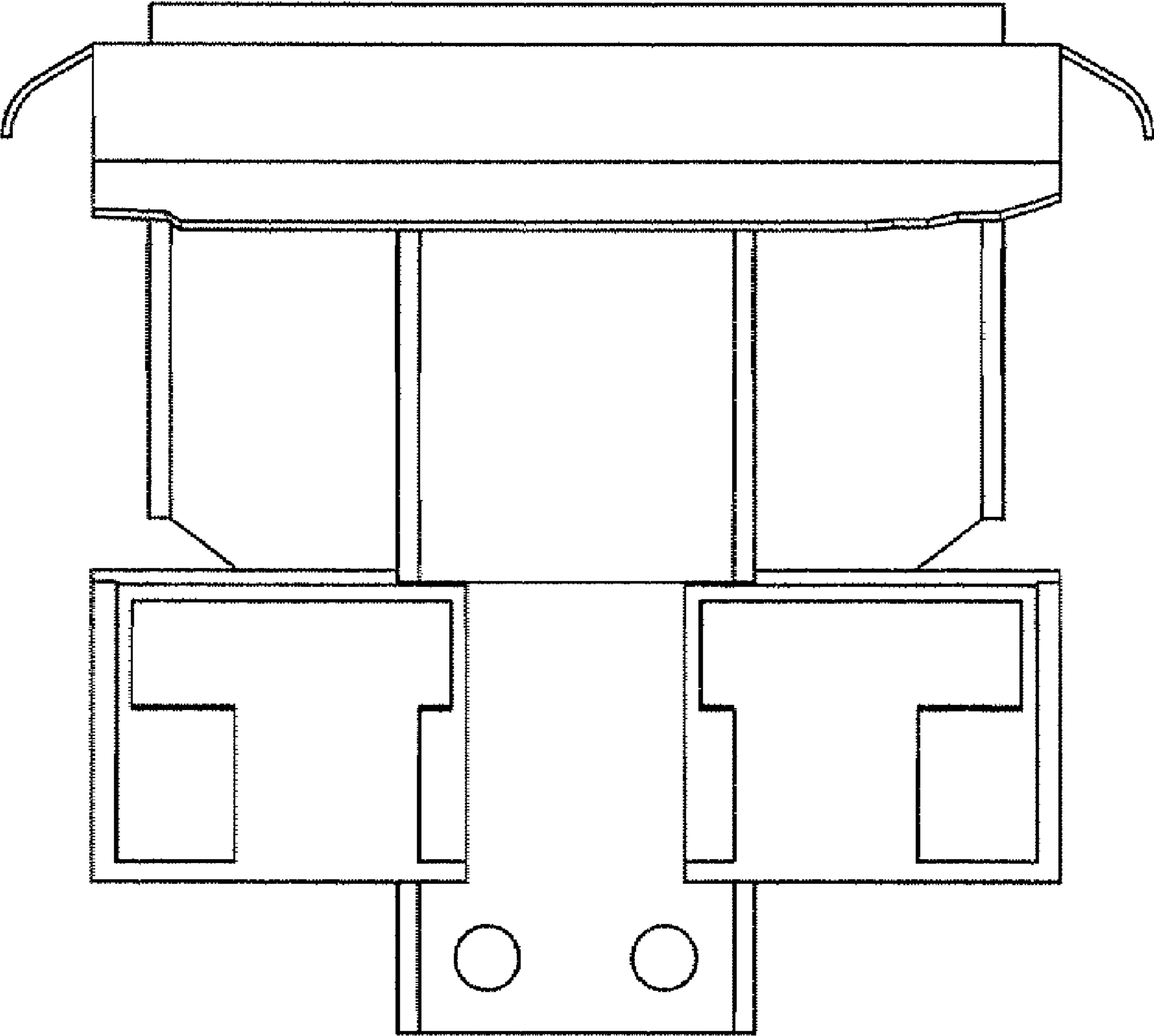


FIG. 7

