



US00D605231S

(12) **United States Design Patent**  
**Hashimoto et al.**

(10) **Patent No.:** **US D605,231 S**  
(45) **Date of Patent:** **\*\* Dec. 1, 2009**

(54) **GAME MACHINE**

D559,917 S \* 1/2008 Cole ..... D21/369  
D587,319 S \* 2/2009 Moises Deiab ..... D21/325

(75) Inventors: **Koichiro Hashimoto**, Tokyo (JP);  
**Takashi Izawa**, Tokyo (JP); **Yoshihide**  
**Endo**, Tokyo (JP)

\* cited by examiner

*Primary Examiner*—Prabhakar Deshmukh  
(74) *Attorney, Agent, or Firm*—Manabu Kanesaka

(73) Assignee: **Aruze Corporation**, Tokyo (JP)

(\*\*) Term: **14 Years**

(57) **CLAIM**

(21) Appl. No.: **29/311,504**

The ornamental design for a game machine, as shown and described.

(22) Filed: **Apr. 3, 2009**

**DESCRIPTION**

(30) **Foreign Application Priority Data**

Nov. 10, 2008 (JP) ..... 2008-028767

FIG. 1 is a front view of a game machine showing our new design;

(51) **LOC (9) Cl.** ..... **21-01**

FIG. 2 is a rear view thereof;

(52) **U.S. Cl.** ..... **D21/325; D21/369**

FIG. 3 is a right side view thereof;

(58) **Field of Classification Search** ..... D21/325,  
D21/329, 333, 369–371, 385; 273/148 B,  
273/138.1; 463/1, 16–21, 25, 42, 46, 47

FIG. 4 is a left side view thereof;

See application file for complete search history.

FIG. 5 is a top plane view thereof;

FIG. 6 is a bottom plan view thereof;

FIG. 7 is a perspective view thereof;

FIG. 8 is another perspective view thereof;

(56) **References Cited**

**U.S. PATENT DOCUMENTS**

4,850,591 A \* 7/1989 Takezawa et al. .... 463/37  
5,795,224 A \* 8/1998 Yoshida ..... 463/2  
5,851,147 A \* 12/1998 Stupak et al. .... 463/13  
D421,774 S \* 3/2000 Toriyama ..... D21/325  
D425,570 S \* 5/2000 Otomi et al. .... D21/325  
D435,068 S \* 12/2000 Muraki et al. .... D21/325  
D472,936 S \* 4/2003 Ohtomi et al. .... D21/325

FIG. 9 is a sectional view taken along line 9—9 in FIG. 1; and,  
FIG. 10 is a sectional view taken along line 10—10 in FIG. 3.

The broken lines, which define the bounds of the claimed design, form no part thereof. The broken lines environment is for illustrative purpose and forms no part of the claimed design.

**1 Claim, 10 Drawing Sheets**

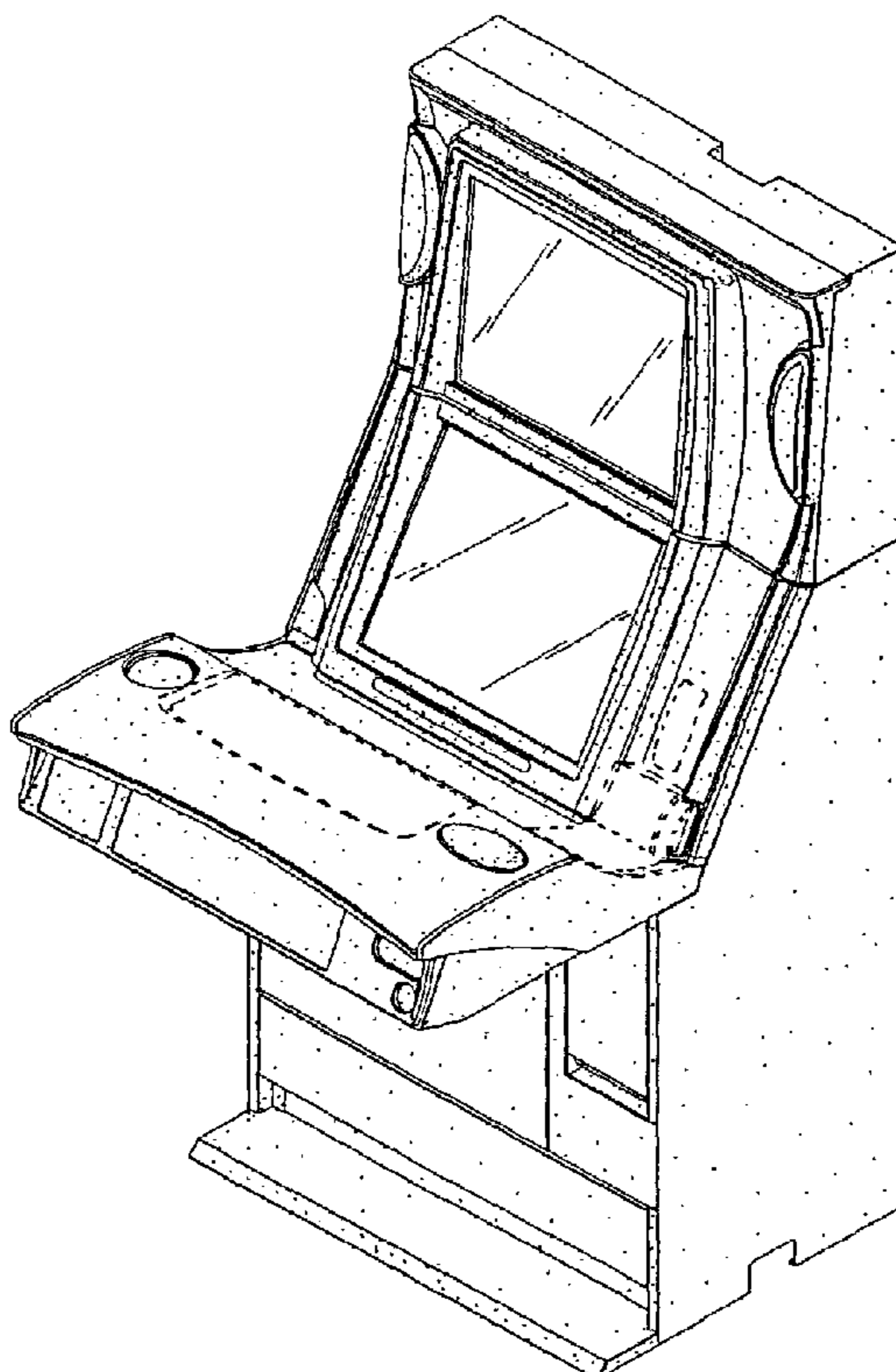


Fig. 1

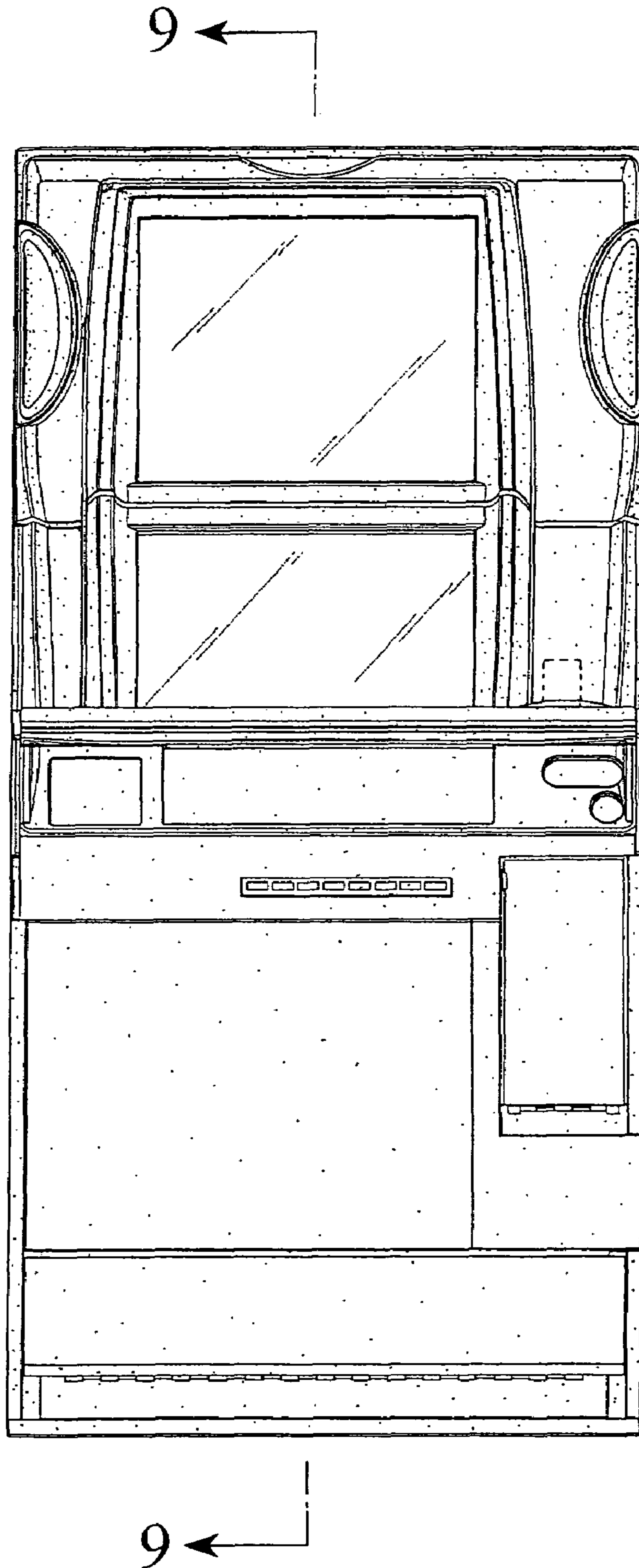


Fig. 2

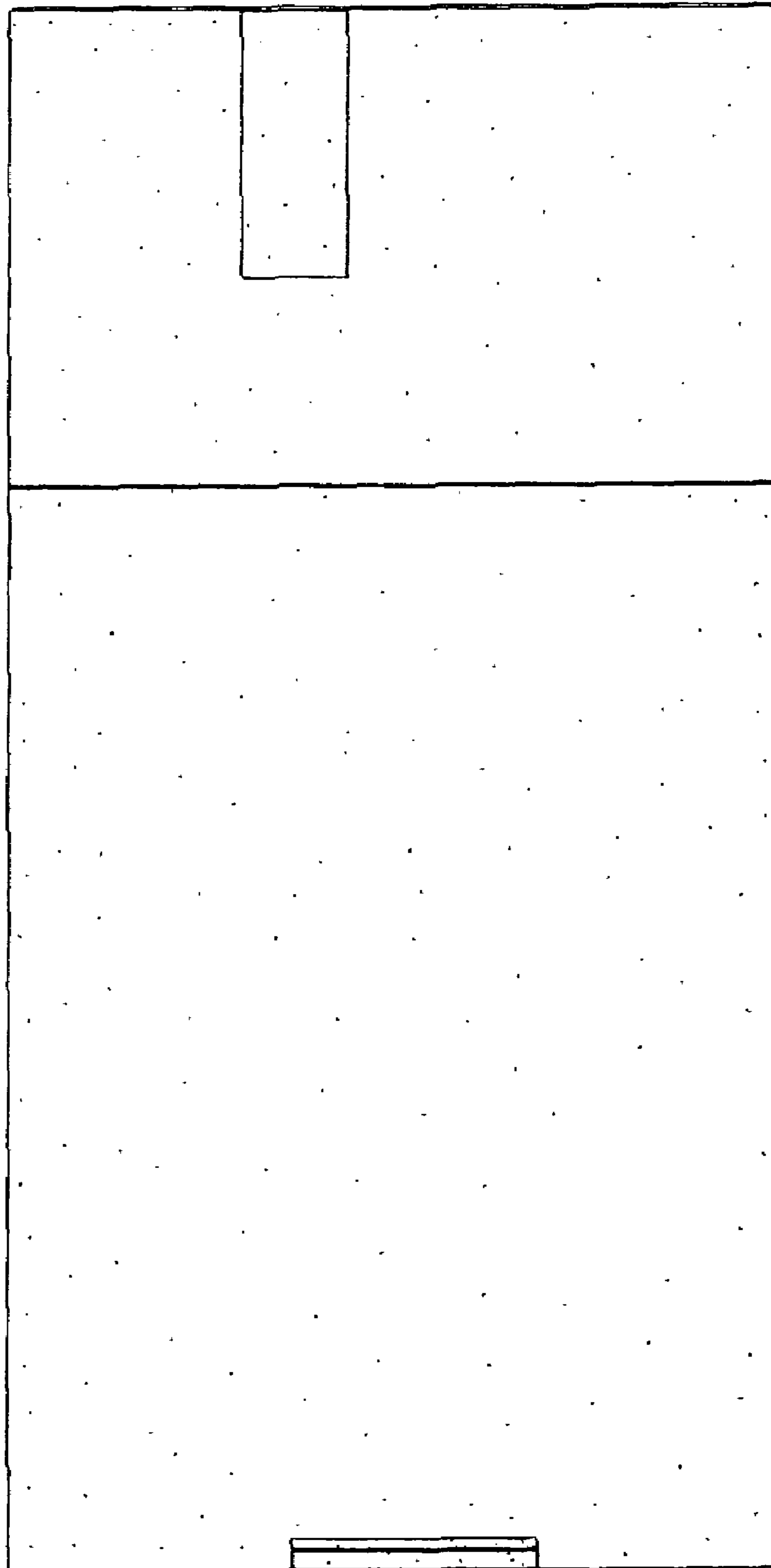


Fig. 3

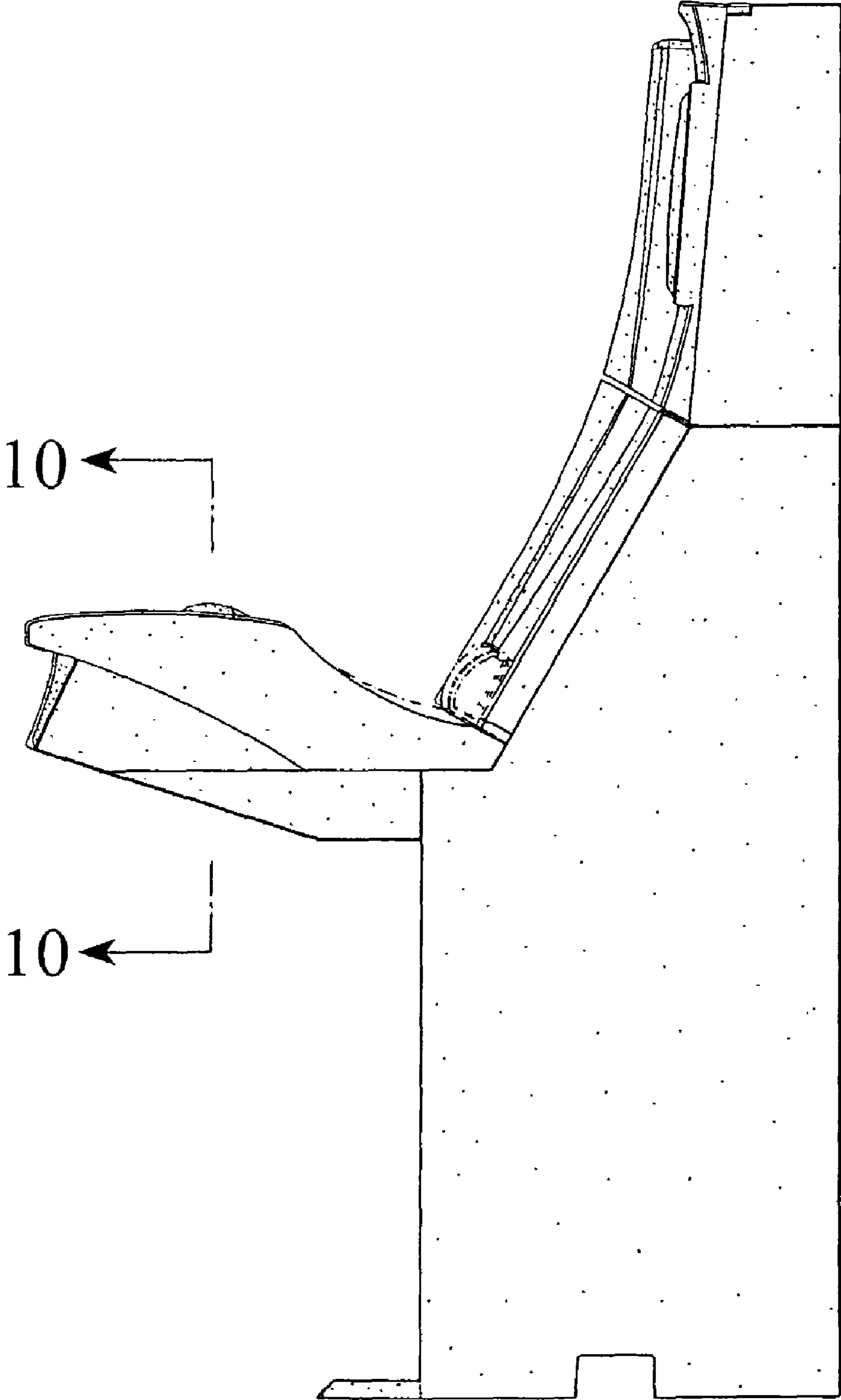


Fig. 4

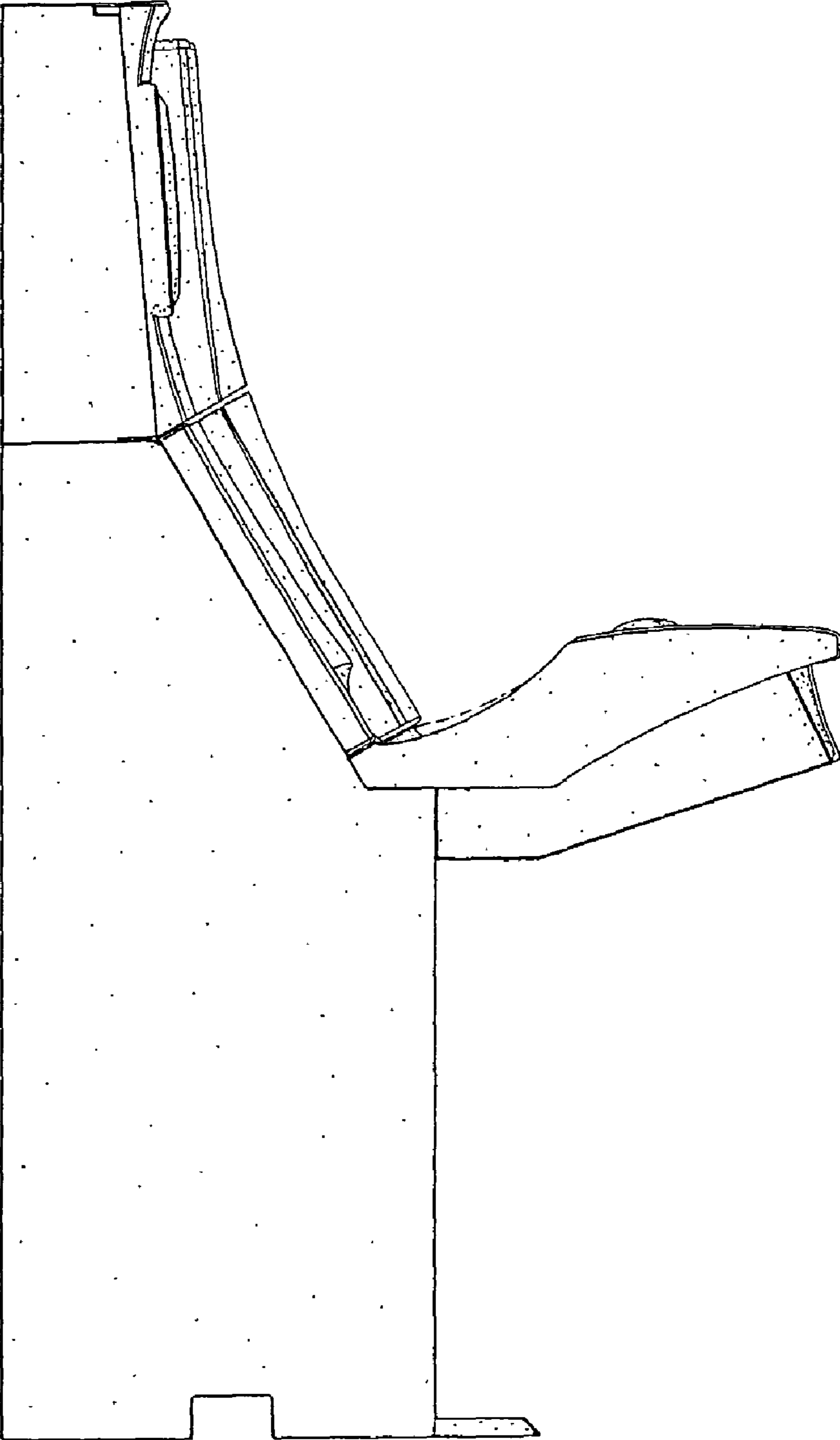


Fig. 5

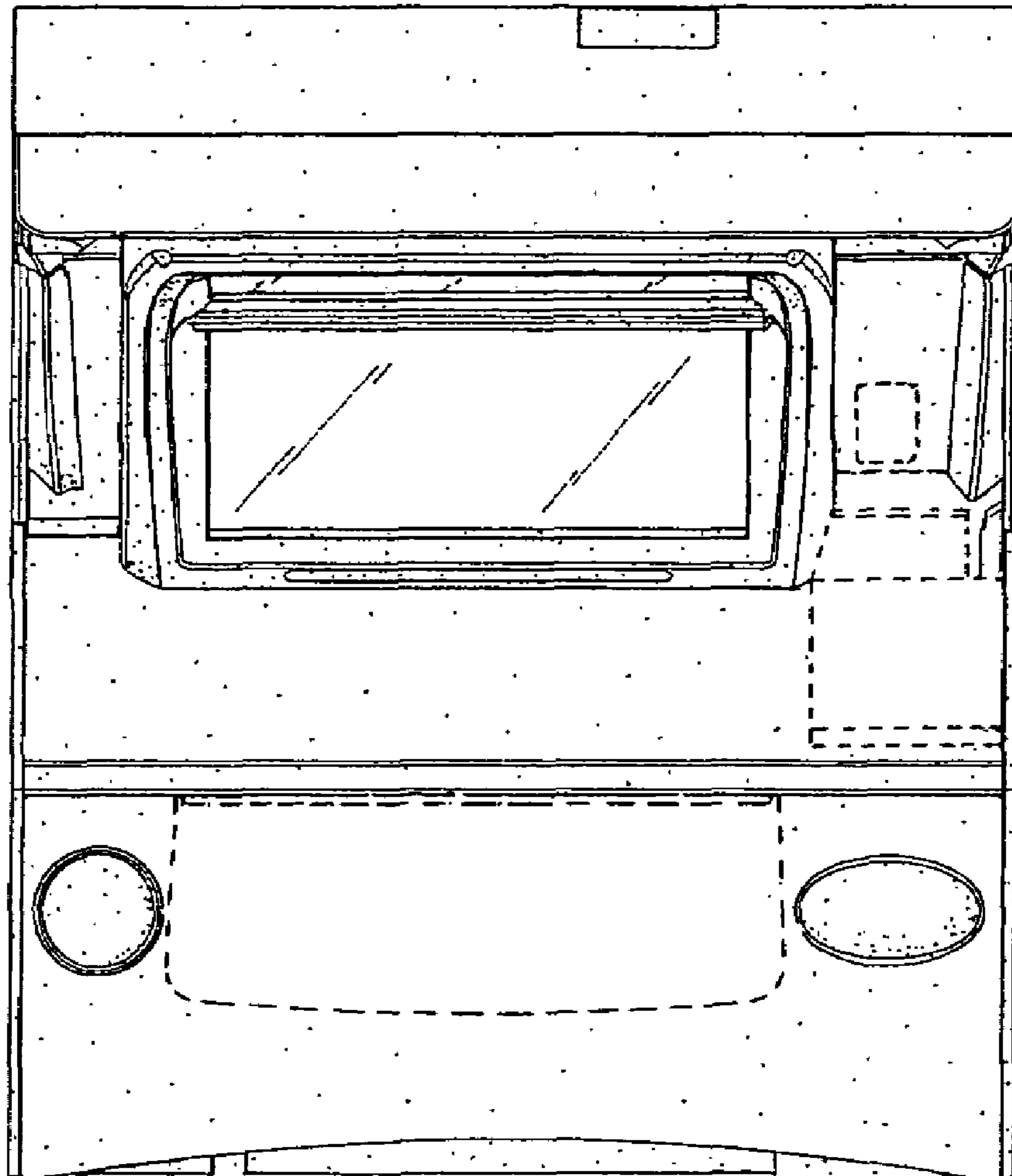


Fig. 6

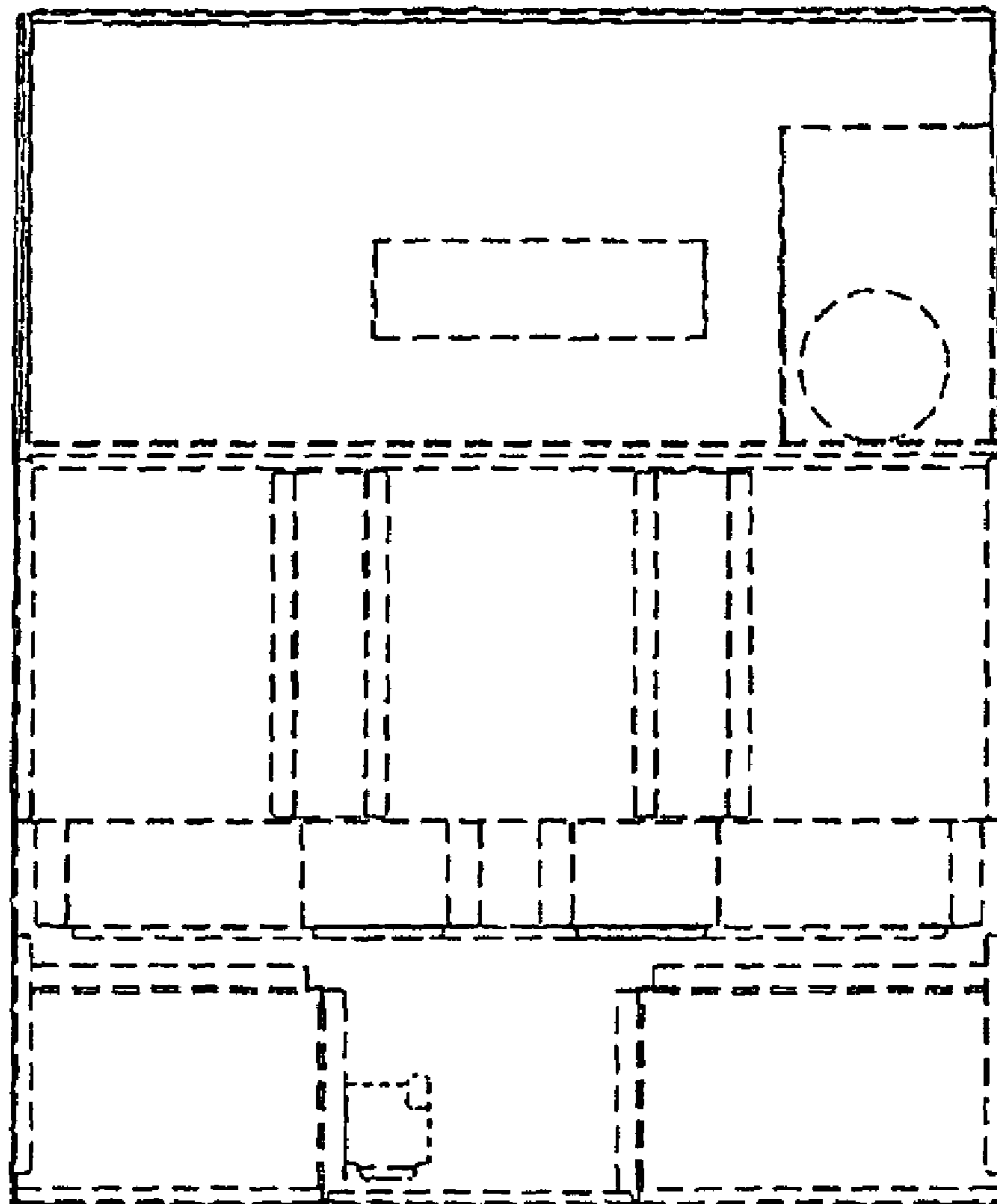


Fig. 7

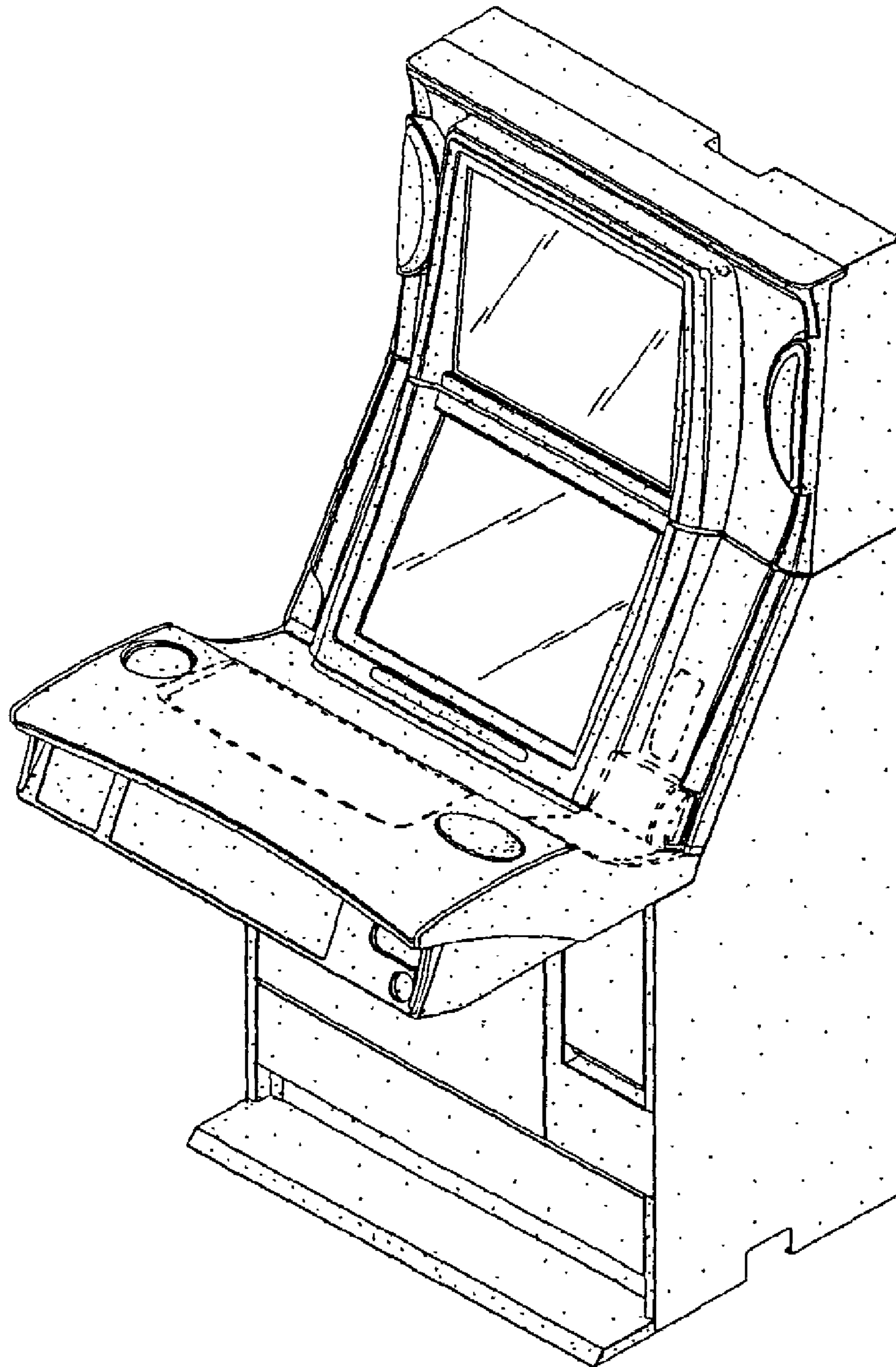




Fig. 8

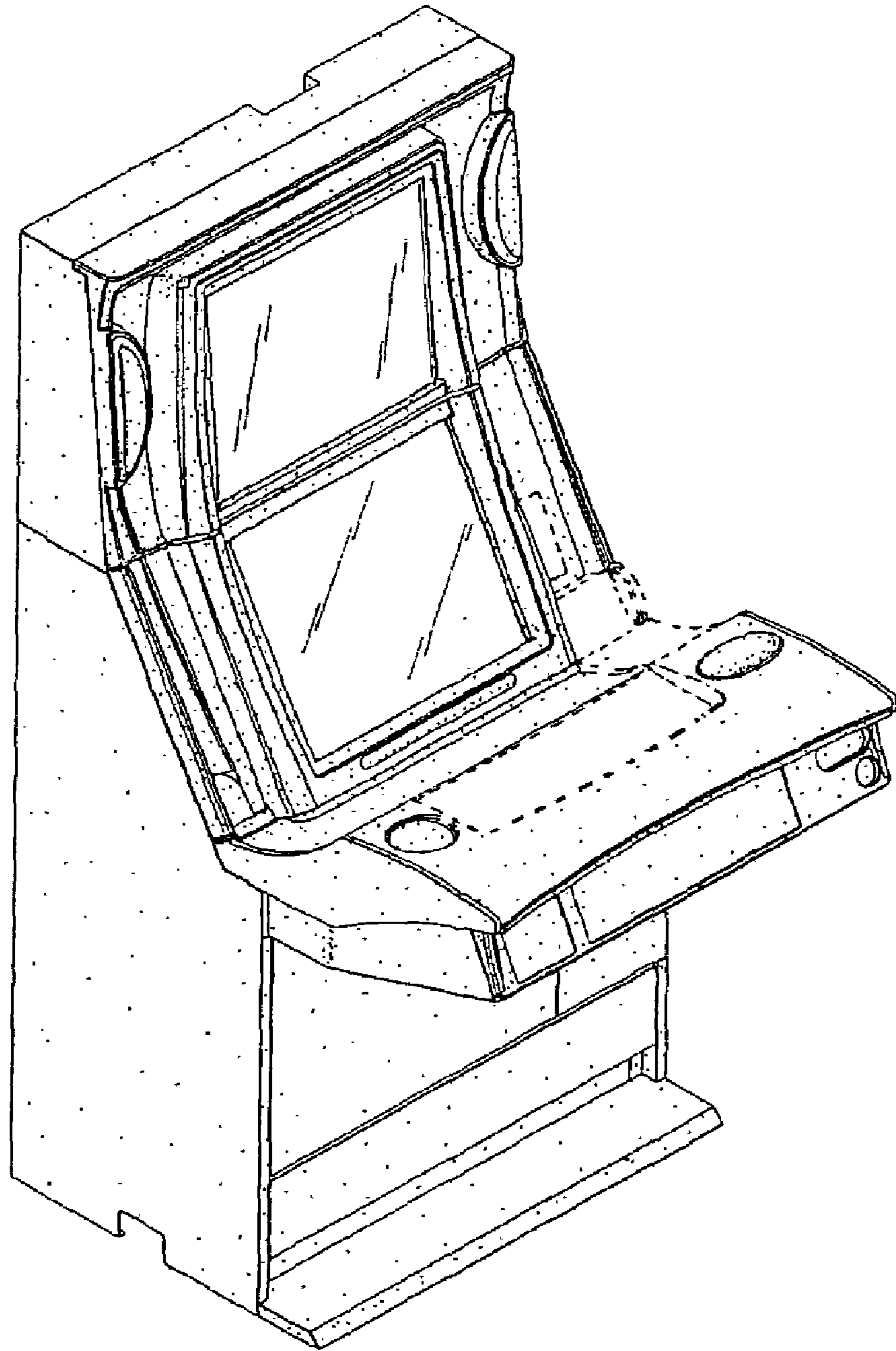


Fig. 9

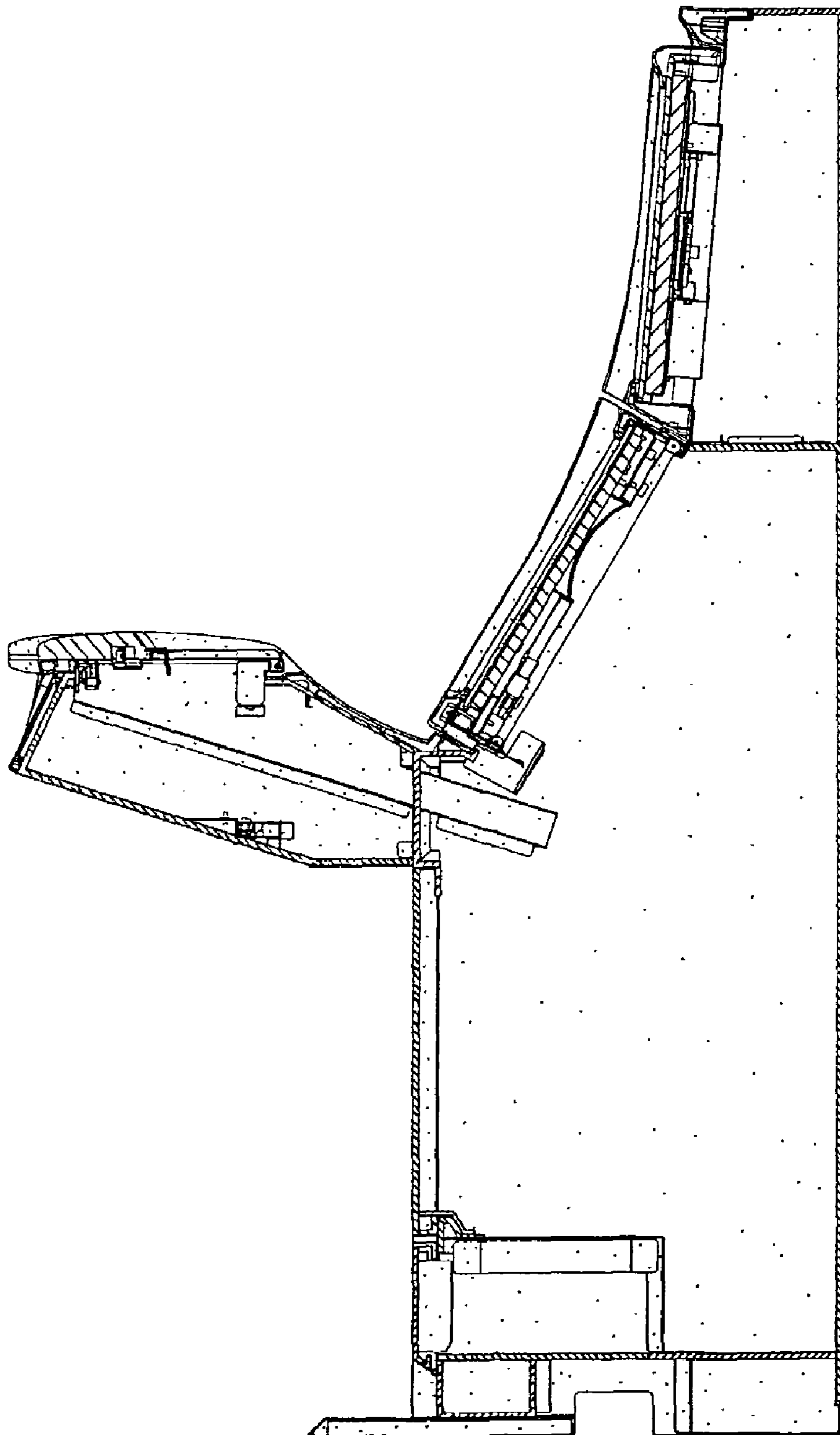


Fig. 10

