



US00D605226S

(12) **United States Design Patent**  
**Nishimura**

(10) **Patent No.:** **US D605,226 S**

(45) **Date of Patent:** **\*\* Dec. 1, 2009**

(54) **CRAFT PUNCH**

(75) Inventor: **Mayumi Nishimura**, Nara (JP)

(73) Assignee: **Kuretake Co., Ltd.**, Nara-shi (JP)

(\*\*) Term: **14 Years**

(21) Appl. No.: **29/340,408**

(22) Filed: **Jul. 17, 2009**

(30) **Foreign Application Priority Data**

Jan. 20, 2009 (JP) ..... 2009-000940

(51) **LOC (9) Cl.** ..... **19-02**

(52) **U.S. Cl.** ..... **D19/72**

(58) **Field of Classification Search** ..... D8/98;  
D19/72, 73; 30/358, 363; 83/167, 582, 588,  
83/613, 618, 620, 633, 684, 686  
See application file for complete search history.

(56) **References Cited**

**U.S. PATENT DOCUMENTS**

D312,660	S	*	12/1990	Bowles, Jr.	.....	D19/72
D321,907	S	*	11/1991	Matsuno	.....	D19/72
D364,411	S	*	11/1995	Wang	.....	D15/128
D392,323	S	*	3/1998	Appelbaum	.....	D19/72
5,749,278	A	*	5/1998	Lee et al.	.....	83/588
D395,676	S	*	6/1998	Chiou	.....	D19/72
D406,606	S	*	3/1999	Lee	.....	D19/72
D407,752	S	*	4/1999	Kim et al.	.....	D19/72
6,089,137	A	*	7/2000	Lee	.....	83/621
D433,062	S	*	10/2000	Ho	.....	D19/72
6,209,434	B1	*	4/2001	Kim et al.	.....	83/549
6,428,248	B1	*	8/2002	Lee	.....	407/117
RE38,219	E	*	8/2003	Lee et al.	.....	83/588
D482,729	S	*	11/2003	Chi Kuo	.....	D19/72
D491,230	S	*	6/2004	Lee	.....	D19/72
D499,449	S	*	12/2004	Chan	.....	D19/72
D505,606	S	*	5/2005	Sinisi	.....	D8/50
6,938,542	B1	*	9/2005	Ho et al.	.....	101/31.1

D511,356	S	*	11/2005	Oh	.....	D19/72
D529,094	S	*	9/2006	Weng	.....	D19/72
D529,095	S	*	9/2006	Tou	.....	D19/72
D533,229	S	*	12/2006	Tou	.....	D19/72
D554,185	S	*	10/2007	Lau	.....	D19/72
D588,198	S	*	3/2009	Yamashita et al.	.....	D19/72
2002/0139231	A1	*	10/2002	Lee	.....	83/549
2004/0129124	A1	*	7/2004	Chan	.....	83/588
2005/0039590	A1	*	2/2005	Weng	.....	83/684
2005/0235797	A1	*	10/2005	Takada	.....	83/684
2007/0056422	A1	*	3/2007	Lee	.....	83/582
2007/0180970	A1	*	8/2007	Sinisi	.....	83/698.11
2008/0066599	A1	*	3/2008	Aniceto et al.	.....	83/582
2009/0188365	A1	*	7/2009	Chan	.....	83/613

**OTHER PUBLICATIONS**

Photo Anchor punch from KurePunch by Kuretake KPS24, 1 page, www.craftyaddicts.co.uk, 2008.\*

\* cited by examiner

*Primary Examiner*—Elizabeth A Albert

(74) *Attorney, Agent, or Firm*—Dennis R. Haszko; Eaton Peabody Patent Group, LLC

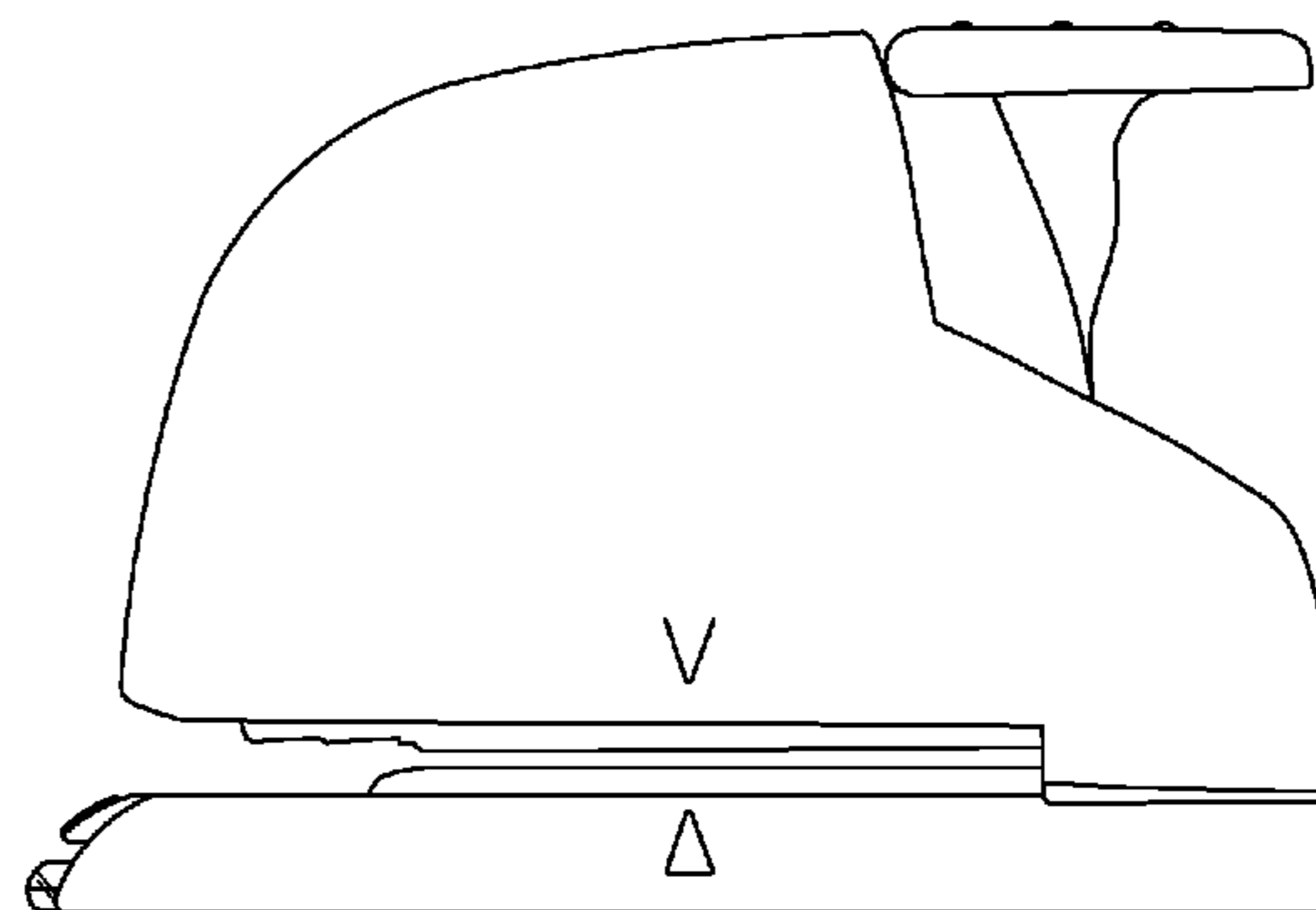
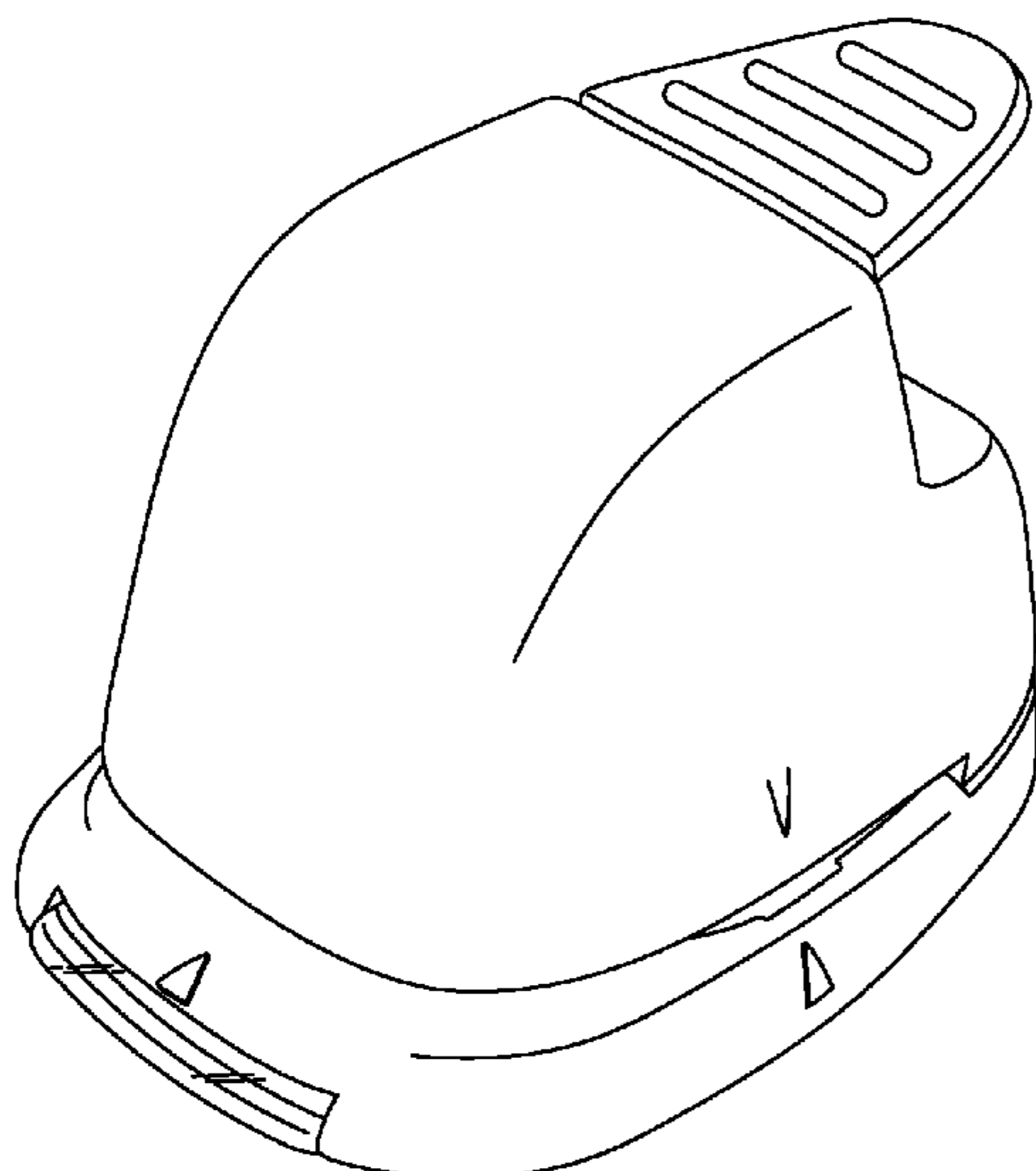
(57) **CLAIM**

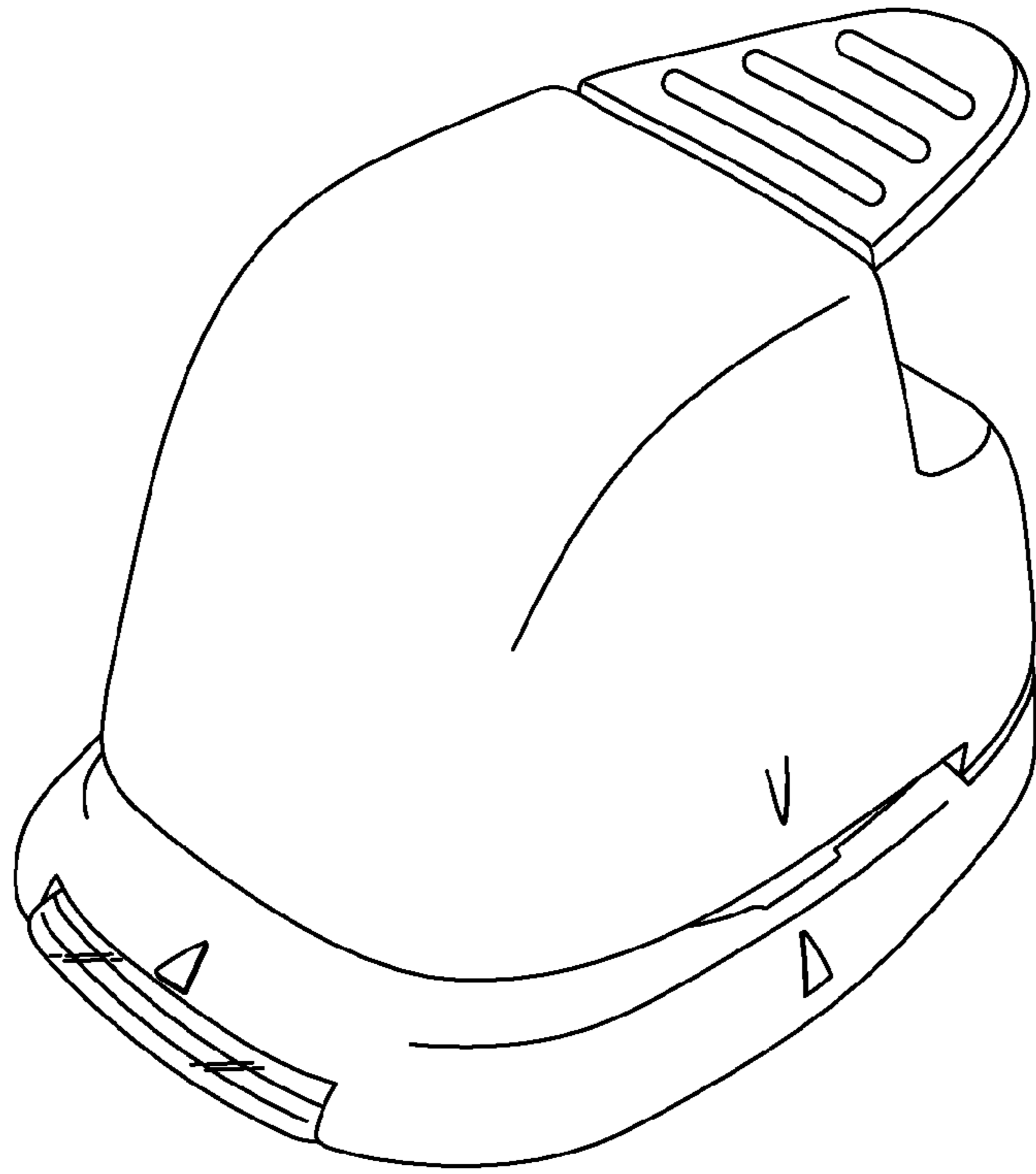
The ornamental design for a craft punch, as shown and described.

**DESCRIPTION**

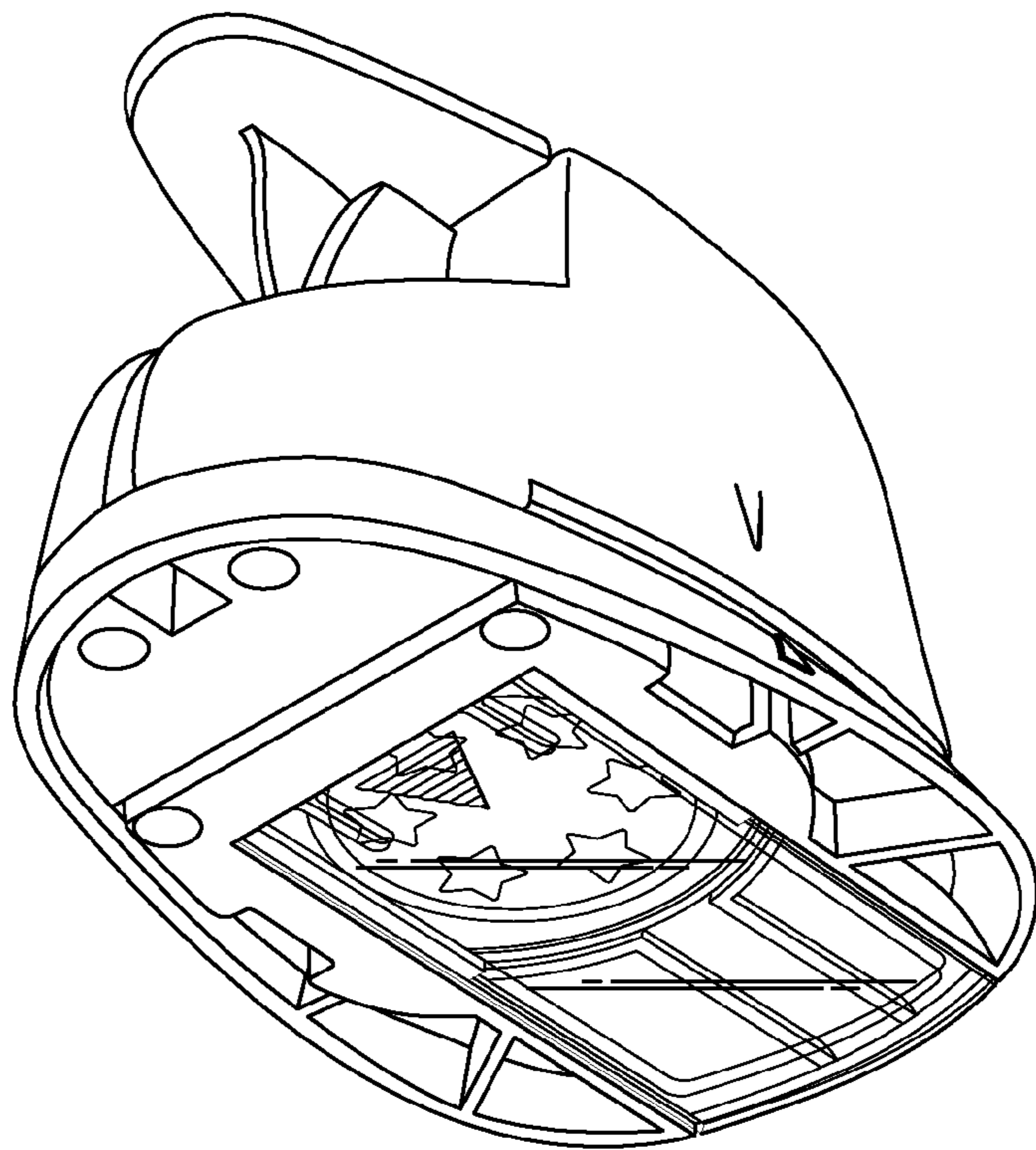
FIG. 1 is a top perspective view of the craft punch;  
FIG. 2 is a bottom perspective view thereof;  
FIG. 3 is a front view thereof;  
FIG. 4 is a rear view thereof;  
FIG. 5 is a top view thereof;  
FIG. 6 is a bottom view thereof;  
FIG. 7 is a right side view; and,  
FIG. 8 is a left side view thereof.

**1 Claim, 4 Drawing Sheets**

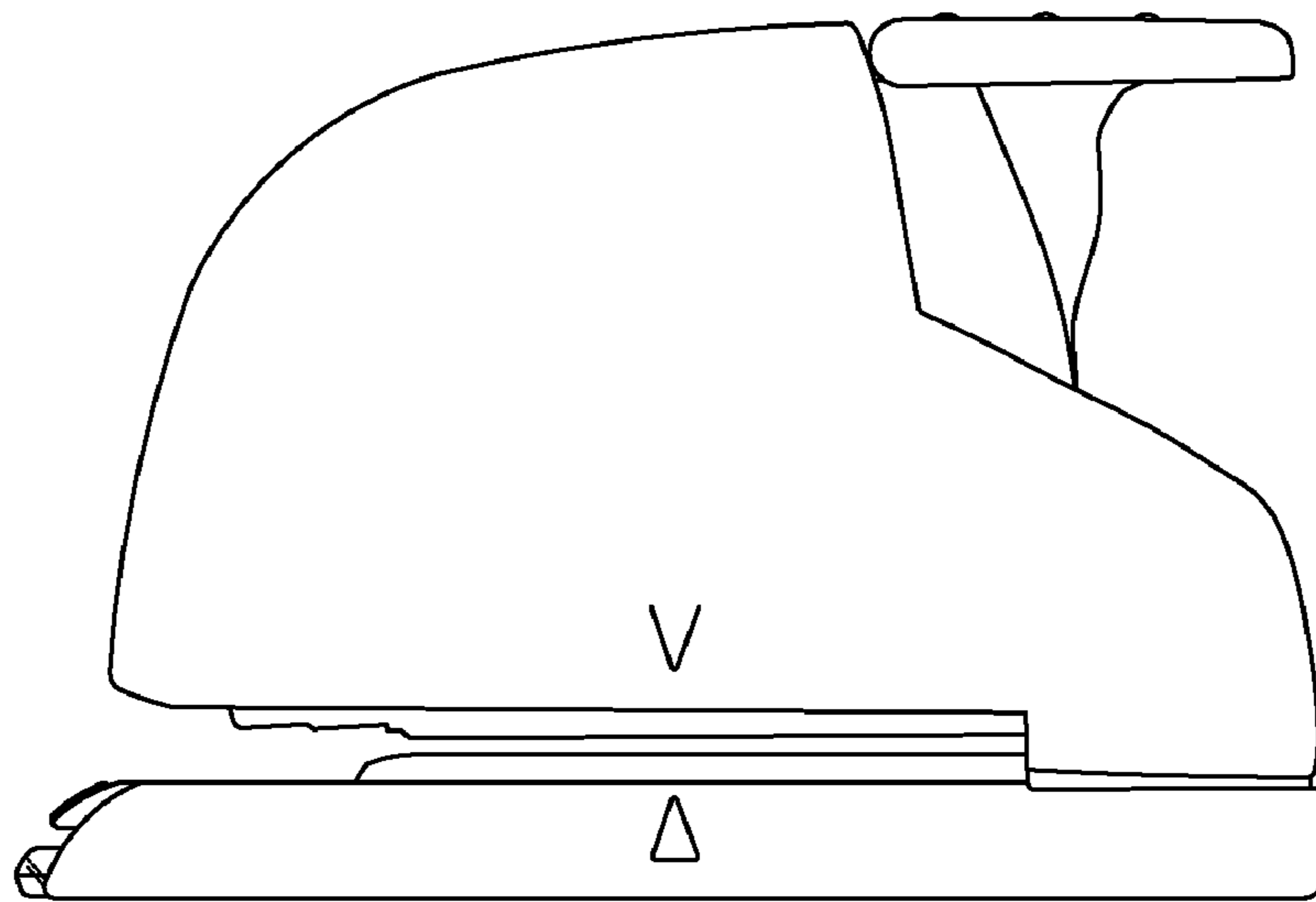




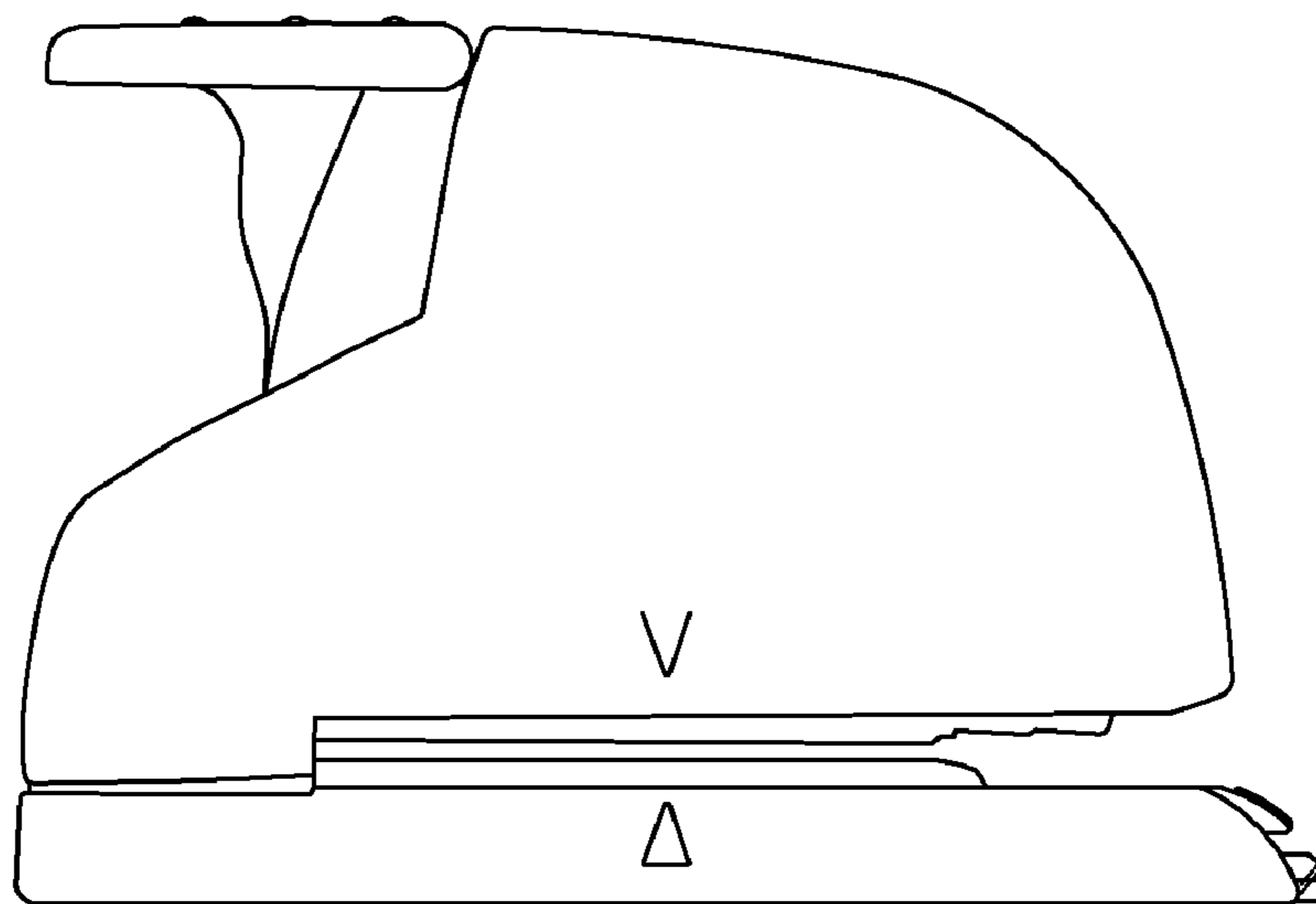
**FIG. 1**



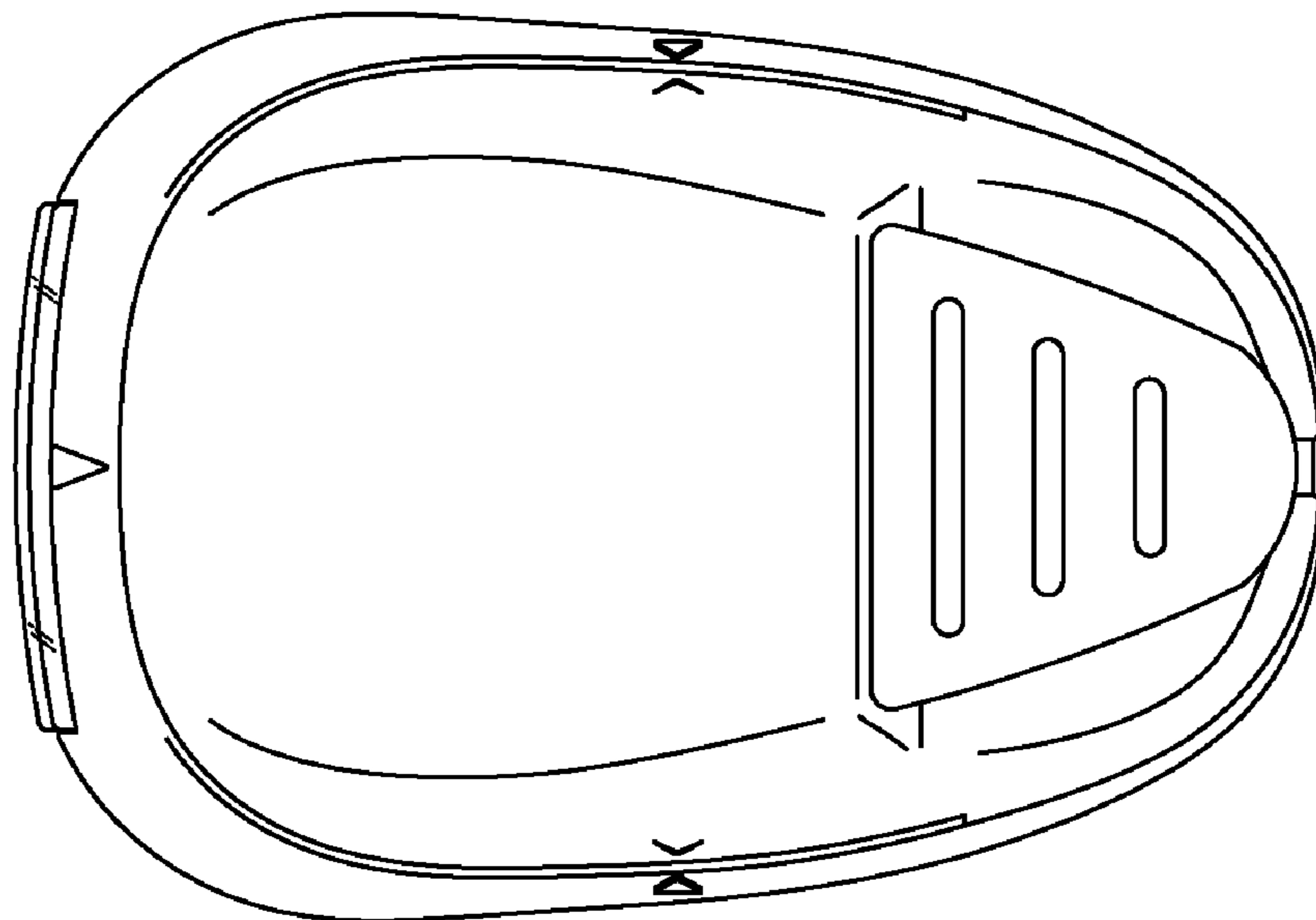
**FIG. 2**



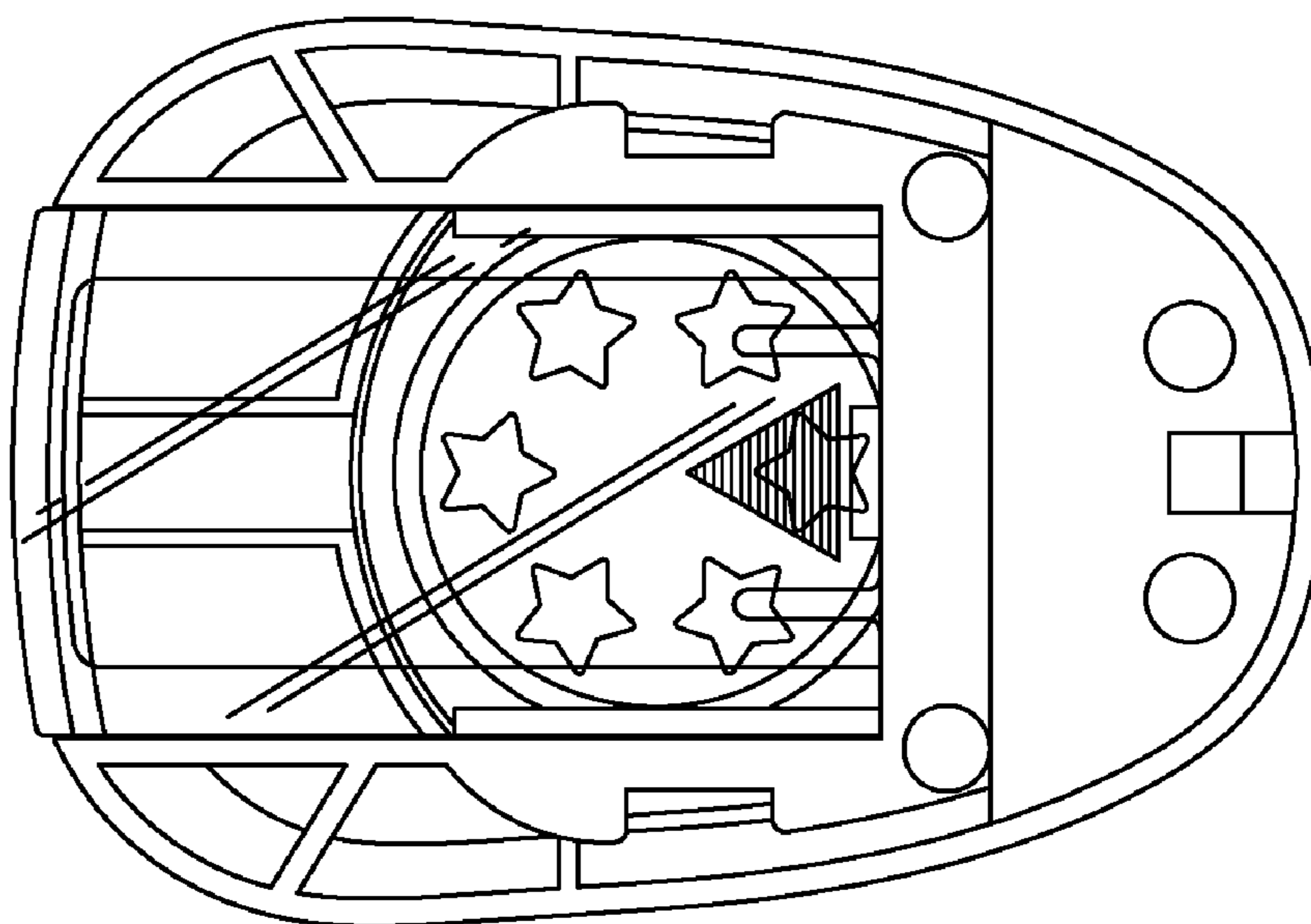
**FIG. 3**



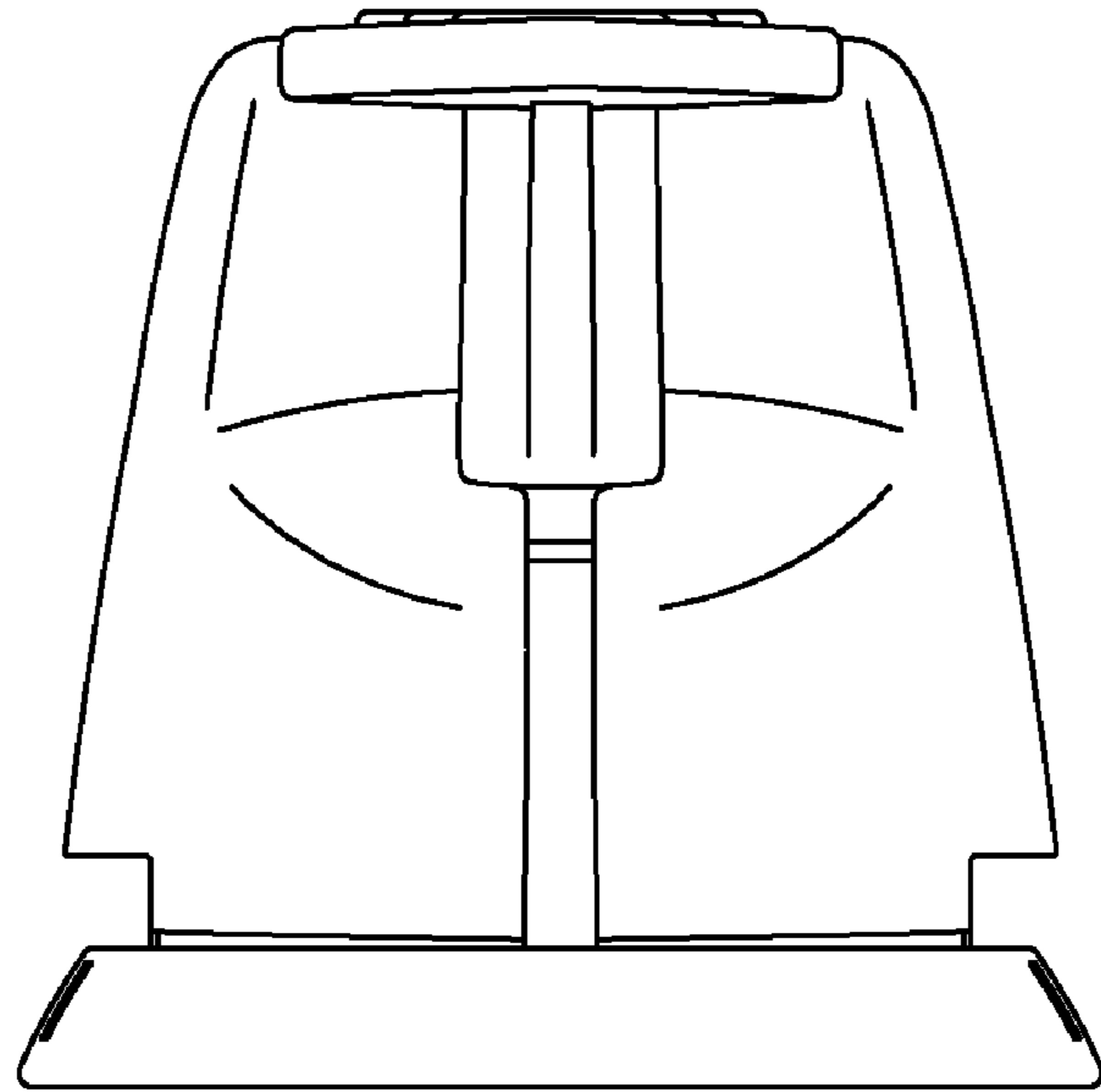
**FIG. 4**



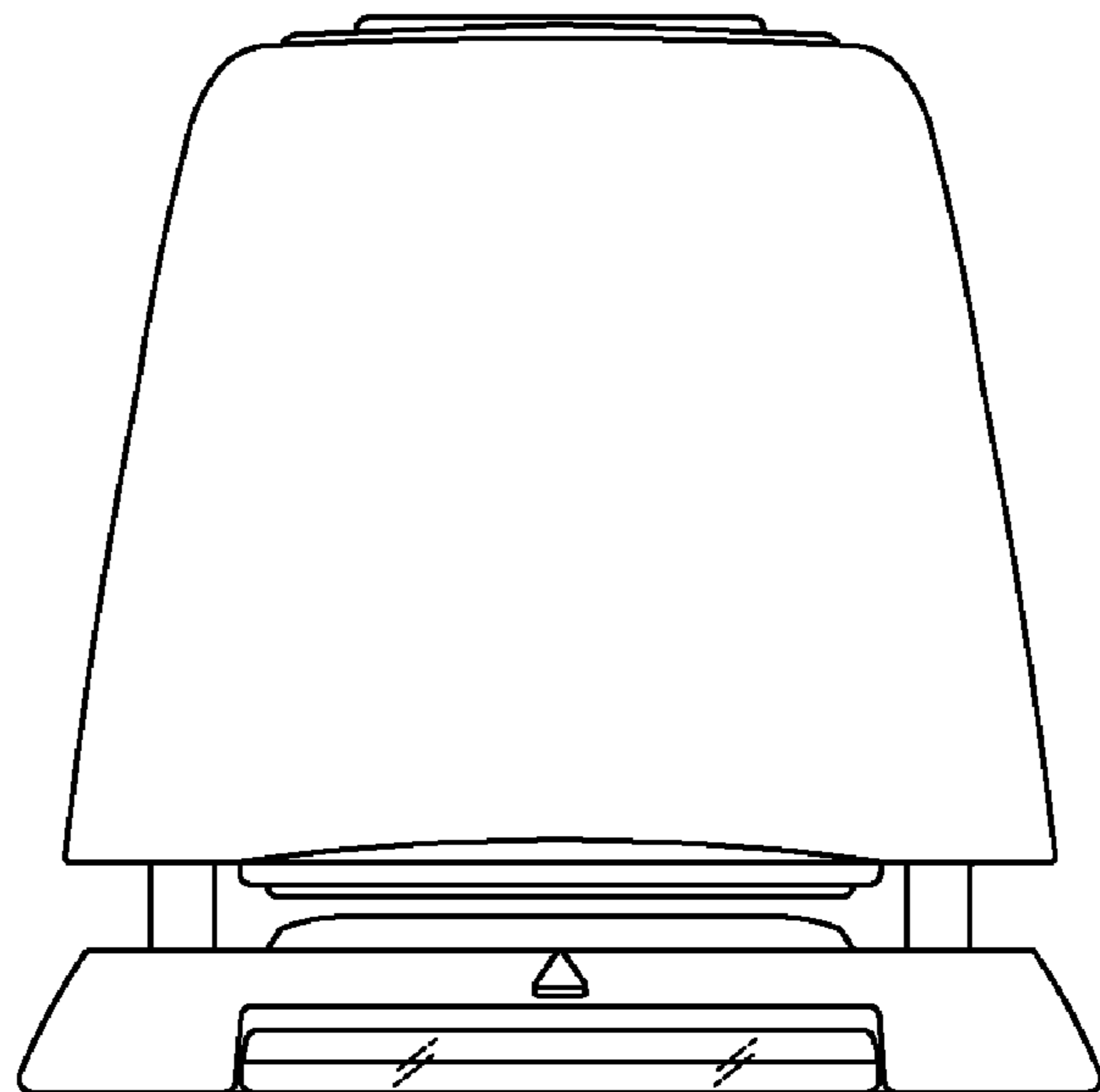
**FIG. 5**



**FIG. 6**



**FIG. 7**



**FIG. 8**