



US00D605223S

(12) **United States Design Patent**
Murcia et al.

(10) **Patent No.:** **US D605,223 S**

(45) **Date of Patent:** **** Dec. 1, 2009**

(54) **IMAGING HEAD**

(75) Inventors: **Antoni S. Murcia**, Poway, CA (US);
David L. Berardelli, San Diego, CA
(US); **Kevin J. Hasseler**, Murrieta, CA
(US); **Cesar Fernandez Espasa**, San
Diego, CA (US); **Adam J. Livingston**,
San Marcos, CA (US); **Michael W.**
Munro, San Diego, CA (US); **Raul**
Perez, San Marcos, CA (US); **Kurt E.**
Thiessen, Escondido, CA (US); **Mark**
McGarry, San Diego, CA (US)

(73) Assignee: **Hewlett-Packard Development
Company, L.P.**, Houston, TX (US)

(**) Term: **14 Years**

(21) Appl. No.: **29/282,815**

(22) Filed: **Jul. 30, 2007**

Related U.S. Application Data

(63) Continuation-in-part of application No. 11/105,687,
filed on Apr. 14, 2005.

(51) **LOC (9) Cl.** **18-02**

(52) **U.S. Cl.** **D18/56**

(58) **Field of Classification Search** D18/12,
D18/43, 56; 347/8, 86-87

See application file for complete search history.

(56) **References Cited**

U.S. PATENT DOCUMENTS

D385,576 S 10/1997 Busby et al.

5,936,650 A	8/1999	Ouchida et al.	
6,068,370 A	5/2000	Miller et al.	
6,082,854 A	7/2000	Axtell et al.	
6,120,132 A	9/2000	Coiner et al.	
6,130,695 A	10/2000	Childers et al.	
D434,792 S	12/2000	C'DeBaca	
6,290,343 B1	9/2001	Lewis et al.	
6,450,710 B1 *	9/2002	Foster et al.	347/8
6,736,495 B2	5/2004	Wu et al.	
6,945,714 B2 *	9/2005	Miyauchi et al.	347/8
2003/0007040 A1	1/2003	Love et al.	
2003/0122883 A1 *	7/2003	Park	347/8
2004/0165041 A1	8/2004	Chen	
2004/0218025 A1	11/2004	Haldorsen	
2006/0232657 A1 *	10/2006	Murcia et al.	347/198

* cited by examiner

Primary Examiner—Cathy Anne MacCormac

(57) **CLAIM**

We claim the ornamental design for an imaging head, as shown and described.

DESCRIPTION

FIG. 1 is a front perspective view of an imaging head;

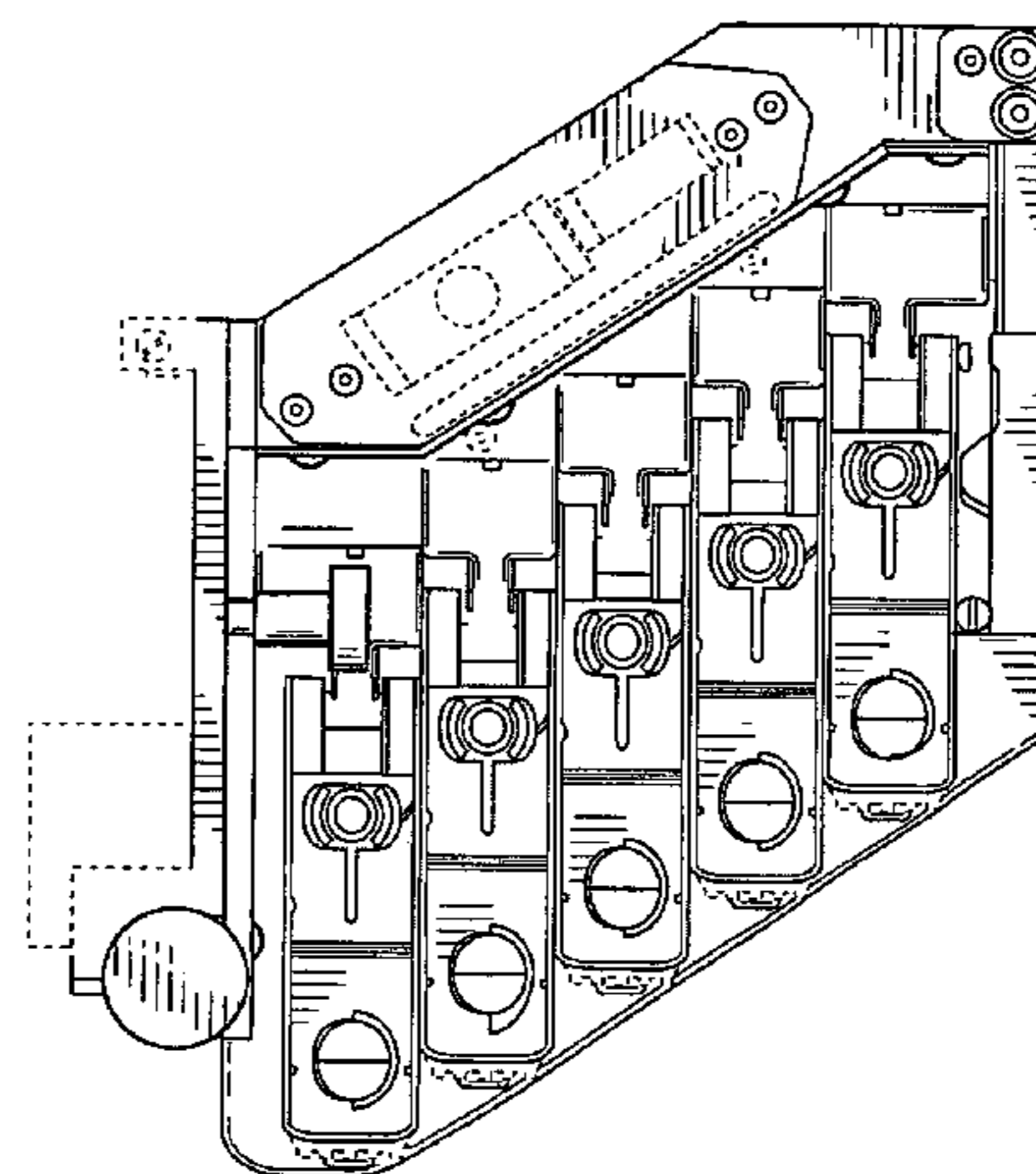
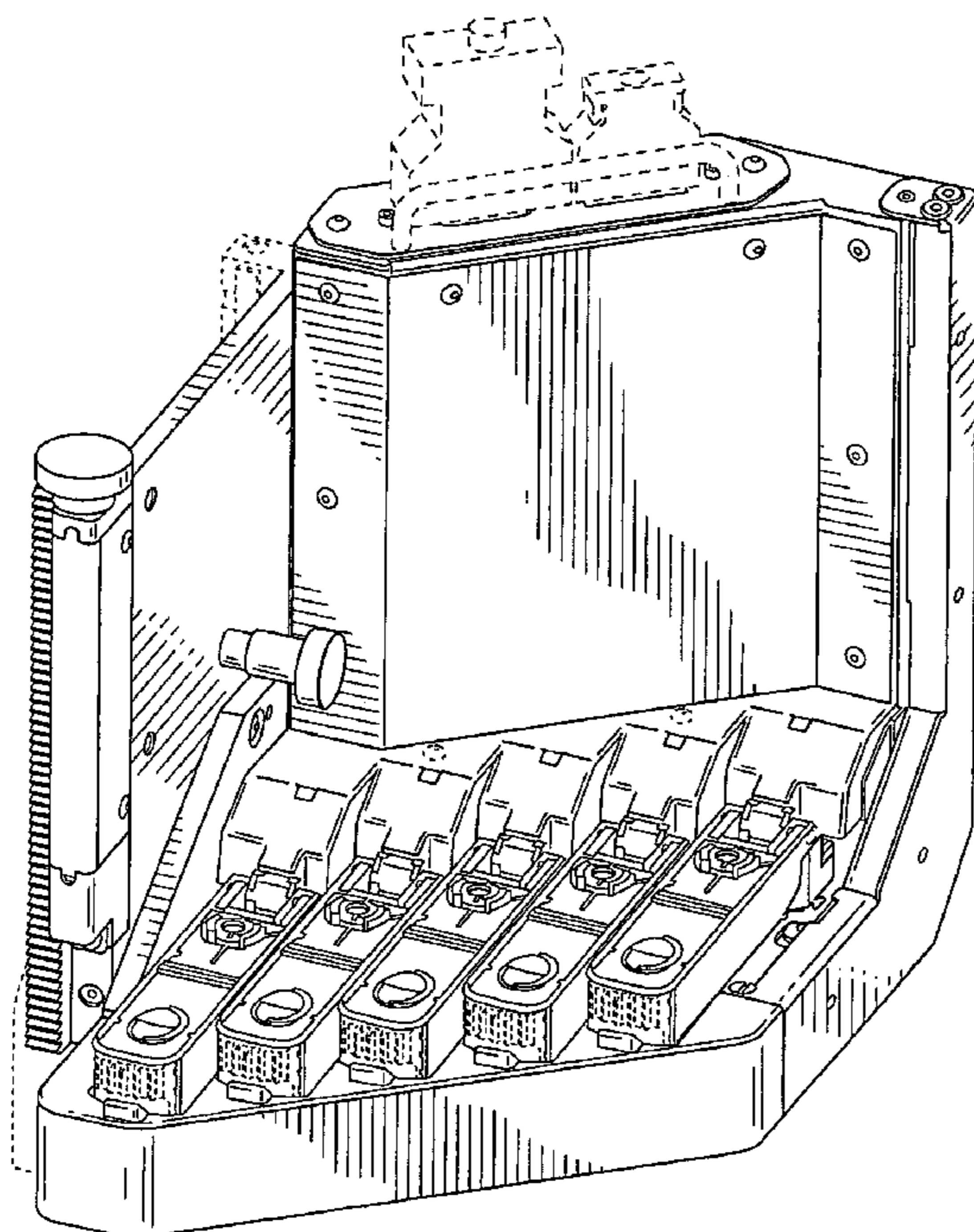
FIG. 2 is a right side elevational view thereof;

FIG. 3 is a front elevational view thereof; and,

FIG. 4 is a top view thereof.

The broken lines in the drawings are environmental and are for illustrative purposes only, forming no part of the claimed design.

1 Claim, 4 Drawing Sheets



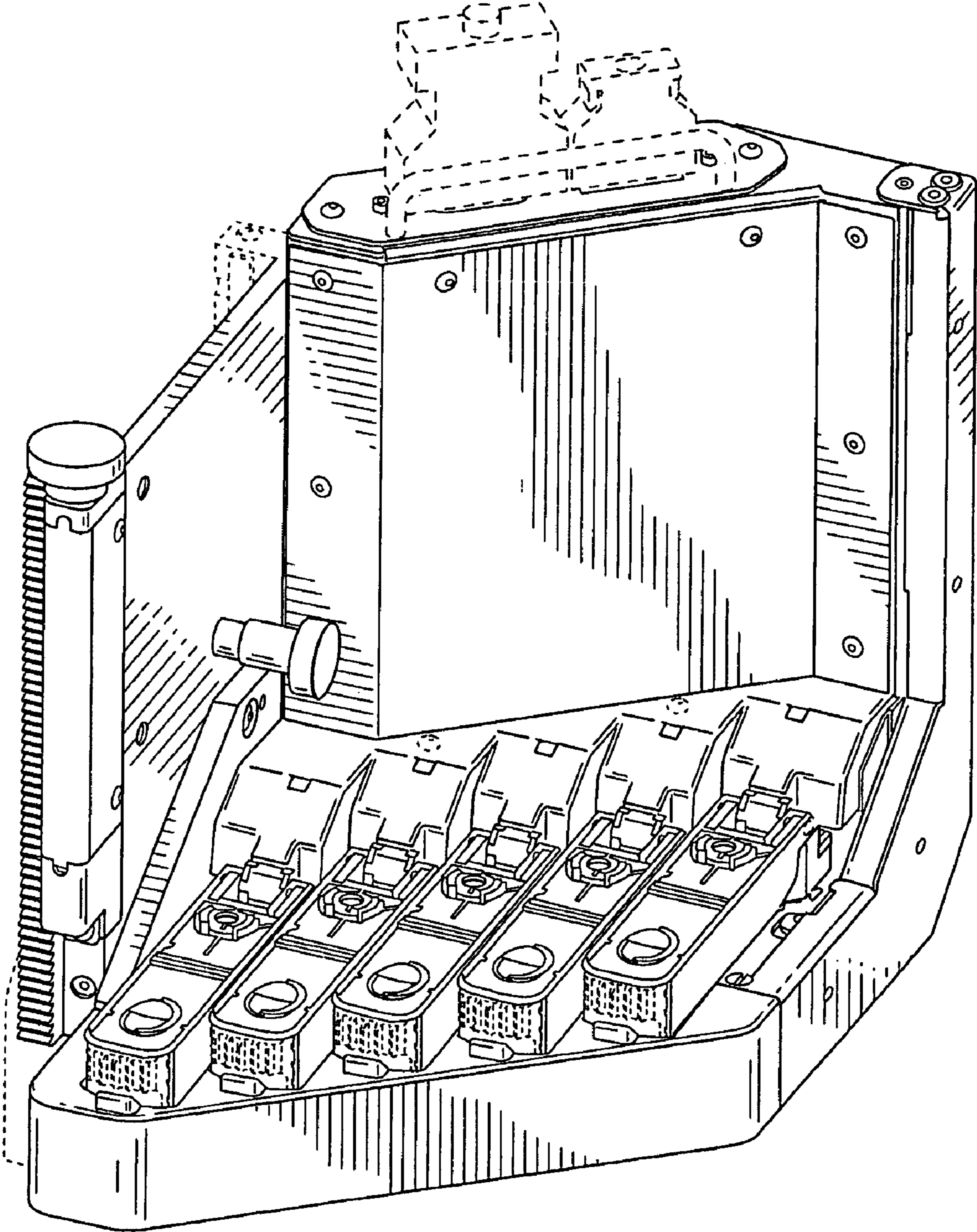


FIG. 1

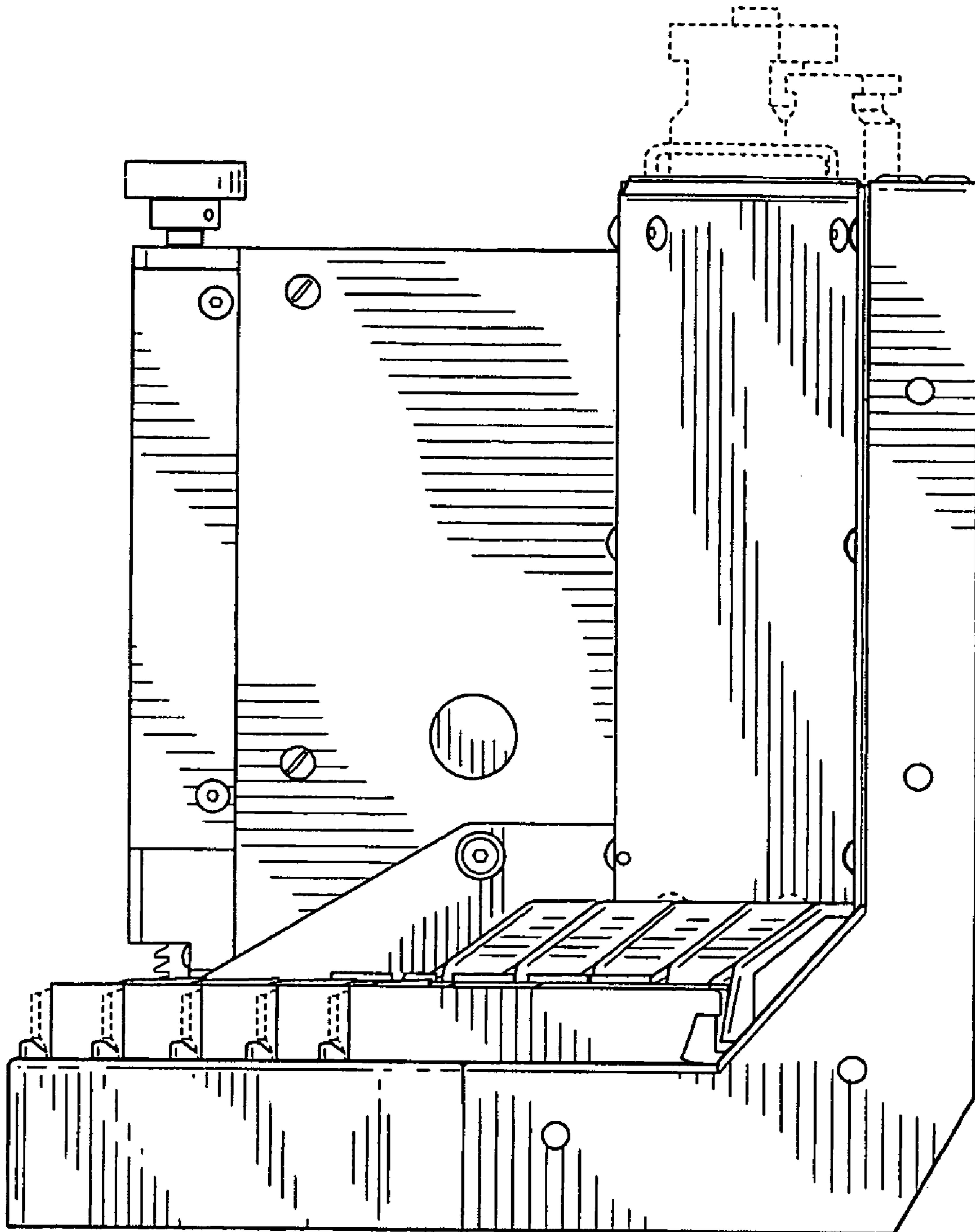


FIG. 2

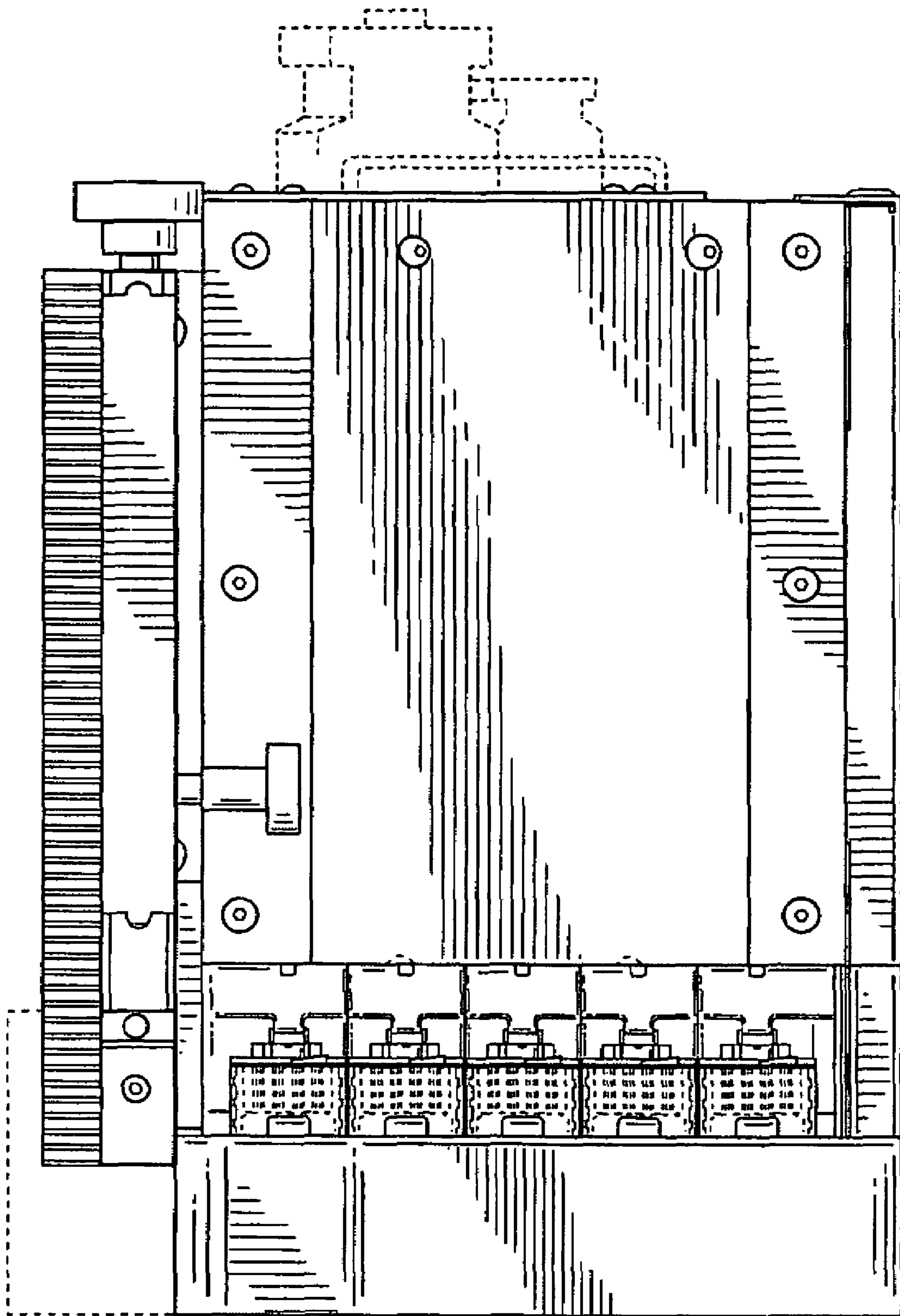


FIG. 3

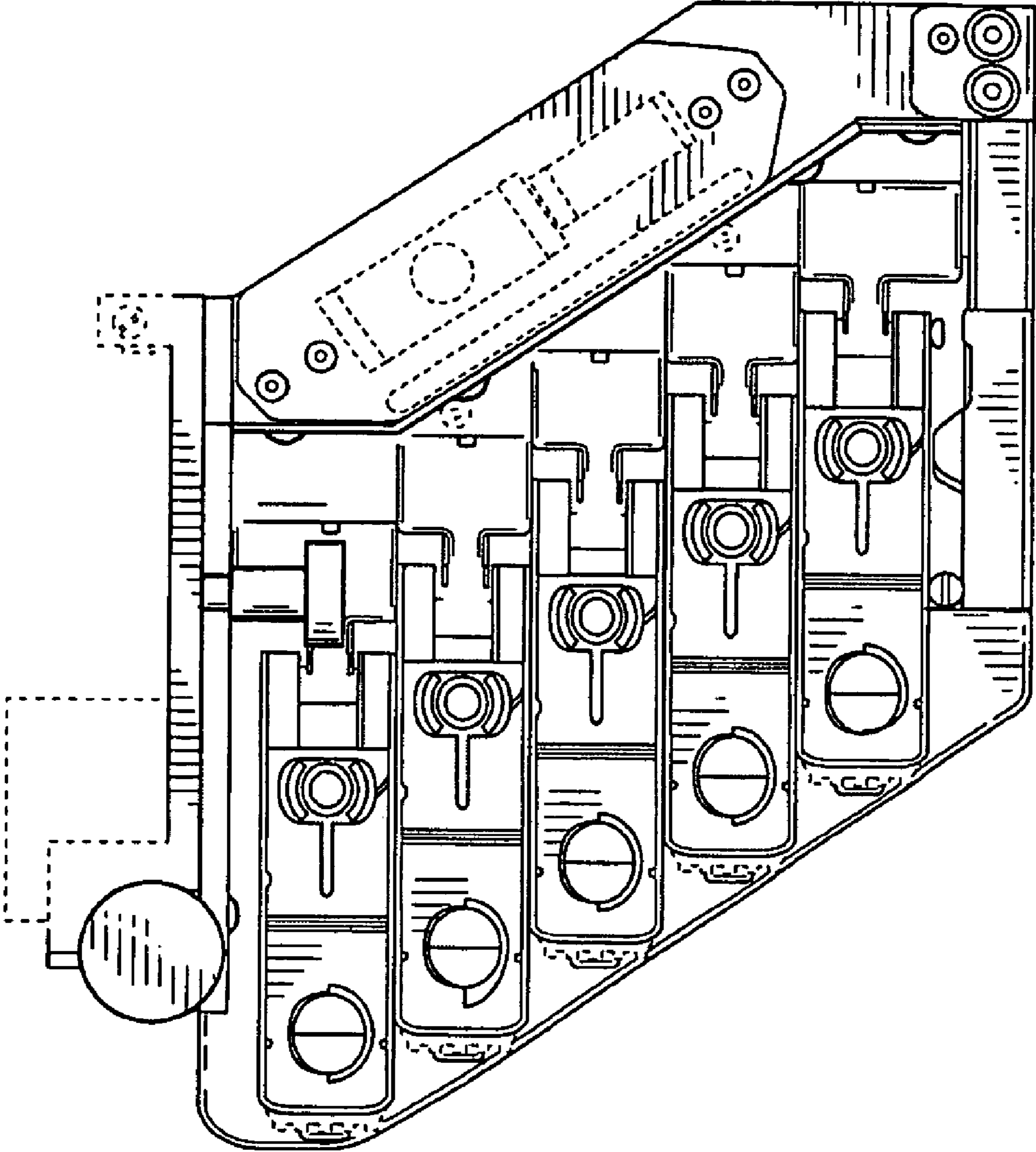


FIG. 4