



US00D605222S

(12) **United States Design Patent**
Yoshioka et al.

(10) **Patent No.:** **US D605,222 S**
(45) **Date of Patent:** **** Dec. 1, 2009**

(54) **MULTI FUNCTION PRINTER**

(75) Inventors: **Ichiro Yoshioka**, Matsumoto (JP);
Soichiro Kii, Shiojiri (JP)

(73) Assignee: **Seiko Epson Corporation** (JP)

(**) Term: **14 Years**

(21) Appl. No.: **29/310,339**

(22) Filed: **Aug. 8, 2008**

(30) **Foreign Application Priority Data**

May 29, 2008 (JP) 2008-013482

(51) **LOC (9) Cl.** **14-02**

(52) **U.S. Cl.** **D18/55**

(58) **Field of Classification Search** D18/36-37,
D18/50, 54, 54.1, 55, 19; D14/420-425,
D14/463-470; 400/613, 613.1-613.4, 690.1-690.4,
400/691-694

See application file for complete search history.

(56) **References Cited**

U.S. PATENT DOCUMENTS

D340,708 S * 10/1993 Ishibashi et al. D14/135
D389,468 S * 1/1998 Chang et al. D14/425
D531,175 S * 10/2006 Moskaluk et al. D14/421
D532,450 S * 11/2006 Smith et al. D18/55
D533,218 S * 12/2006 Gant et al. D18/55
D555,194 S * 11/2007 Smith et al. D18/55
D561,250 S * 2/2008 Smith et al. D18/55

D561,251 S * 2/2008 Tjin Wong Joe et al. D18/55
D573,633 S * 7/2008 Laidlaw et al. D18/55
D586,384 S * 2/2009 Yamaguchi et al. D18/55

* cited by examiner

Primary Examiner—Cathy Anne MacCormac

(74) *Attorney, Agent, or Firm*—Harness, Dickey & Pierce,
P.L.C.

(57) **CLAIM**

The ornamental design for a multi function printer, as shown
and described.

DESCRIPTION

FIG. 1 is a perspective view of a multi function printer, as
viewed from the front, top and right side, embodying our new
design;

FIG. 2 is a front view thereof;

FIG. 3 is a rear view thereof;

FIG. 4 is a left side view thereof;

FIG. 5 is a right side view thereof;

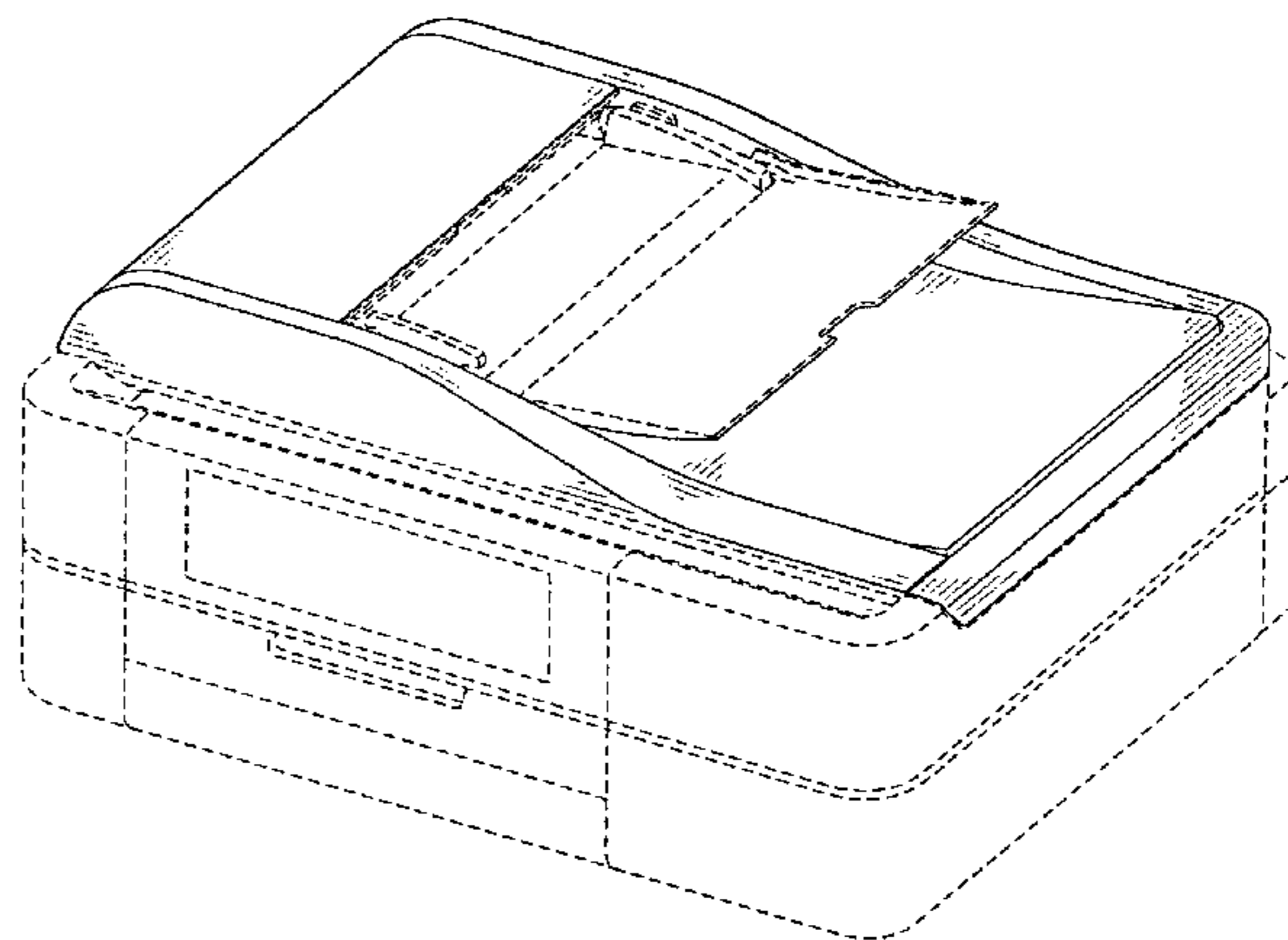
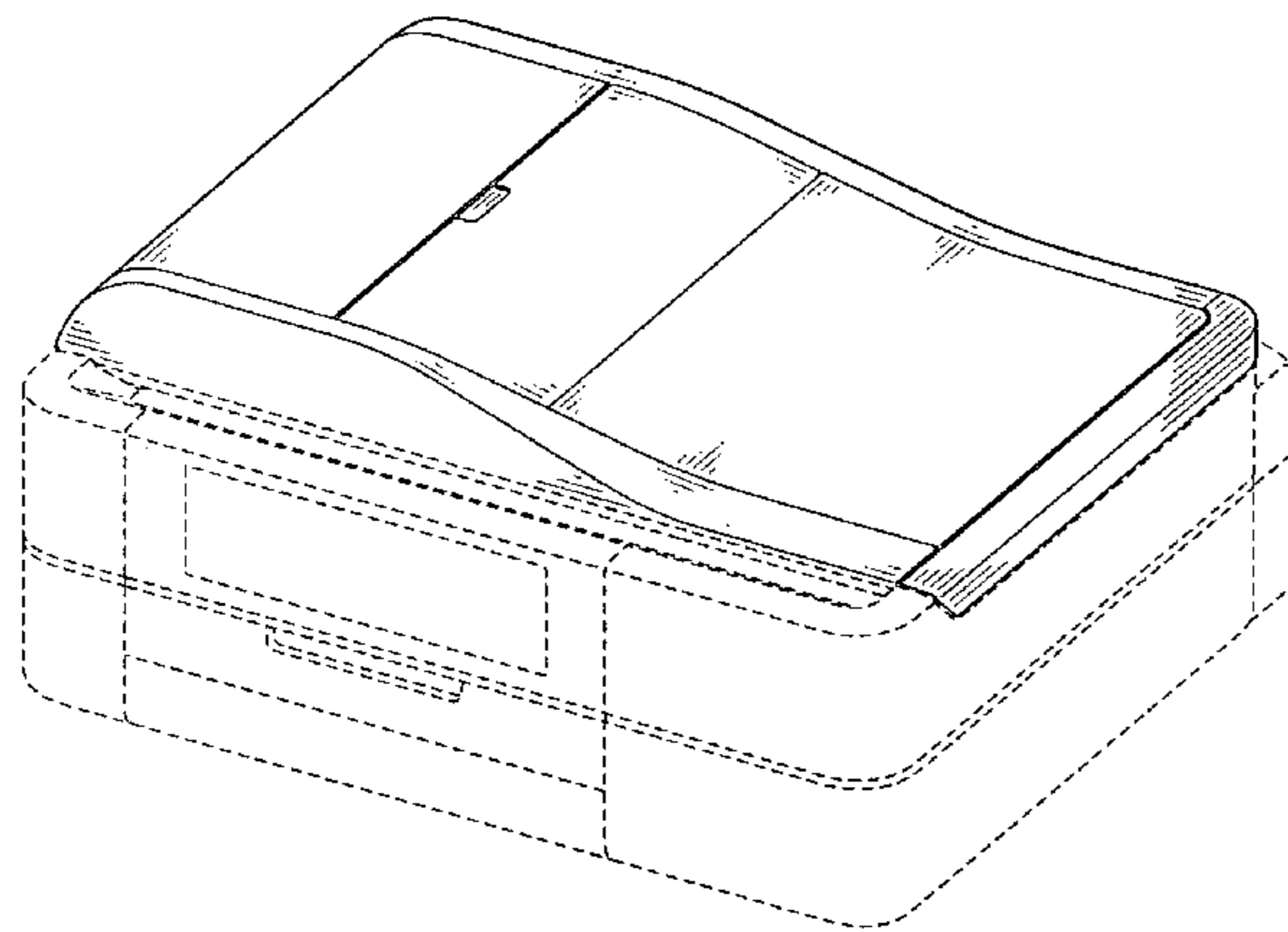
FIG. 6 is a top view thereof;

FIG. 7 is a bottom view thereof; and,

FIG. 8 is a perspective view thereof similar to FIG. 1 but
showing the upper tray in an open position.

The broken lines are for illustrative purposes only and form
no part of the claimed invention.

1 Claim, 5 Drawing Sheets



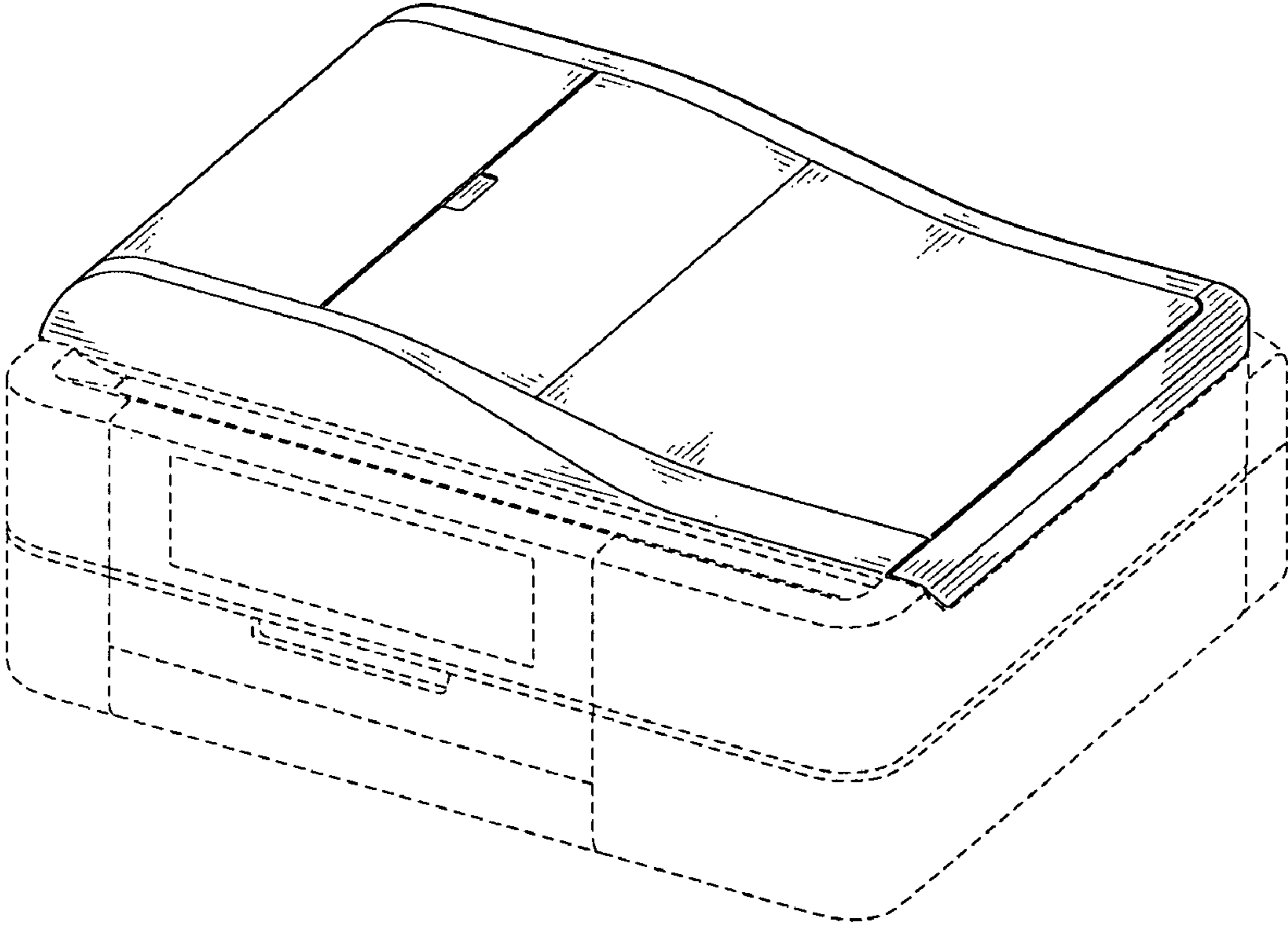


FIG. 1

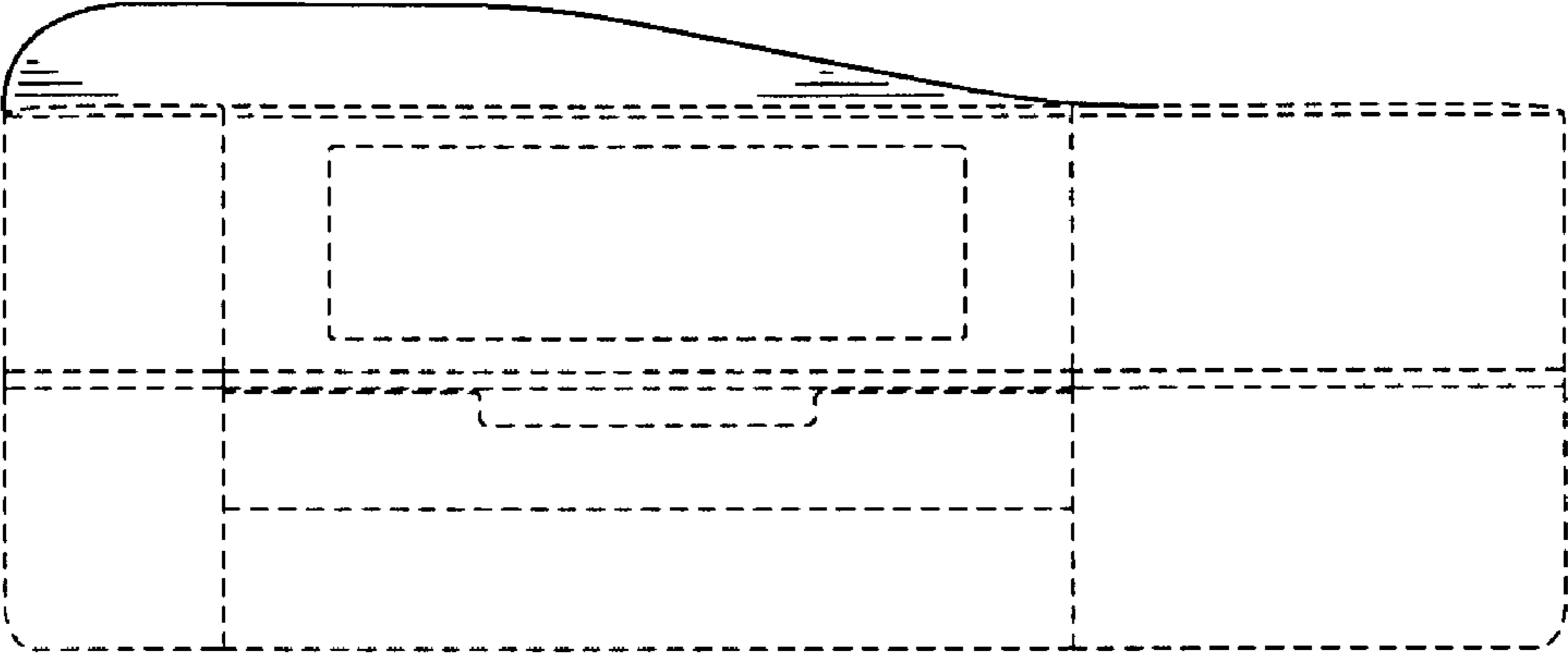


FIG. 2

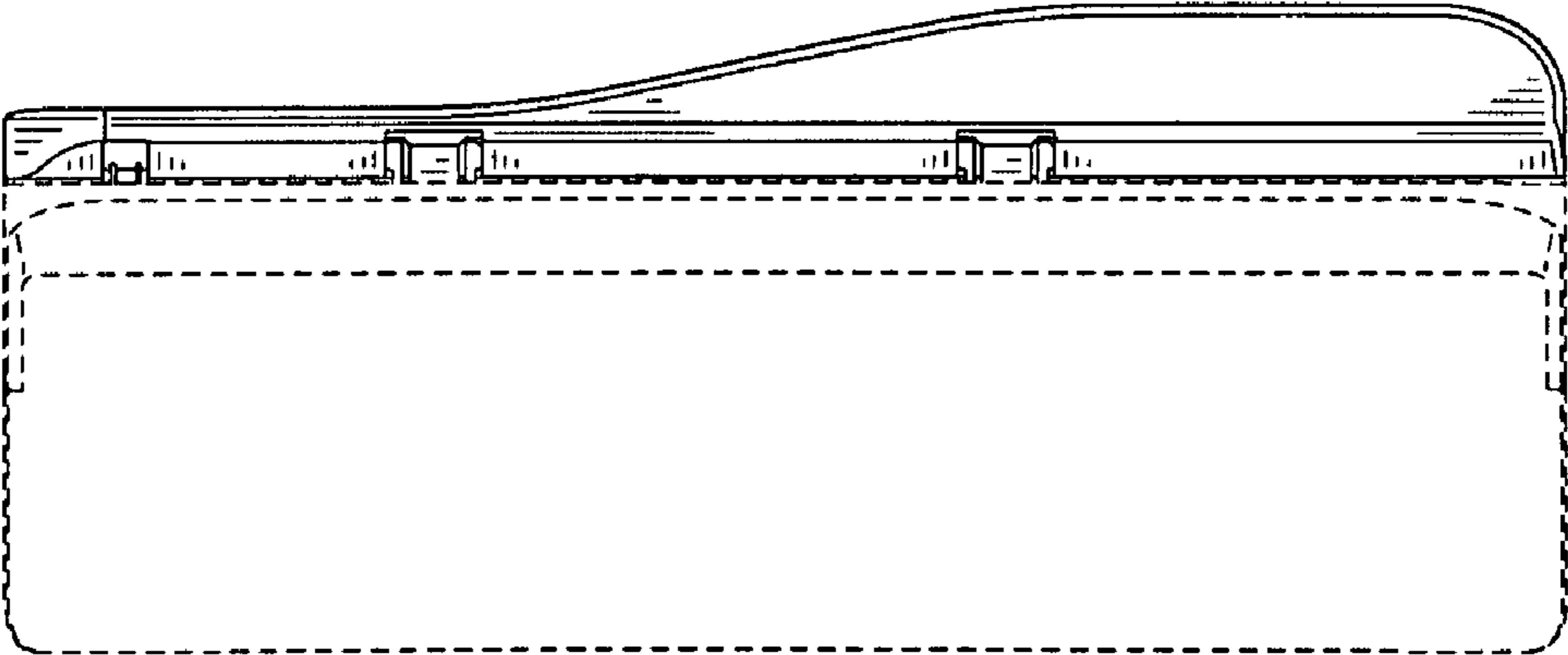


FIG. 3

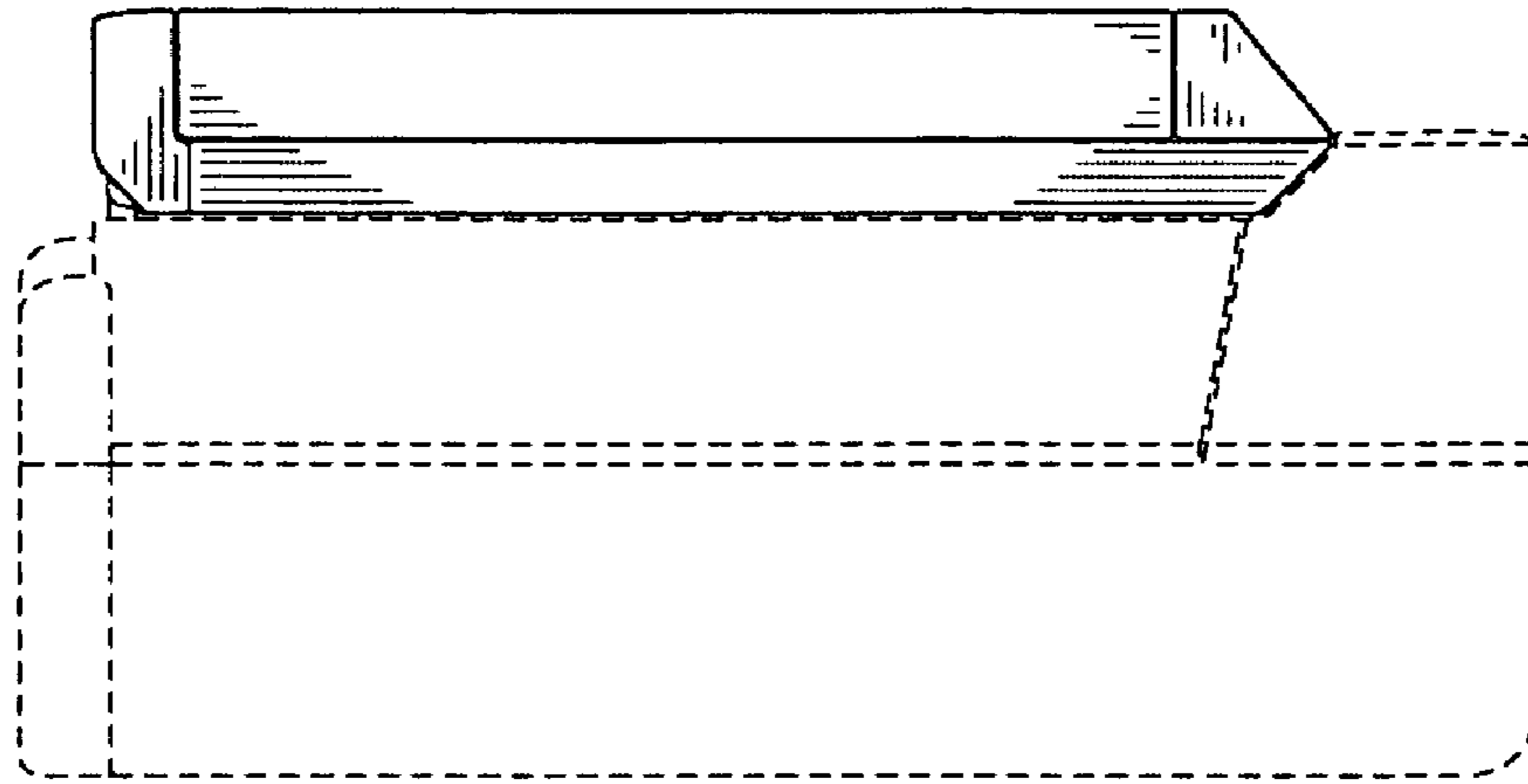


FIG. 4

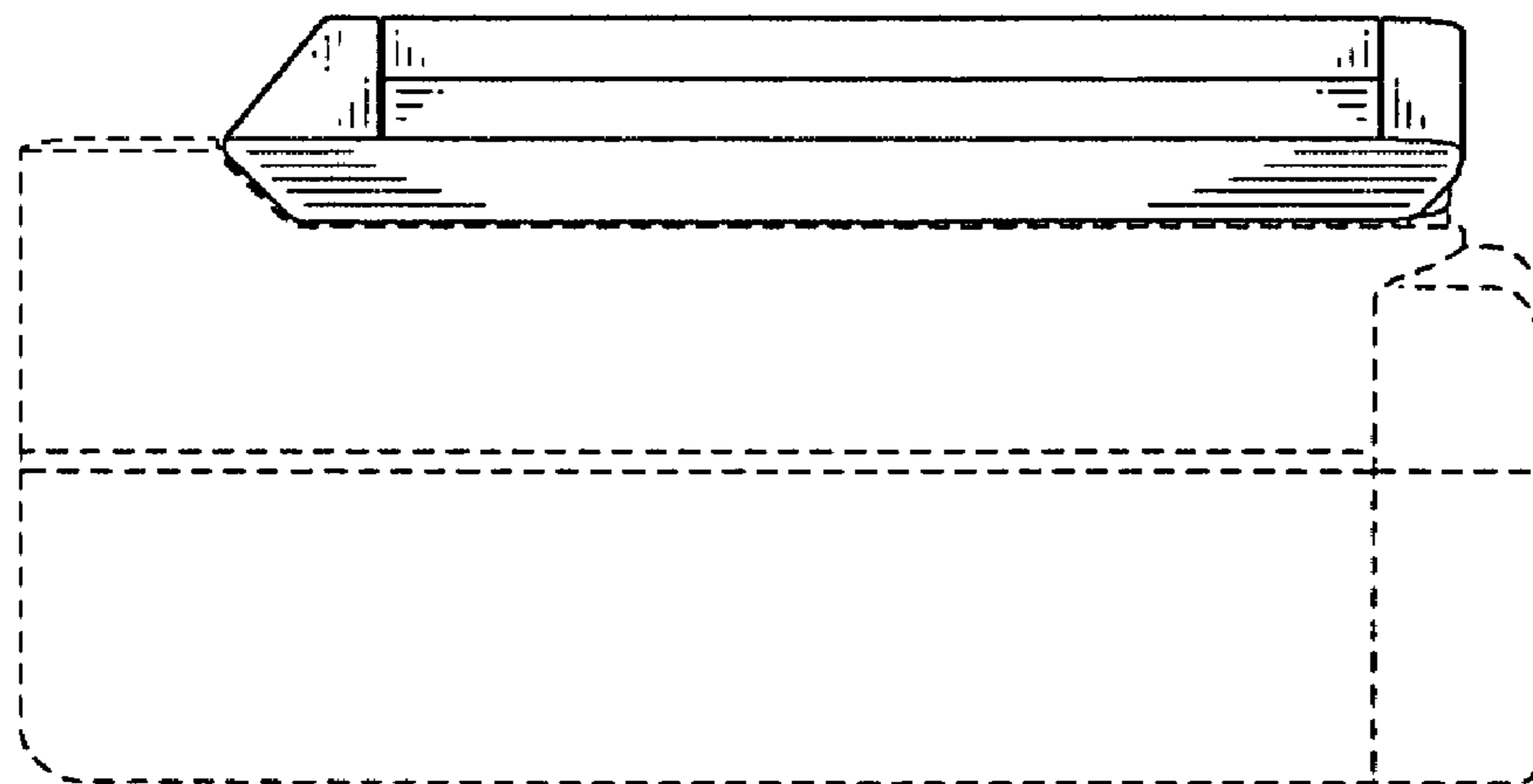


FIG. 5

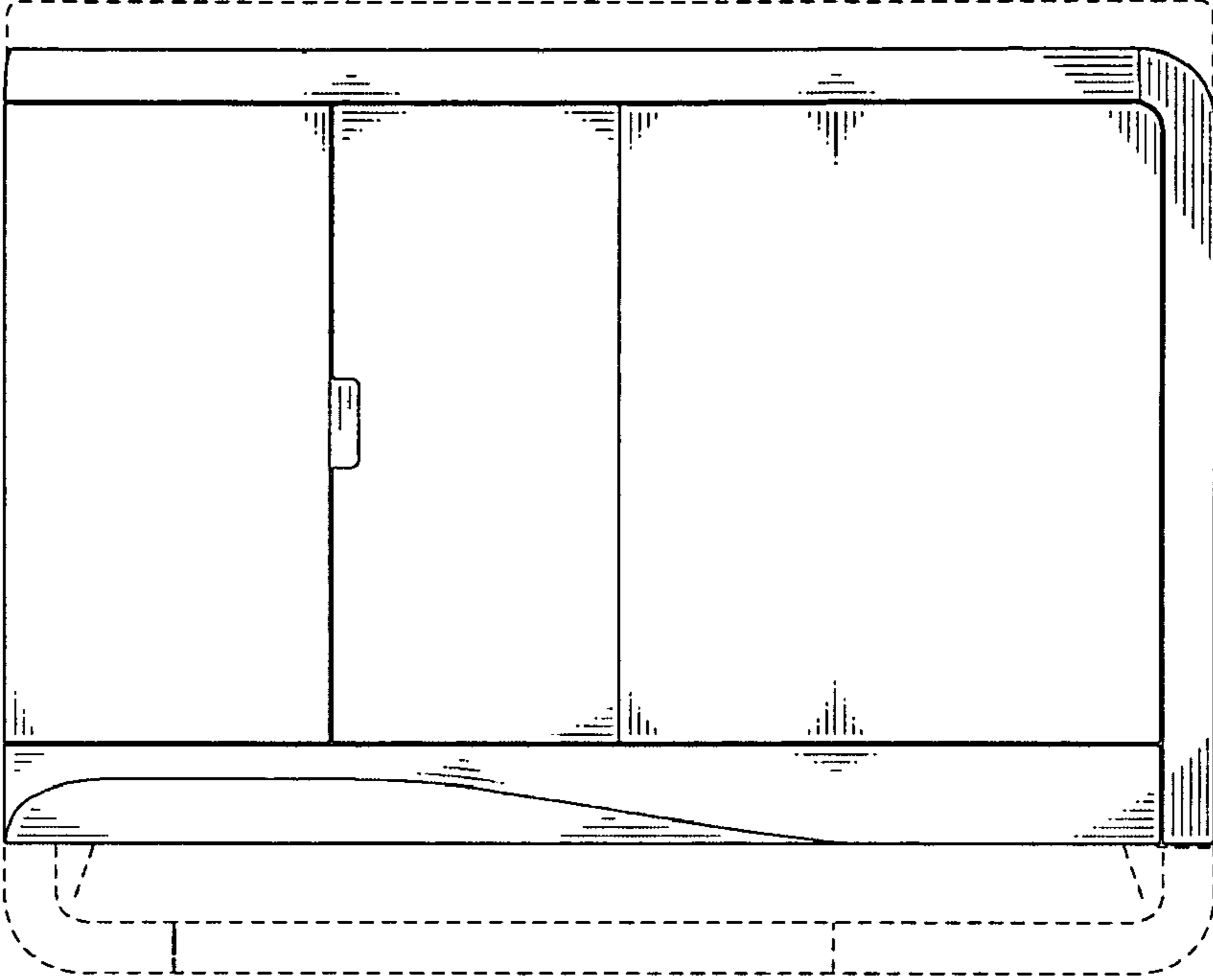


FIG. 6

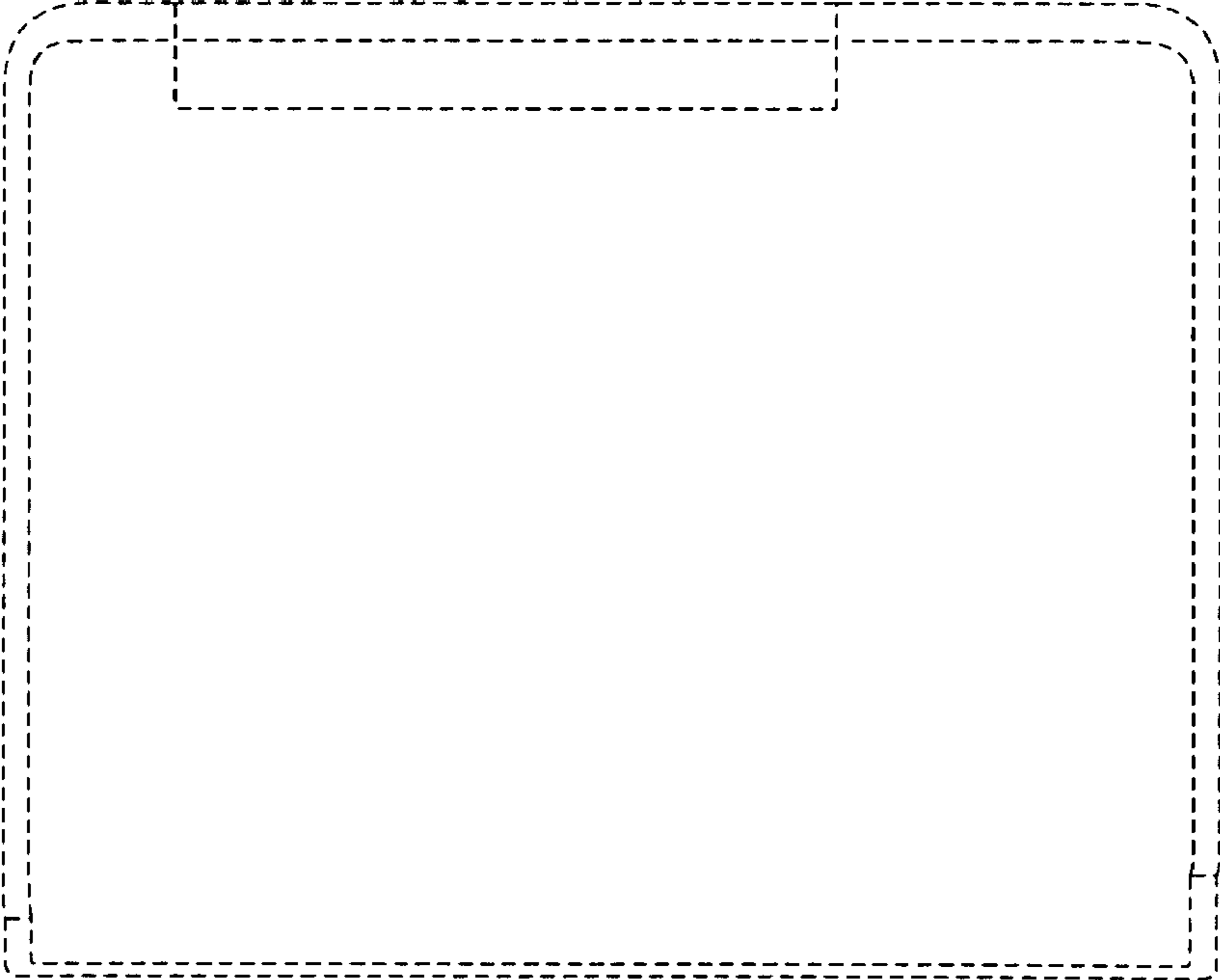


FIG. 7

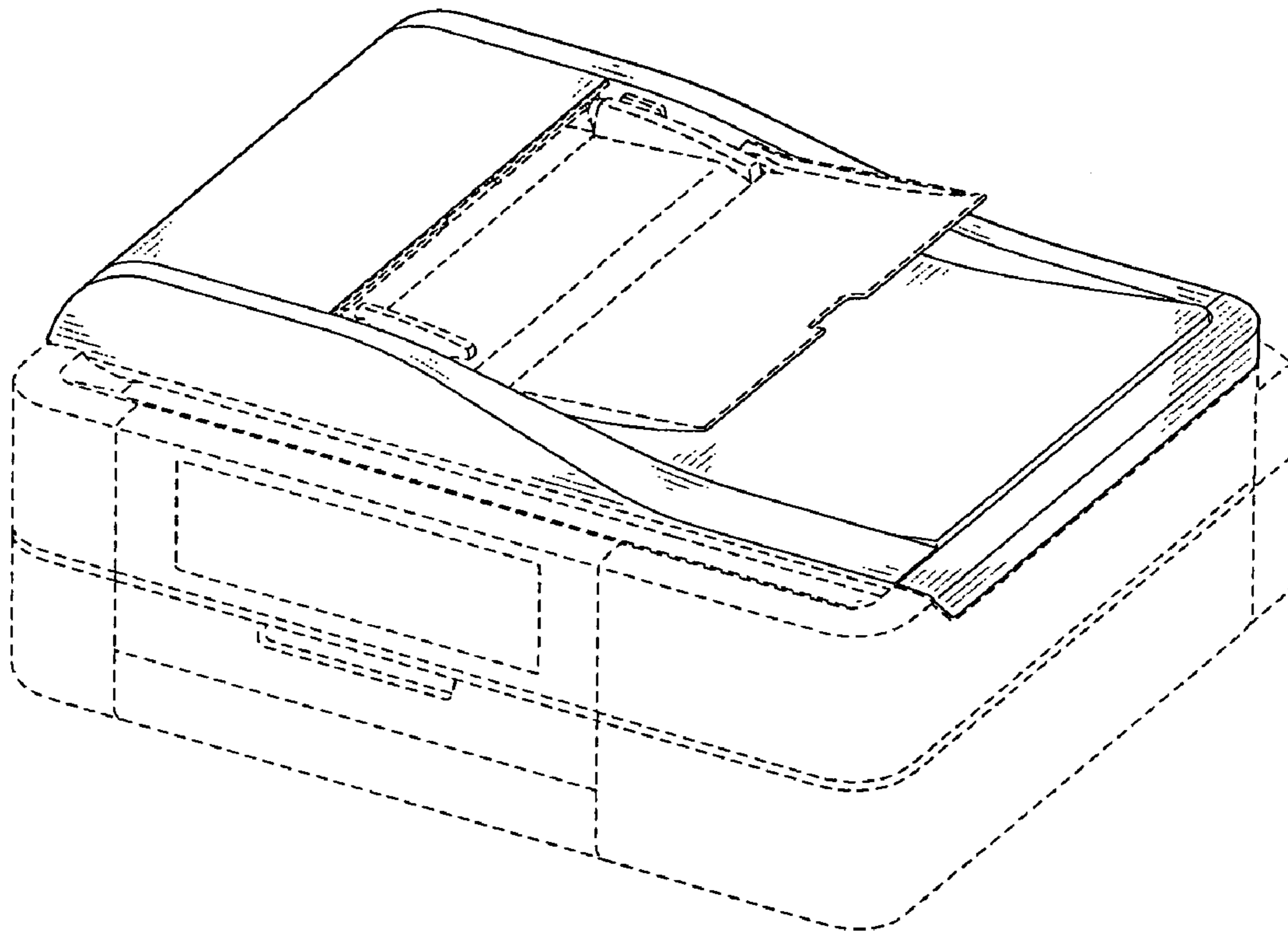


FIG. 8