



US00D605217S

(12) **United States Design Patent**  
**Kobre**

(10) **Patent No.:** **US D605,217 S**  
(45) **Date of Patent:** **\*\* Dec. 1, 2009**

(54) **DEVICE FOR REDIRECTING AND REFLECTING LIGHT FROM A CAMERA FLASH**

(76) Inventor: **Kenneth R. Kobre**, 4 McCormick St., San Francisco, CA (US) 94109

(\*\*) Term: **14 Years**

(21) Appl. No.: **29/306,883**

(22) Filed: **Apr. 17, 2008**

(51) **LOC (9) Cl.** ..... **16-05**

(52) **U.S. Cl.** ..... **D16/237; D26/118**

(58) **Field of Classification Search** ..... D16/219, D16/237, 239, 240; D26/118, 119; 362/3, 362/16-18, 322; 396/4, 174, 544  
See application file for complete search history.

(56) **References Cited**

**U.S. PATENT DOCUMENTS**

1,930,315	A *	10/1933	Kobayashi	.....	362/16
2,763,772	A *	9/1956	Hine	.....	362/16
3,479,497	A *	11/1969	Wolff	.....	362/18
4,066,885	A	1/1978	Weinberg		
4,078,170	A	3/1978	Sloop		
4,616,293	A	10/1986	Baliozian		
4,757,425	A	7/1988	Waltz		
D312,471	S *	11/1990	Couch	.....	D16/237
5,251,115	A *	10/1993	Hillman et al.	.....	362/16
5,337,104	A	8/1994	Smith et al.		
5,778,264	A	7/1998	Kean		
D399,862	S *	10/1998	Baliozian	.....	D16/219
5,839,006	A	11/1998	Beckerman		
6,094,545	A	7/2000	Petitjean		
D547,353	S *	7/2007	Couch	.....	D16/239
7,360,909	B1 *	4/2008	Hughes	.....	362/18
D585,587	S *	1/2009	Fan	.....	D26/118

2008/0181598 A1 7/2008 Kobre

**OTHER PUBLICATIONS**

LightSphere-II Inverted Dome Diffusion System; <http://store.garyfonginc.com/iiiido.html>; Apr. 24, 2008; pp. 1-12.

Bounce Kit; <http://www.lumiquest.com>; Apr. 24, 2008; pp. 1-3.

Pocket Bouncer (LQ-101); <http://www.lumiquest.com/lq871.htm>; pp. 1-3.

Big Bounce (LQ-104); <http://www.lumiquest.com/lq881.htm>; pp. 1-2.

Omni-Bounce; <http://www.stofen.com/info/index.htm>; Apr. 24, 2008.

Non-Final Rejection for U.S. Appl. No. 29/306,884, mailed Mar. 18, 2009.

Response After Non-Final Action for U.S. Appl. No. 29/306,884, filed Jun. 18, 2009.

Notice of Allowance and Fee(s) Due, Determination of Patent Term Extension or Adjustment, and Notice of Allowability for a Design Application for U.S. Appl. No. 29/306,884, mailed Jul. 27, 2009.

\* cited by examiner

*Primary Examiner*—Adir Aronovich

(74) *Attorney, Agent, or Firm*—Ballard Spahr LLP

(57) **CLAIM**

The ornamental design for a device for redirecting and reflecting light from a camera flash, as shown and described.

**DESCRIPTION**

FIG. 1 is a top perspective view of a device for redirecting and reflecting light from a camera flash showing my new design.

FIG. 2 is a top plan view of the device of FIG. 1.

FIG. 3 is a bottom plan view of the device of FIG. 1.

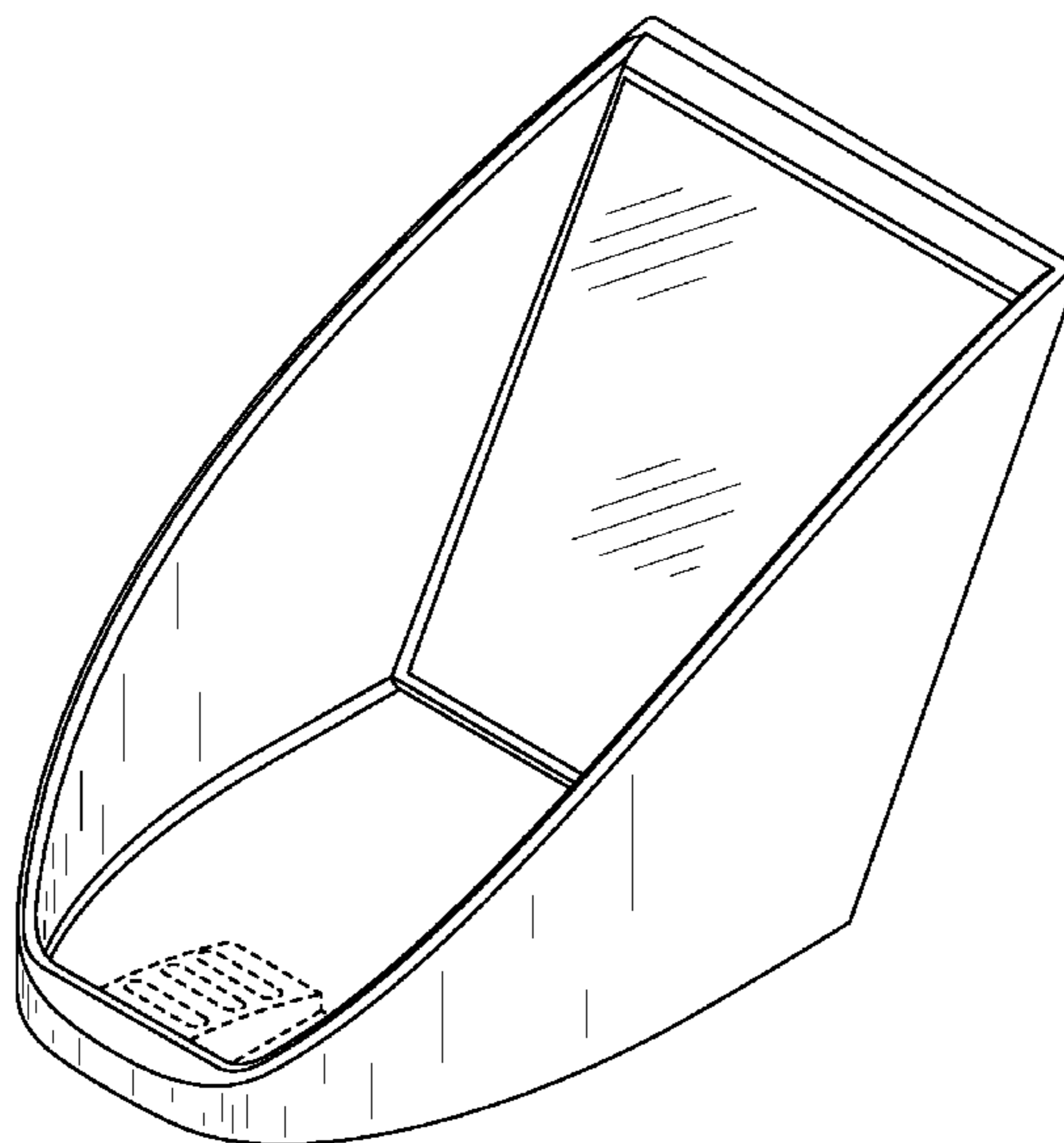
FIG. 4 is a right side elevational view of the device of FIG. 1, the undisclosed left side being a mirror image thereof.

FIG. 5 is a front elevational view of the device of FIG. 1; and,

FIG. 6 is a rear elevational view of the device of FIG. 1.

The broken lines shown throughout the figures are for illustrative purposes only and form no part of the claimed design.

**1 Claim, 4 Drawing Sheets**



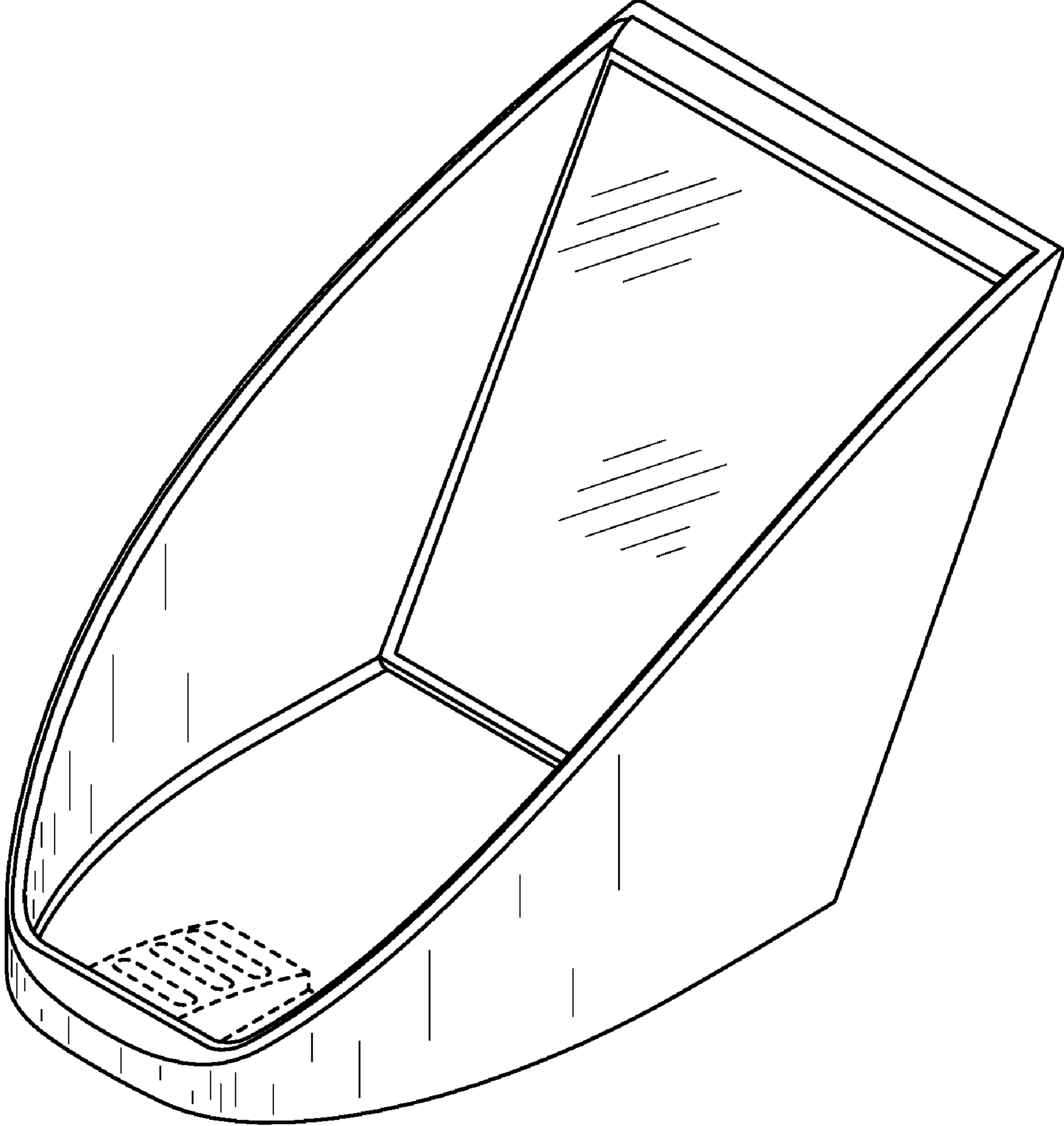


FIG. 1

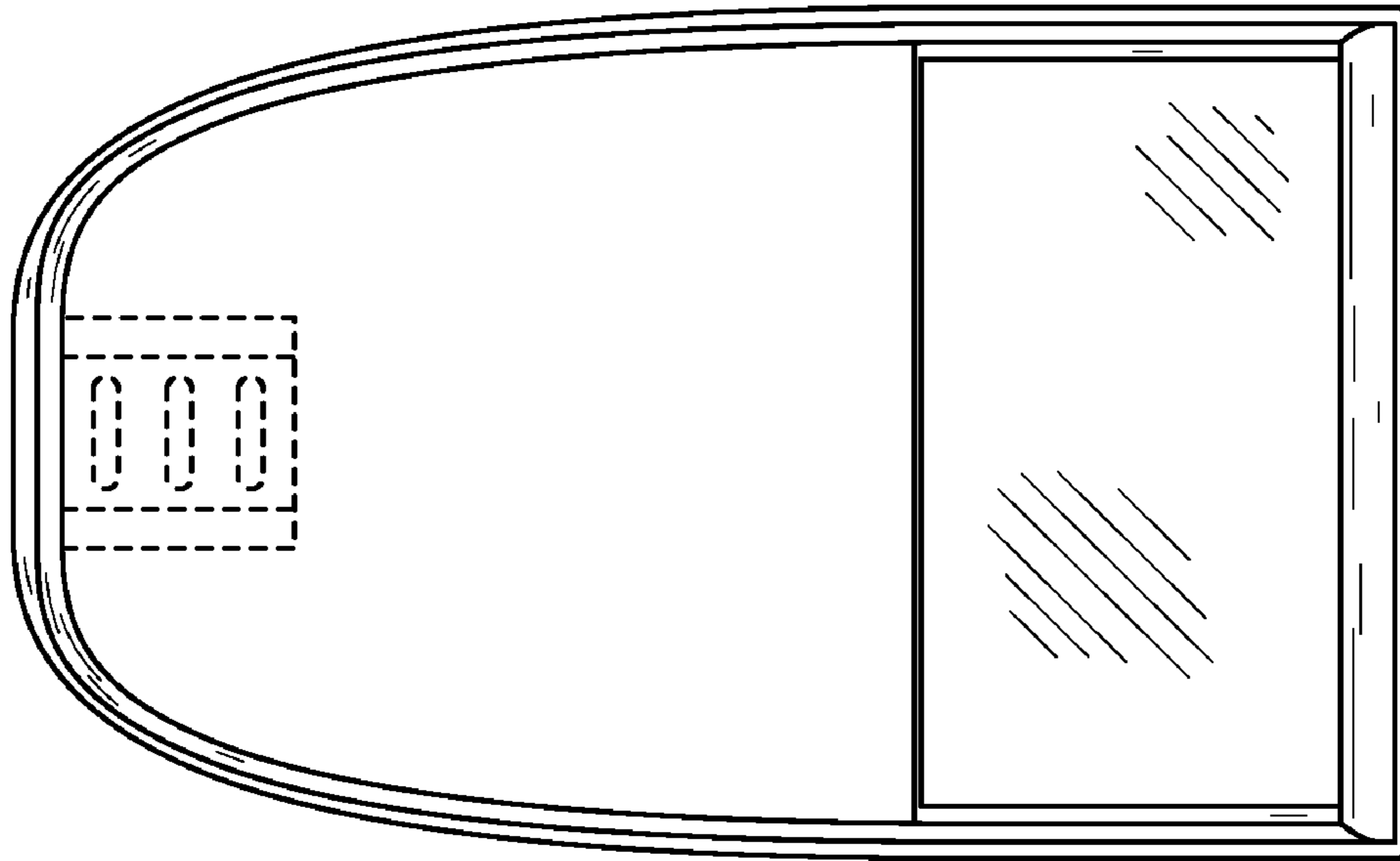


FIG. 2

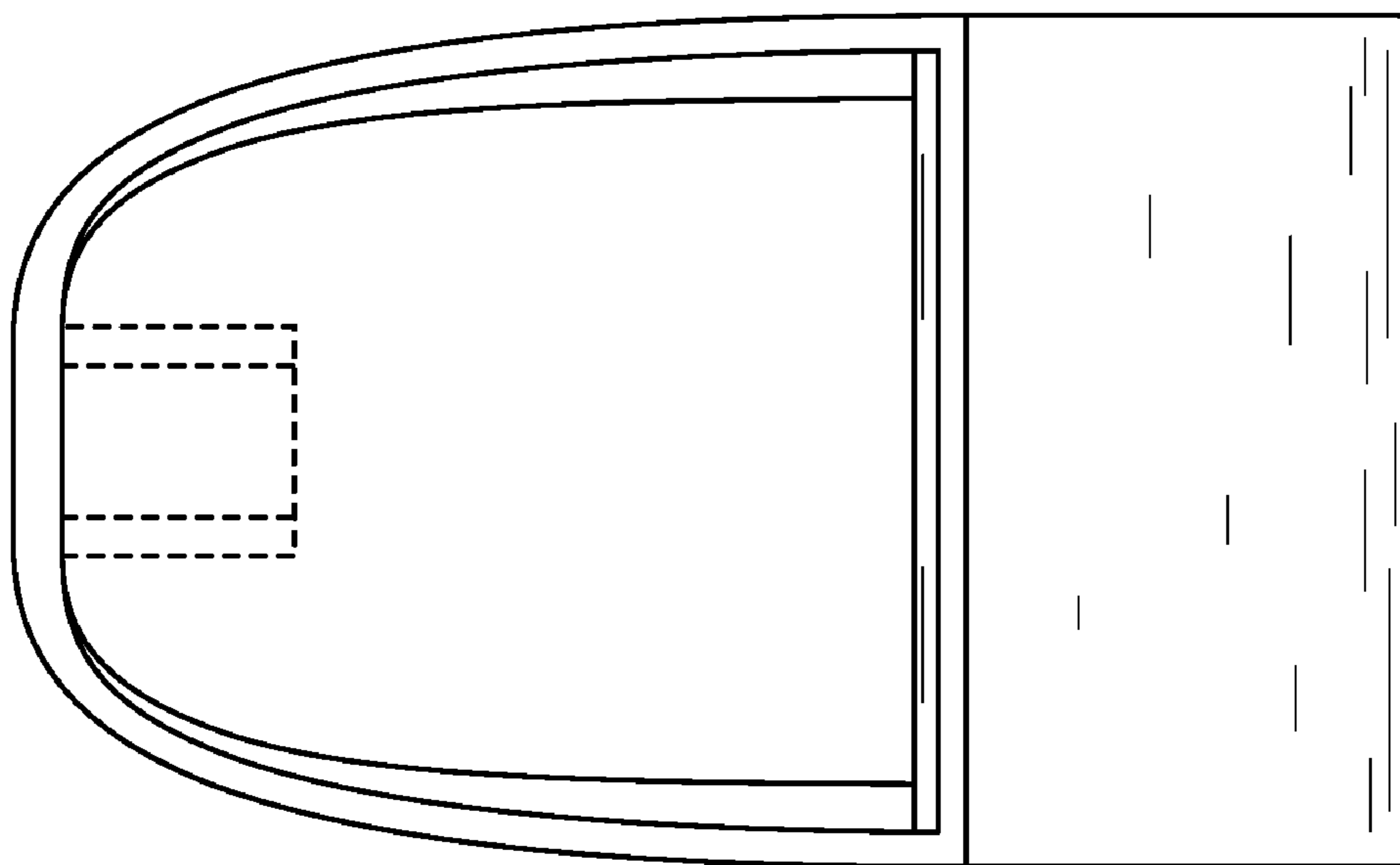


FIG. 3

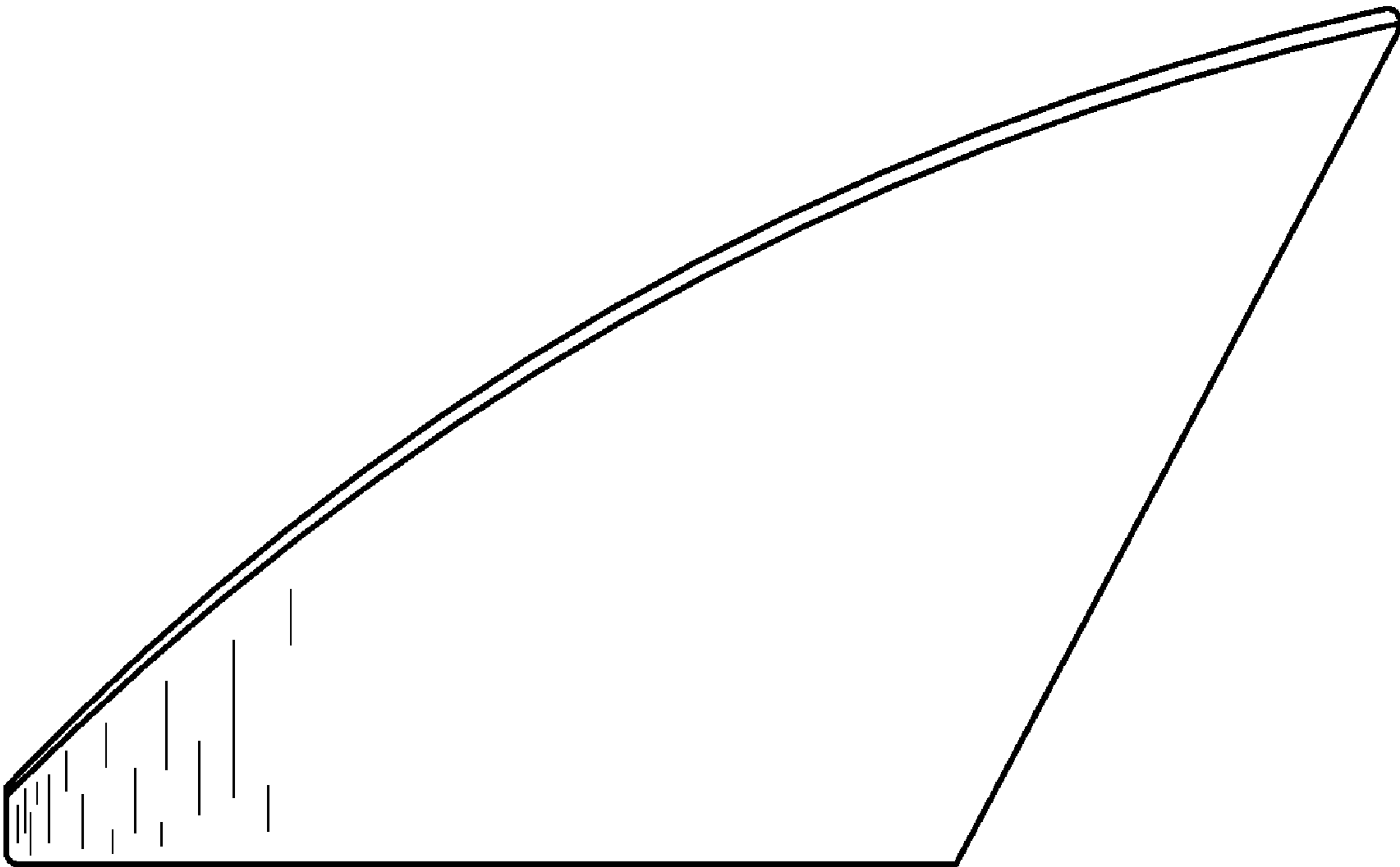


FIG. 4

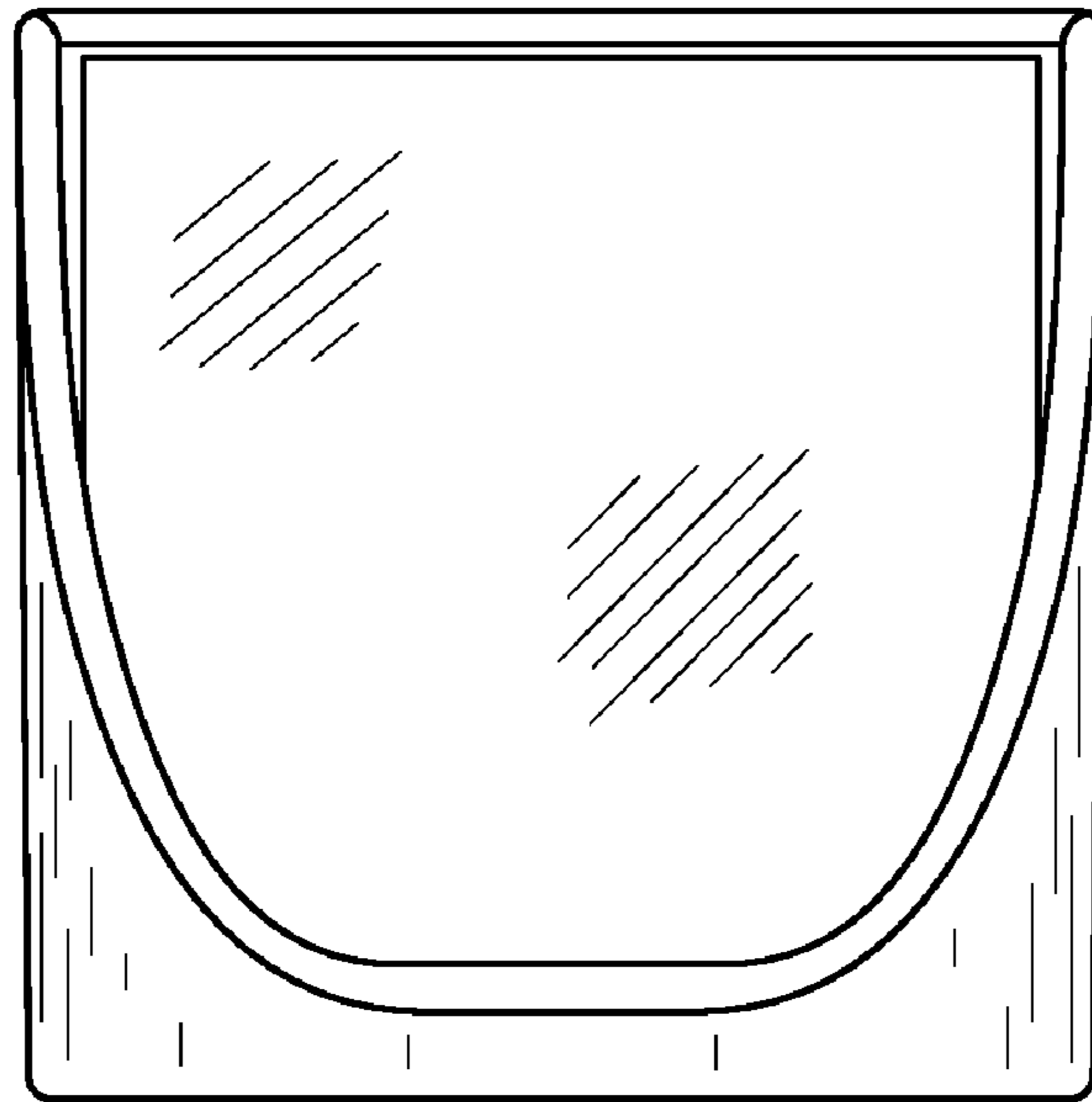


FIG. 5

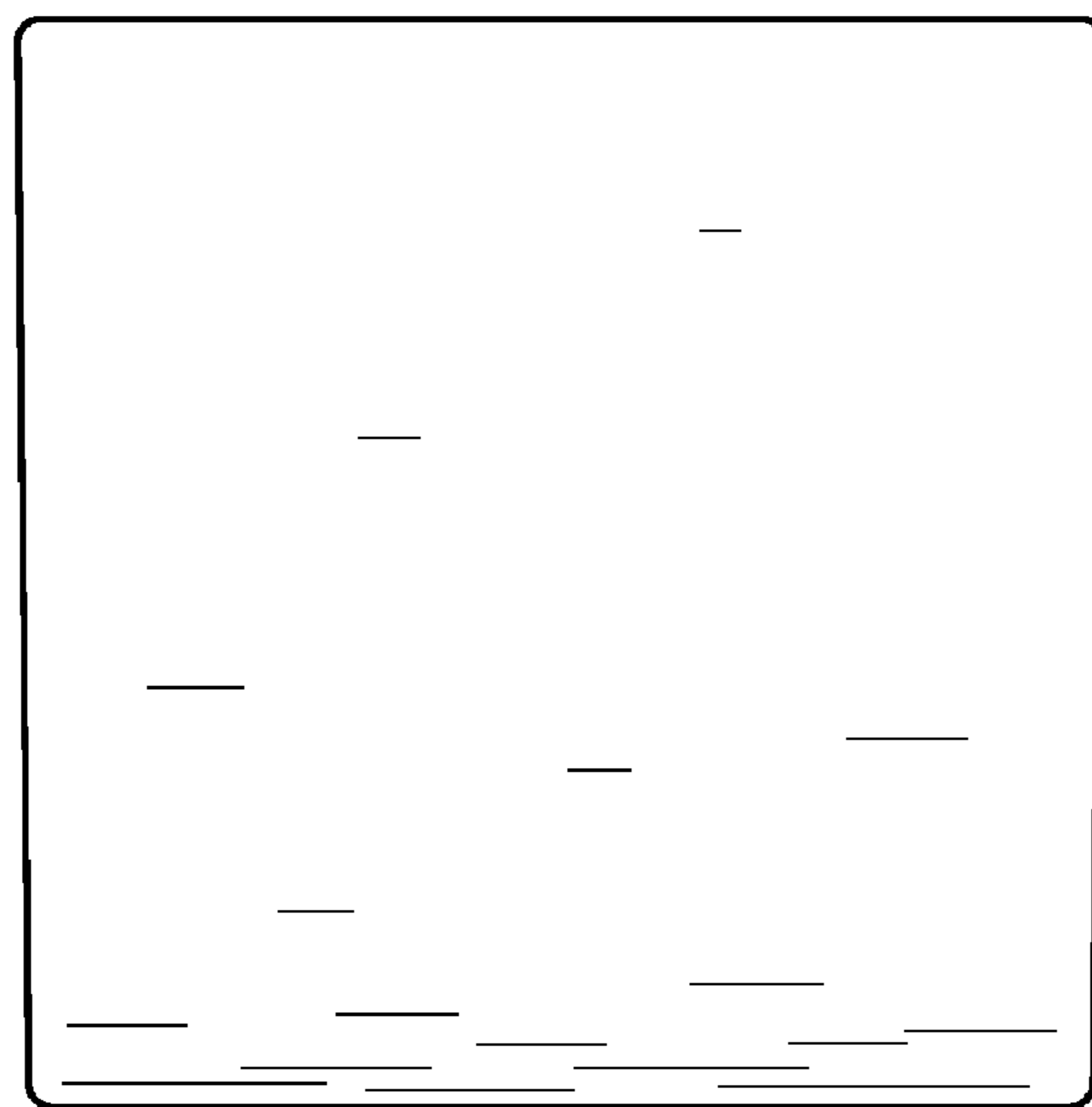


FIG. 6