



US00D605216S

(12) **United States Design Patent**
Nakano

(10) **Patent No.:** **US D605,216 S**
(45) **Date of Patent:** **** Dec. 1, 2009**

(54) **LAMP FOR PROJECTOR**

(75) Inventor: **Kiyotaka Nakano**, Azumino (JP)

(73) Assignee: **Seiko Epson Corporation**, Tokyo (JP)

(**) Term: **14 Years**

(21) Appl. No.: **29/329,036**

(22) Filed: **Dec. 8, 2008**

(30) **Foreign Application Priority Data**

Jul. 31, 2008 (JP) 2008-019716

(51) **LOC (9) Cl.** **16-02**

(52) **U.S. Cl.** **D16/235**

(58) **Field of Classification Search** D16/221,
D16/225, 235-237; D26/1, 24, 28, 36; 352/198,
352/203; 353/85, 87, 97-98, 119; 362/294,
362/227, 368, 430

See application file for complete search history.

(56) **References Cited**

U.S. PATENT DOCUMENTS

- 7,052,147 B2 * 5/2006 Katsuma et al. 353/119
- 7,104,654 B2 * 9/2006 Tamaru et al. 353/85
- 7,210,825 B2 * 5/2007 Watanabe et al. 362/373
- 7,241,029 B2 * 7/2007 Tsai 362/277
- D558,252 S * 12/2007 Matsumiya et al. D16/221
- D561,232 S * 2/2008 Nishizawa et al. D16/235
- D574,408 S * 8/2008 Kobayashi et al. D16/235
- D582,466 S * 12/2008 Nakano D16/235

- D583,849 S * 12/2008 Uchida D16/235
- D584,328 S * 1/2009 Sasaki D16/235
- D589,997 S * 4/2009 Hieda et al. D16/235
- D591,322 S * 4/2009 Nagumo D16/235
- 2007/0121083 A1 * 5/2007 Iinuma et al. 353/85

* cited by examiner

Primary Examiner—Stella M Reid

Assistant Examiner—Wan Laymon

(74) *Attorney, Agent, or Firm*—Oliff & Berridge, PLC

(57) **CLAIM**

The ornamental design for a lamp for projector, as shown and described.

DESCRIPTION

FIG. 1 is a front, top and right-side perspective view of a lamp for projector;

FIG. 2 is a rear, top and left-side perspective view thereof;

FIG. 3 is a front view thereof;

FIG. 4 is a rear view thereof;

FIG. 5 is a left-side view thereof;

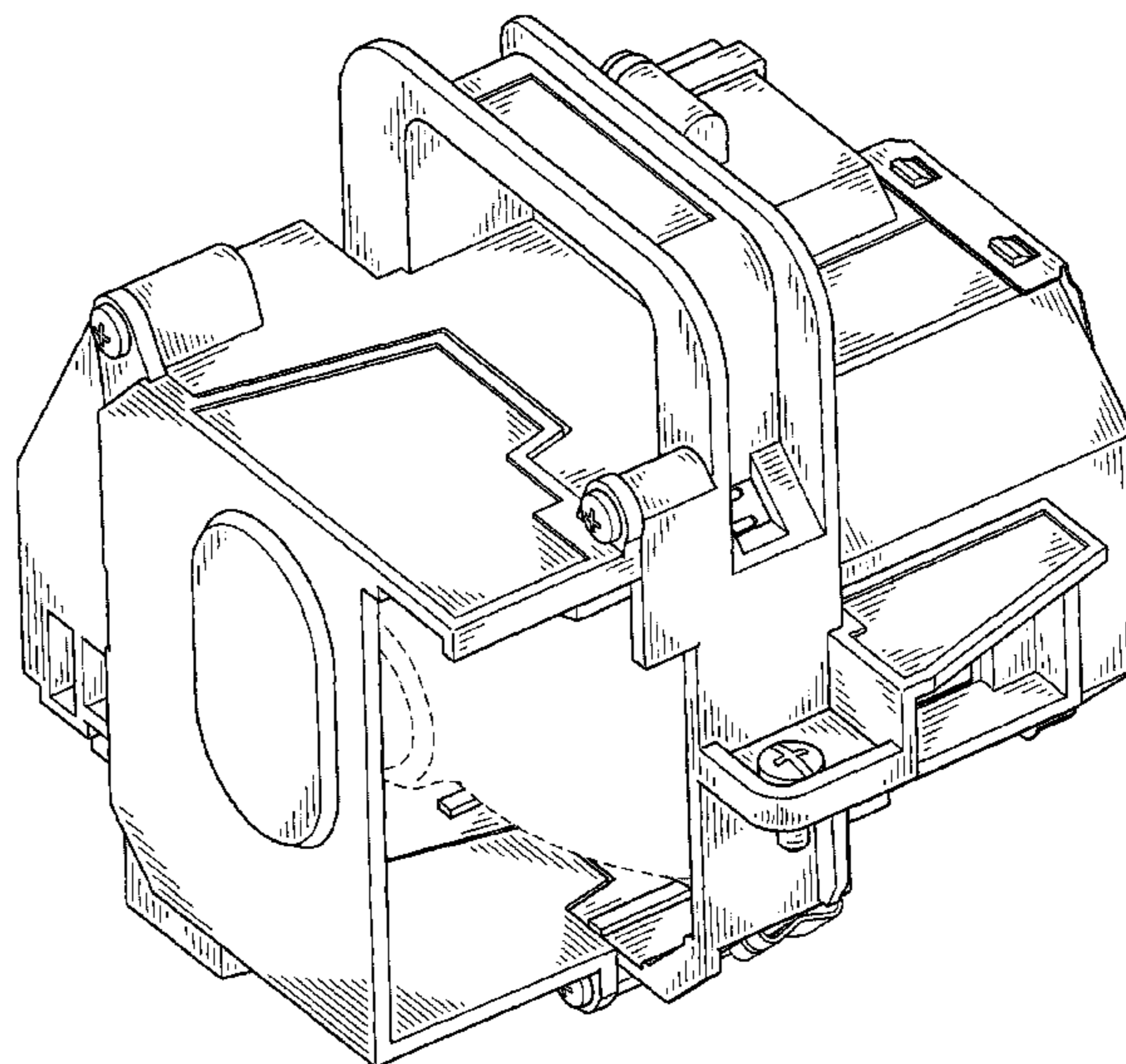
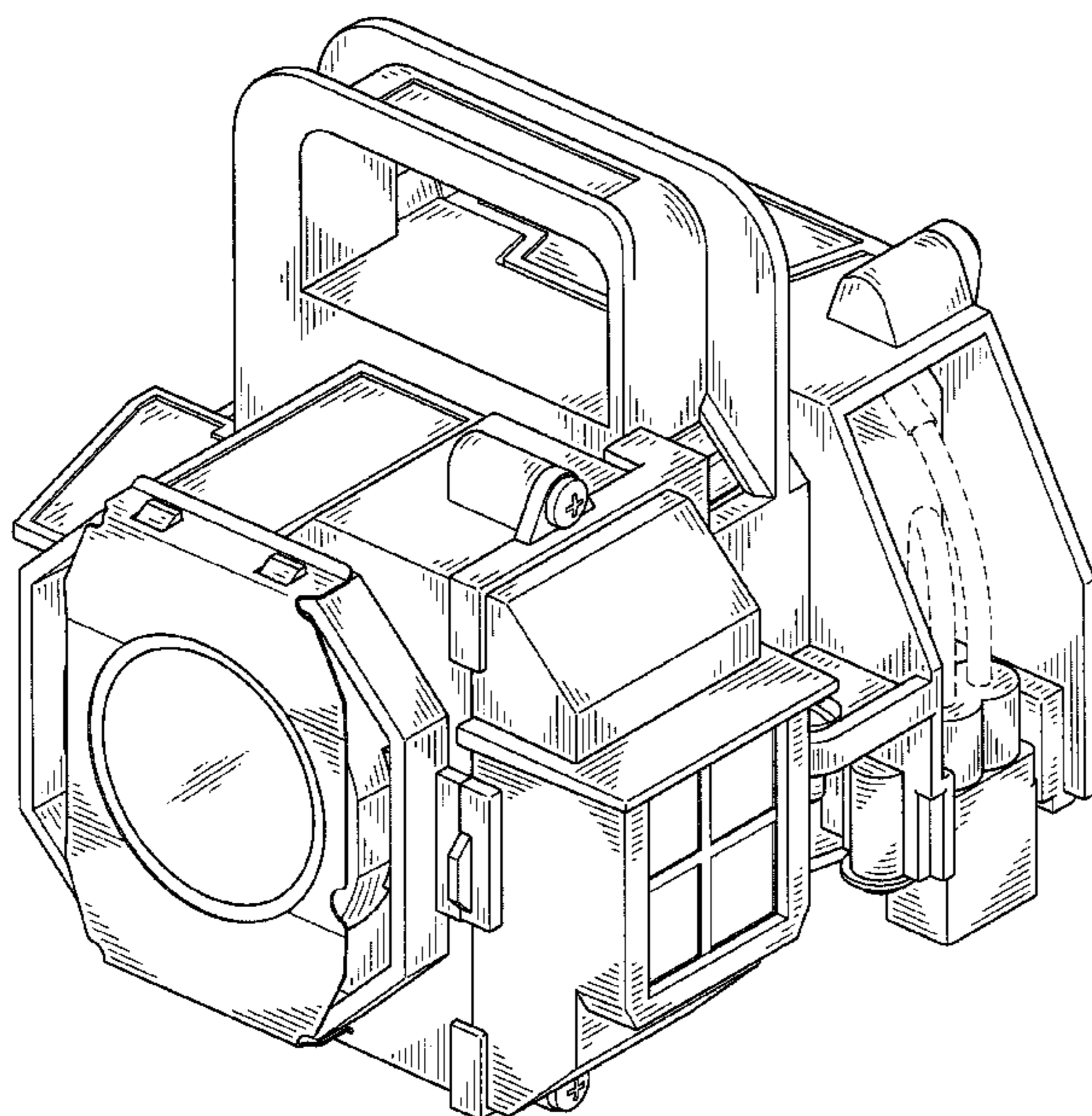
FIG. 6 is a right-side view thereof;

FIG. 7 is a top view thereof; and,

FIG. 8 is a bottom view thereof.

The broken line showing portions of a lamp for projector is included for the purpose of illustrating environmental structure only and forms no part of the claimed design.

1 Claim, 8 Drawing Sheets



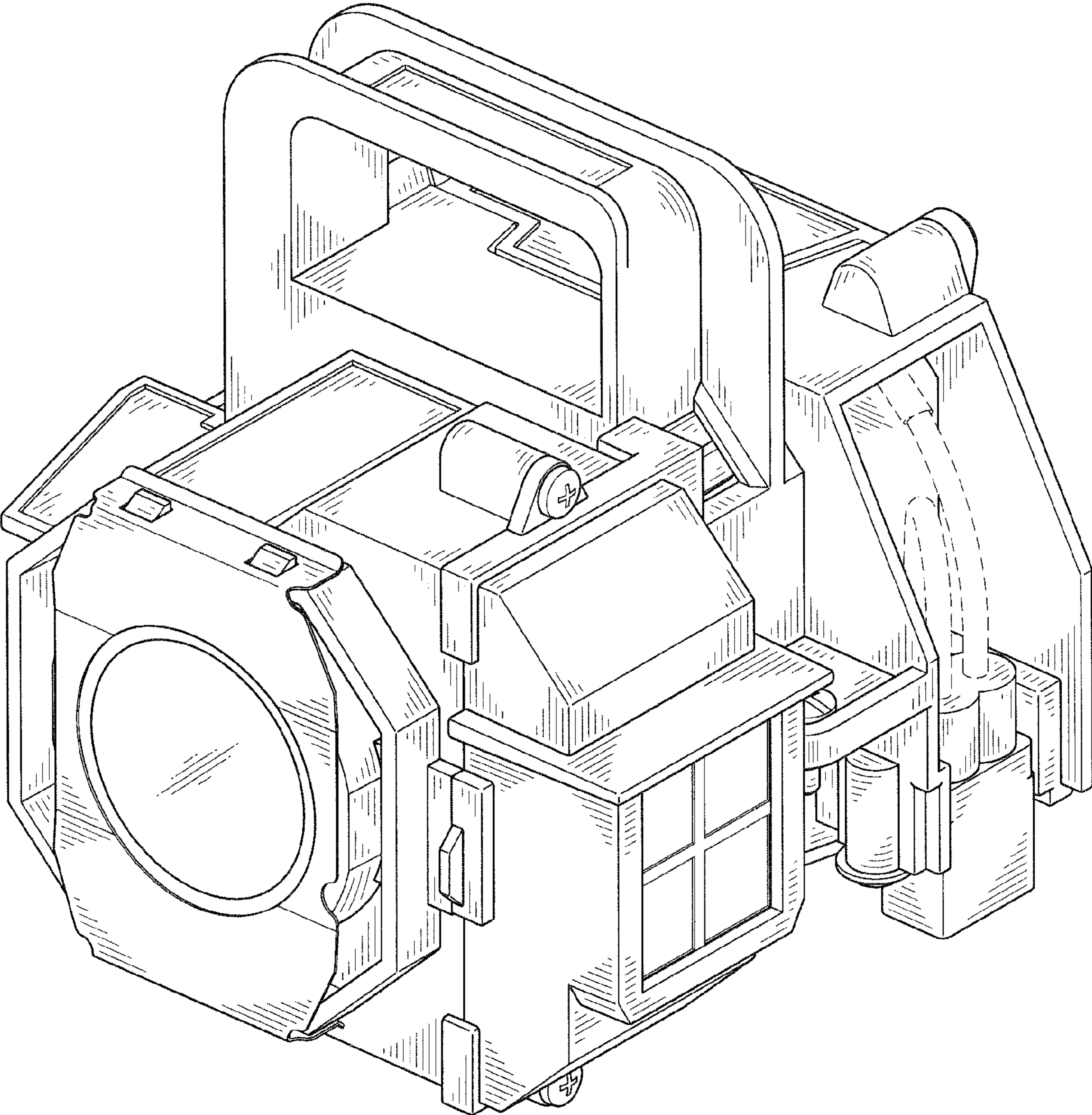


FIG. 1

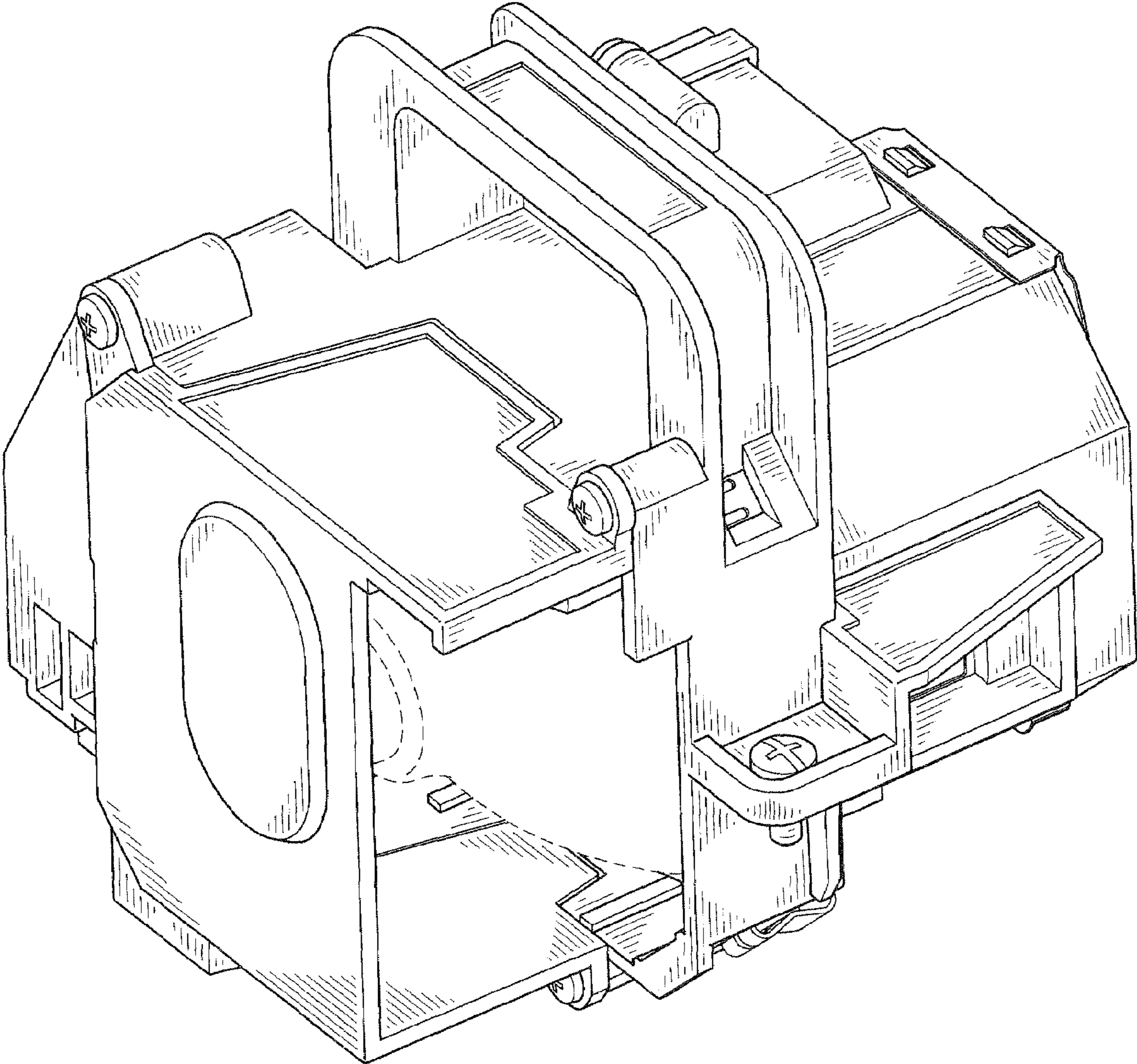


FIG. 2

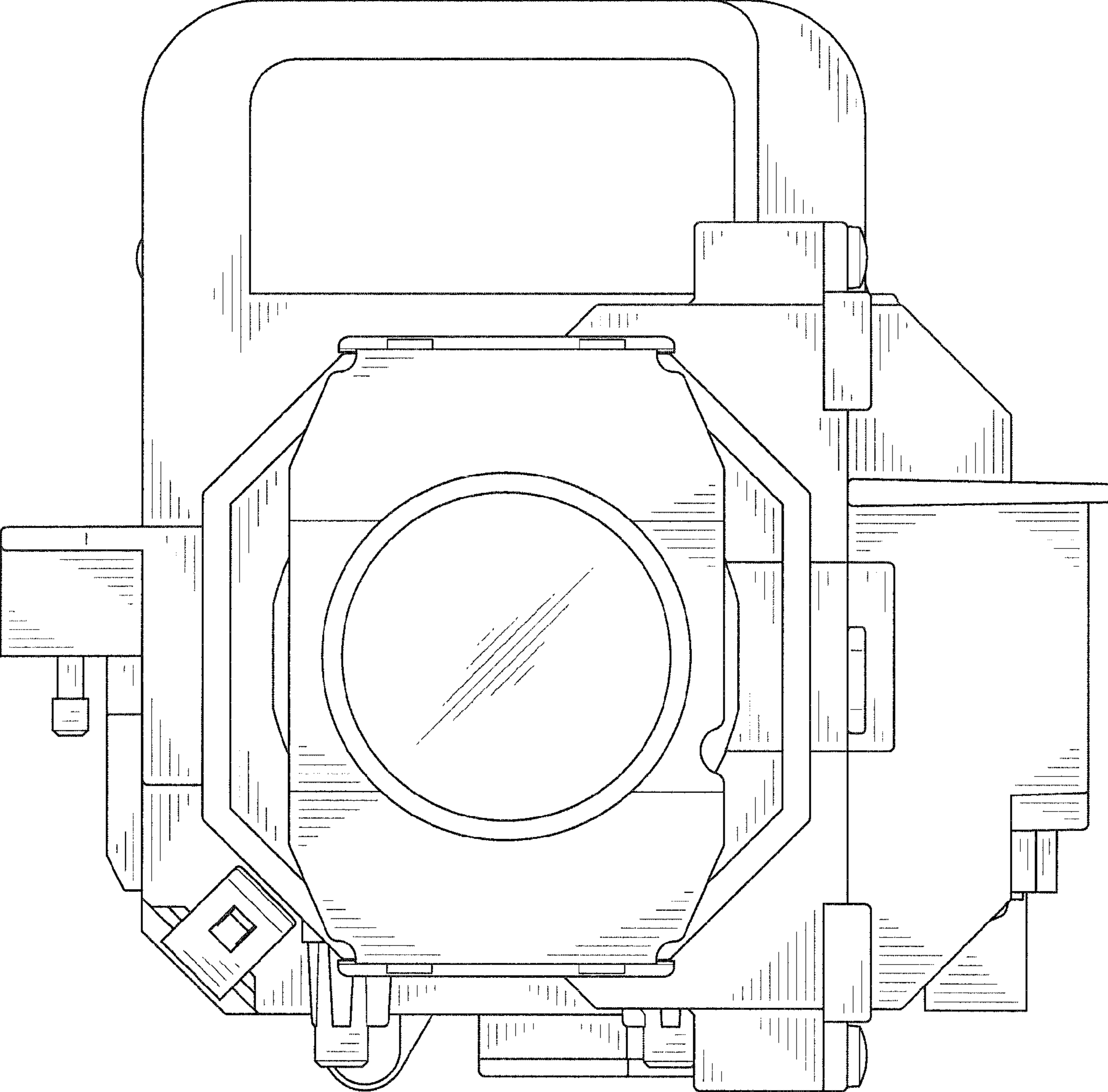


FIG. 3

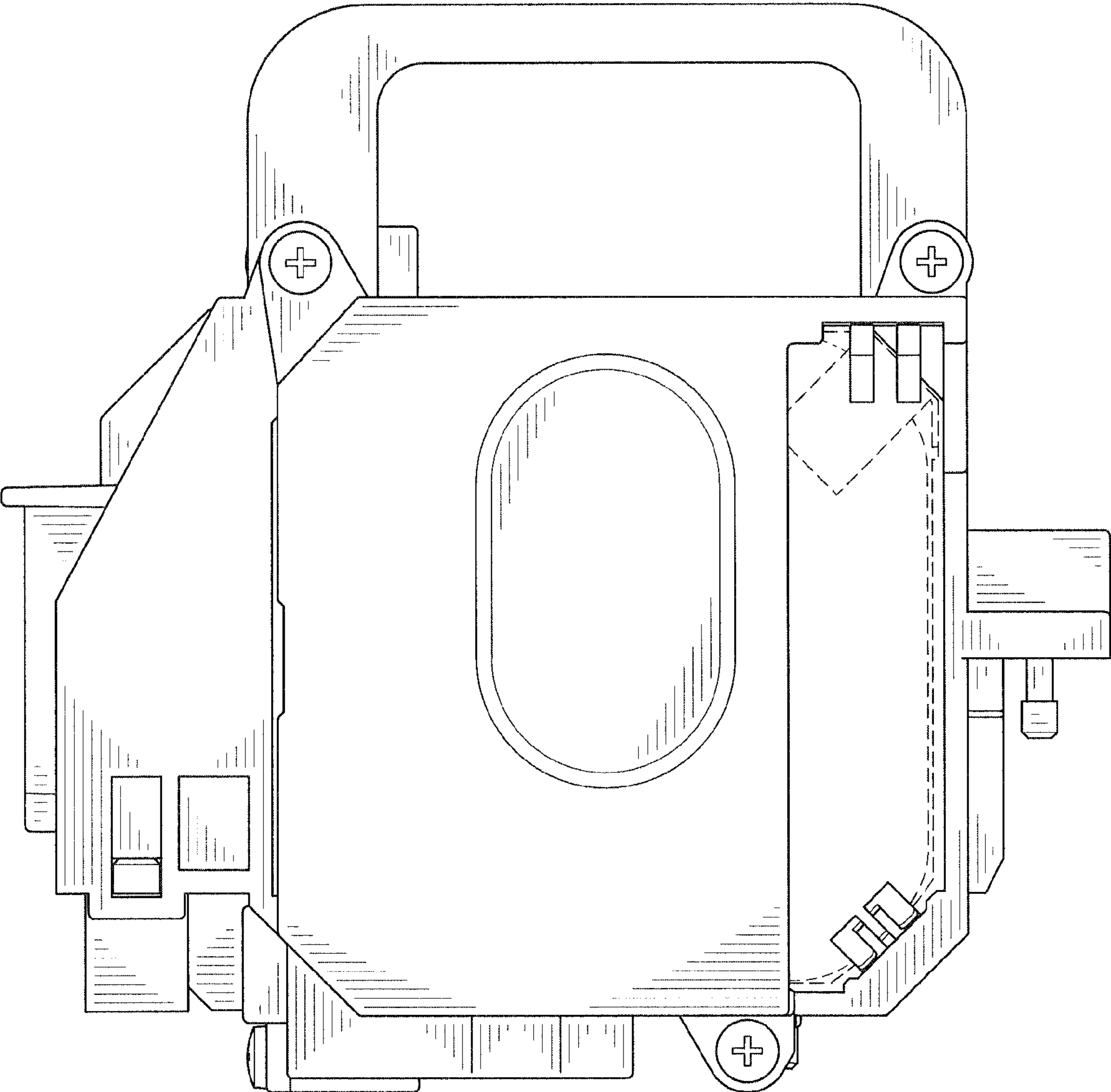


FIG. 4

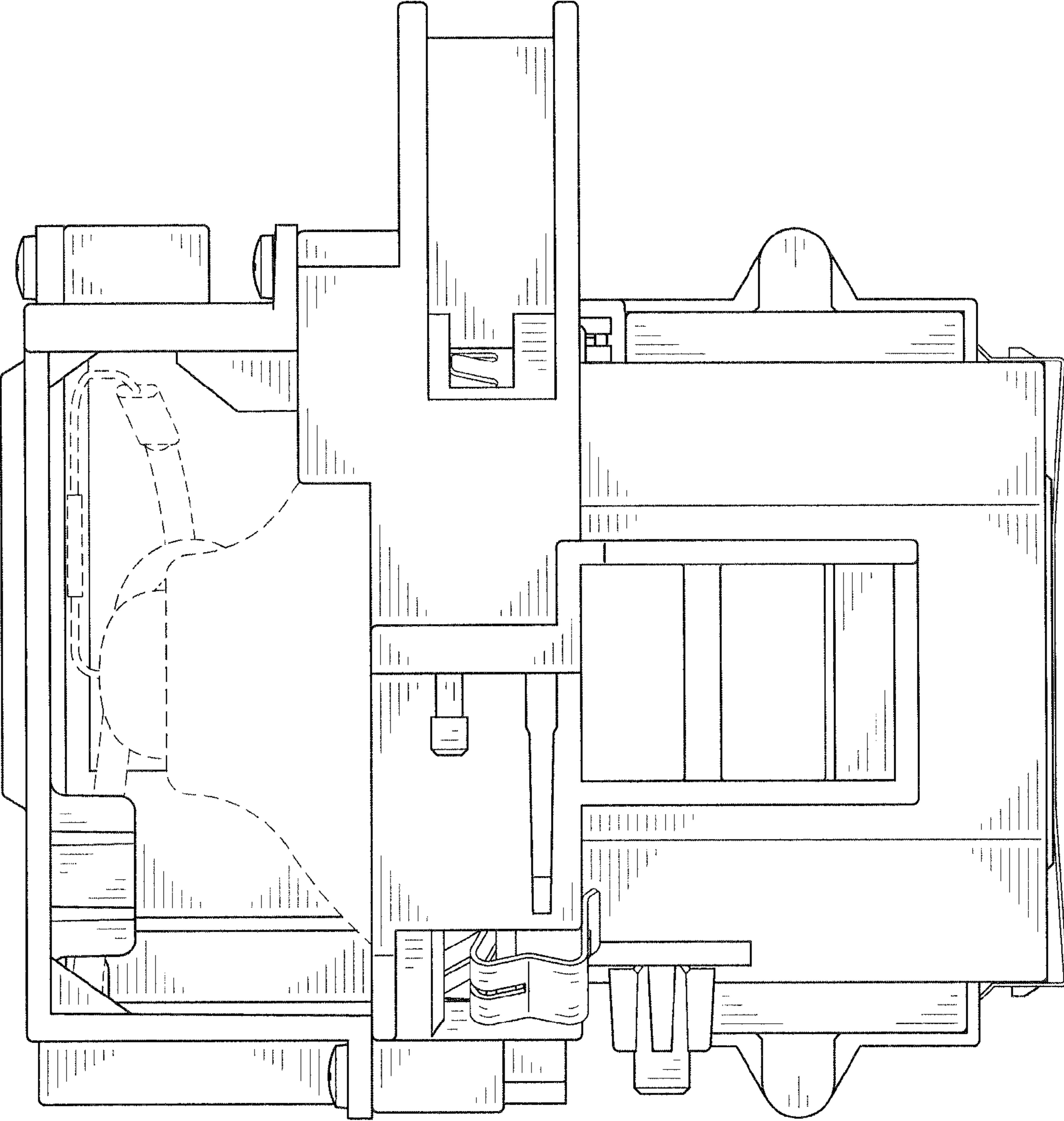


FIG. 5

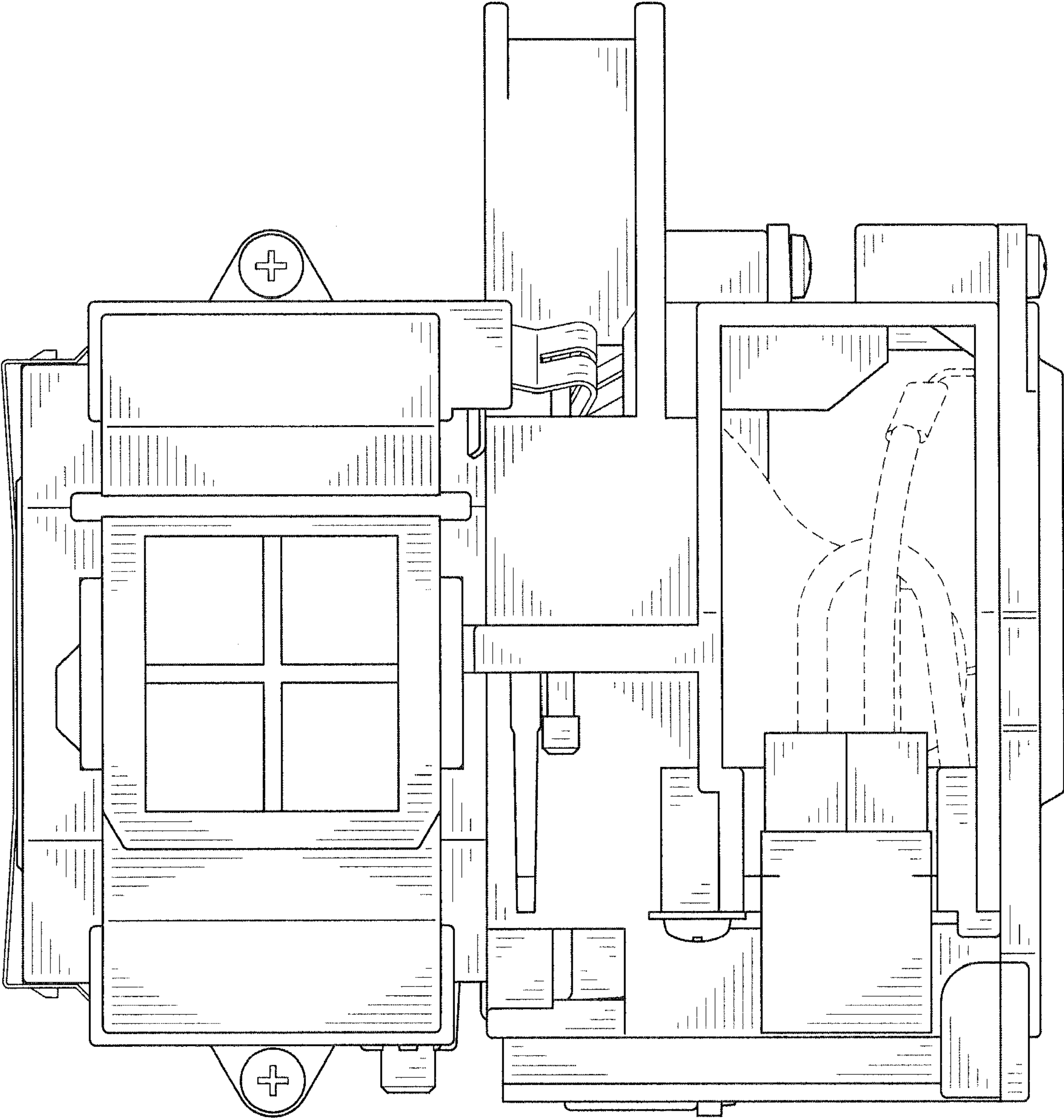


FIG. 6

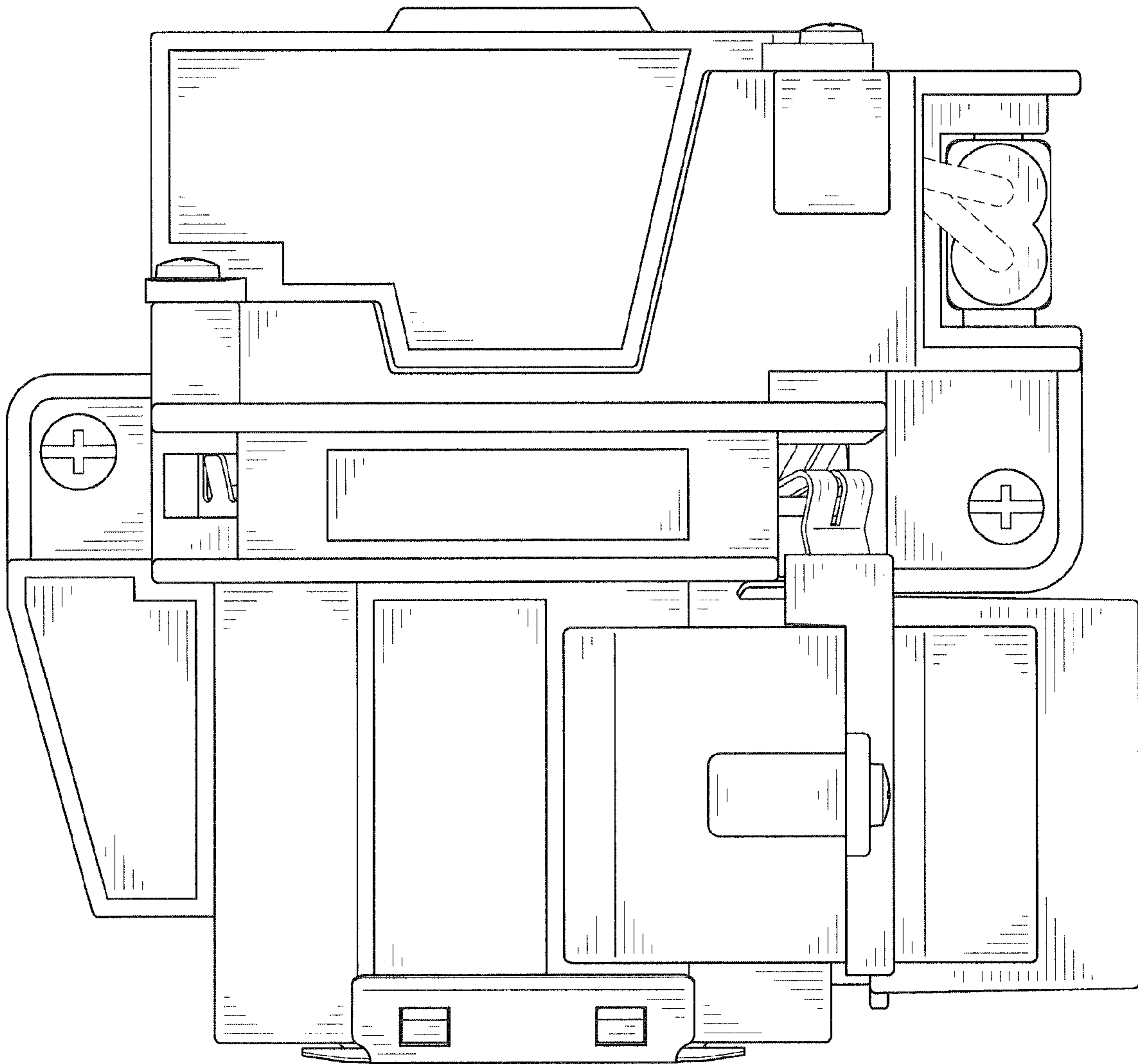


FIG. 7

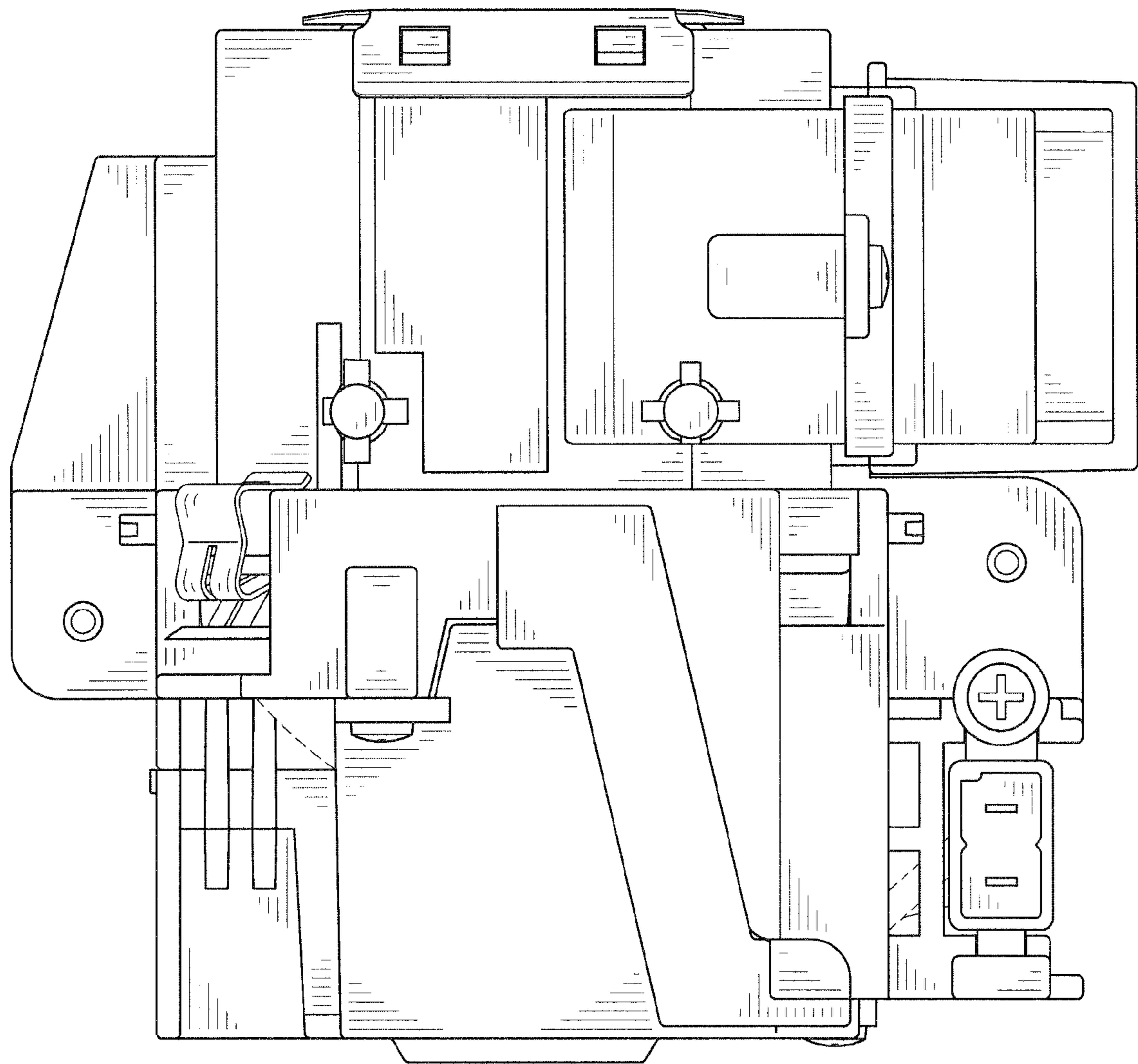


FIG. 8