



US00D605215S

(12) **United States Design Patent**  
**Azuma**

(10) **Patent No.:** **US D605,215 S**  
(45) **Date of Patent:** **\*\* \*Dec. 1, 2009**

(54) **VIDEO PROJECTOR**

(75) Inventor: **Sadayoshi Azuma**, Kyoto (JP)

(73) Assignee: **Panasonic Corporation**, Osaka (JP)

(\*\*) Term: **14 Years**

(21) Appl. No.: **29/325,057**

(22) Filed: **Sep. 25, 2008**

(30) **Foreign Application Priority Data**

Apr. 11, 2008 (JP) ..... 2008-009312

(51) **LOC (9) Cl.** ..... **16-02**

(52) **U.S. Cl.** ..... **D16/230**

(58) **Field of Classification Search** ..... D16/200,  
D16/205, 208, 221, 225, 230-231, 234; D21/514;  
353/115, 119, 122

See application file for complete search history.

(56) **References Cited**

**U.S. PATENT DOCUMENTS**

- D491,973 S \* 6/2004 Morishita et al. .... D16/230
- 7,070,285 B2 \* 7/2006 Wu ..... 353/97
- D557,726 S \* 12/2007 Sumii ..... D16/230
- D565,630 S \* 4/2008 Morishita ..... D16/230
- D589,074 S \* 3/2009 Lim et al. .... D16/230
- 2008/0117389 A1 \* 5/2008 Hamada ..... 353/119

**FOREIGN PATENT DOCUMENTS**

JP D1255779 11/2005

**OTHER PUBLICATIONS**

Sanyo, Brochure for "Projector — XGA Multimedia Projector LP-XP100L", dated Aug. 2007, 2 pp.

\* cited by examiner

*Primary Examiner*—Ian Simmons

*Assistant Examiner*—Wan Laymon

(74) *Attorney, Agent, or Firm*—Brinks Hofer Gilson & Lione

(57) **CLAIM**

The ornamental design for a video projector, as shown and described.

**DESCRIPTION**

FIG. 1 is a front perspective view of a video projector of the present invention;

FIG. 2 is a front view thereof;

FIG. 3 is a rear view thereof;

FIG. 4 is a first side view thereof;

FIG. 5 is a second side view thereof;

FIG. 6 is a top view thereof;

FIG. 7 is a bottom view thereof; and,

FIG. 8 is a rear perspective view thereof.

**1 Claim, 8 Drawing Sheets**

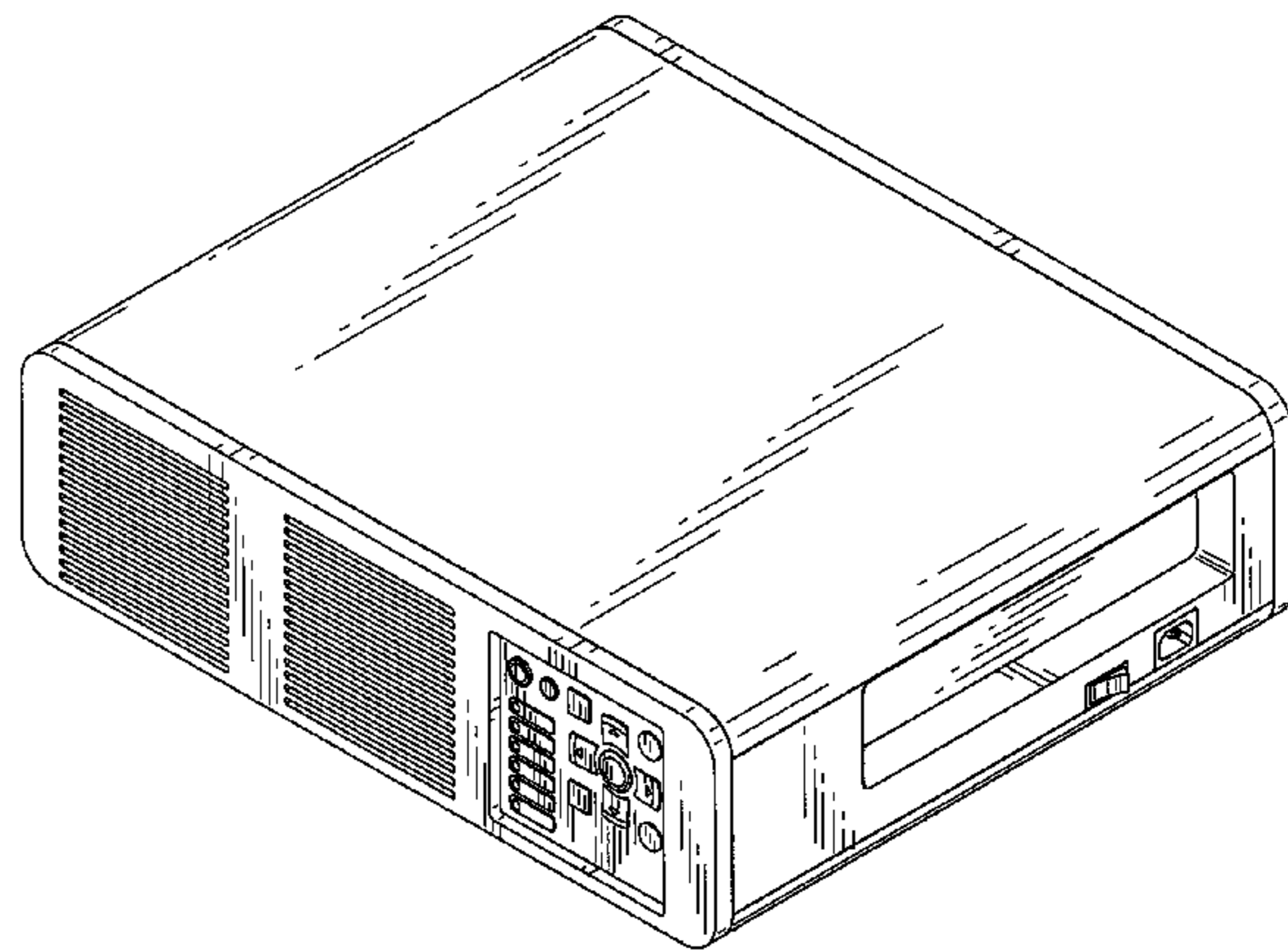
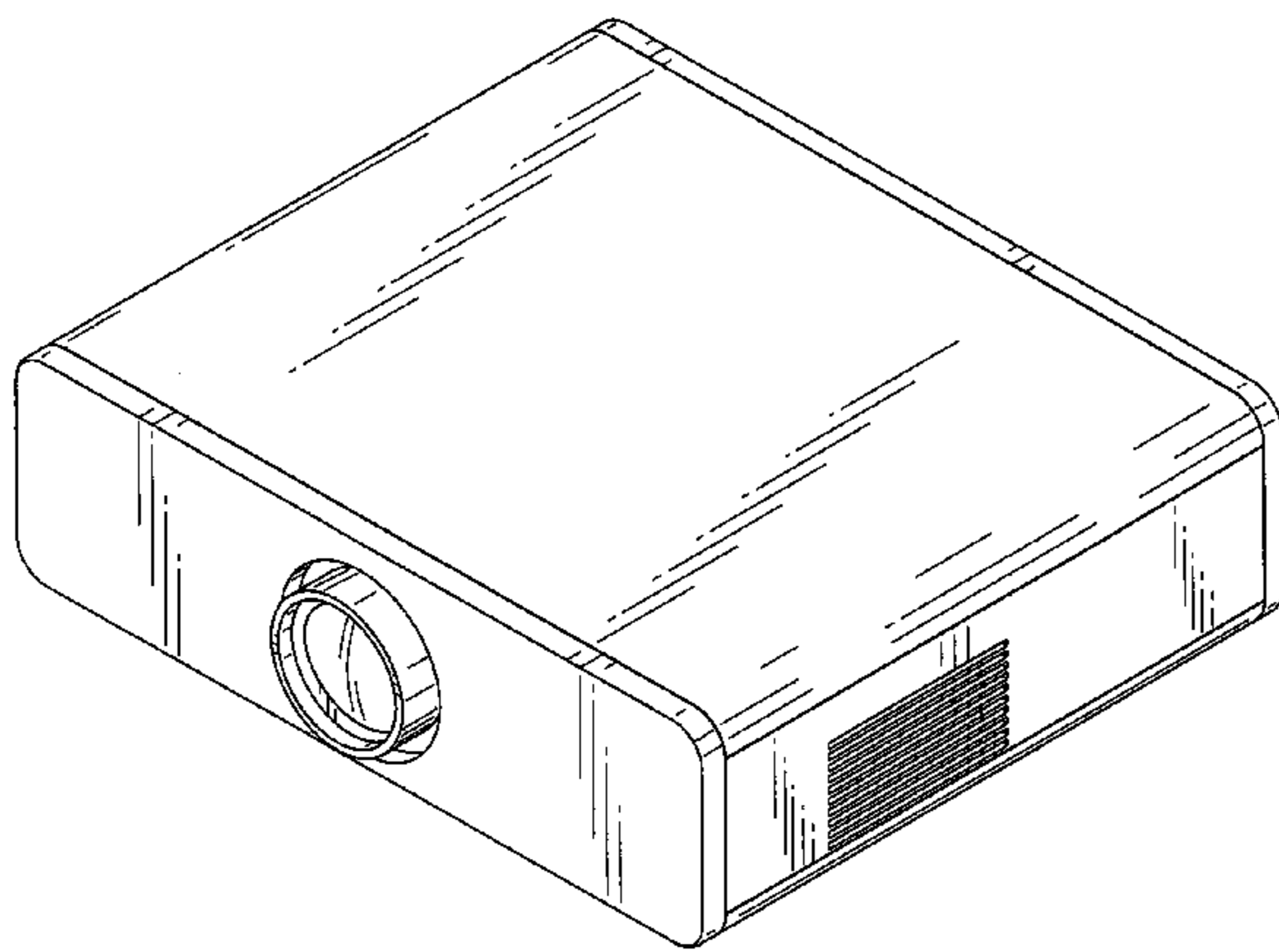


FIG.1

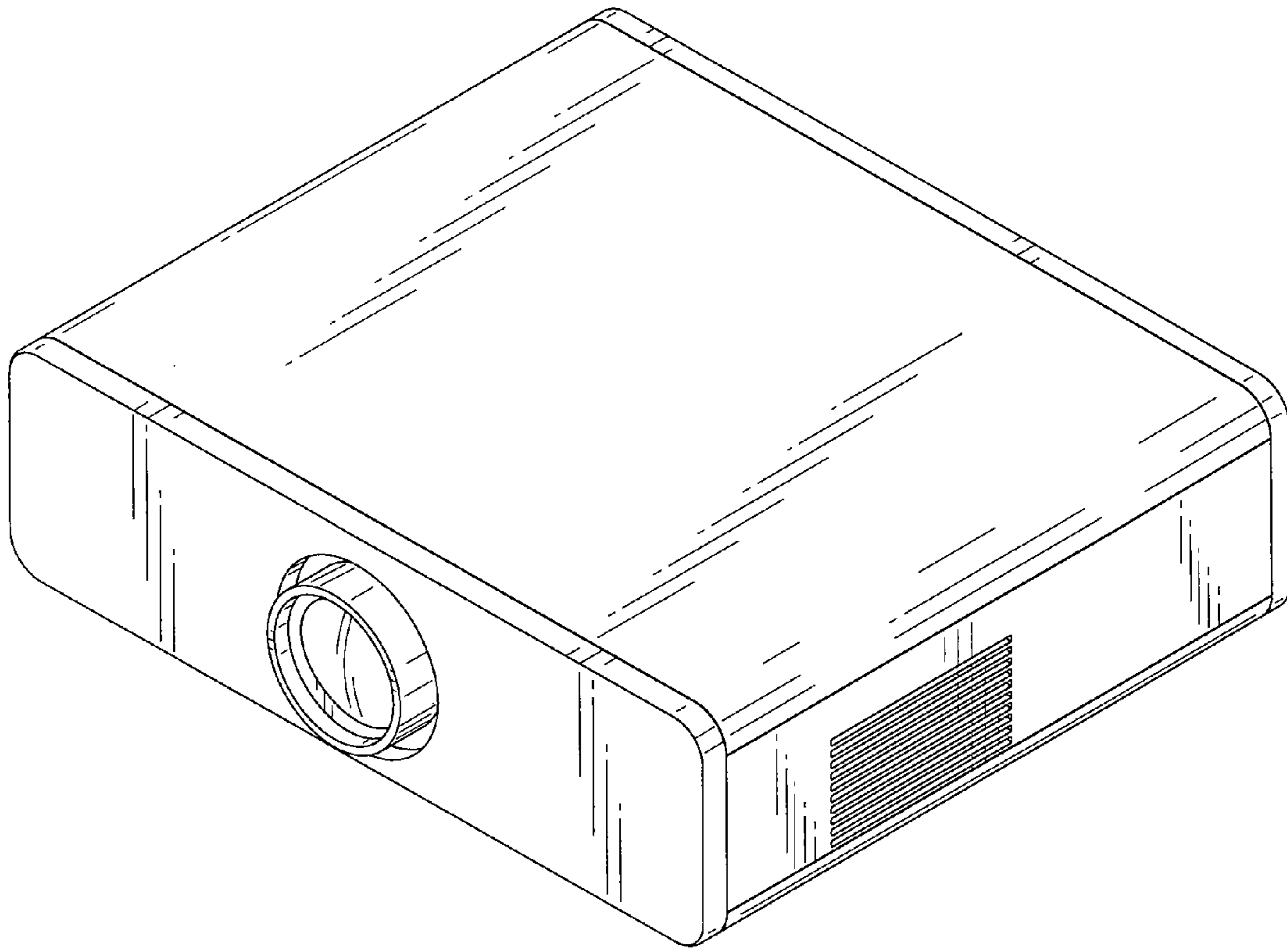


FIG.2

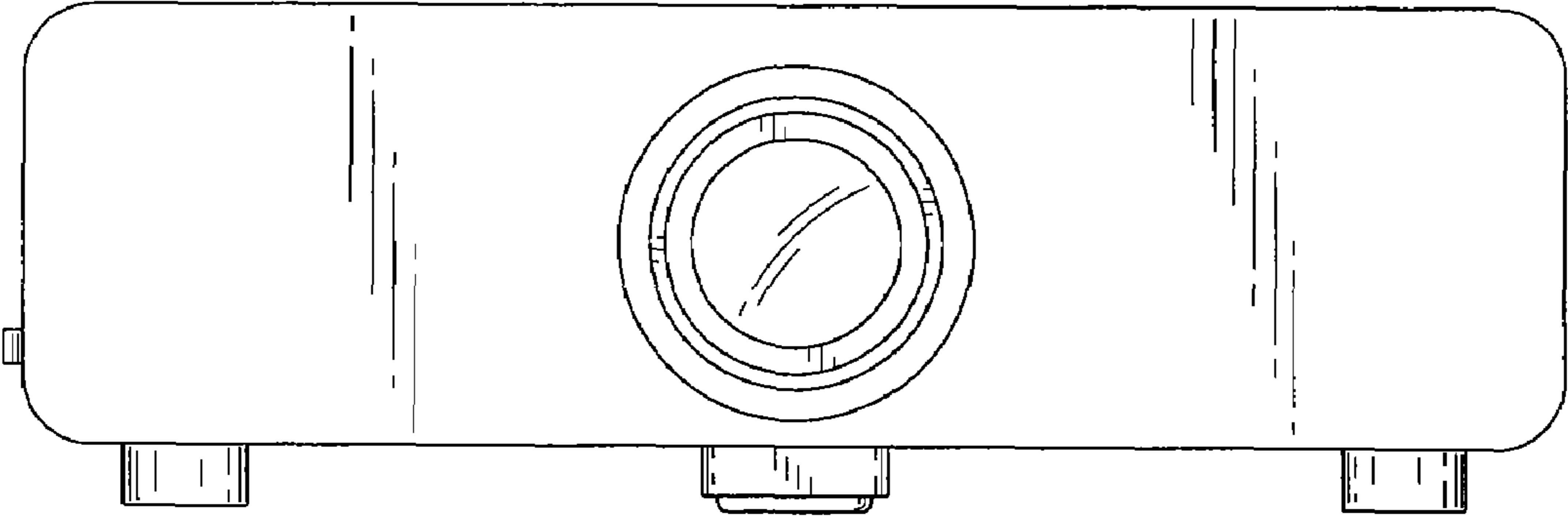


FIG.3

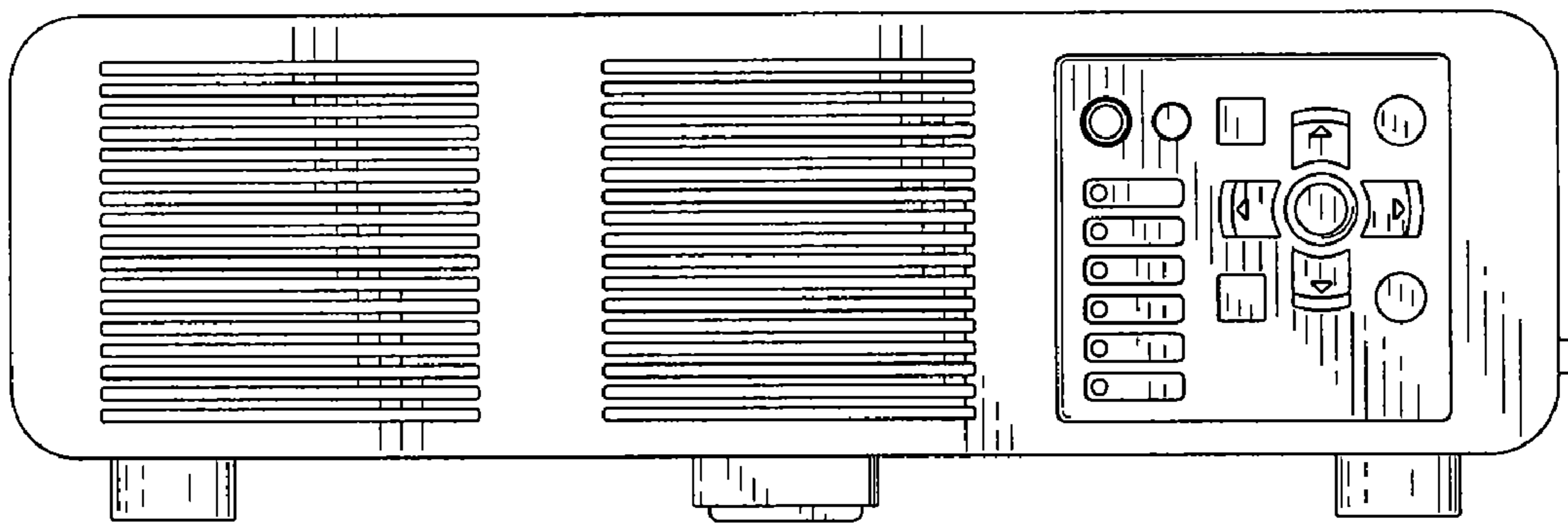


FIG.4

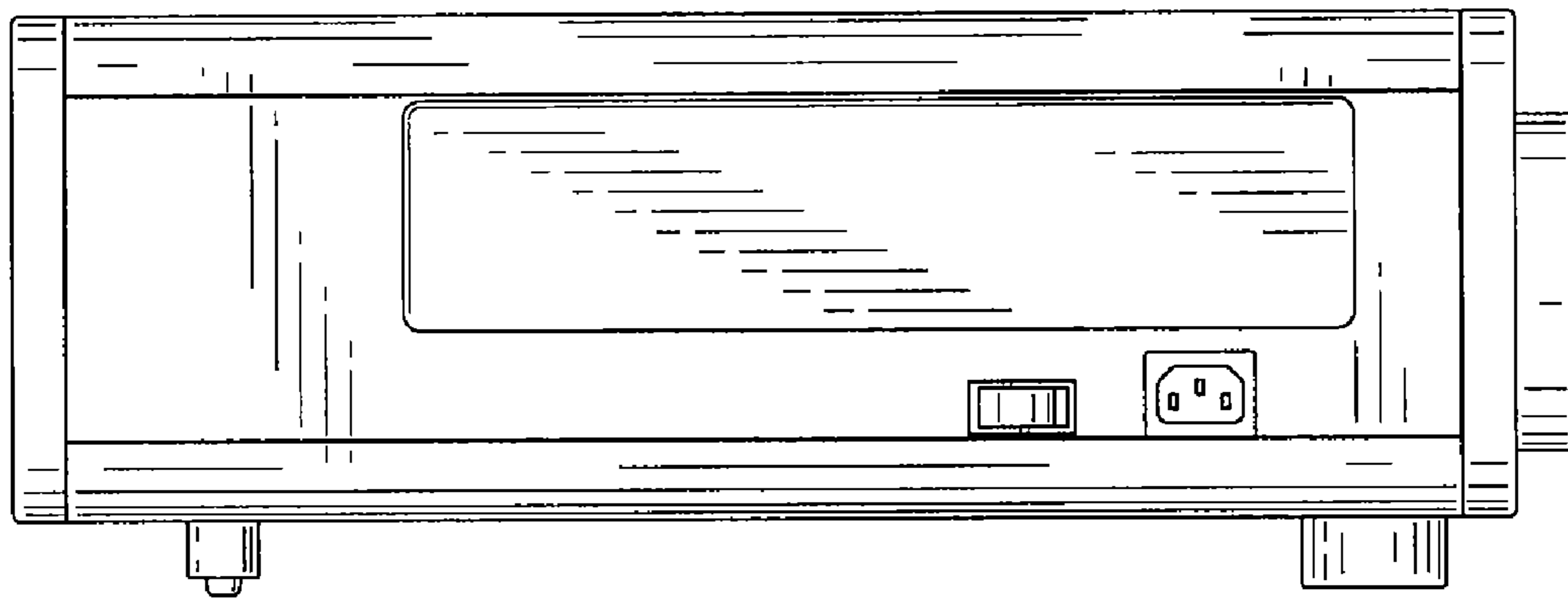


FIG.5

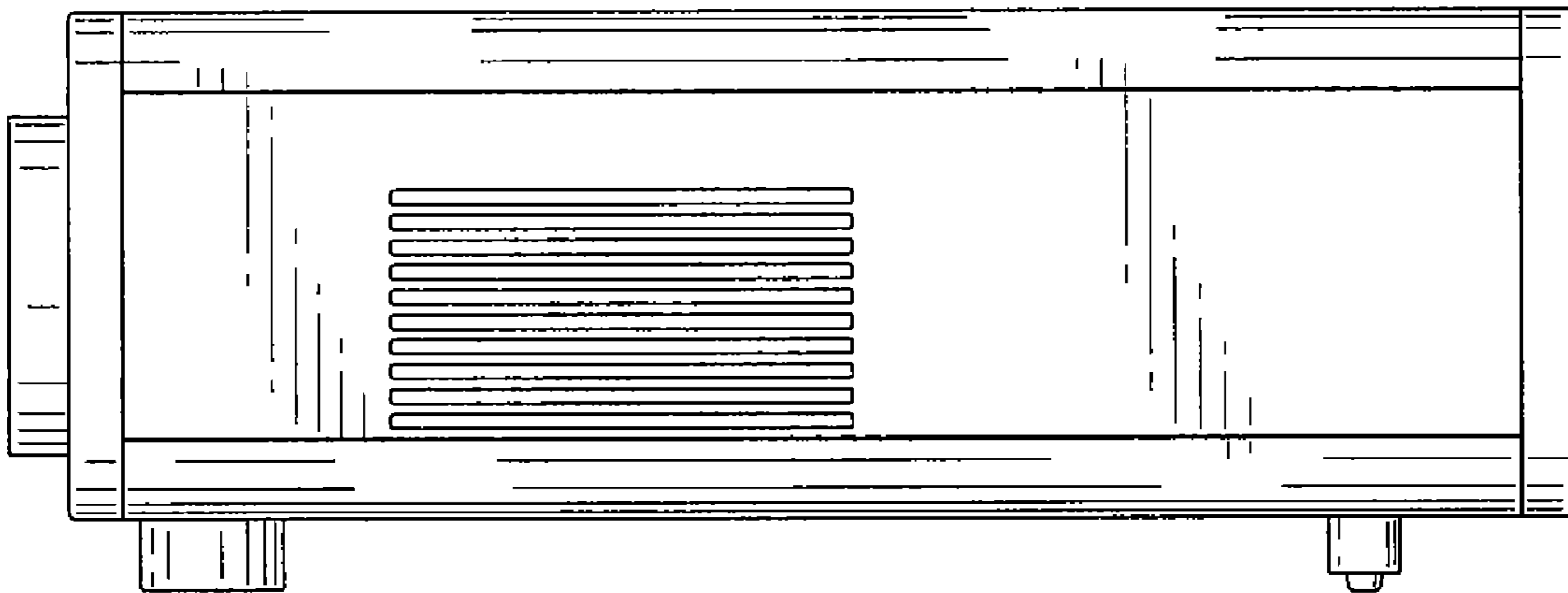


FIG.6

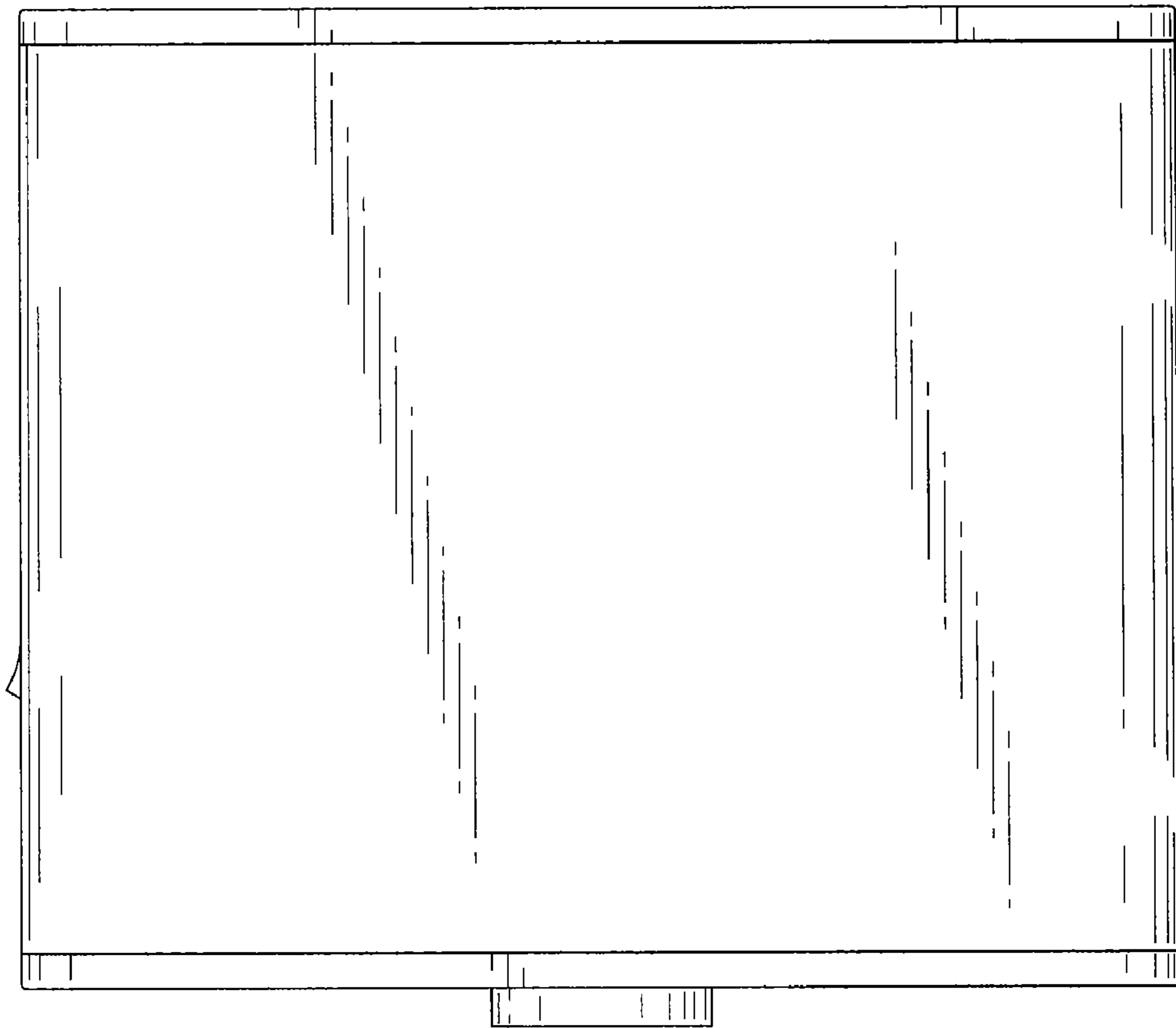


FIG.7

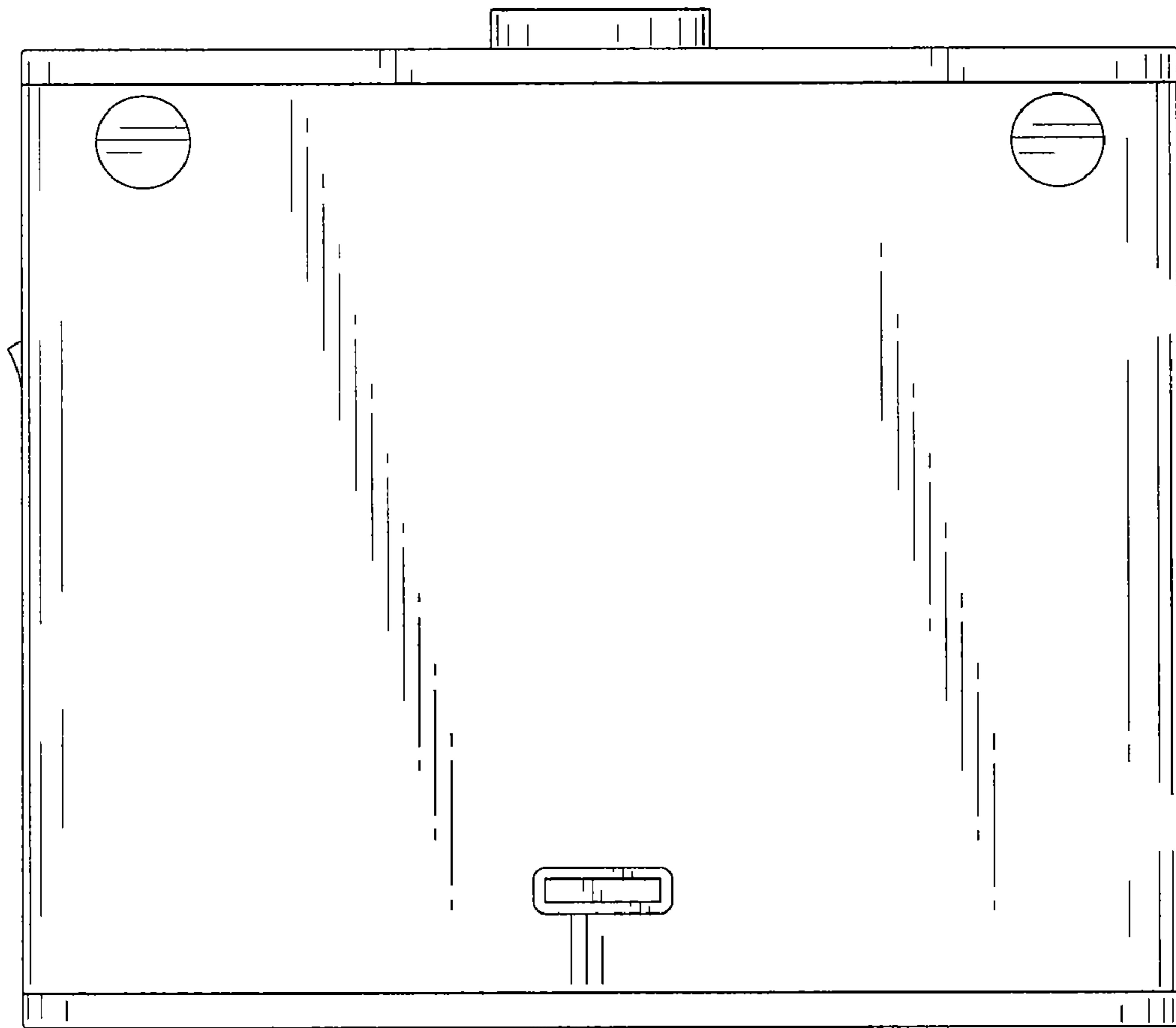




FIG.8

