

US00D605212S

(12) **United States Design Patent**
Mori et al.

(10) **Patent No.:** **US D605,212 S**
(45) **Date of Patent:** **** Dec. 1, 2009**

(54) **VIDEO CAMERA WITH RECORDER AND PLAYER**

(75) Inventors: **Yasuki Mori**, Fukuoka (JP); **Kunio Yamada**, Hyogo (JP); **Shigeyuki Takao**, Osaka (JP); **Kairi Eguchi**, Osaka (JP)

(73) Assignee: **Panasonic Corporation**, Osaka (JP)

(**) Term: **14 Years**

(21) Appl. No.: **29/326,095**

(22) Filed: **Oct. 10, 2008**

(30) **Foreign Application Priority Data**

Apr. 11, 2008 (JP) 2008-009309

(51) **LOC (9) Cl.** **16-01**

(52) **U.S. Cl.** **D16/202**

(58) **Field of Classification Search** D16/200–205, D16/208, 218; 348/373–376; 358/906; 396/535–541
See application file for complete search history.

(56) **References Cited**

U.S. PATENT DOCUMENTS

4,623,931	A	*	11/1986	Inaga et al.	348/374
D289,157	S	*	4/1987	Inai et al.	D16/202
D298,134	S	*	10/1988	Mori	D16/202
D314,782	S	*	2/1991	Hong	D16/202
D332,794	S	*	1/1993	Takita et al.	D16/202
D412,515	S	*	8/1999	Oka	D16/202
D486,845	S	*	2/2004	Oka	D16/202
D543,223	S	*	5/2007	Uchiyama et al.	D16/202

FOREIGN PATENT DOCUMENTS

JP D1249687 9/2005

JP	D1269718	5/2006
JP	D1269719	5/2006
JP	D1316580	12/2007
JP	D1324753	3/2008
JP	D1324761	3/2008

OTHER PUBLICATIONS

Panasonic, Catalog for Panasonic P2HD memory card camera recorder "Ag-HPX555", Nov. 2007, 16 pages.

* cited by examiner

Primary Examiner—Adir Aronovich

(74) *Attorney, Agent, or Firm*—Brinks Hofer Gilson & Lione

(57) **CLAIM**

We claim the ornamental design for a video camera with recorder and player, as shown and described.

DESCRIPTION

FIG. 1 is a front and left side perspective view of a video camera with recorder and player of the present invention; FIG. 2 is a rear and right side perspective view thereof; FIG. 3 is a front elevational view thereof; FIG. 4 is a rear elevational view thereof; FIG. 5 is a left side elevational view thereof; FIG. 6 is a right side elevational view thereof; FIG. 7 is a top plan view thereof; and, FIG. 8 is a bottom plan view thereof.

The broken lines in FIGS. 1 and 3 are shown for illustrative purposes only and form no part of the claimed design.

1 Claim, 8 Drawing Sheets

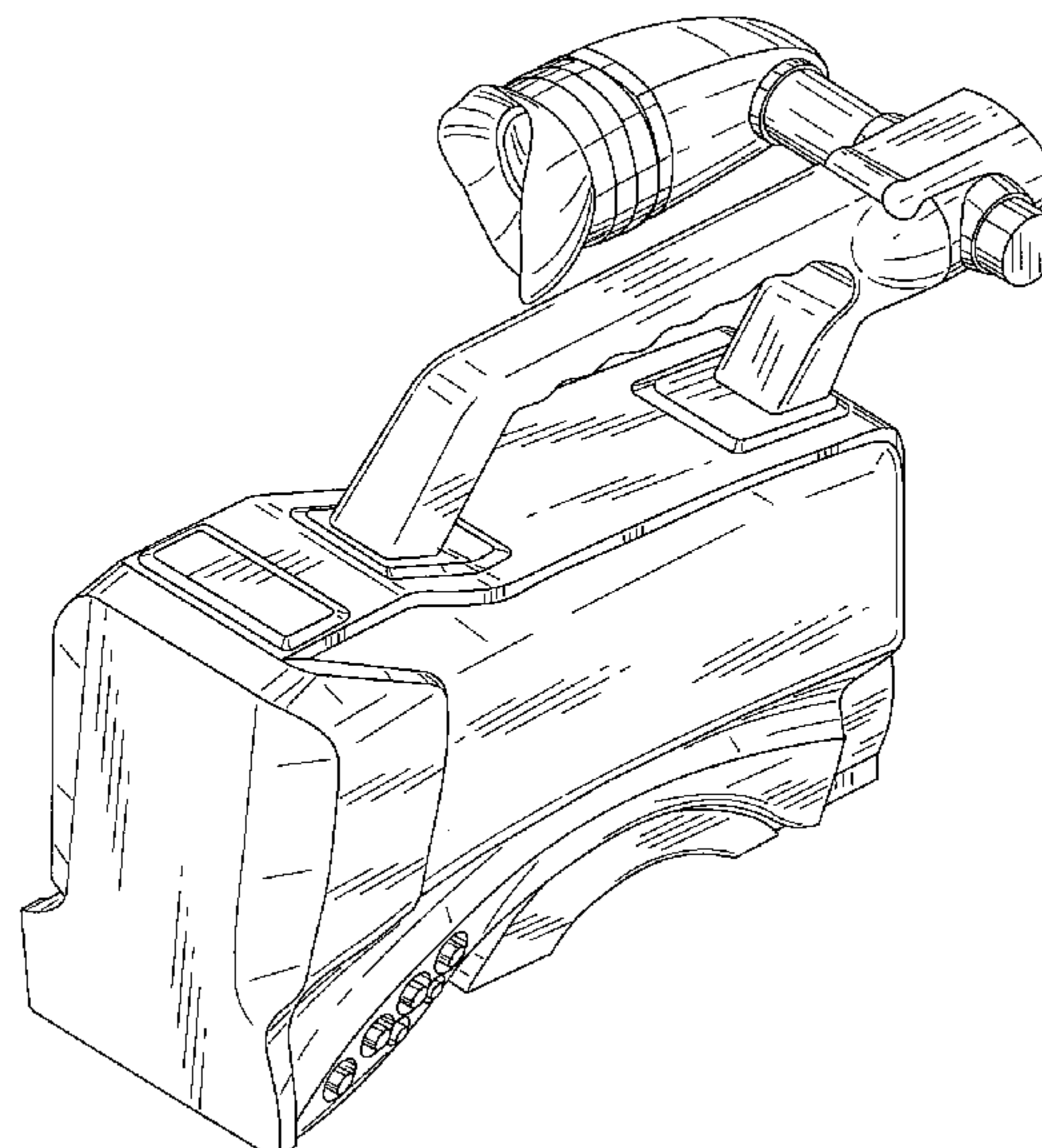
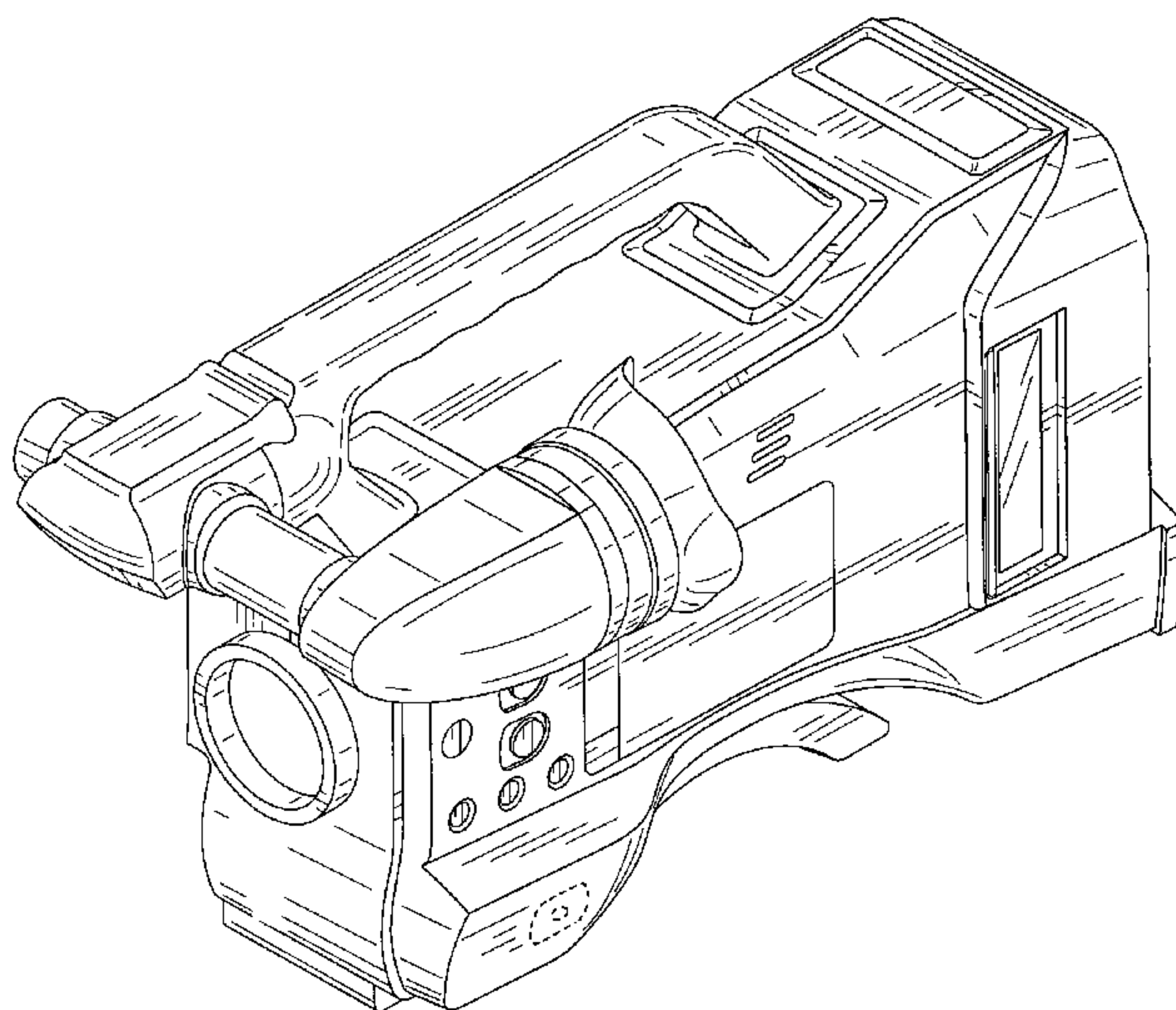


FIG.1

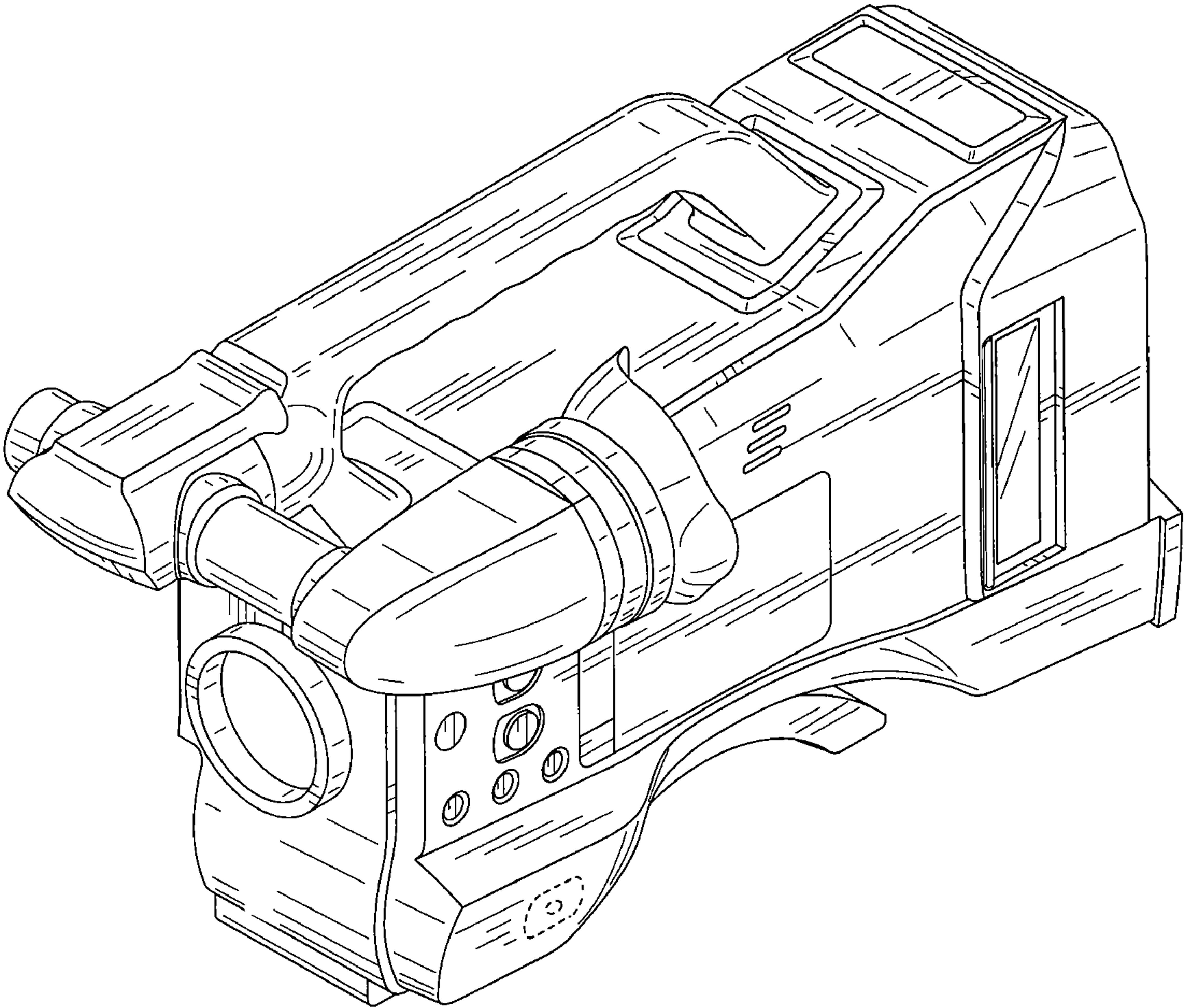


FIG.2

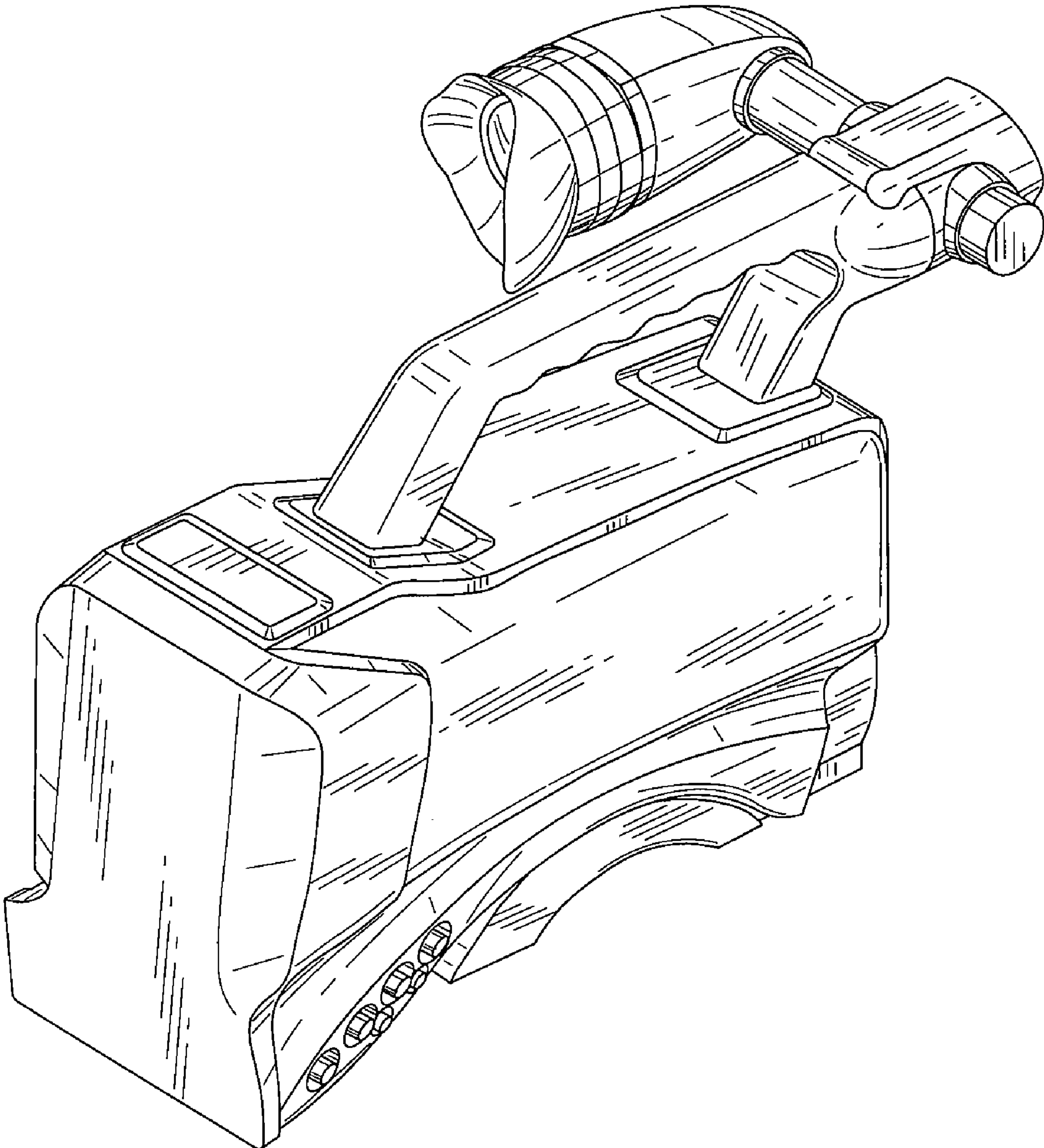


FIG.3

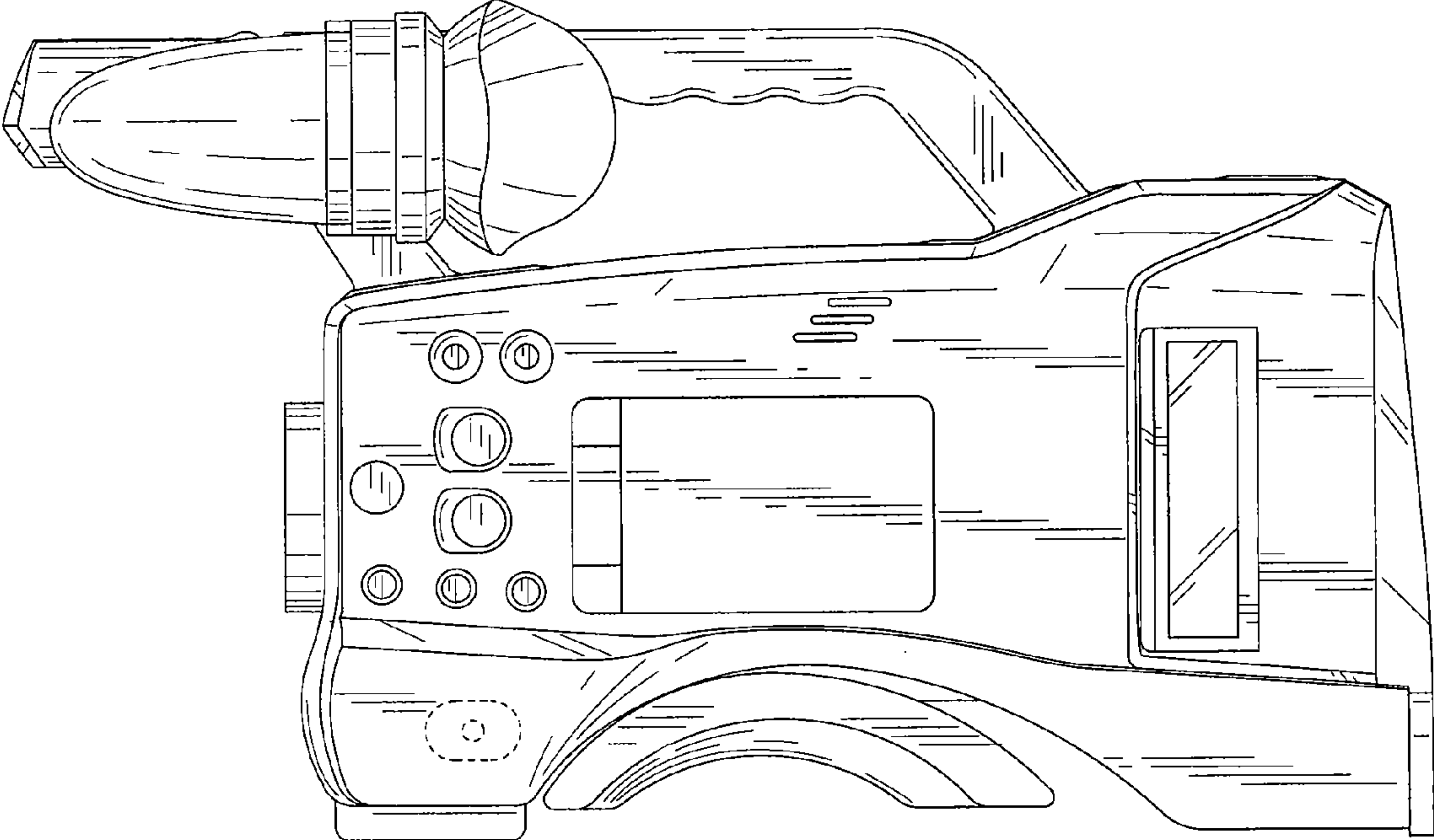


FIG.4

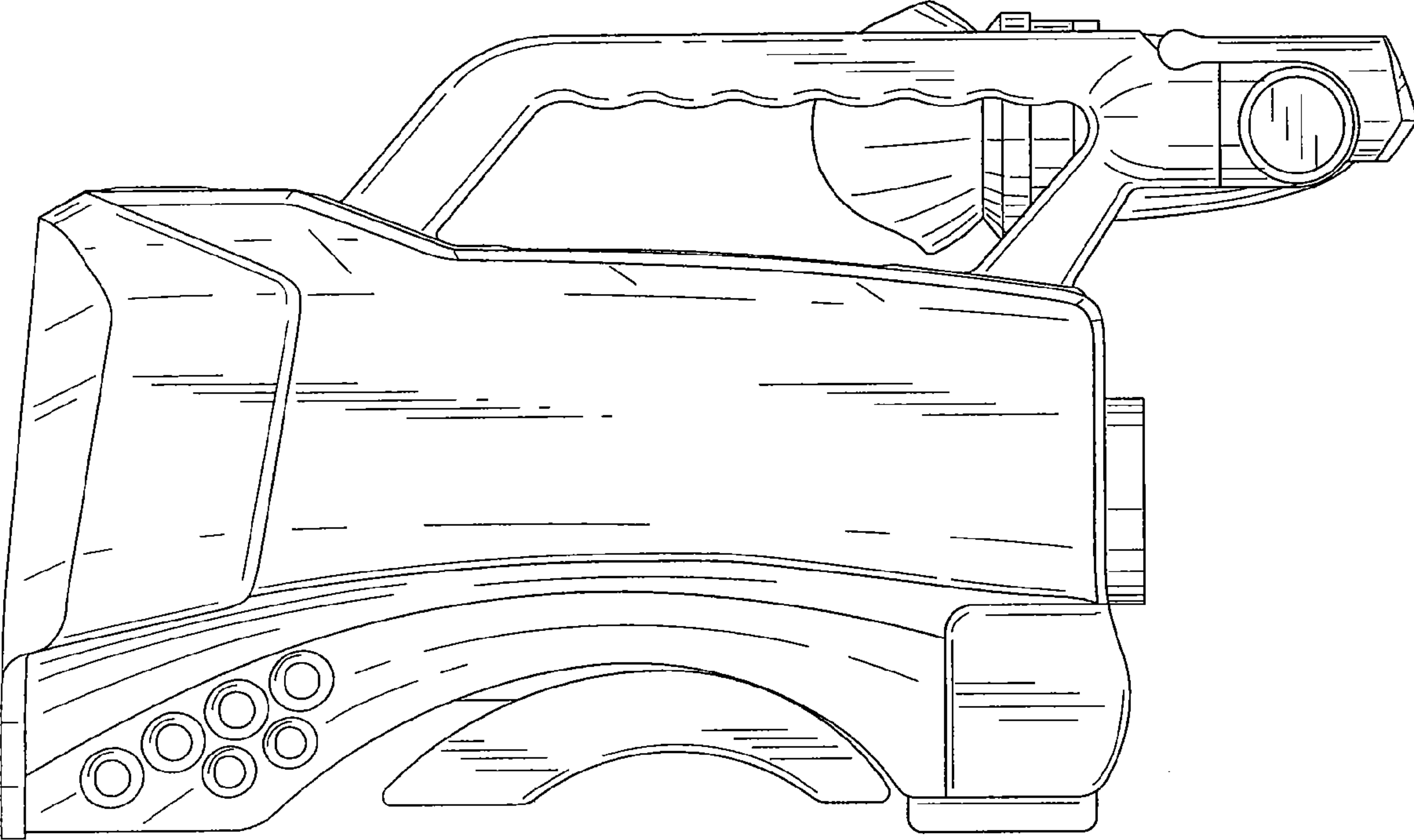


FIG.5

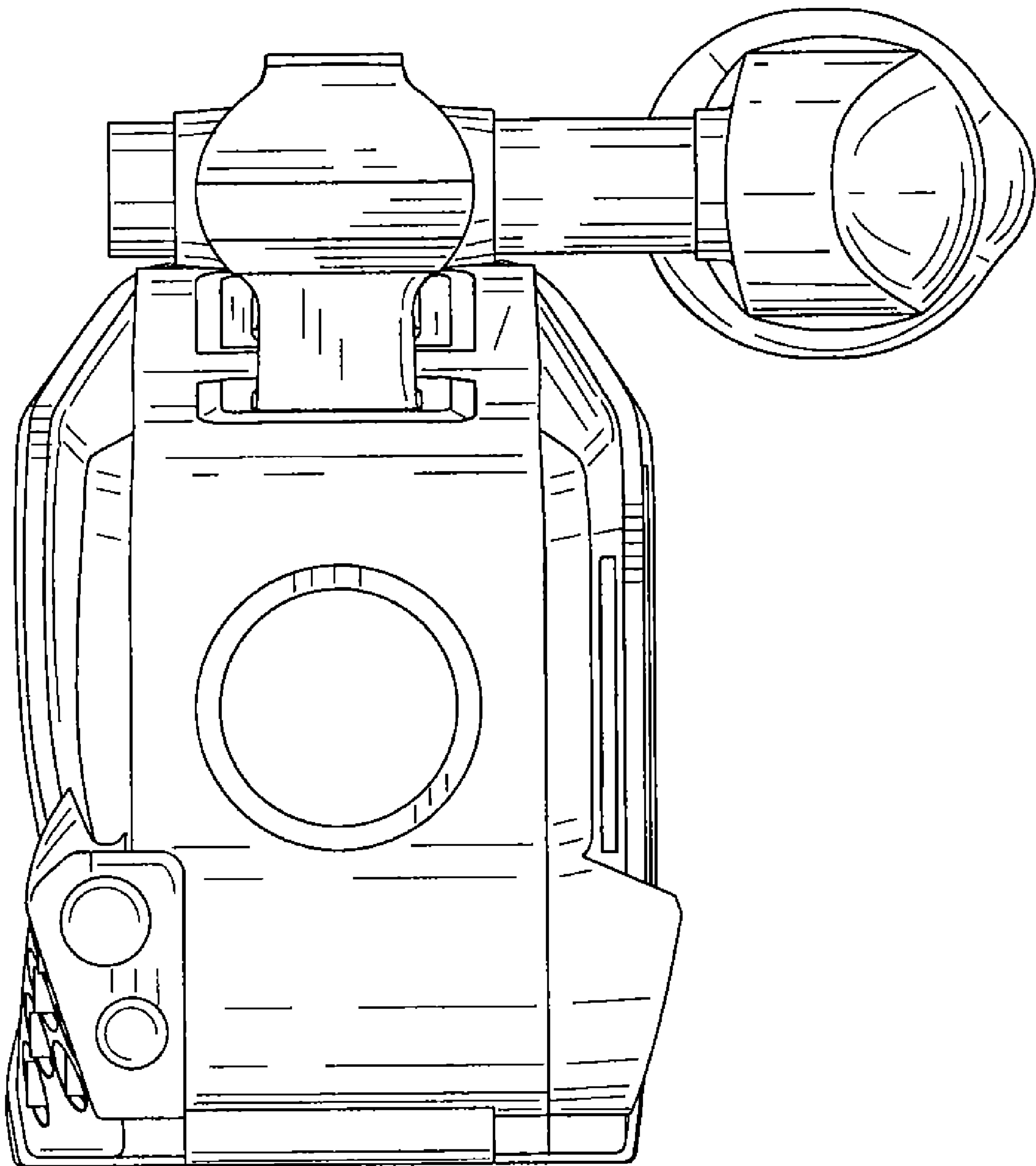


FIG.6

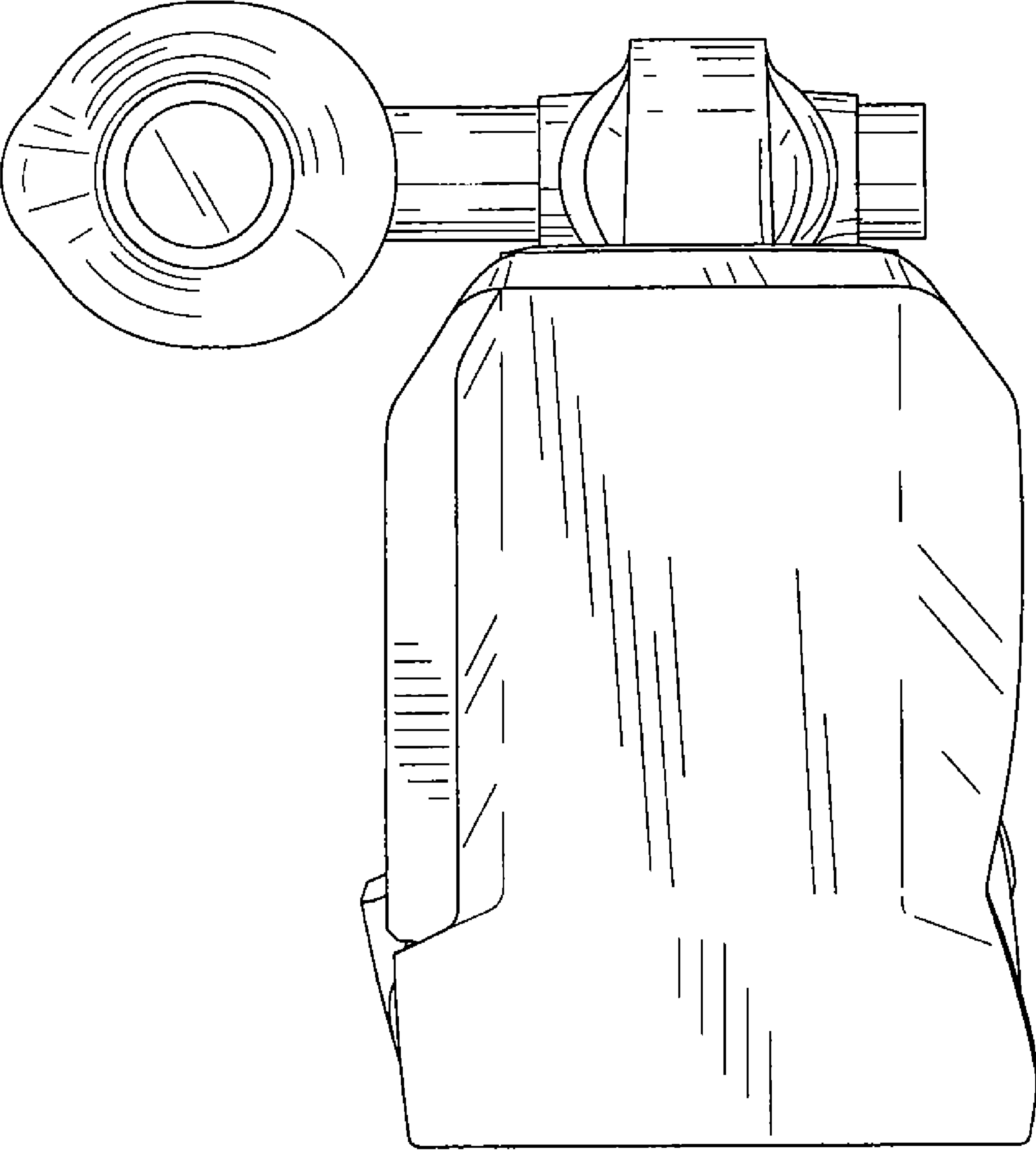


FIG.7

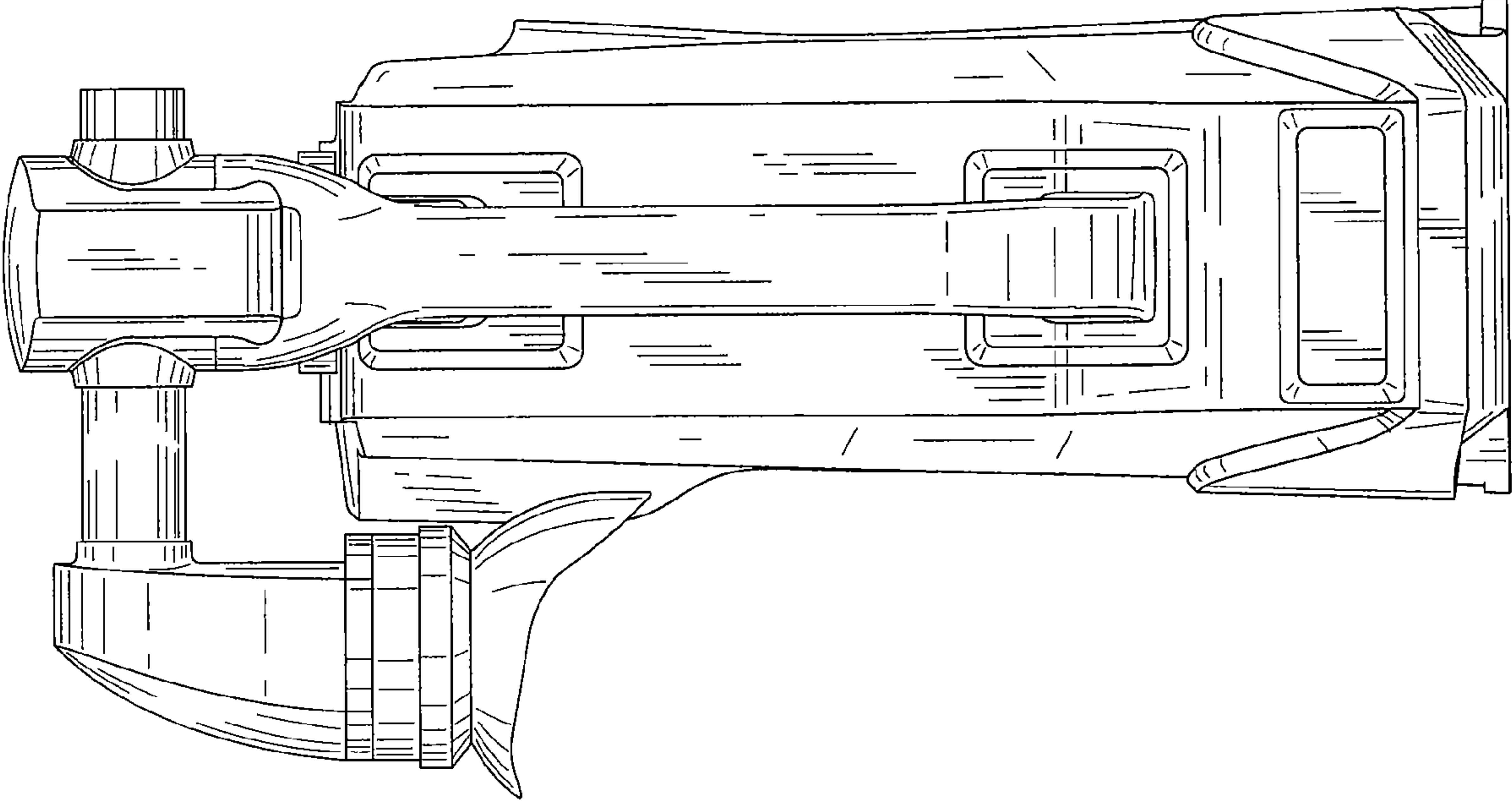


FIG.8

