



US00D605208S

(12) **United States Design Patent**
Shoukyu et al.

(10) **Patent No.:** **US D605,208 S**
(45) **Date of Patent:** **** Dec. 1, 2009**

(54) **ICE TRAY**

D513,019 S 12/2005 Lion et al.

* cited by examiner

(75) Inventors: **Masatoshi Shoukyu**, Kusatsu (JP);
Akinori Tsujimoto, Kusatsu (JP)

Primary Examiner—Stella M Reid

Assistant Examiner—Shanda C Hill

(73) Assignee: **Panasonic Corporation**, Osaka (JP)

(74) *Attorney, Agent, or Firm*—Brinks Hofer Gilson & Lione

(**) Term: **14 Years**

(57) **CLAIM**

(21) Appl. No.: **29/288,285**

We claim the ornamental design for an ice tray, as shown and described.

(22) Filed: **Jun. 6, 2007**

DESCRIPTION

(51) **LOC (9) Cl.** **15-07**

(52) **U.S. Cl.** **D15/90**

(58) **Field of Classification Search** D15/79,
D15/80, 82, 89, 90; 62/350; 249/52, 70,
249/119, 121, 127, 130

See application file for complete search history.

FIG. 1 is a front perspective view of a first embodiment of an ice tray of the present invention;

FIG. 2 is a front view thereof;

FIG. 3 is a top view thereof;

FIG. 4 is a bottom view thereof;

FIG. 5 is a right side view thereof;

FIG. 6 is a left side view thereof;

FIG. 7 is a rear view thereof;

FIG. 8 is a left side rear perspective view thereof;

FIG. 9 is a right side rear perspective view thereof;

FIG. 10 is a front perspective view of a second embodiment of an ice tray of the present invention;

FIG. 11 is a front view thereof;

FIG. 12 is a top view thereof;

FIG. 13 is a bottom view thereof;

FIG. 14 is a right side view thereof;

FIG. 15 is a left side view thereof;

FIG. 16 is a rear view thereof;

FIG. 17 is a left side rear perspective view thereof; and,

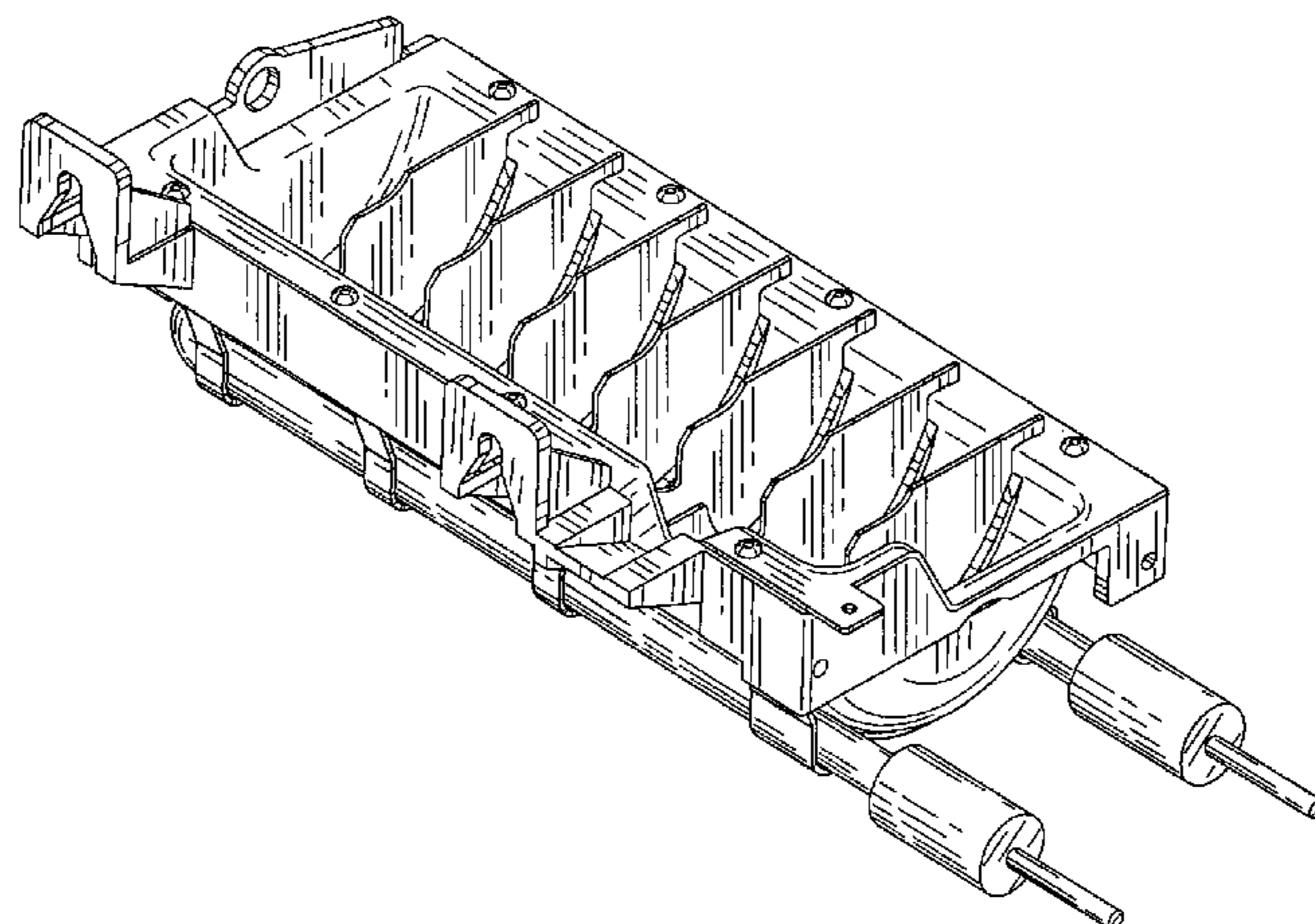
FIG. 18 is a right side rear perspective view thereof.

(56) **References Cited**

U.S. PATENT DOCUMENTS

1,868,503	A *	7/1932	Kennedy, Jr.	62/350
3,317,177	A *	5/1967	Brand	249/119
3,480,251	A *	11/1969	Pietrzak	249/127
D245,008	S *	7/1977	LaLonde	D15/90
D245,985	S *	10/1977	Talbert	D15/90
D250,117	S *	10/1978	Lalonde	D15/90
4,148,457	A *	4/1979	Gurbin	249/130
4,432,529	A *	2/1984	McMillan	249/52
4,967,995	A *	11/1990	Burgess	249/70
5,044,600	A *	9/1991	Shannon	249/121
D433,691	S	11/2000	Cauley et al.	
D434,427	S	11/2000	Di Bitonto et al.	
6,168,131	B1 *	1/2001	Tabatabaie	249/121
D444,480	S *	7/2001	Shultz et al.	D15/90
D451,676	S *	12/2001	Dembicks	D3/313
D480,736	S	10/2003	Wright	

1 Claim, 10 Drawing Sheets



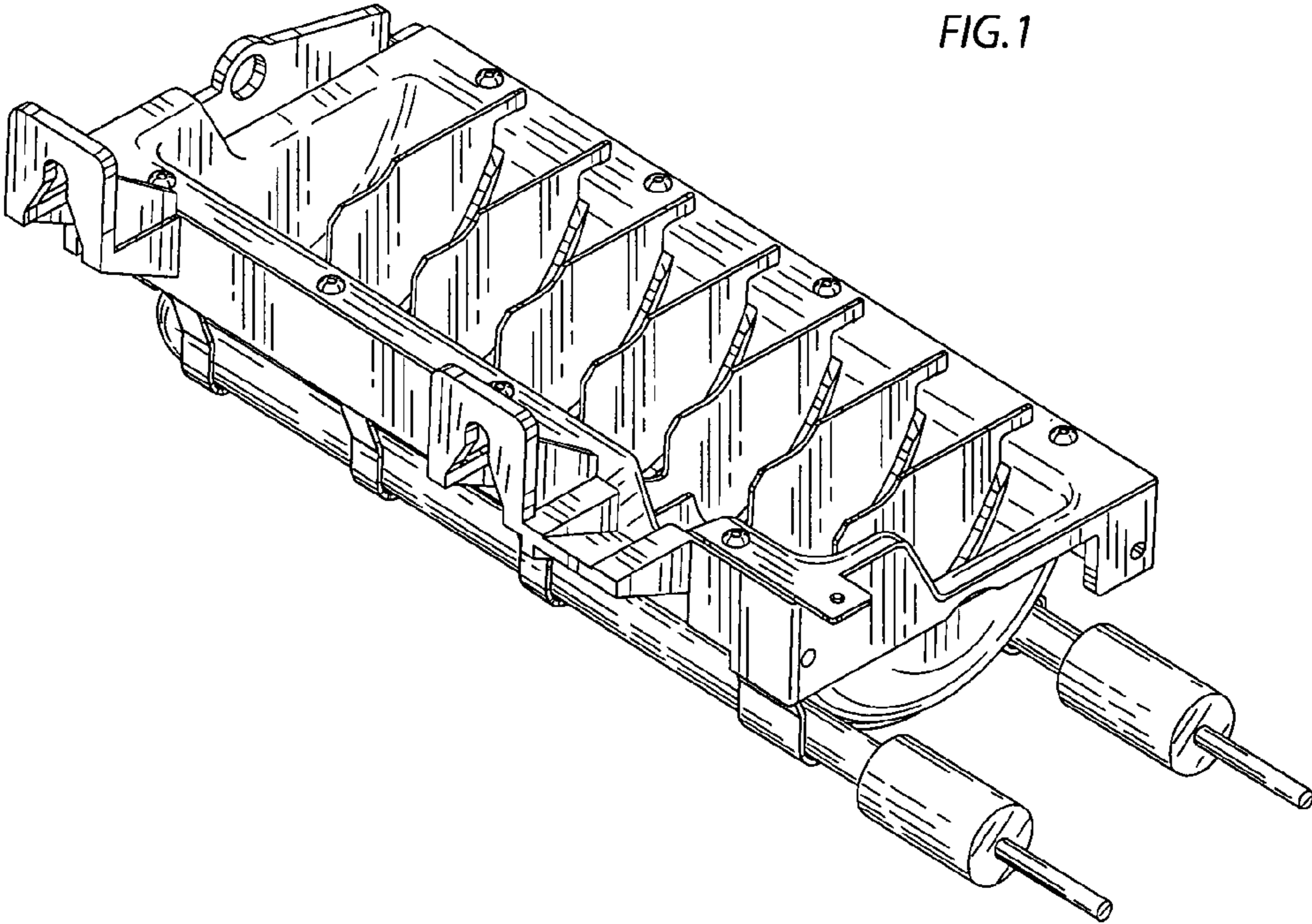


FIG. 2

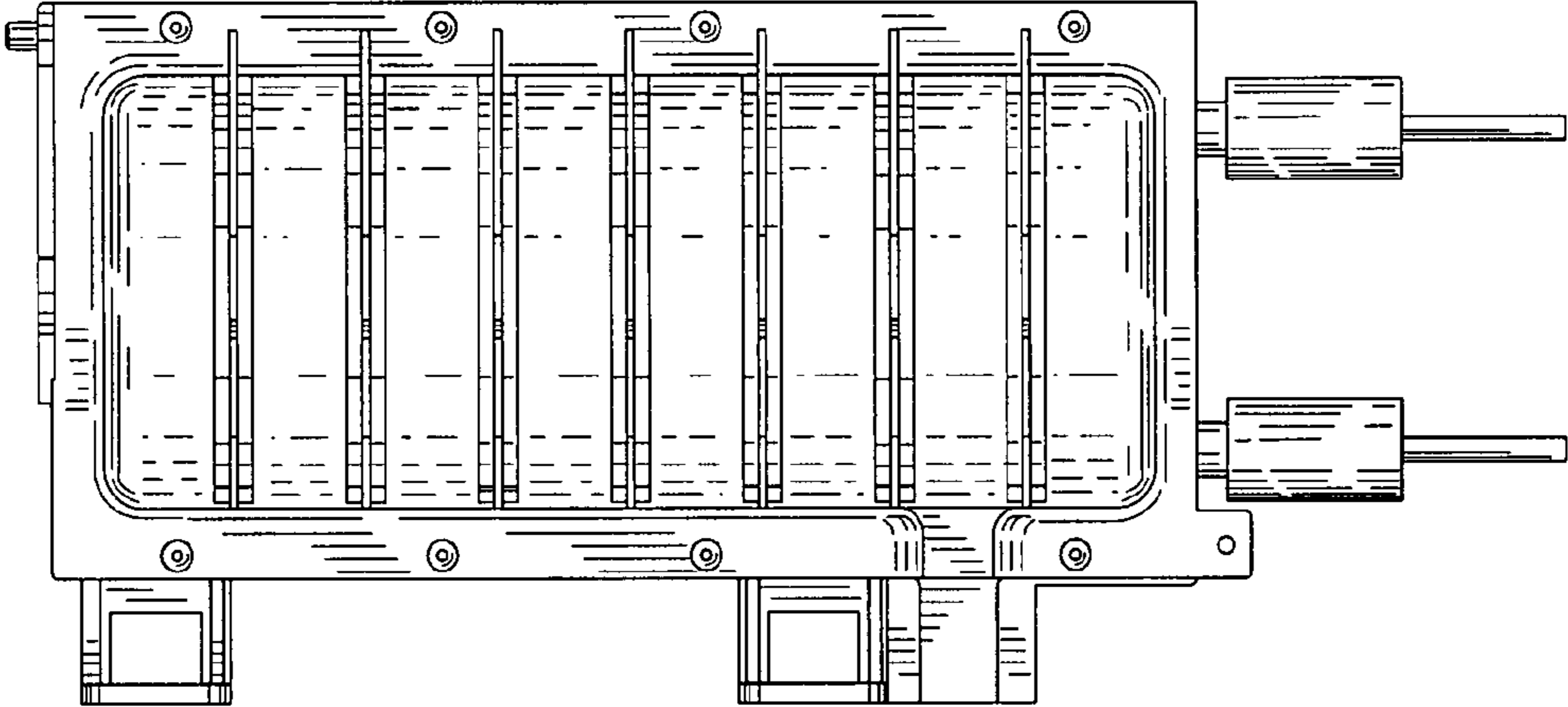


FIG.3

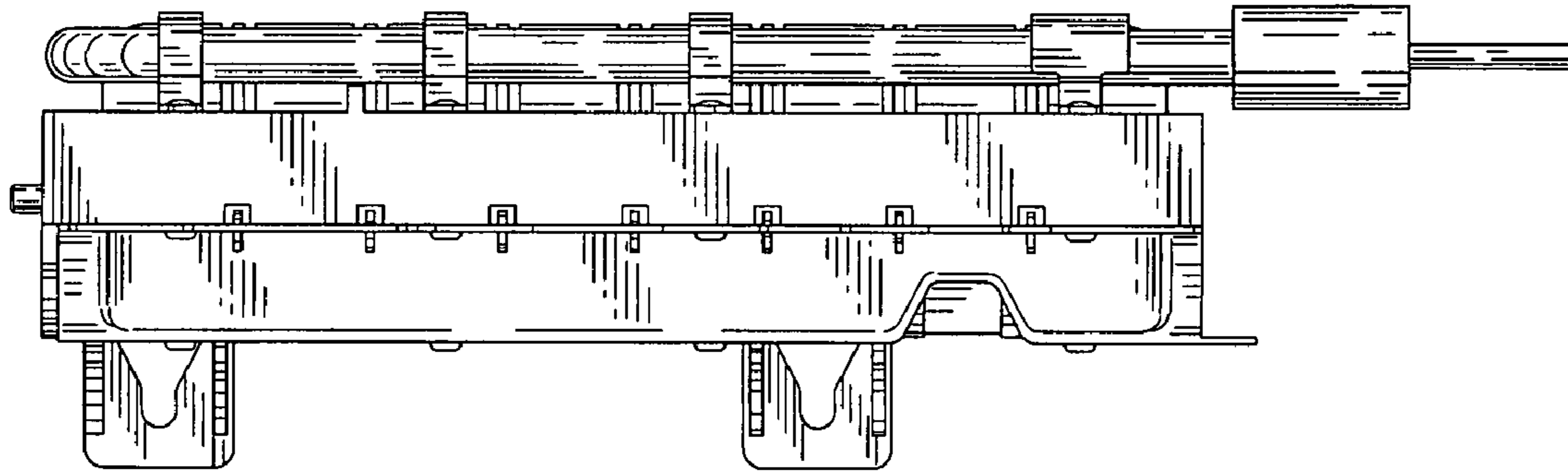


FIG.4

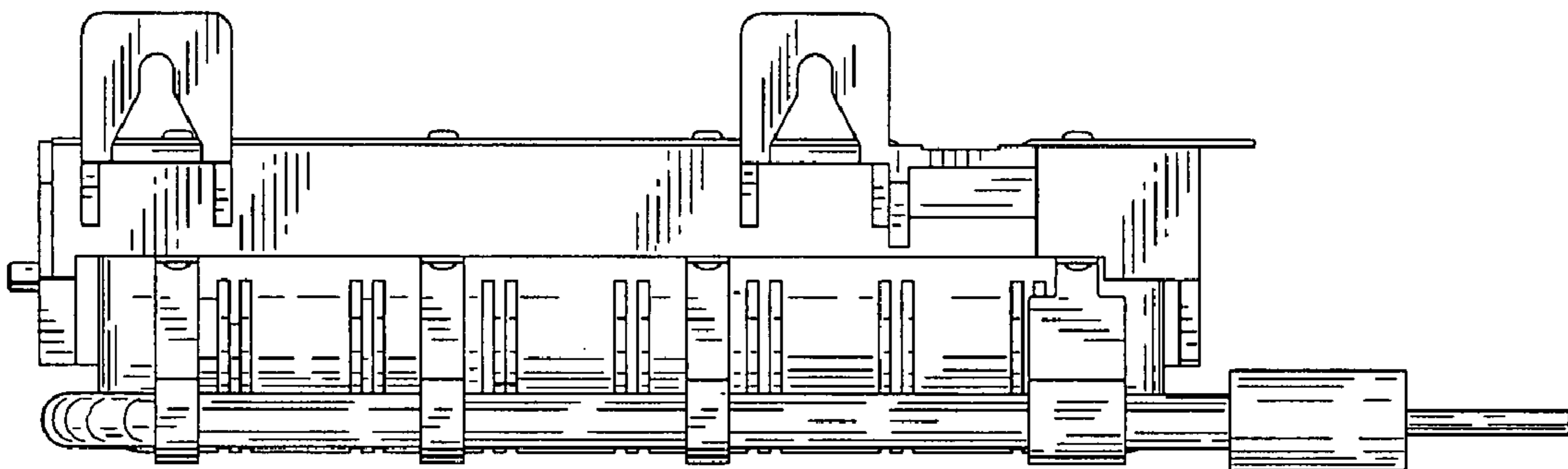


FIG.5

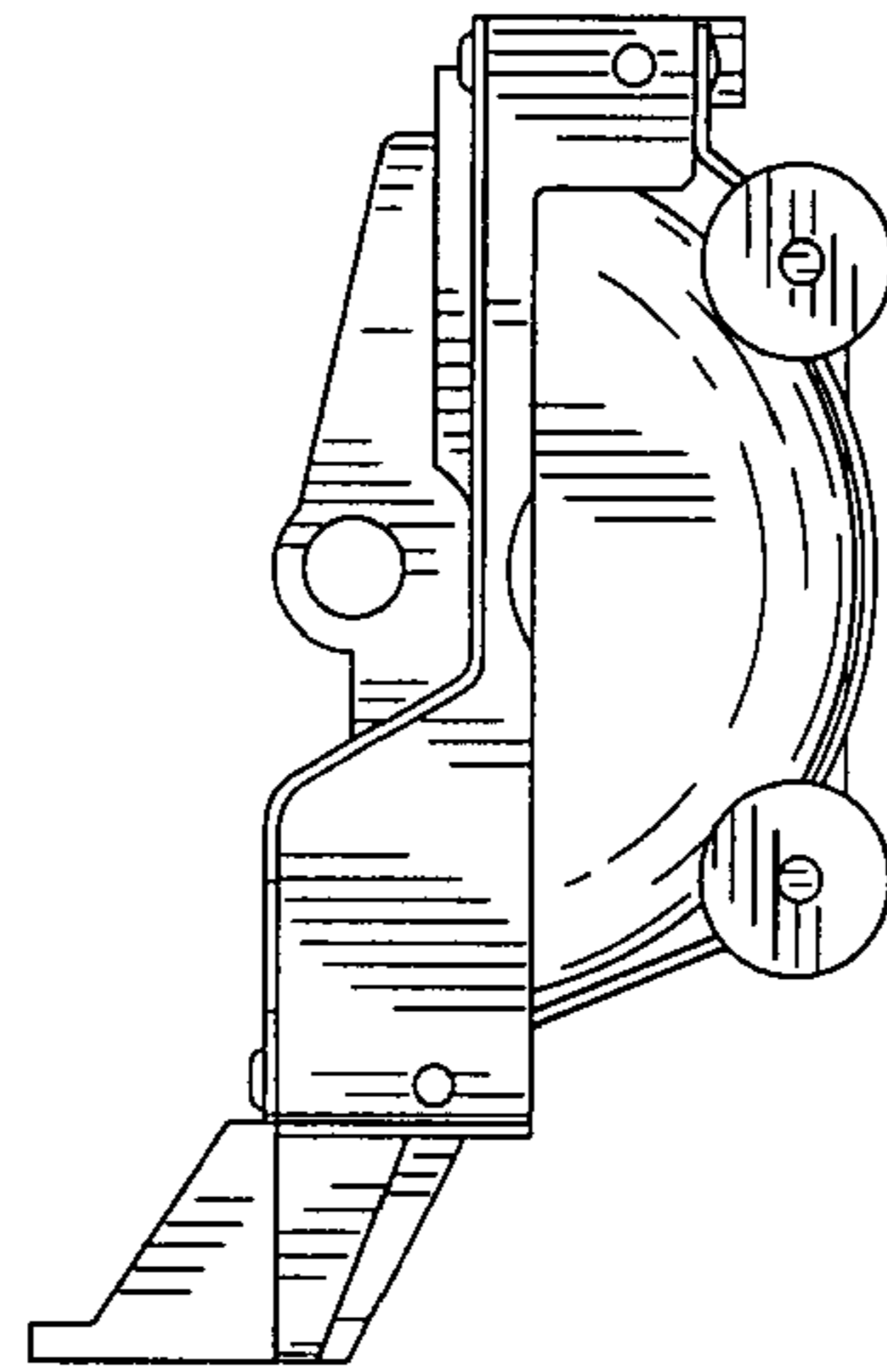


FIG.6

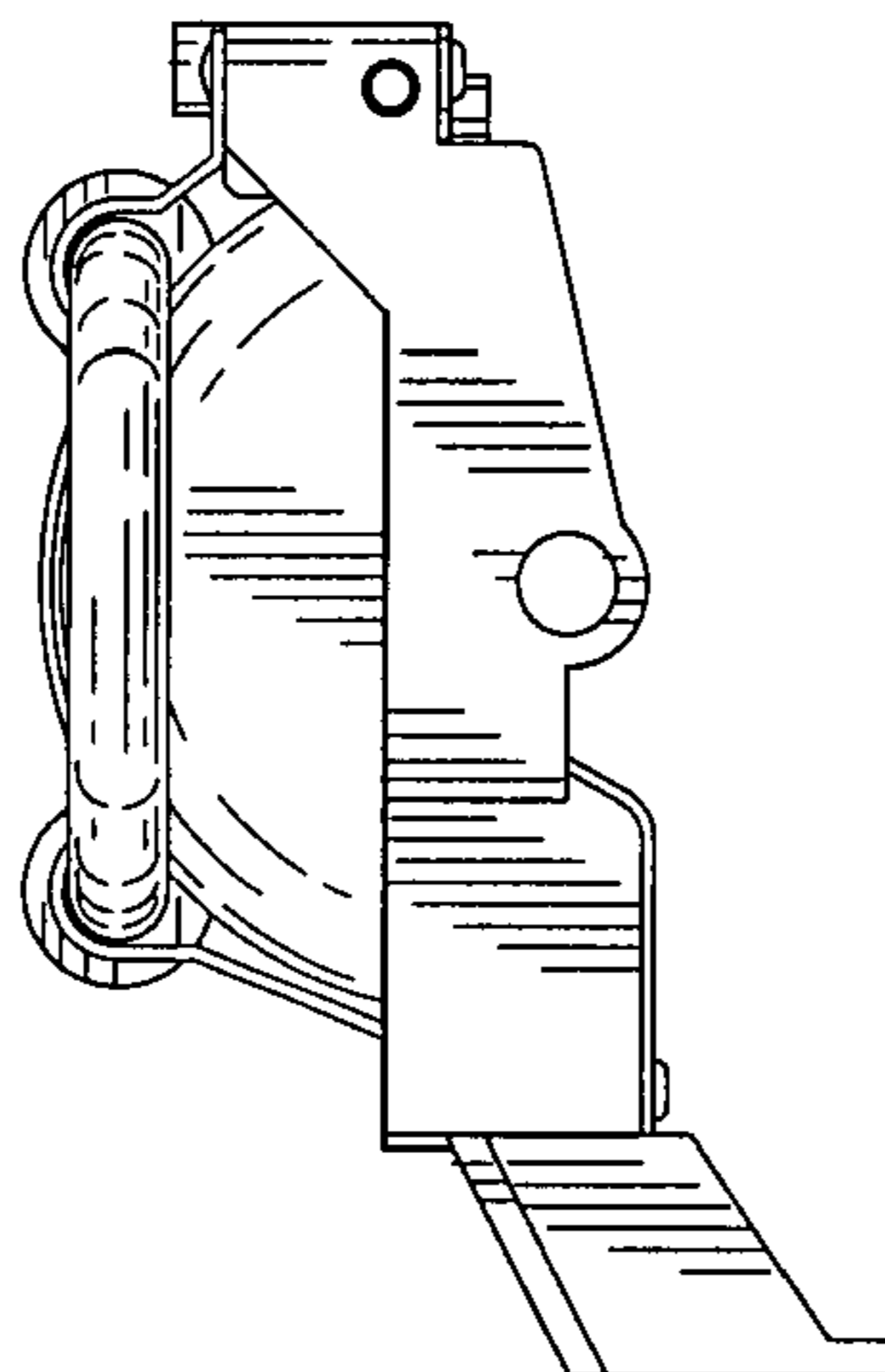


FIG.7

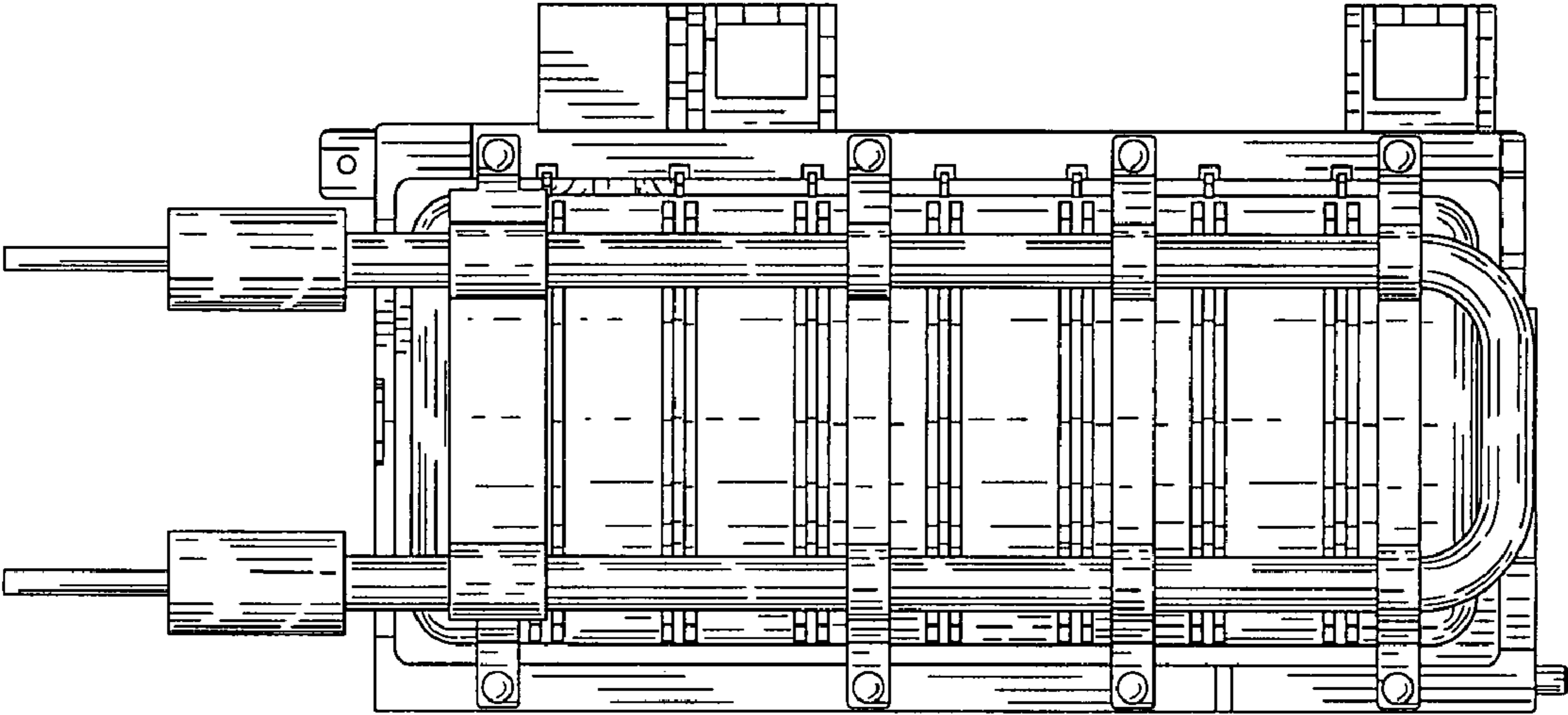


FIG.8

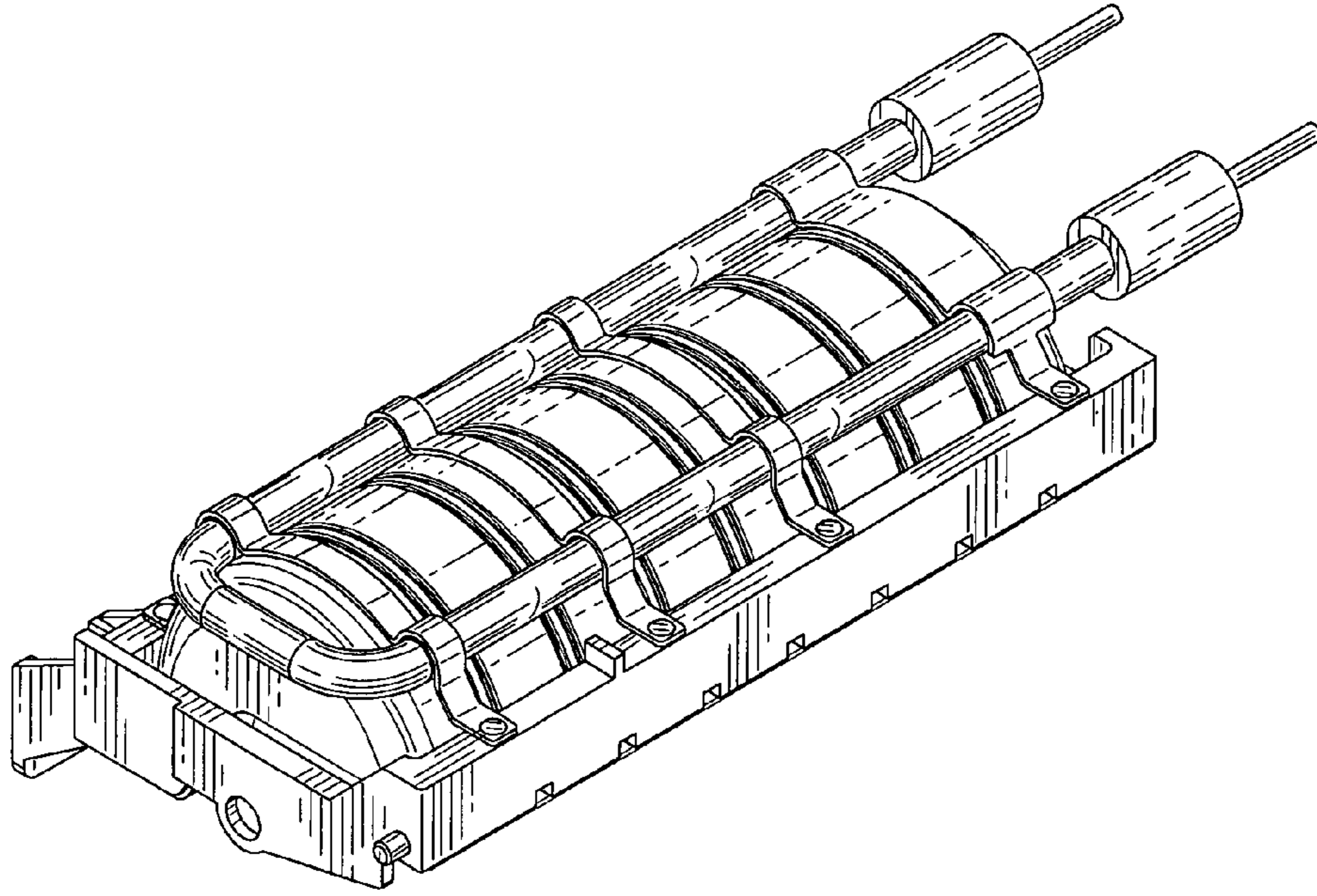
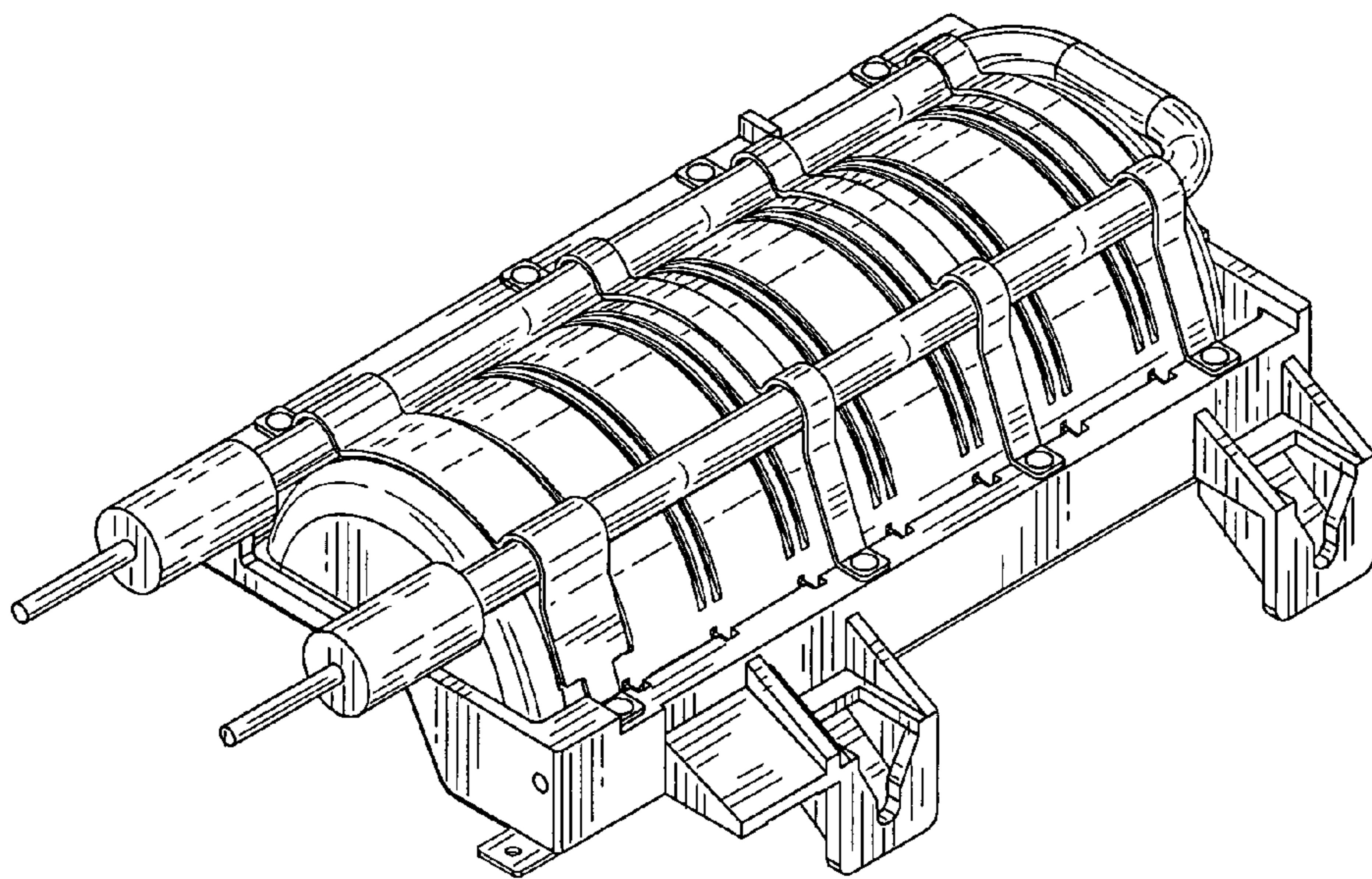


FIG.9



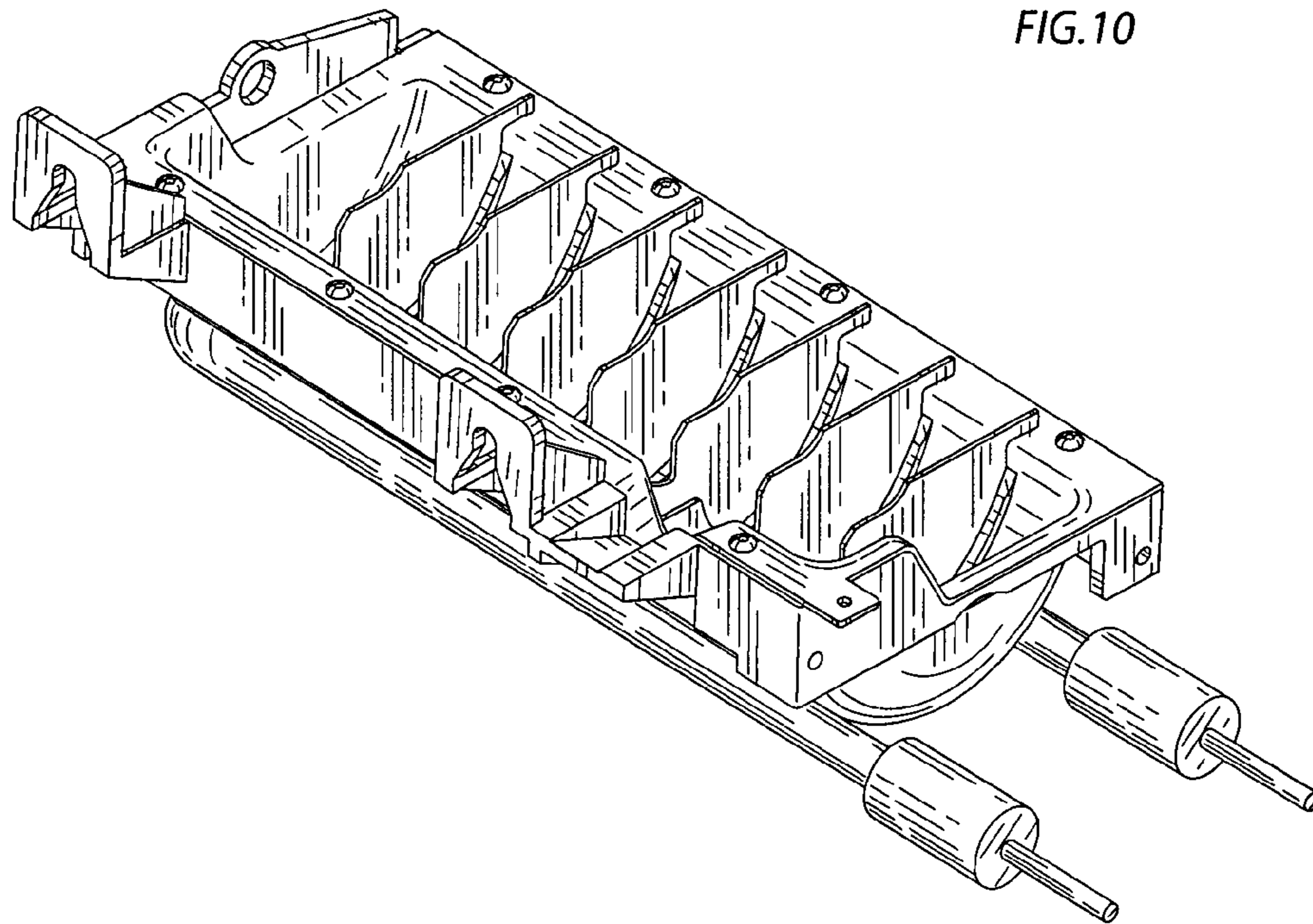


FIG. 11

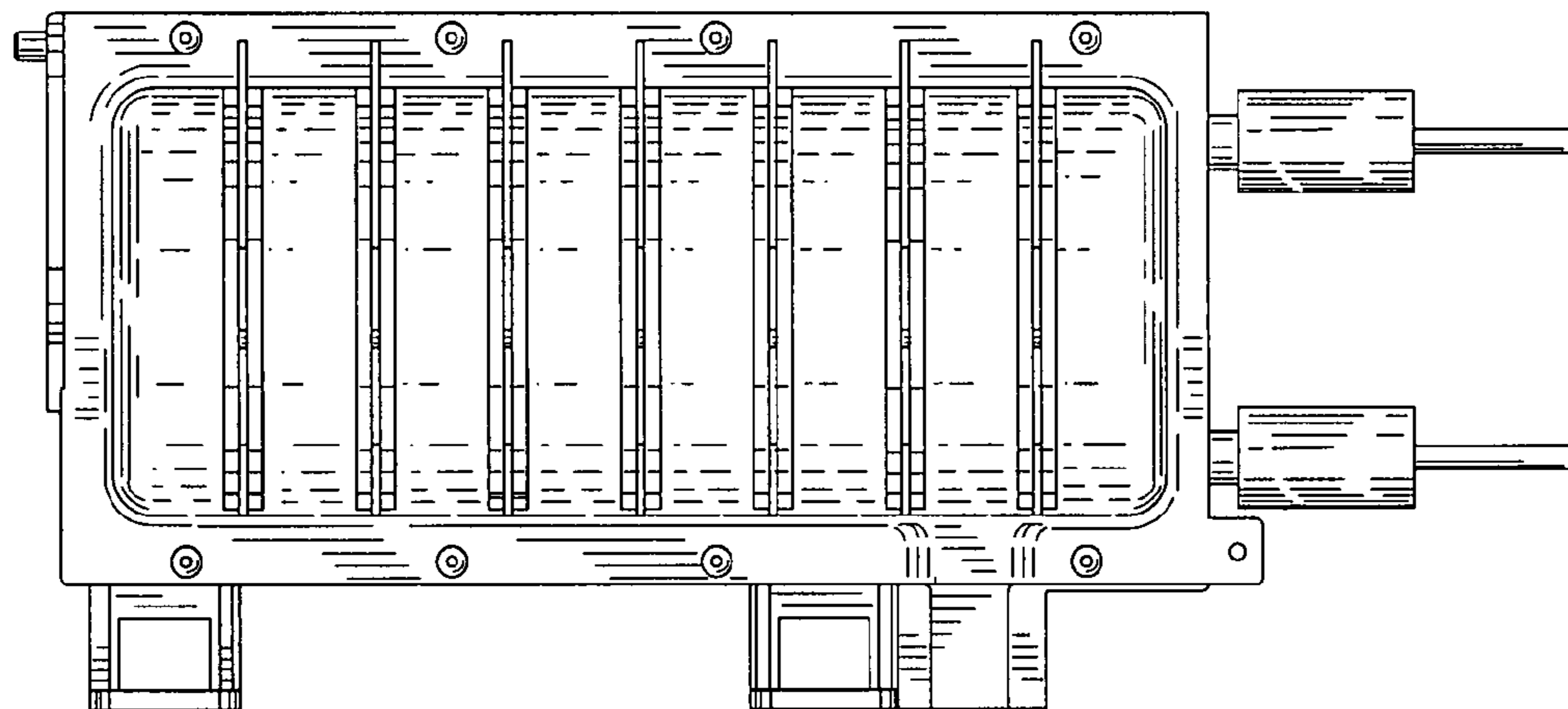


FIG.12

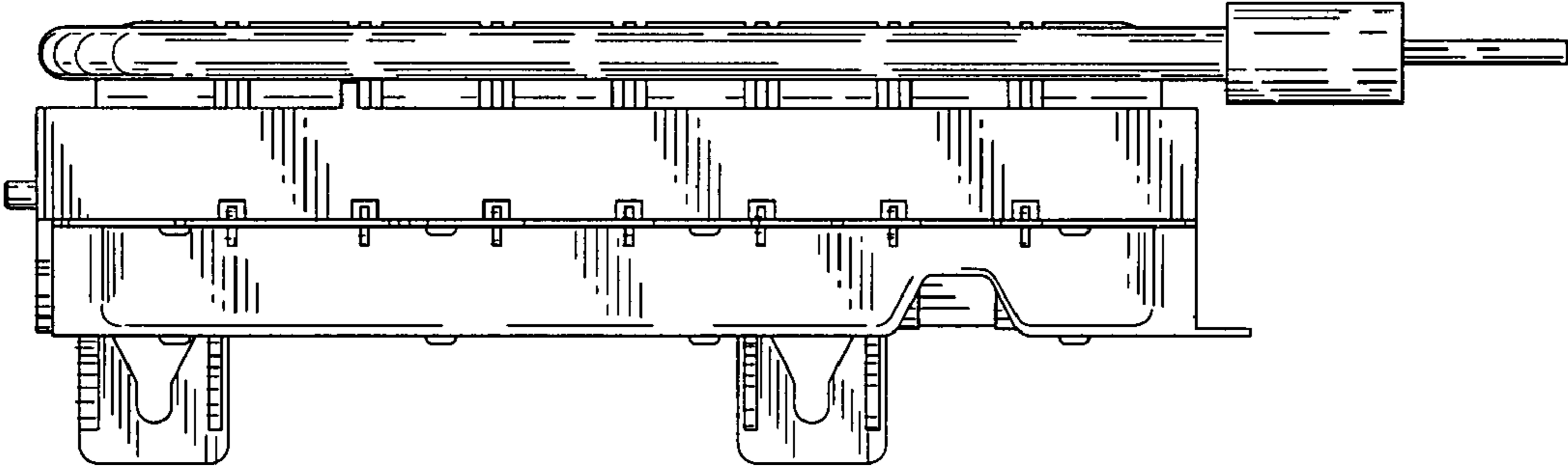


FIG.13

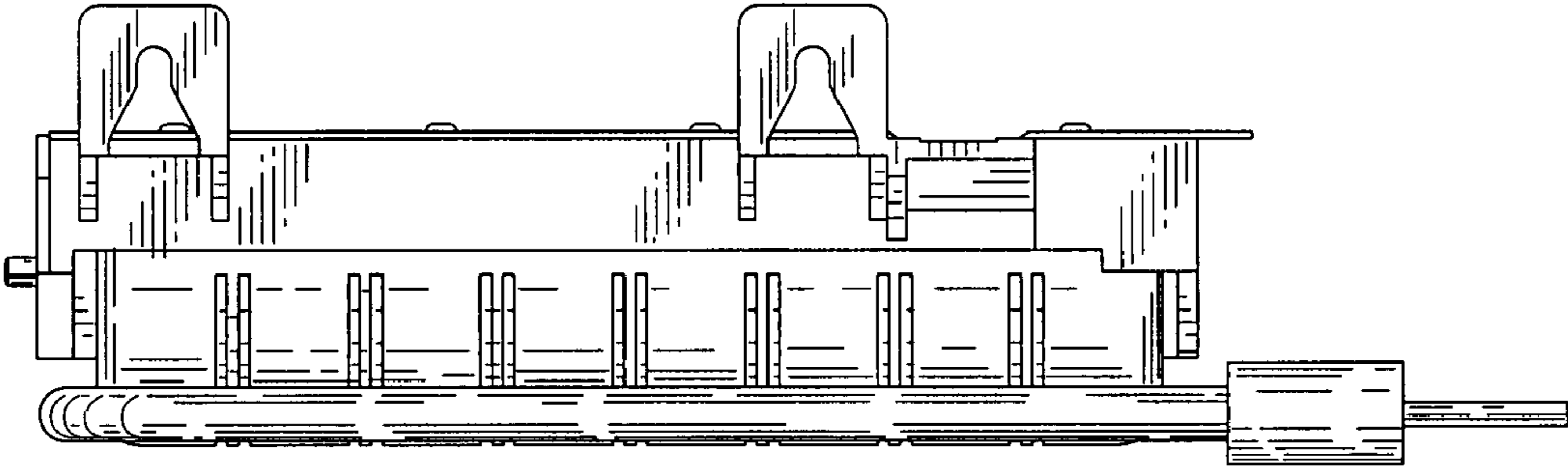


FIG.14

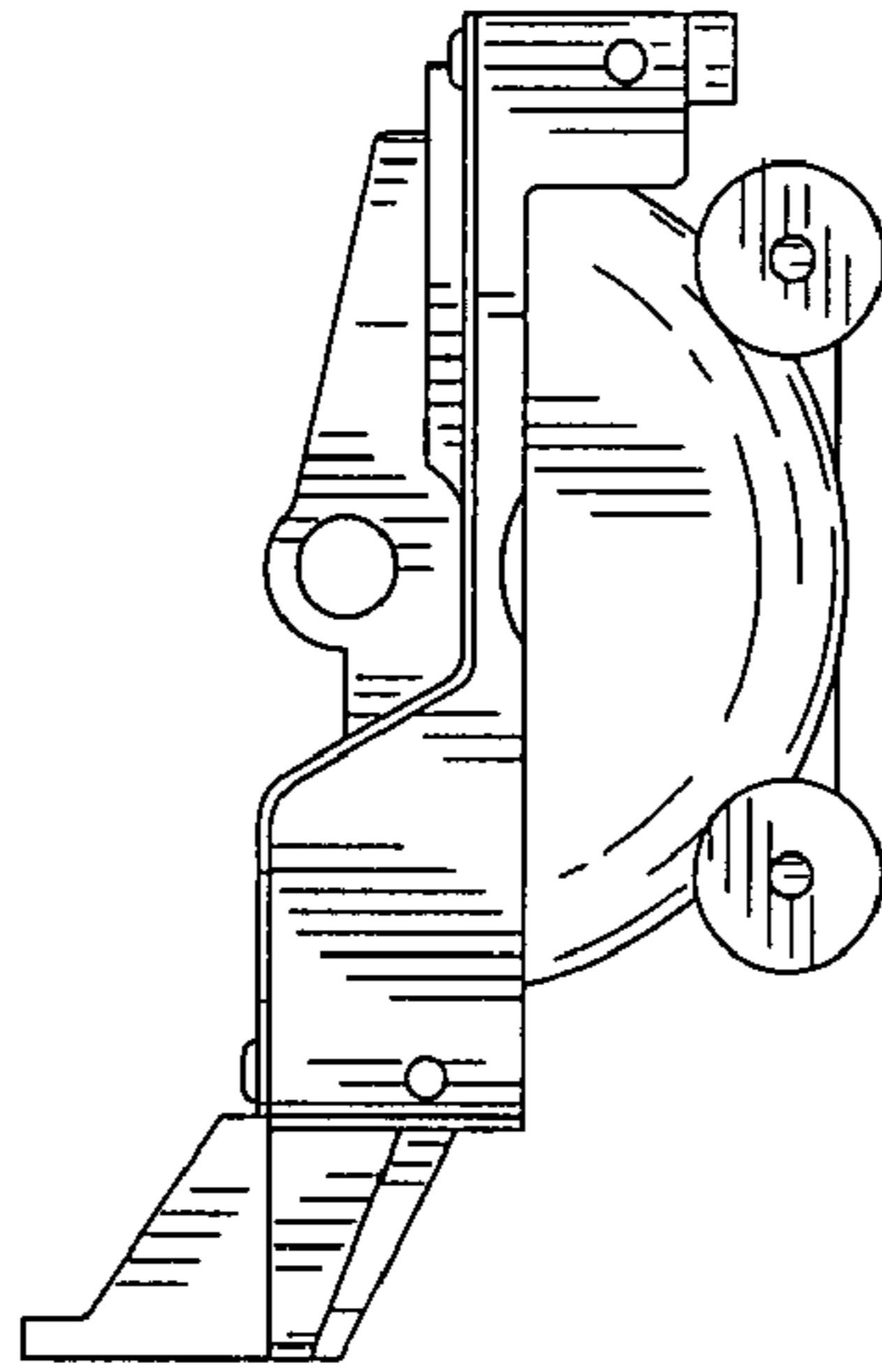


FIG.15

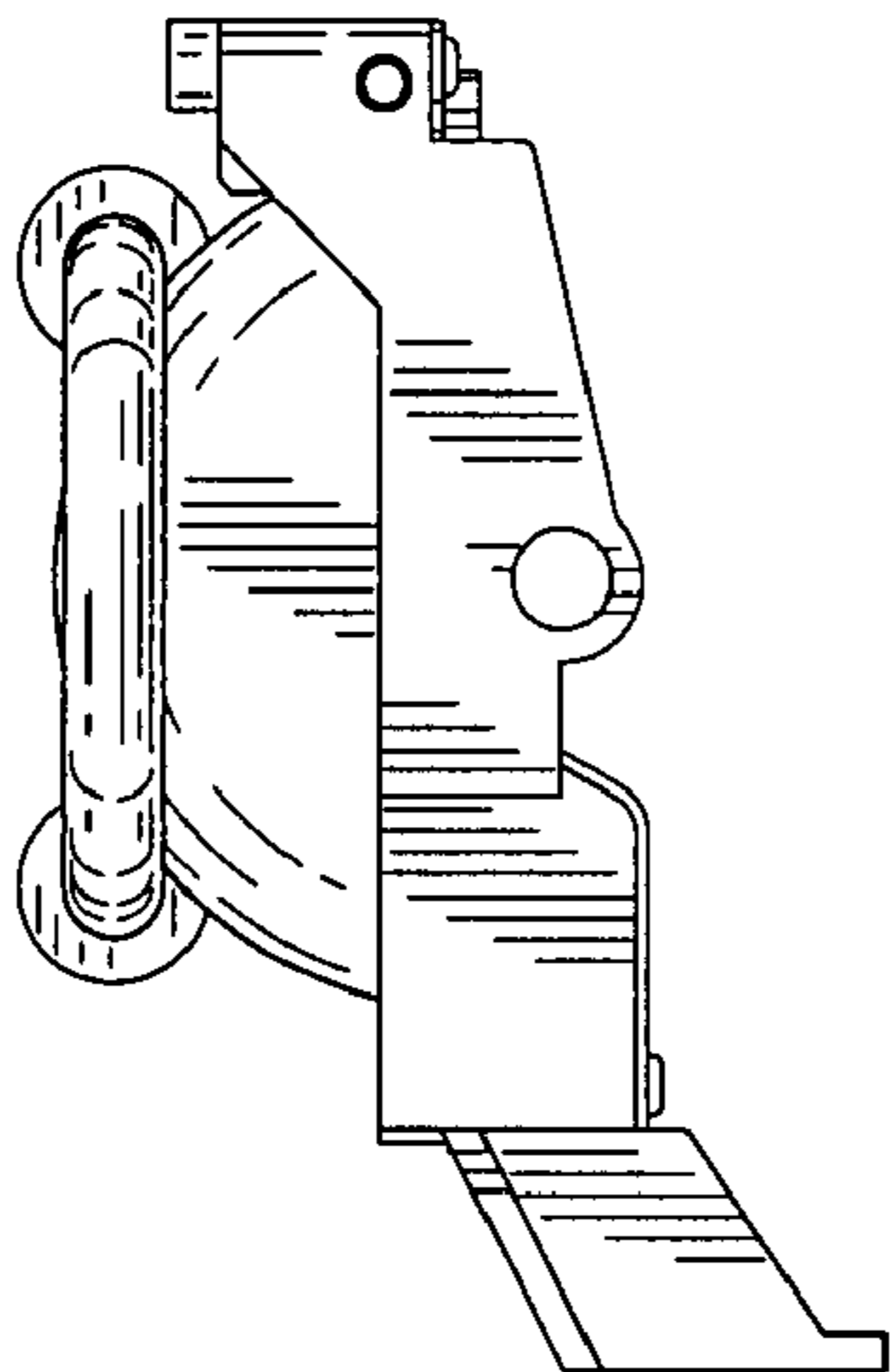


FIG. 16

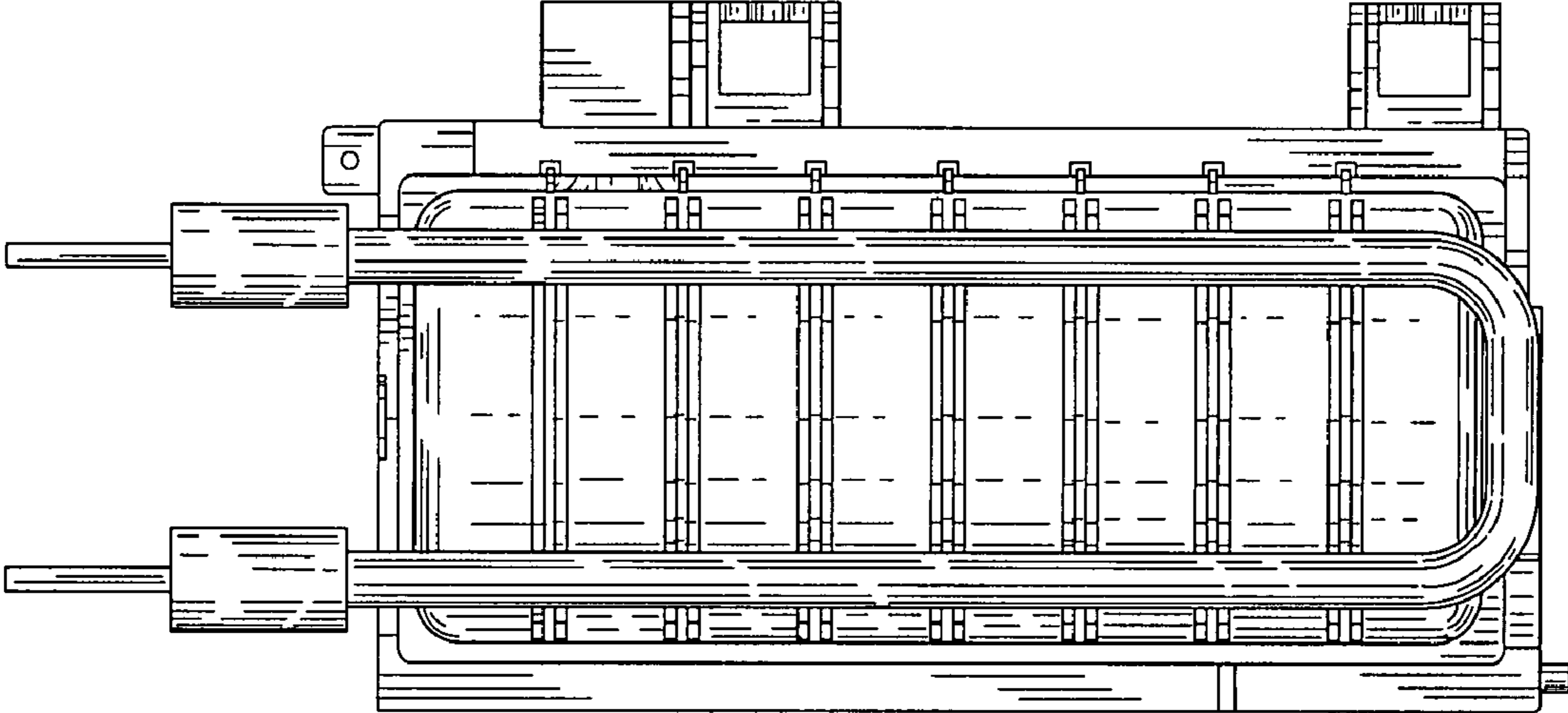


FIG.17

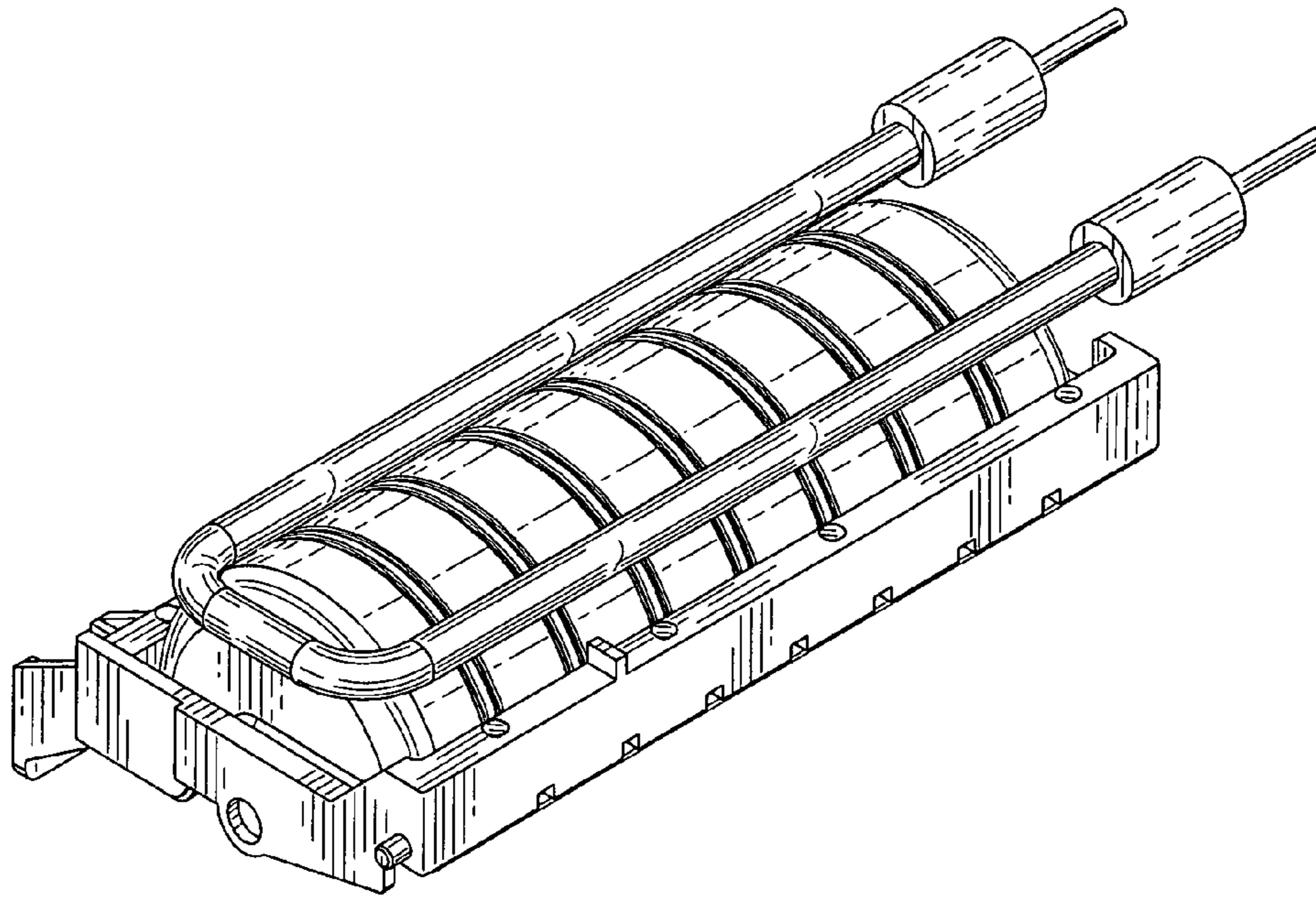


FIG.18

