



US00D605205S

(12) **United States Design Patent**
Guoli et al.

(10) **Patent No.:** **US D605,205 S**
(45) **Date of Patent:** **** Dec. 1, 2009**

(54) **PUMP FOR LIQUIDS**

D471,561 S * 3/2003 Kohsaka D15/7

(75) Inventors: **Giacomo Guoli**, Milan (IT); **Marco Pierobon**, Padua (IT)

* cited by examiner

(73) Assignee: **Newa Tecno Industria S.r.l.**, Loreggia (IT)

Primary Examiner—R. Seifert
(74) *Attorney, Agent, or Firm*—Modiano & Associati; Albert Josif; Daniel J. O’Byrne

(**) Term: **14 Years**

(21) Appl. No.: **29/311,042**

(57) **CLAIM**

(22) Filed: **Dec. 15, 2008**

The ornamental design for a pump for liquids, as shown.

(30) **Foreign Application Priority Data**

DESCRIPTION

Jun. 26, 2008 (EM) 000958855

FIG. 1 is a perspective view of a pump for liquids showing our new design;

(51) **LOC (9) Cl.** **15-02**

FIG. 2 is a front view thereof;

(52) **U.S. Cl.** **D15/7**

FIG. 3 is a rear view thereof;

(58) **Field of Classification Search** D15/7-9;
D23/231, 232, 225; 417/410.1, 359, 415-416,
417/234, 321, 265, 405

FIG. 4 is a left side view thereof;

See application file for complete search history.

FIG. 5 is a right side view thereof;

(56) **References Cited**

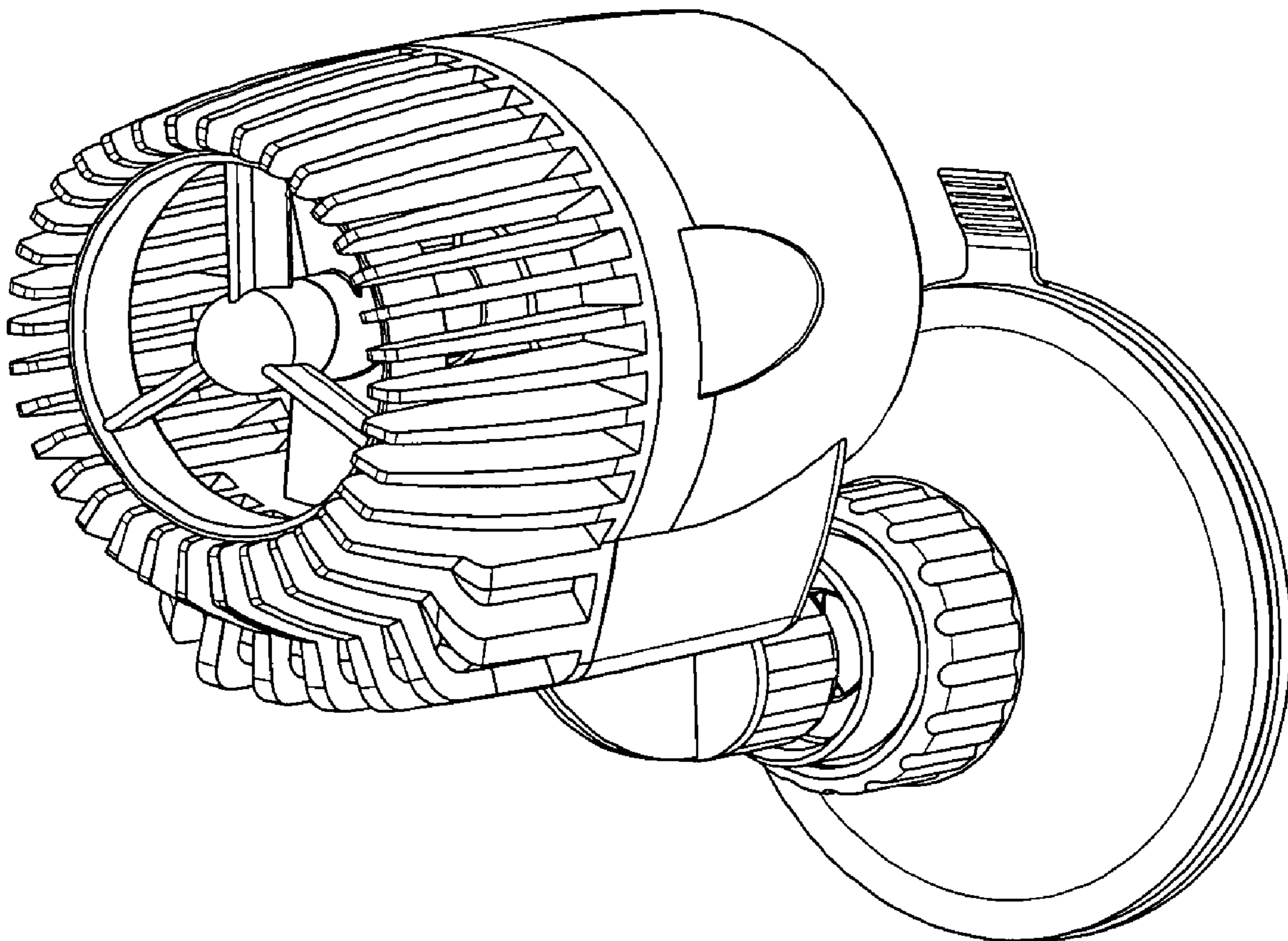
FIG. 6 is a top view thereof; and,

FIG. 7 is a bottom view thereof.

U.S. PATENT DOCUMENTS

D453,775 S * 2/2002 Chou D15/7

1 Claim, 3 Drawing Sheets



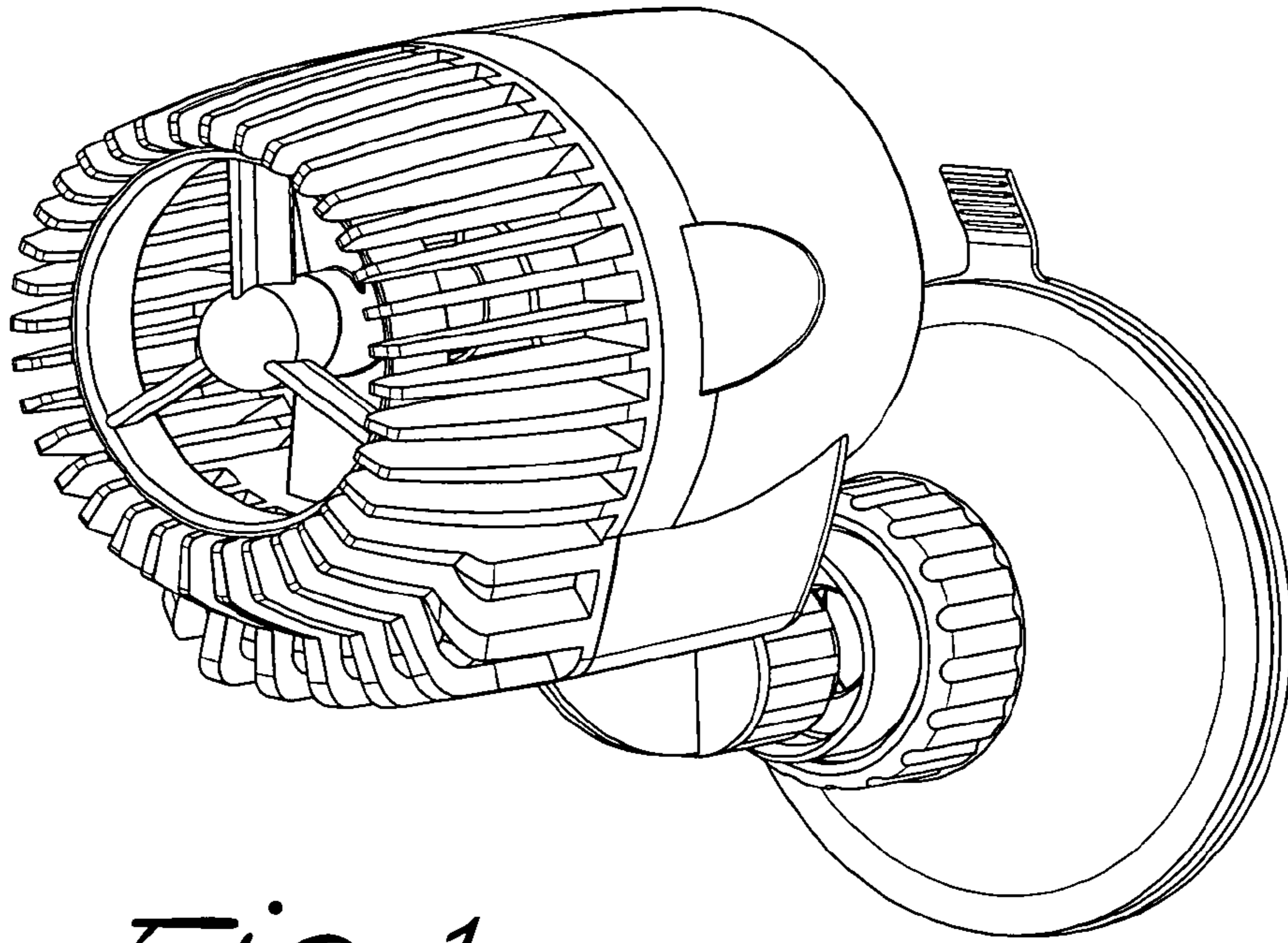


Fig. 1

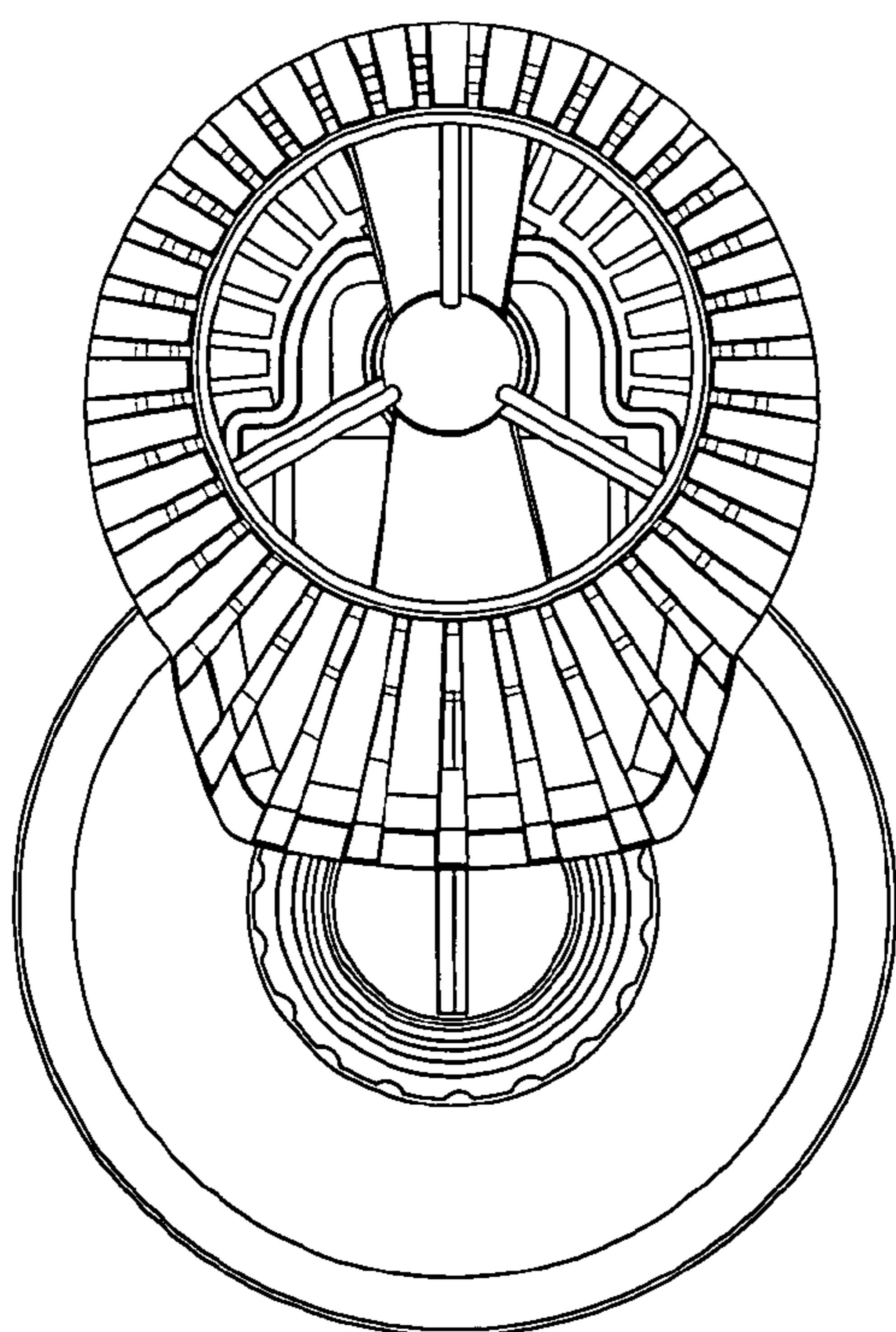


Fig. 2

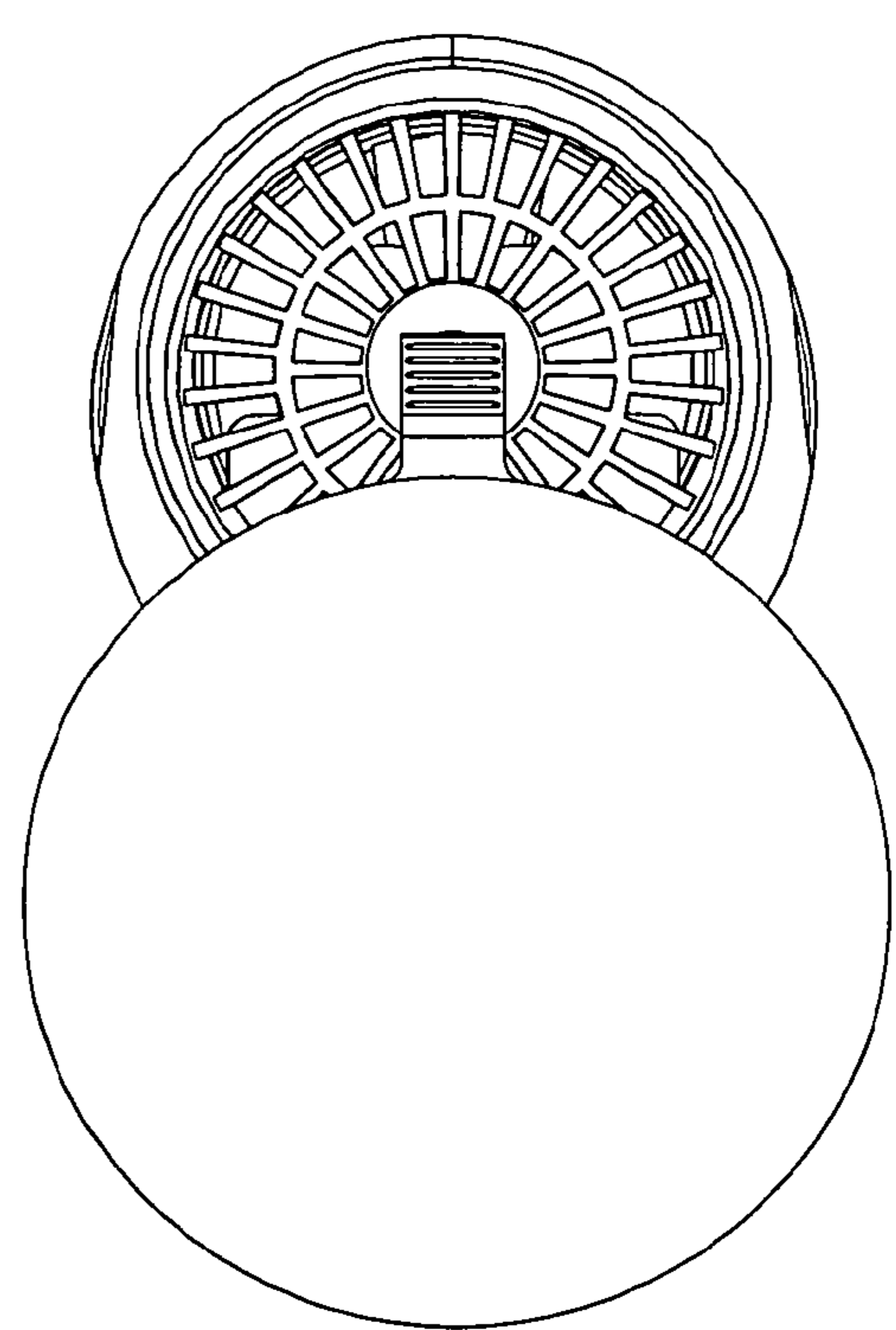


Fig. 3

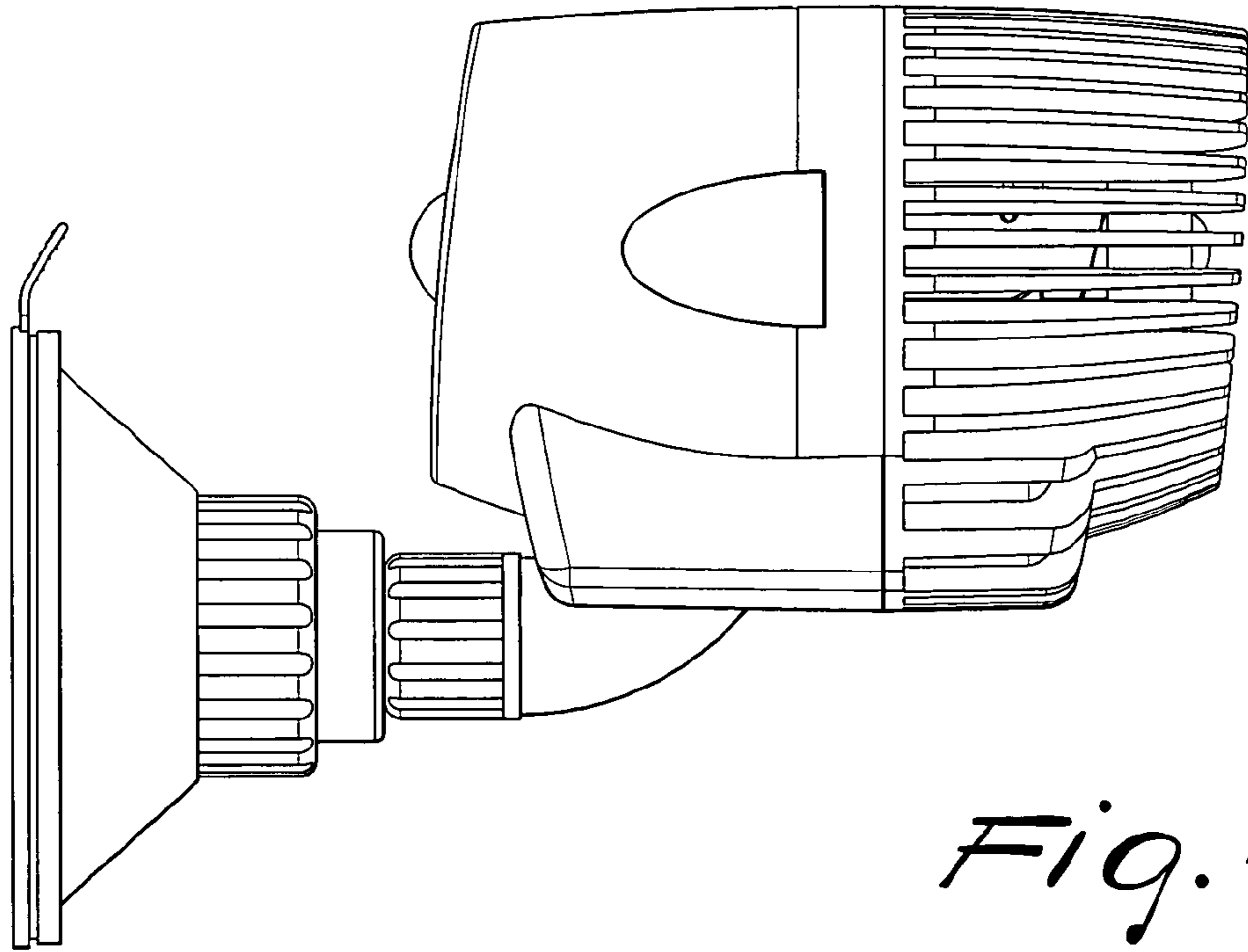


Fig. 4

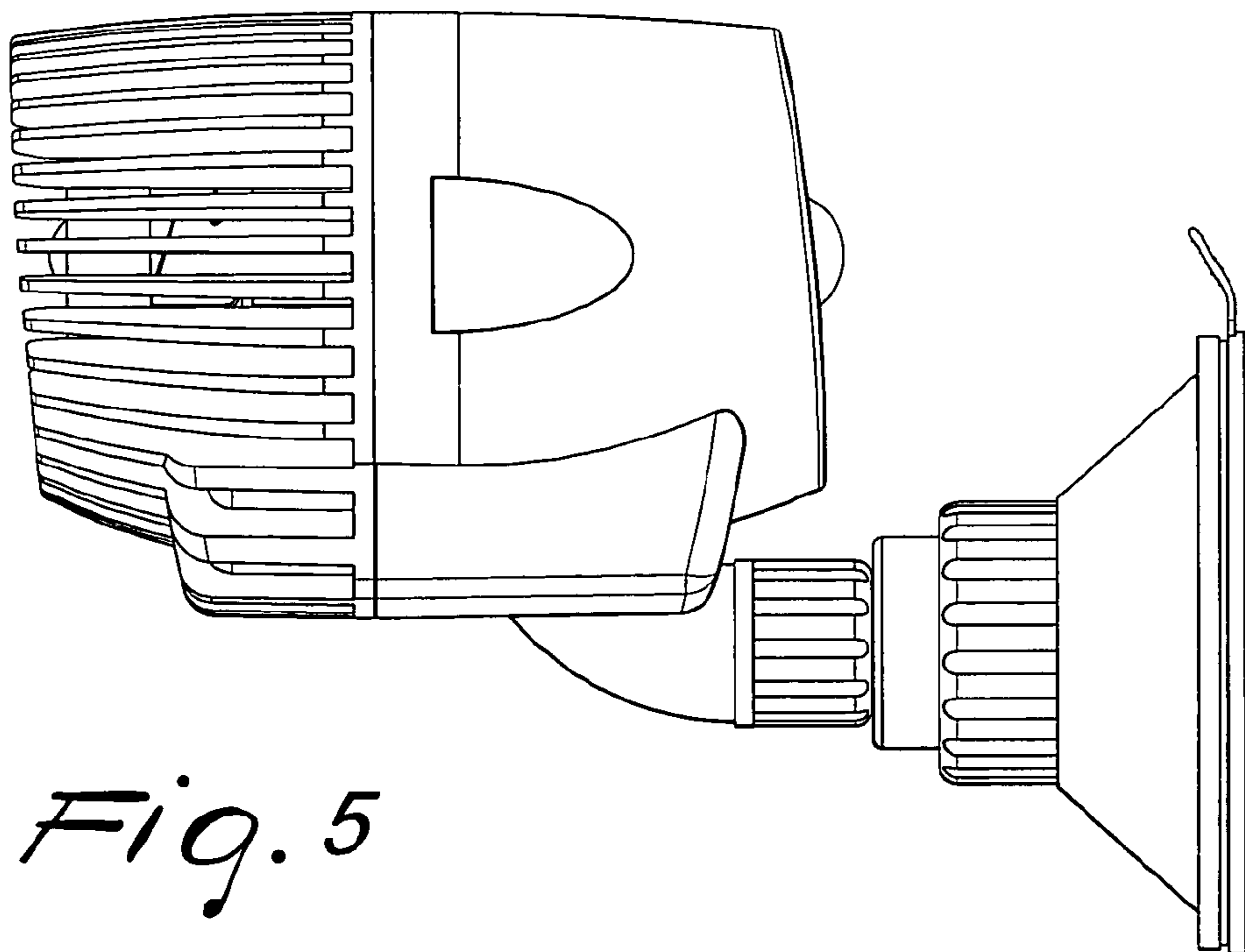


Fig. 5

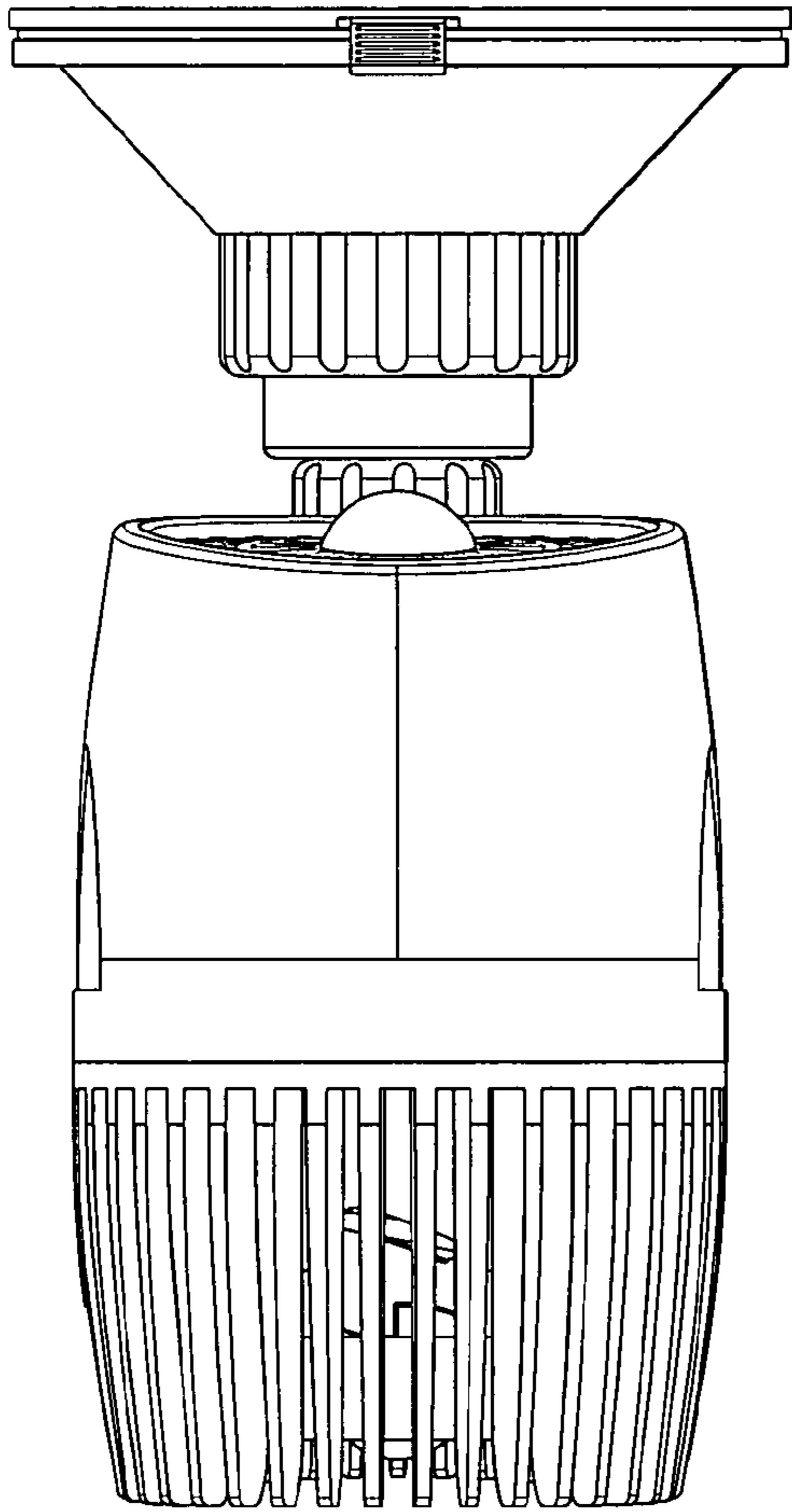


Fig. 6

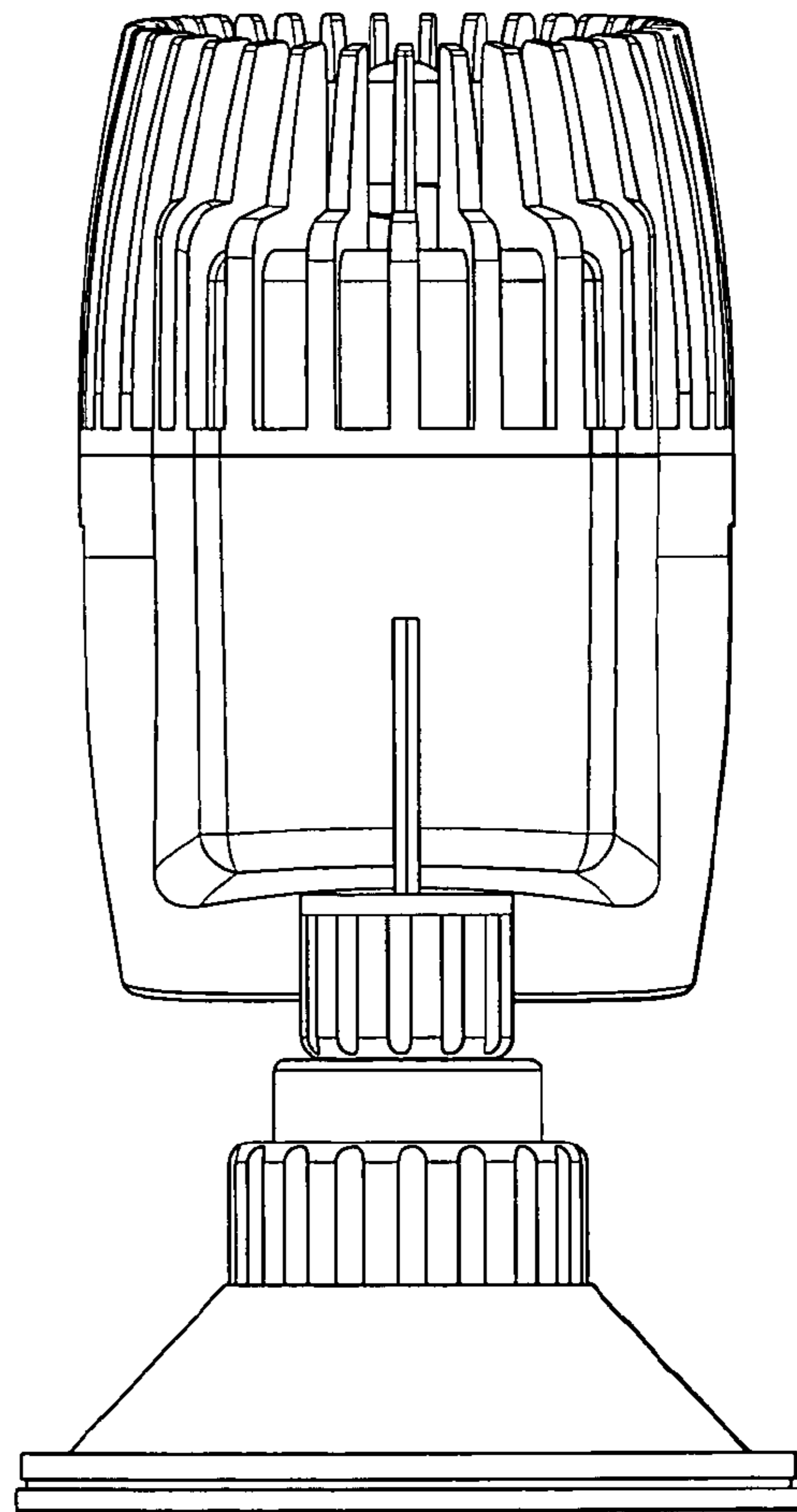


Fig. 7