



US00D605198S

(12) **United States Design Patent**
Otsuka et al.

(10) **Patent No.:** **US D605,198 S**
(45) **Date of Patent:** **** Dec. 1, 2009**

(54) **RECORDING MEDIUM**

CN 3526689D 5/2006

(75) Inventors: **Hitoshi Otsuka**, Tokyo (JP); **Takaharu Ando**, Ryugasaki (JP)

(73) Assignee: **Kabushiki Kaisha Toshiba** (JP)

(**) Term: **14 Years**

(21) Appl. No.: **29/328,606**

(22) Filed: **Nov. 26, 2008**

(30) **Foreign Application Priority Data**

Jun. 2, 2008 (JP) 2008-013864

(51) **LOC (9) Cl.** **14-99**

(52) **U.S. Cl.** **D14/480.5**

(58) **Field of Classification Search** D14/411,
D14/433, 435.1, 436, 480.1-480.7, 484.1,
D14/137, 155, 167, 168, 203.1-203.8, 240,
D14/242, 299; D3/201, 273; D13/107, 108,
D13/149, 184; 361/679.31, 679.33, 679.4,
361/752; 711/100, 115; 710/300, 301; 439/131,
439/135-147

See application file for complete search history.

(56) **References Cited**

U.S. PATENT DOCUMENTS

D374,988 S * 10/1996 Hillinger D3/294
D449,615 S 10/2001 Lloyd
D490,814 S 6/2004 Kim
D514,560 S 2/2006 Brown et al.
D518,907 S * 4/2006 Leung D14/480.5
D521,509 S 5/2006 Chen

(Continued)

FOREIGN PATENT DOCUMENTS

CN 3390600D 9/2004

OTHER PUBLICATIONS

USB MS/MS PRO/MS-DUO Card Reader Manufacturer, [online], [retrieved on Jan. 8, 2007]. Retrieved from the Internet <URL: http://www.globalsources.com/gsol/1/Memory-card/p/bg/1002053495.htm>.*

Elecom Catalog of USB Flash Memory, Nov. 28, 2006, p. 8.

Primary Examiner—Cathron C Brooks

Assistant Examiner—Karen E Kearney

(74) *Attorney, Agent, or Firm*—Banner & Witcoff, Ltd.

(57) **CLAIM**

The ornamental design for a recording medium, as shown and described.

DESCRIPTION

FIG. 1 is a front perspective view of a recording medium, showing our new design;

FIG. 2 is a top plan view thereof;

FIG. 3 is a front elevational view thereof;

FIG. 4 is a bottom plan view thereof;

FIG. 5 is a rear elevational view thereof;

FIG. 6 is a left side elevational view thereof;

FIG. 7 is a right side elevational view thereof;

FIG. 8 is a front perspective view thereof, shown without a cap for completeness of illustration;

FIG. 9 is a top plan view of FIG. 8;

FIG. 10 is a front elevational view of FIG. 8;

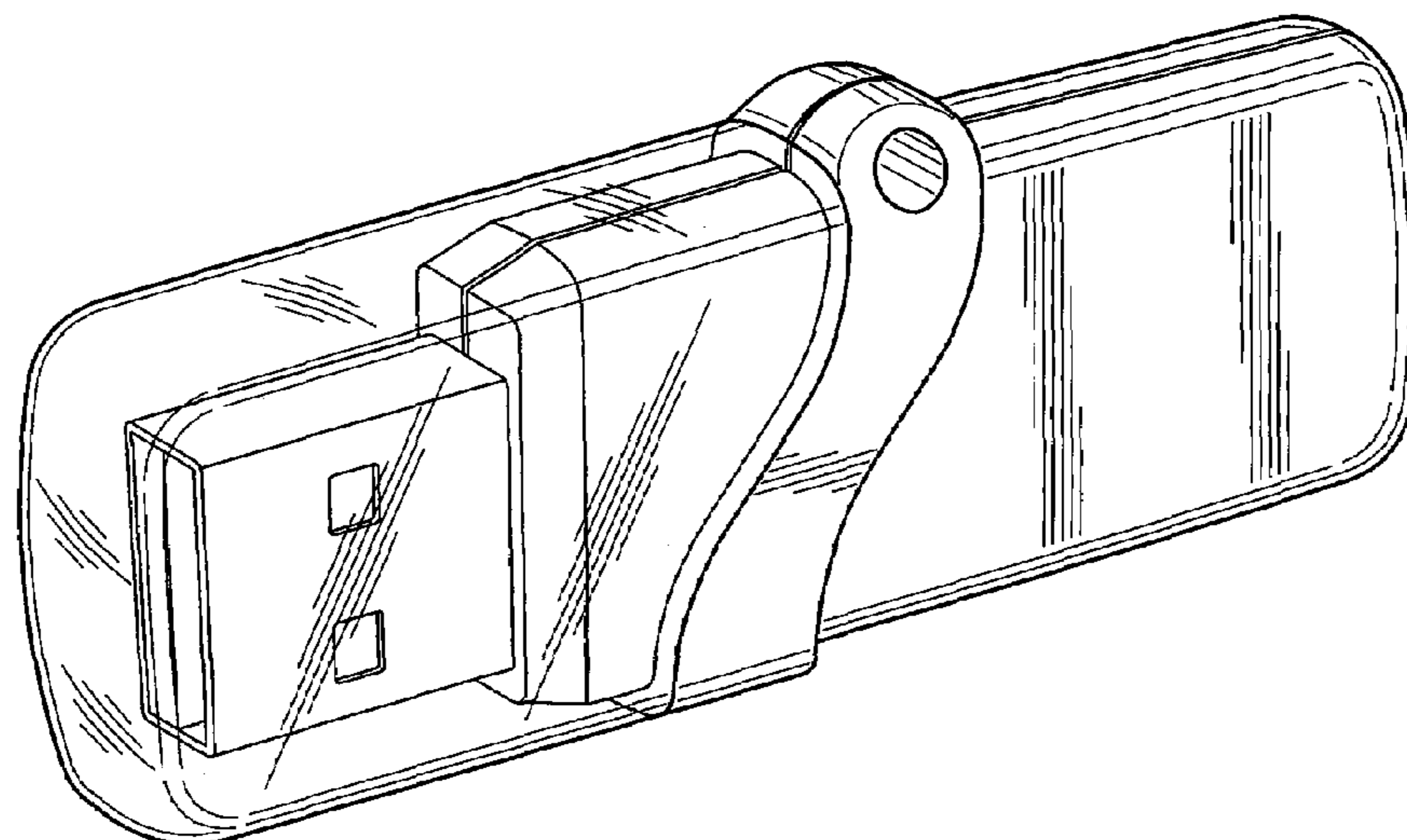
FIG. 11 is a bottom plan view of FIG. 8;

FIG. 12 is a rear elevational view of FIG. 8;

FIG. 13 is a left side elevational view of FIG. 8, the right side elevational view being identical to FIG. 7; and,

FIG. 14 is a front perspective view thereof in a state in which a cap is attached to the back part of the body.

1 Claim, 5 Drawing Sheets



US D605,198 S

Page 2

U.S. PATENT DOCUMENTS

D524,811 S	7/2006	Kent et al.	D554,119 S	10/2007	Otsuka et al.	
D524,814 S	7/2006	Kent et al.	D558,785 S *	1/2008	Kofford	D14/496
D527,477 S	8/2006	Chen	D567,239 S	4/2008	Perrier et al.	
D532,783 S	11/2006	Yu	D577,019 S	9/2008	Udagawa et al.	
D543,202 S	5/2007	Siu	2006/0190664 A1 *	8/2006	Chen	710/313
D545,310 S	6/2007	Chen	2006/0234533 A1 *	10/2006	Lei et al.	439/135
D546,325 S	7/2007	Chen	2006/0258196 A1 *	11/2006	Chen et al.	439/141

* cited by examiner

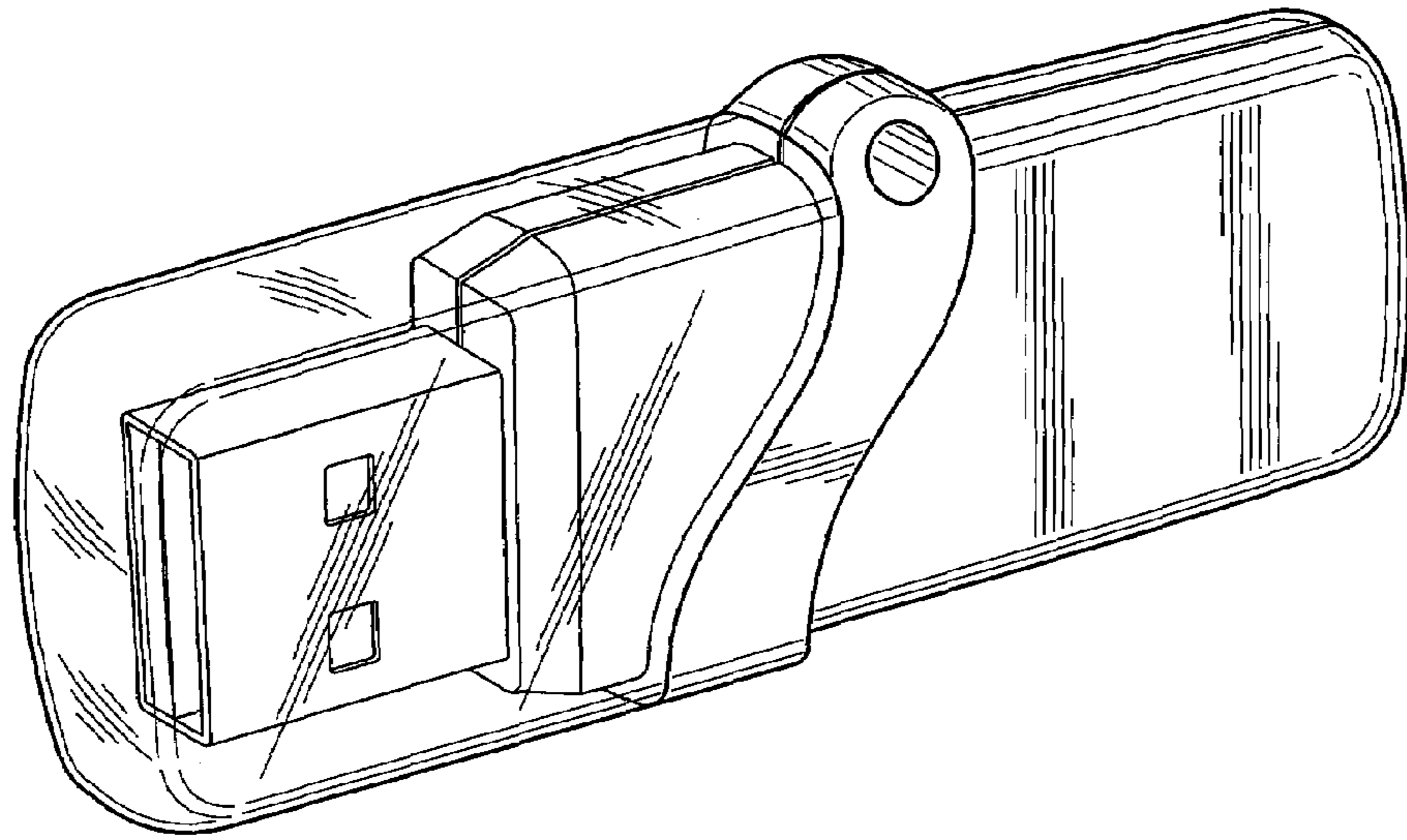


FIG. 1

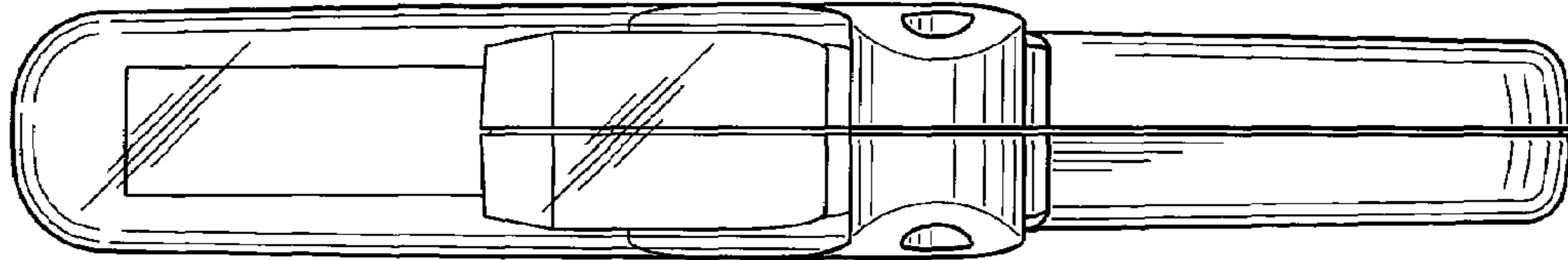


FIG. 2

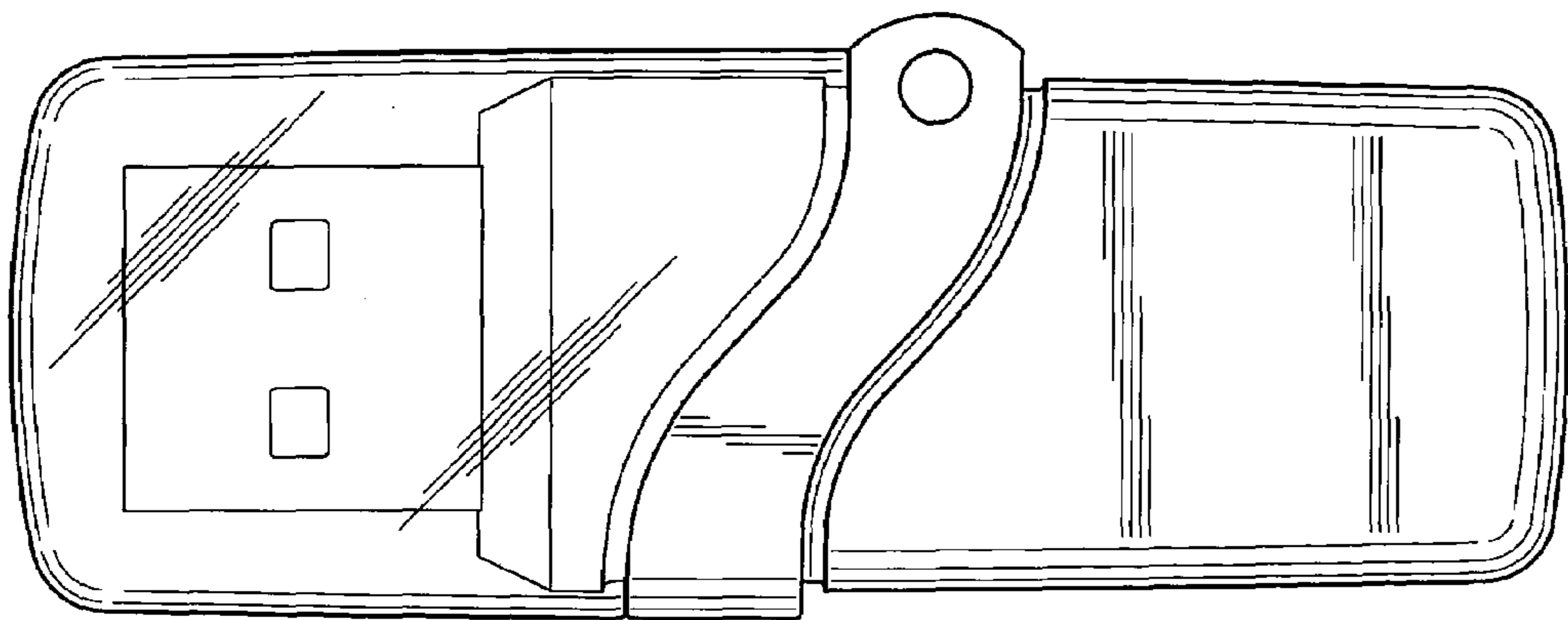


FIG. 3

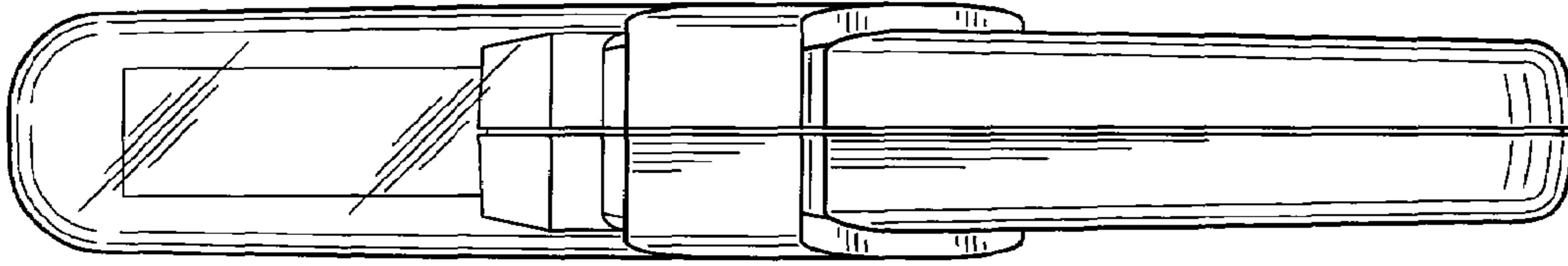


FIG. 4

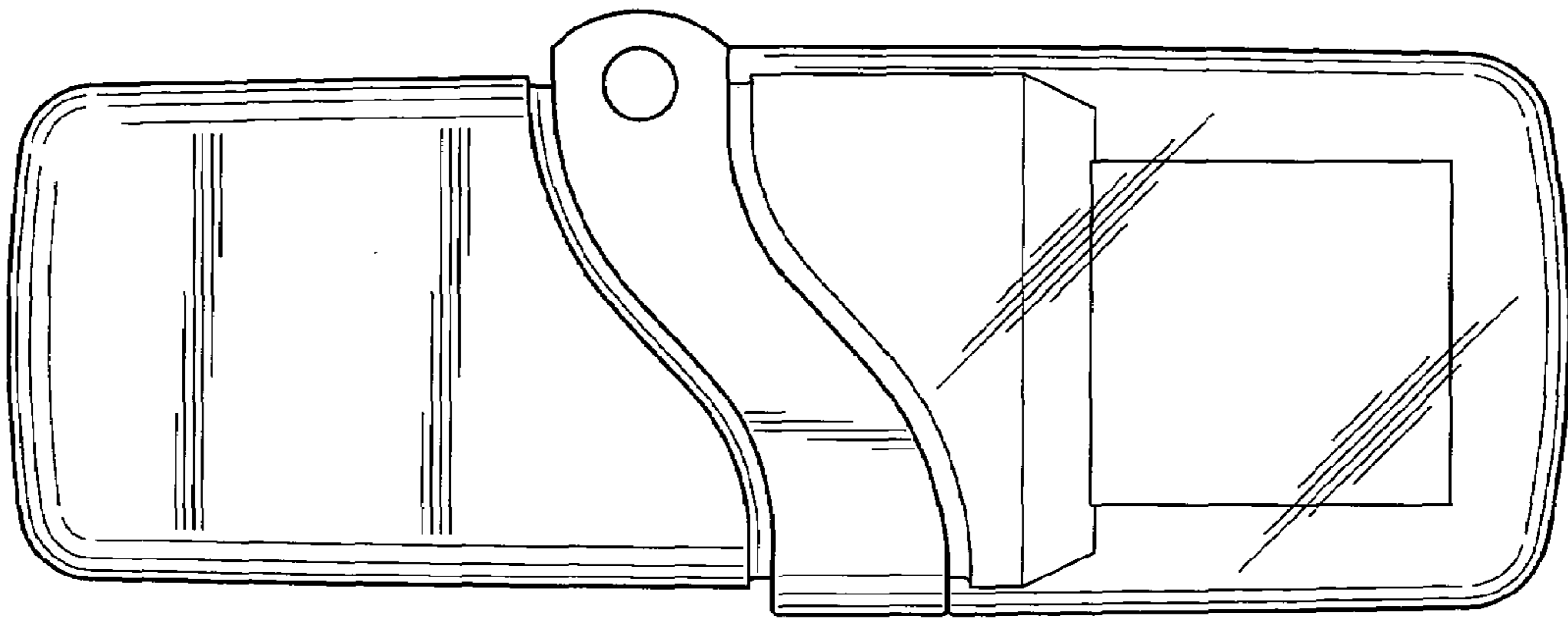


FIG. 5

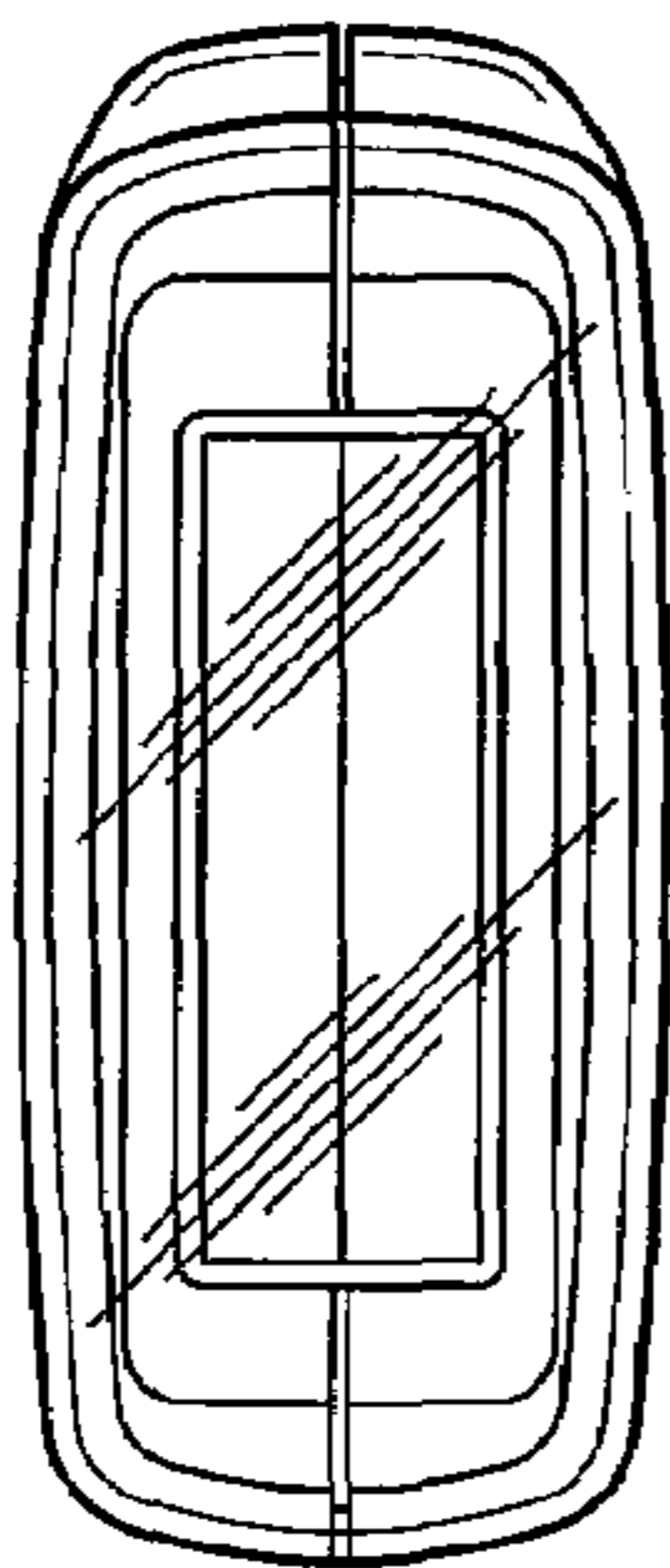


FIG. 6

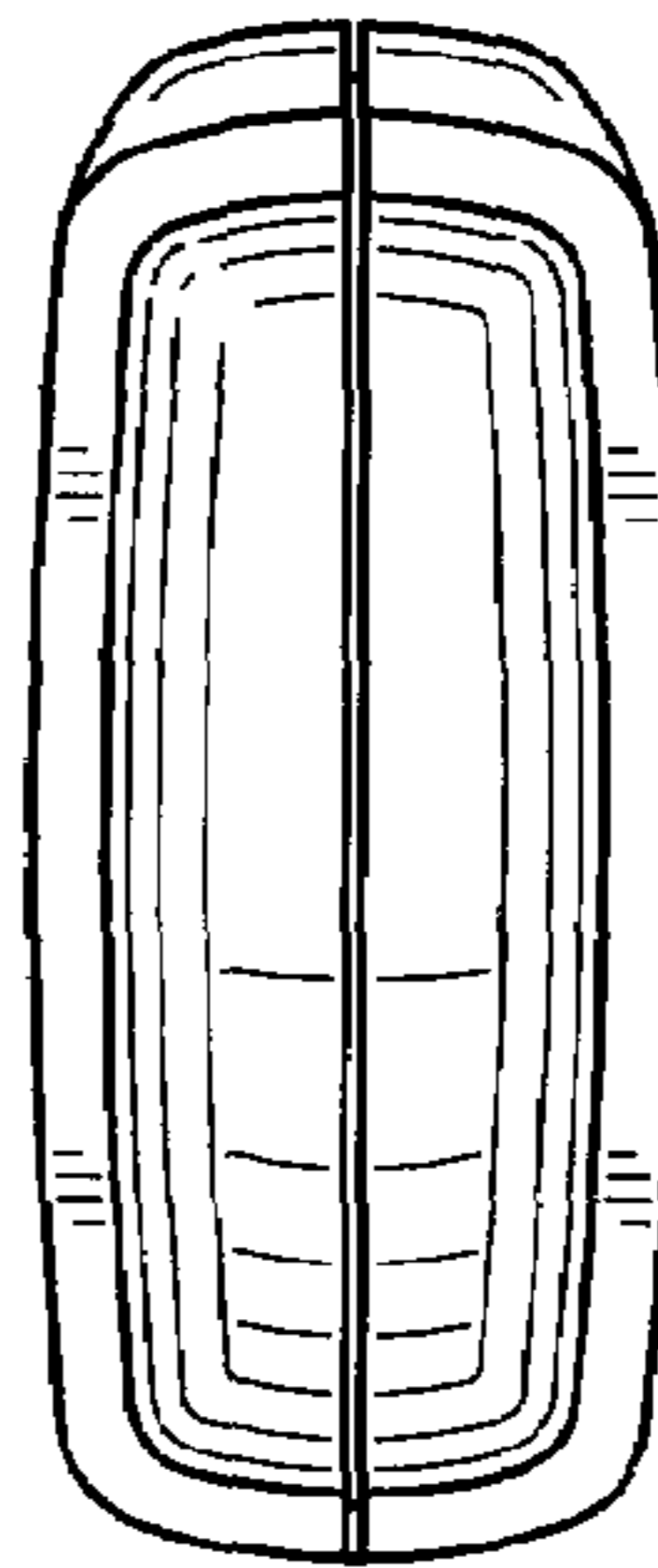


FIG. 7

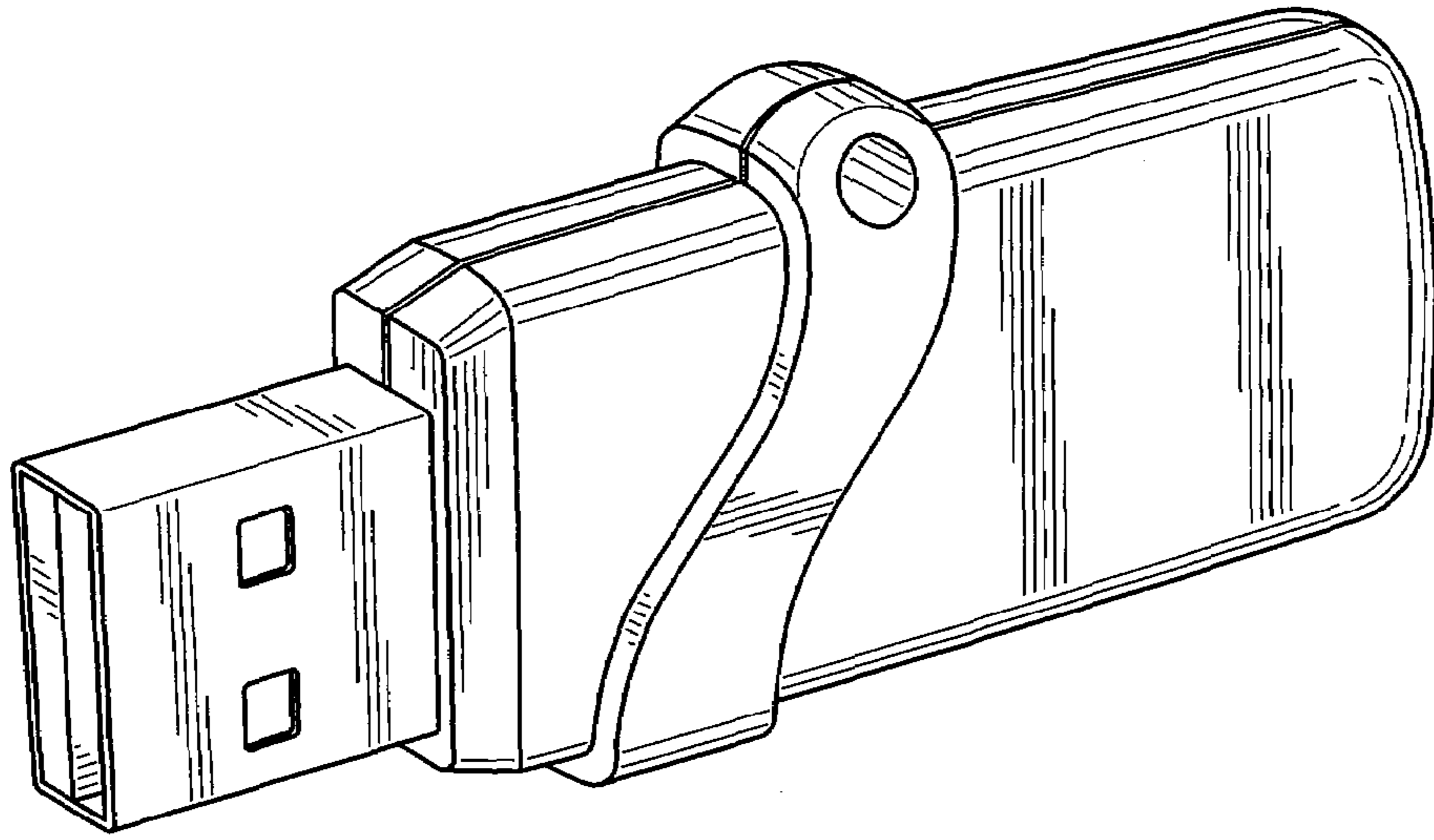


FIG. 8

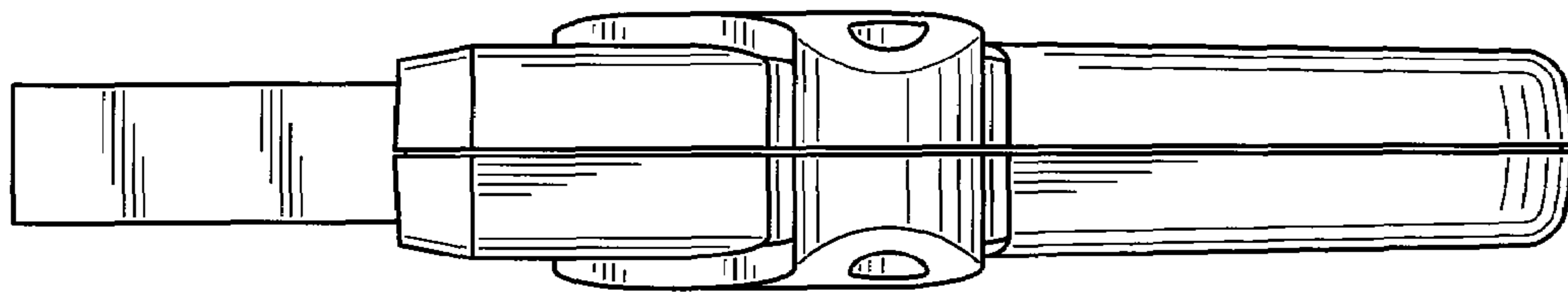


FIG. 9

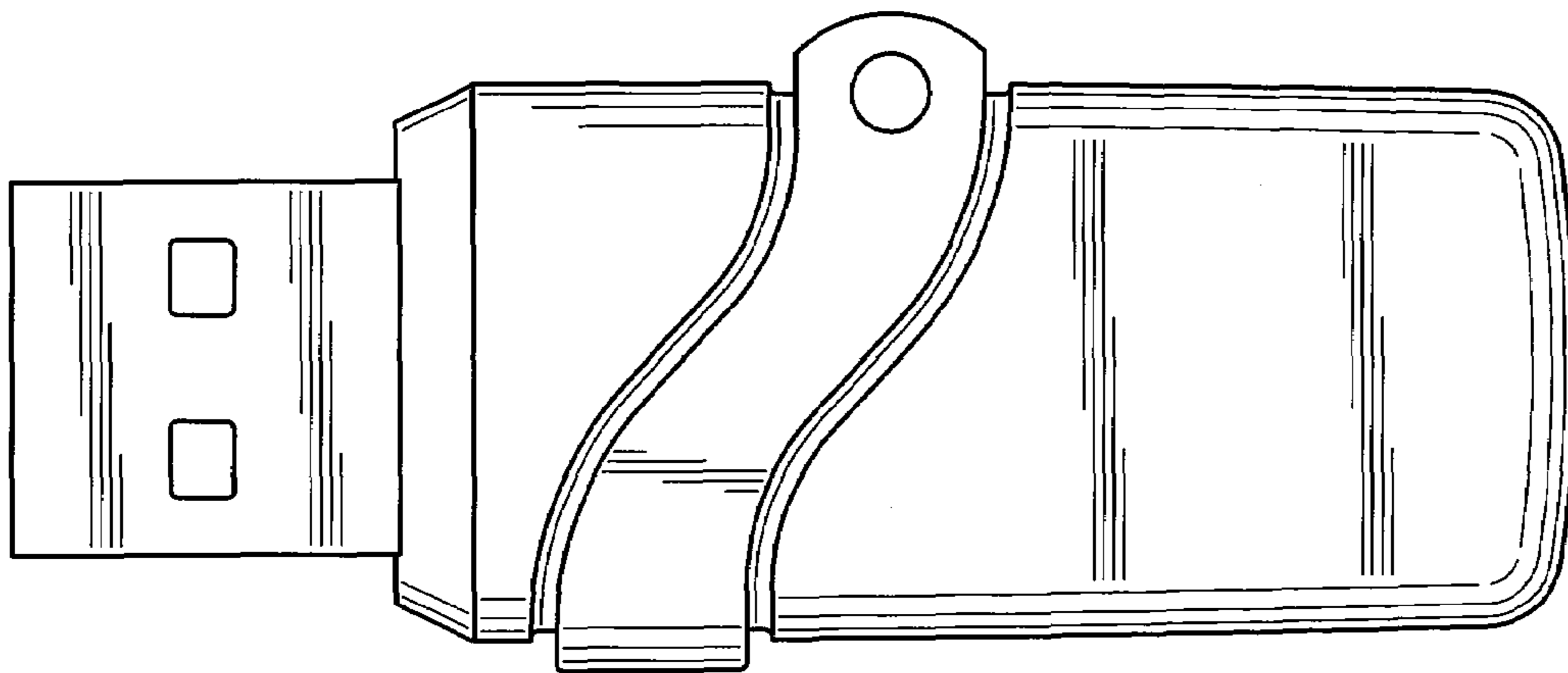


FIG. 10

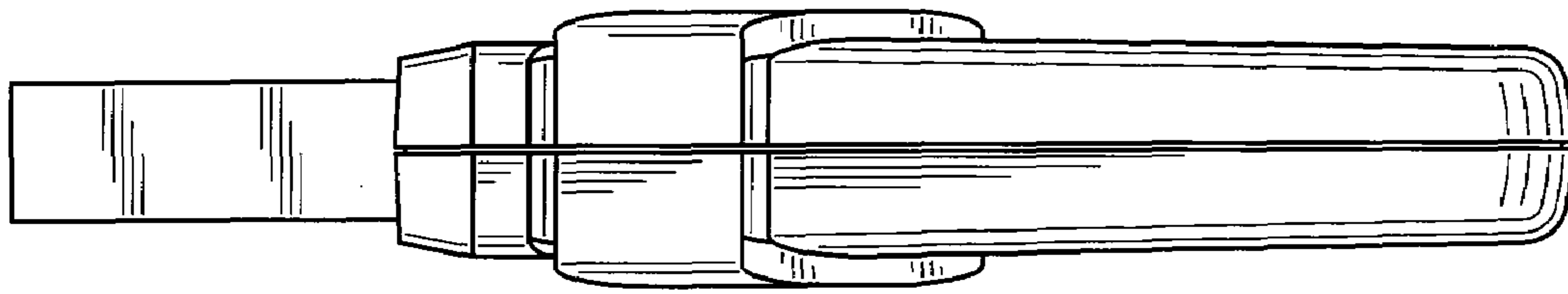


FIG. 11

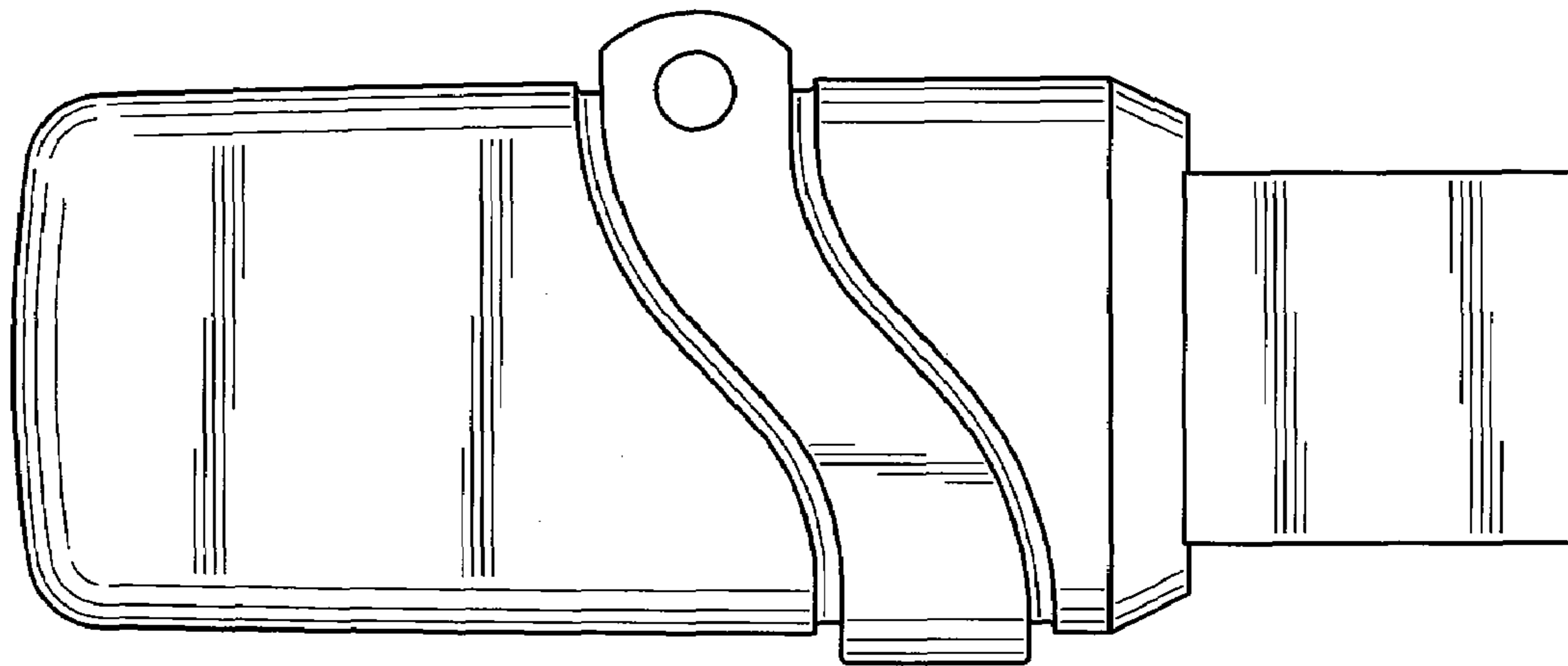


FIG. 12

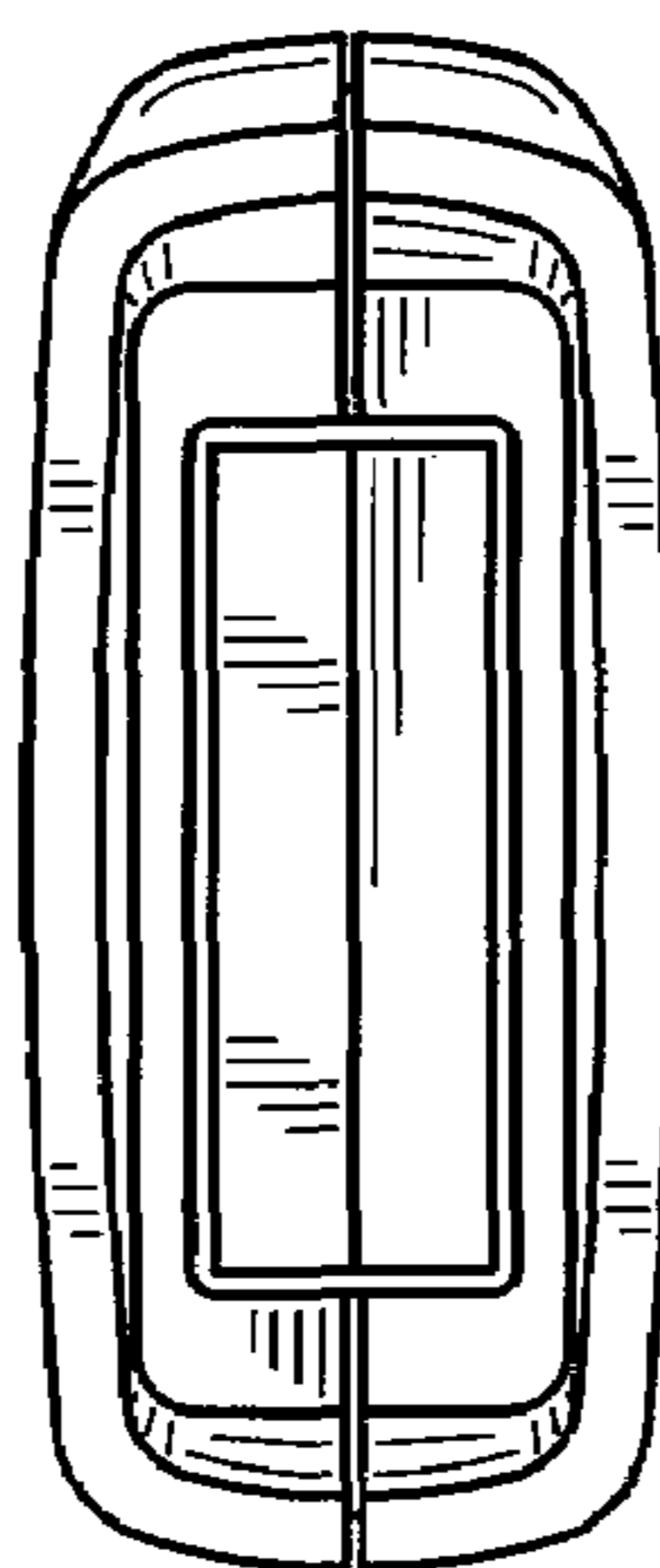


FIG. 13

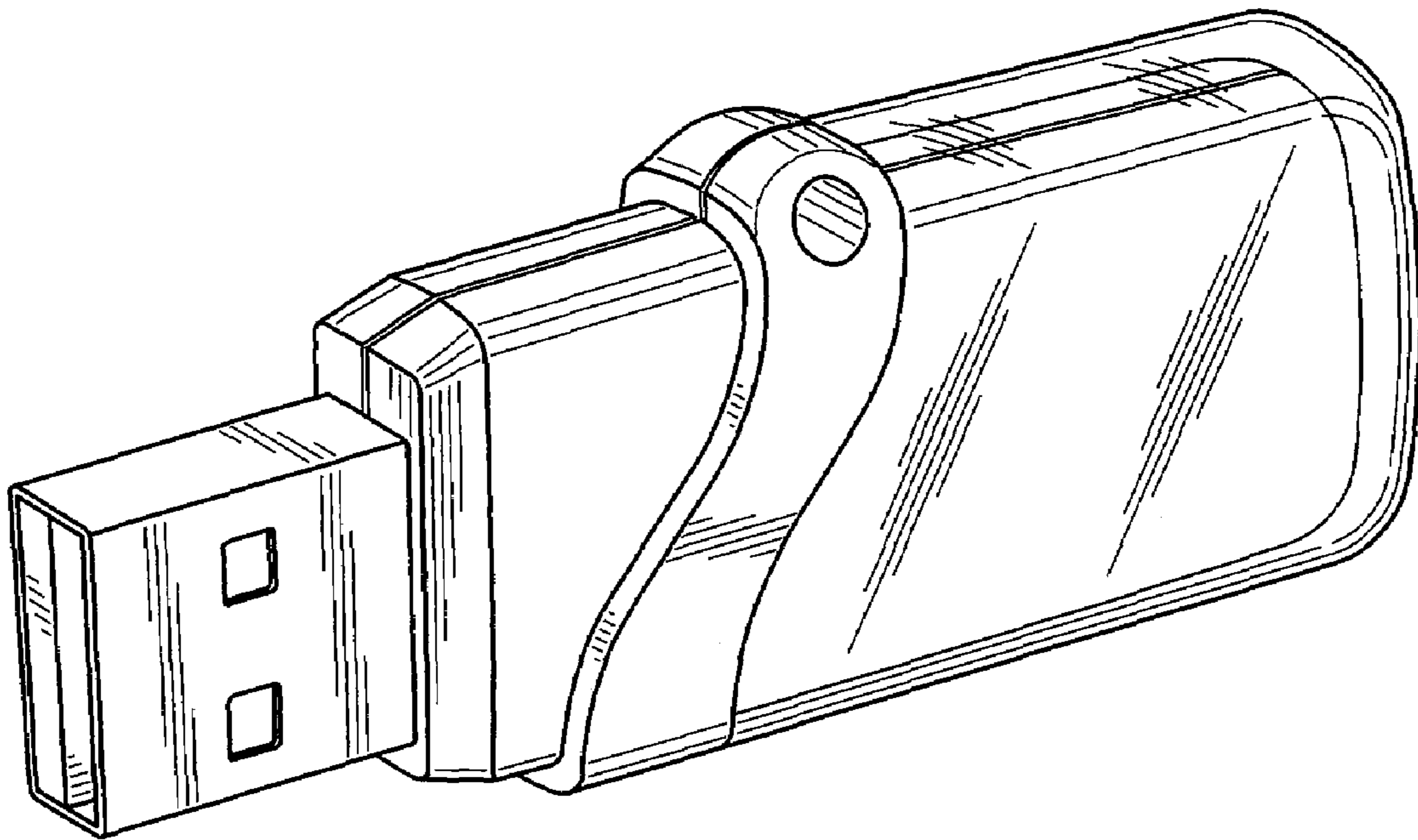


FIG.14