



US00D605197S

(12) **United States Design Patent**
Pascucci

(10) **Patent No.:** **US D605,197 S**
(45) **Date of Patent:** **** Dec. 1, 2009**

(54) **COMPUTER INPUT DEVICE**

(75) Inventor: **Antonio Pascucci**, Seefeld (DE)

(73) Assignee: **3Dconnexion GmbH**,
Romanel-sur-Morges (CH)

(**) Term: **14 Years**

(21) Appl. No.: **29/279,871**

(22) Filed: **May 9, 2007**

(30) **Foreign Application Priority Data**

Nov. 10, 2006 (EM) 000619390

(51) **LOC (9) Cl.** **14-02**

(52) **U.S. Cl.** **D14/408**

(58) **Field of Classification Search** D14/402–411,
D14/356, 388, 389, 383–385, 417, 426; 345/156–167;
463/36–38; 358/471, 473

See application file for complete search history.

(56) **References Cited**

U.S. PATENT DOCUMENTS

D350,344 S *	9/1994	Nakada	D14/417
D376,140 S *	12/1996	Schultz	D14/405
D377,485 S *	1/1997	Kaneko et al.	D14/417
D391,943 S *	3/1998	Han	D14/356
D391,944 S *	3/1998	Han	D14/356
D399,499 S *	10/1998	Kaneko et al.	D14/417
D411,525 S *	6/1999	Franklin	D14/409
6,219,036 B1 *	4/2001	Urita	345/161
6,225,980 B1 *	5/2001	Weiss et al.	345/161
6,262,715 B1 *	7/2001	Sawyer	345/163
6,275,215 B1 *	8/2001	Kim	345/163
6,359,611 B2 *	3/2002	Chan	345/156
D481,039 S *	10/2003	Gombert	D14/398
D492,311 S *	6/2004	Suzuki	D14/402
6,797,896 B2 *	9/2004	Lee	200/6 A
6,828,958 B2 *	12/2004	Davenport	345/163
D521,512 S *	5/2006	Kunzi et al.	D14/388
D534,536 S *	1/2007	Matsuoka	D14/408
D555,605 S *	11/2007	Parnell	D13/171
D555,651 S *	11/2007	Pascucci	D14/408
7,436,398 B2 *	10/2008	Yuasa et al.	345/184
D579,937 S *	11/2008	Cohen	D14/408

D583,817 S * 12/2008 Satou et al. D14/383

FOREIGN PATENT DOCUMENTS

JP 1339842 8/2008

OTHER PUBLICATIONS

Japanese Patent Office; Office action of Sep. 9, 2008 in application No. 2008-011459.

* cited by examiner

Primary Examiner—Cathron C Brooks

Assistant Examiner—Deanna Fluegeman

(74) *Attorney, Agent, or Firm*—Thomas R. FitzGerald, Esq.;
Hiscock & Barclay, LLP

(57) **CLAIM**

The ornamental design for a computer input device, as shown and described.

DESCRIPTION

FIG. 1 is a top view of an embodiment of the design;

FIG. 2 is a bottom view thereof;

FIG. 3 is a first side view thereof;

FIG. 4 is a first perspective view thereof;

FIG. 5 is a second perspective view thereof;

FIG. 6 is a back view thereof;

FIG. 7 is a front view thereof;

FIG. 8 is a second side view thereof;

FIG. 9 is a top view of an alternative embodiment of the design;

FIG. 10 is a bottom view thereof;

FIG. 11 is a first side view thereof;

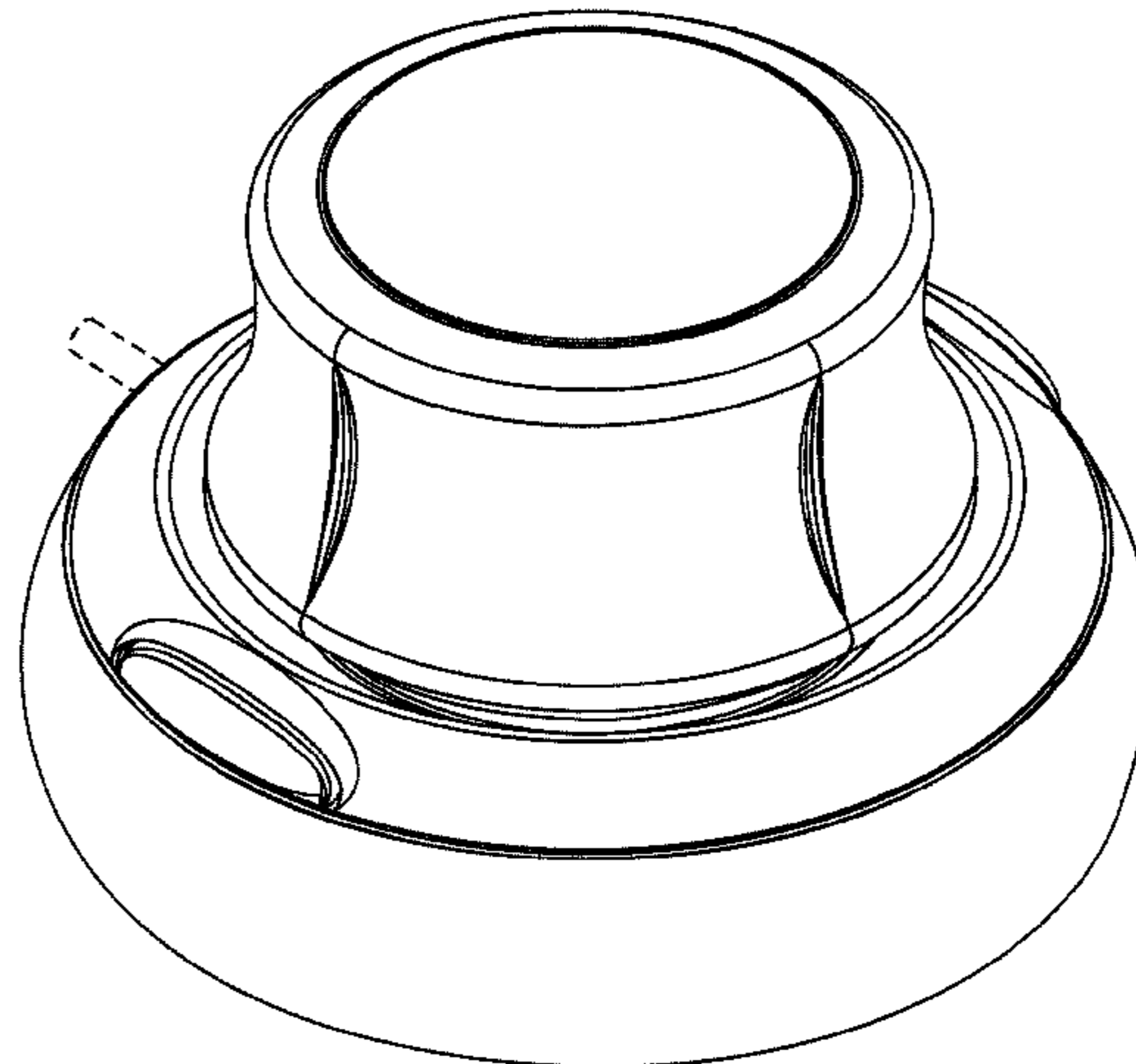
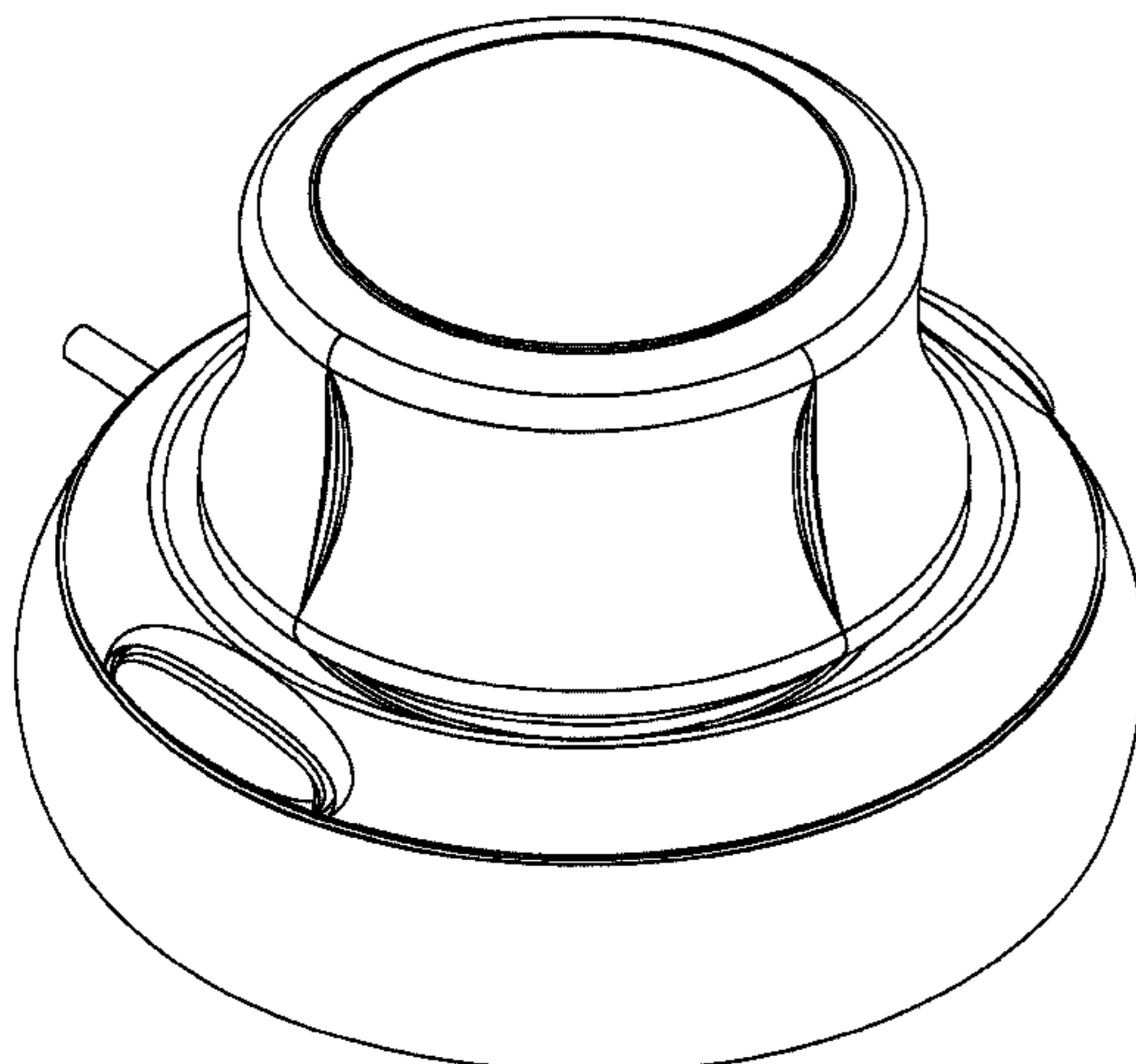
FIG. 12 is a first perspective view thereof;

FIG. 13 is a back view thereof; and,

FIG. 14 is a second side view thereof.

The broken lines in the drawings illustrate unclaimed portions of the computer input device and form no part of the claimed design.

1 Claim, 14 Drawing Sheets



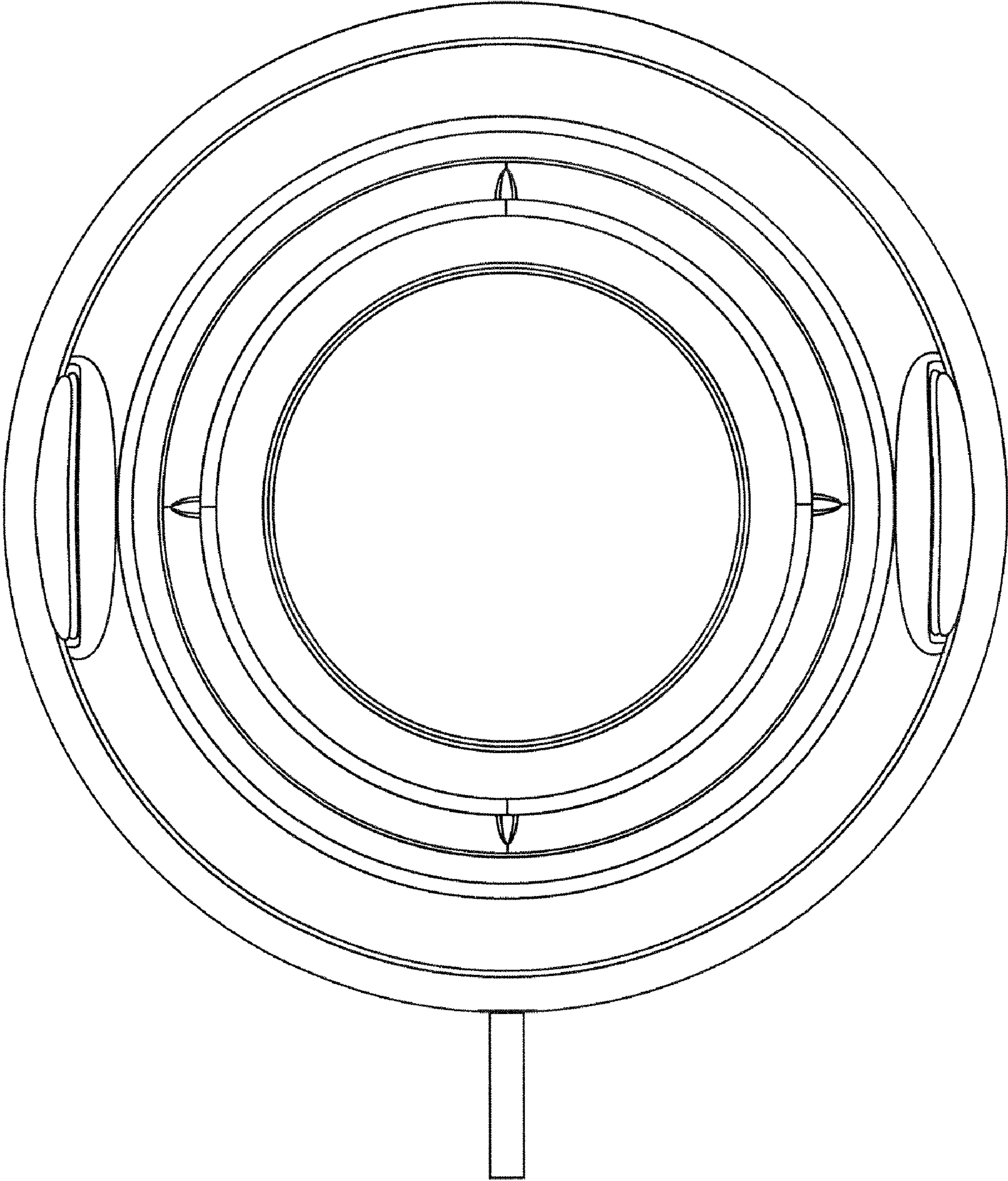


FIG. 1

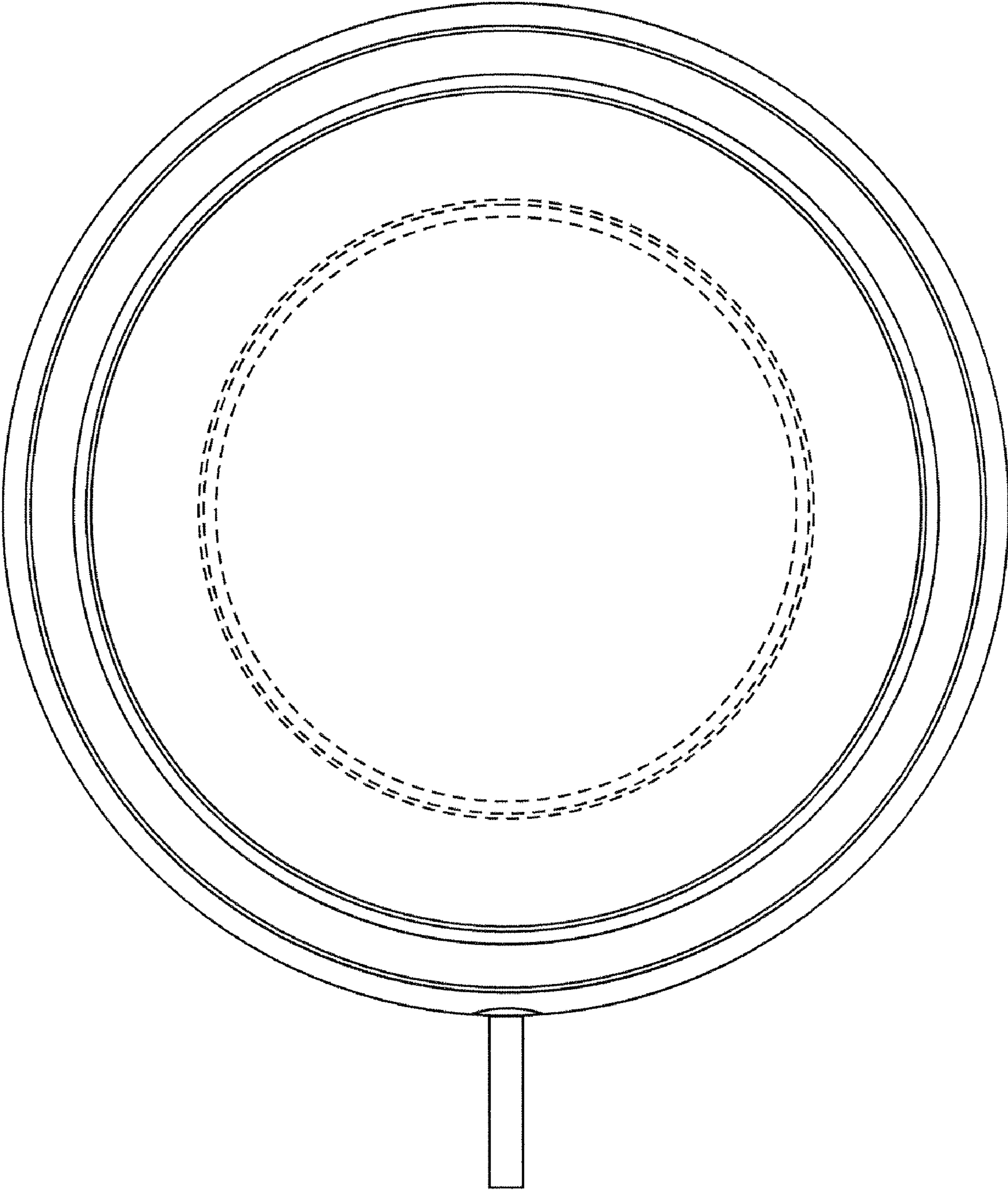


FIG. 2

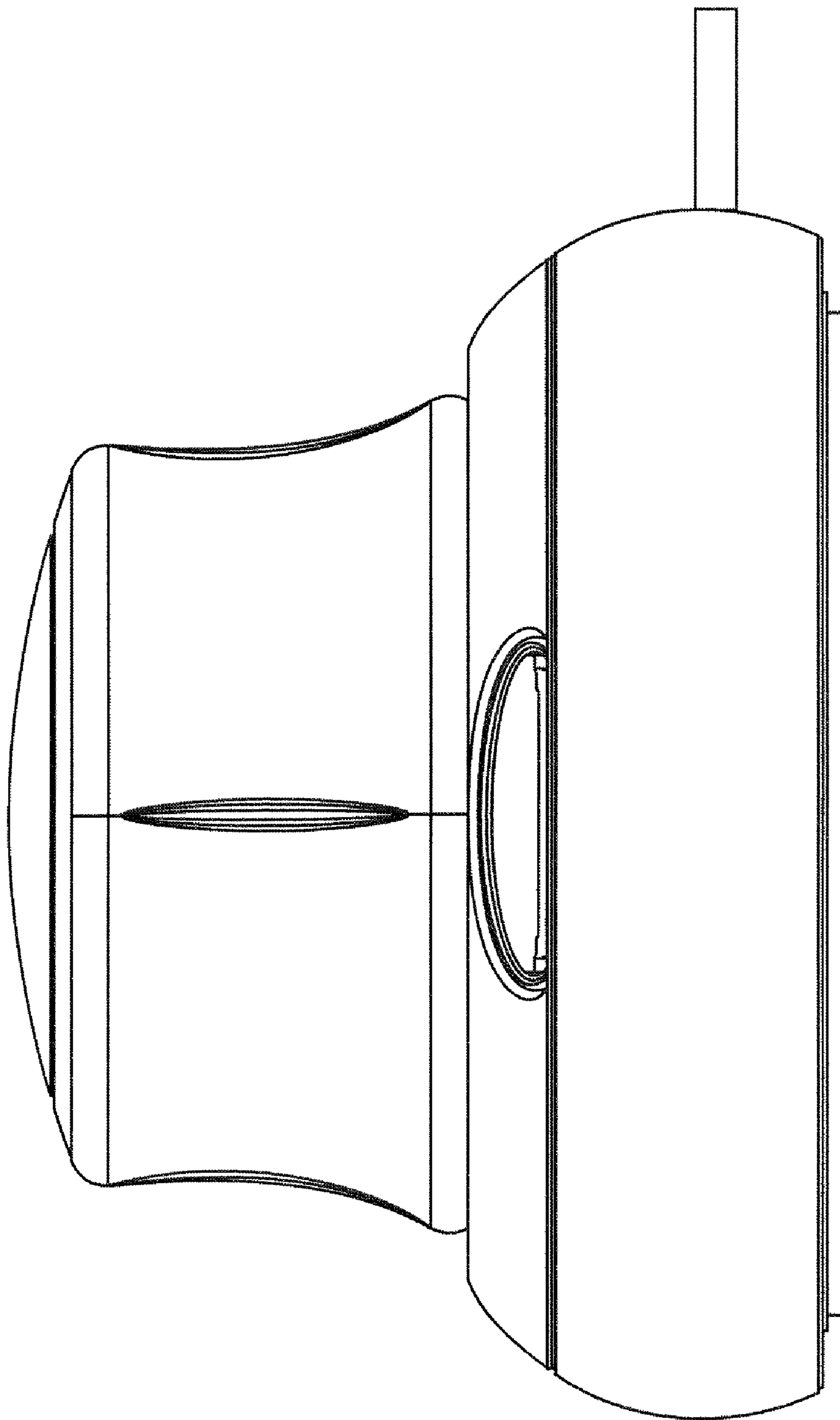


FIG. 3

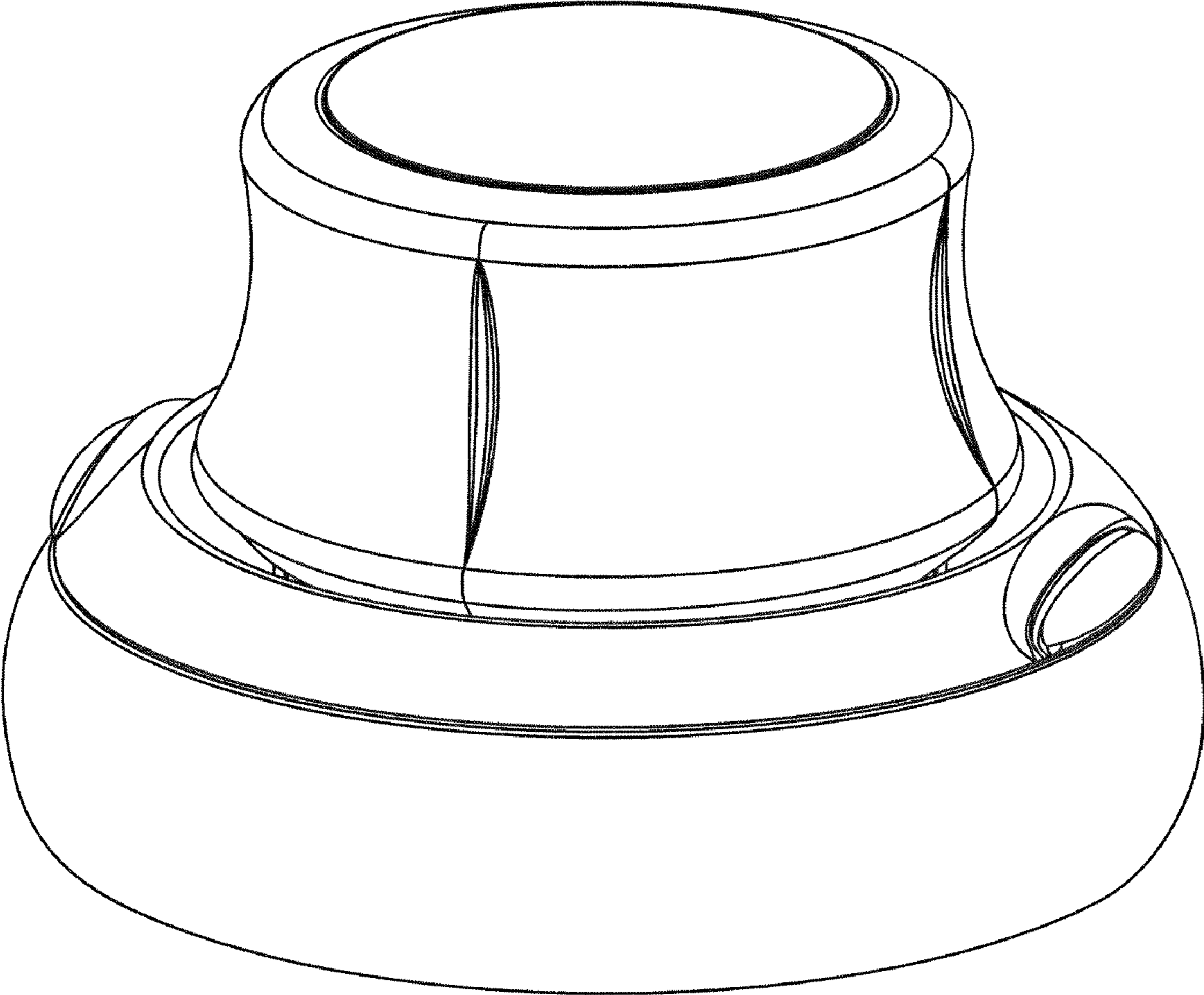


FIG. 4

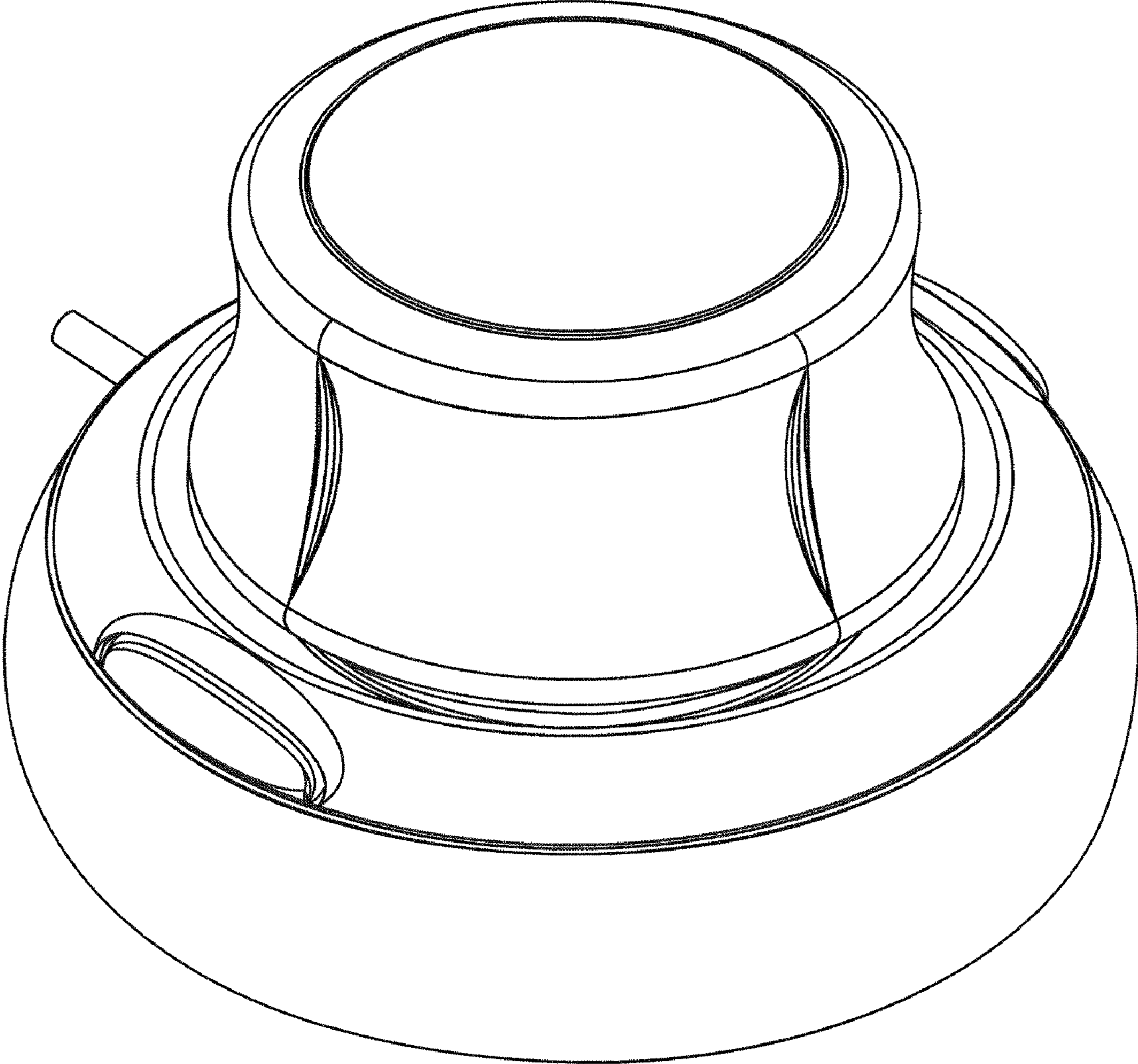


FIG. 5

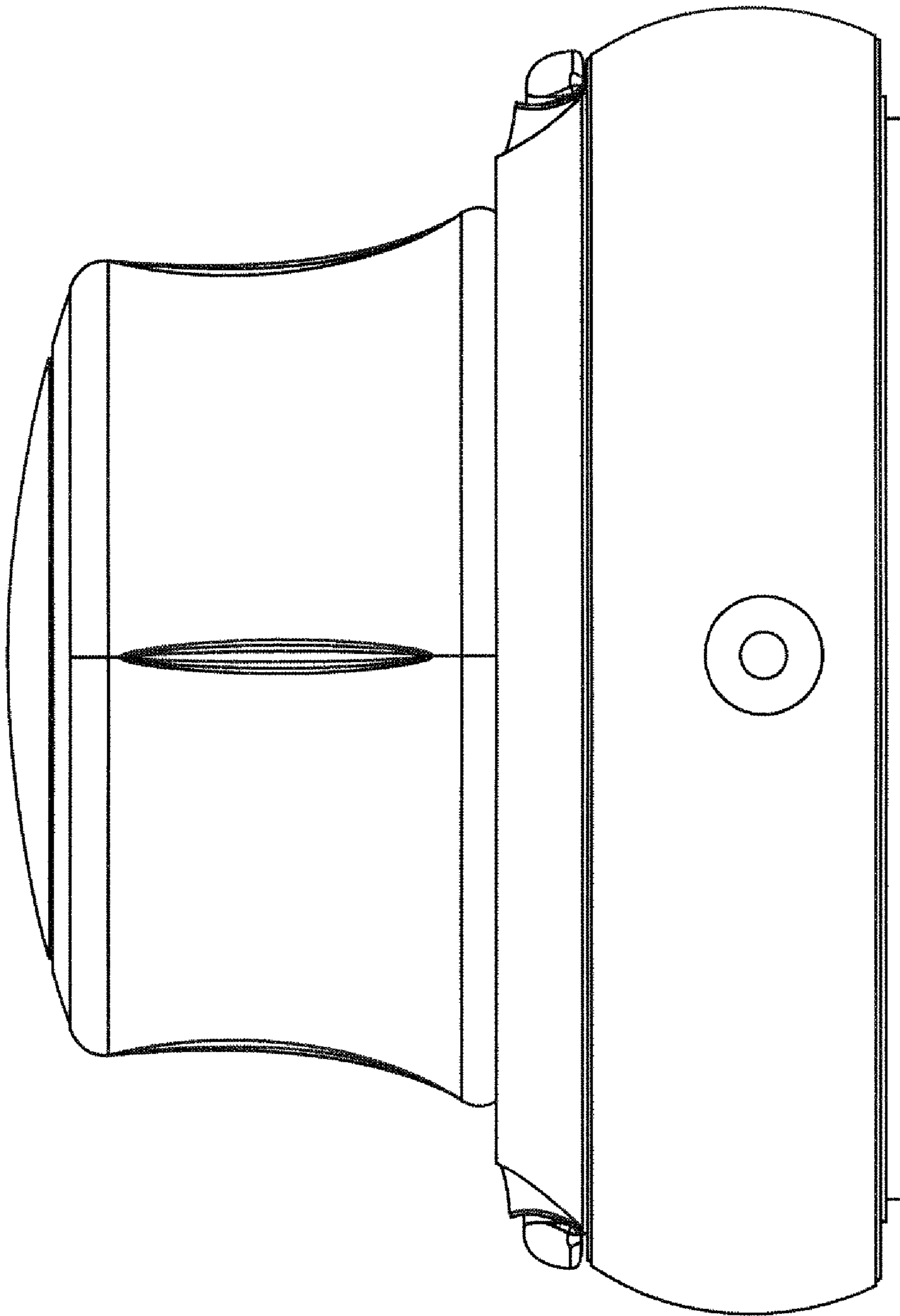


FIG. 6

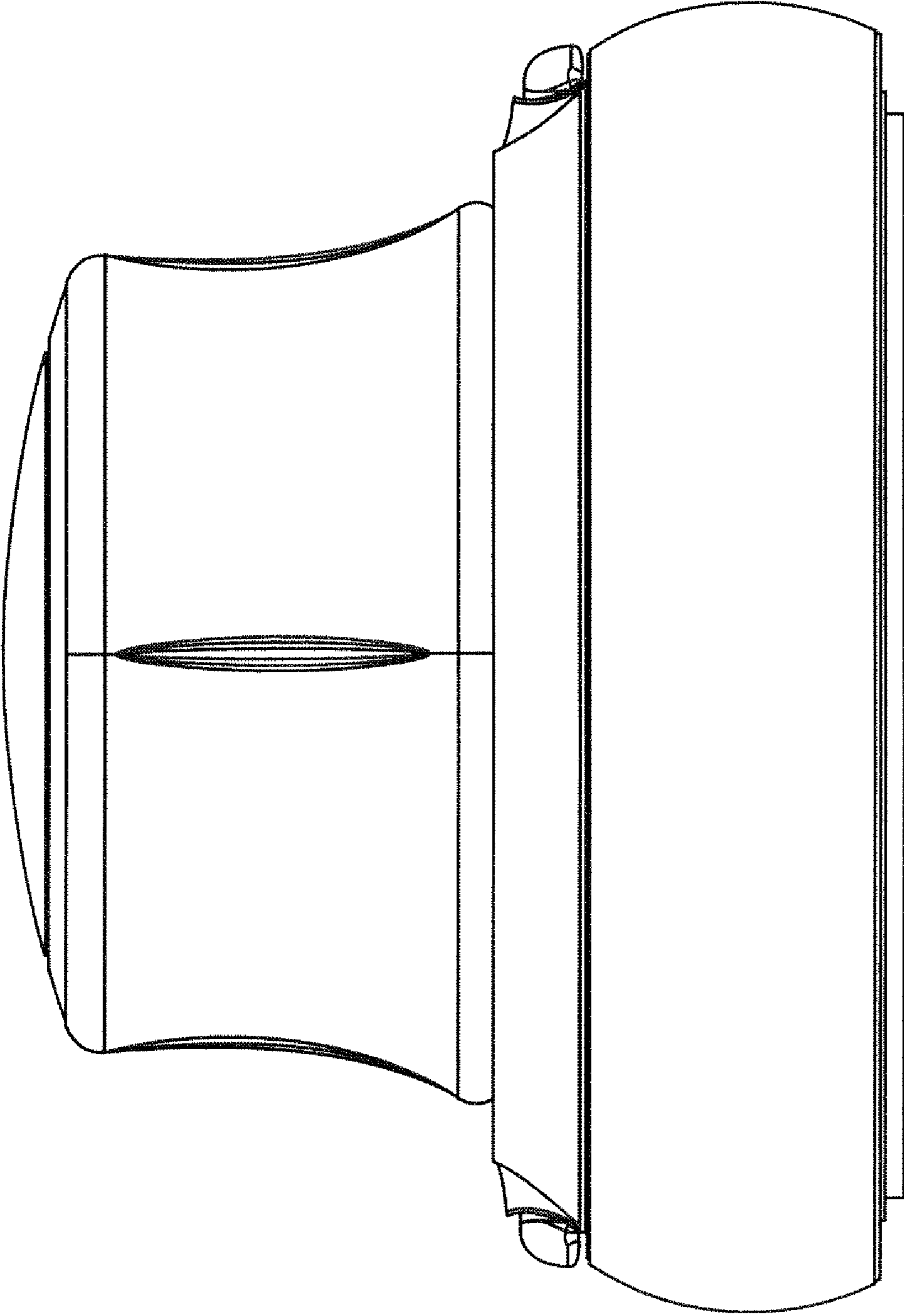


FIG. 7

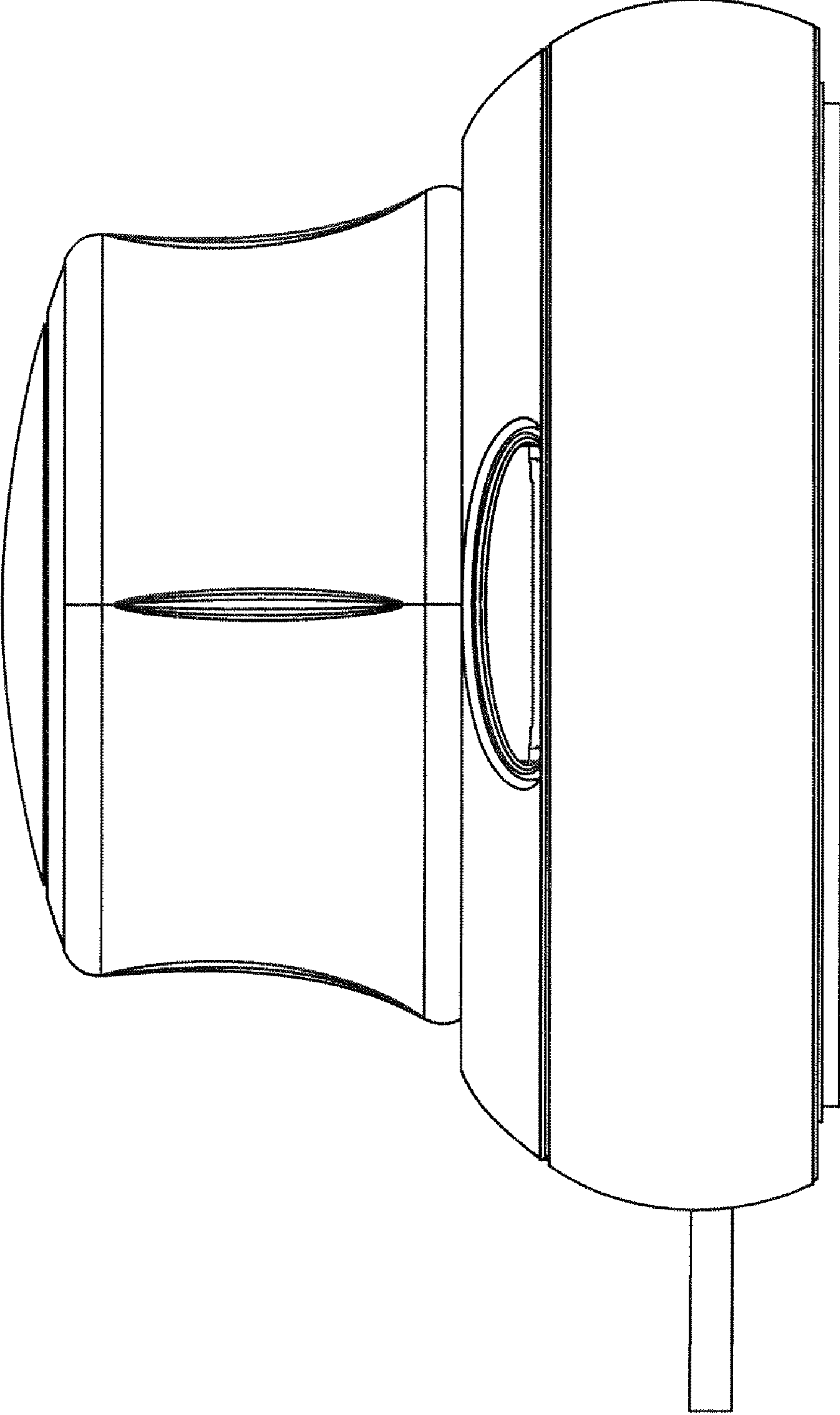


FIG. 8

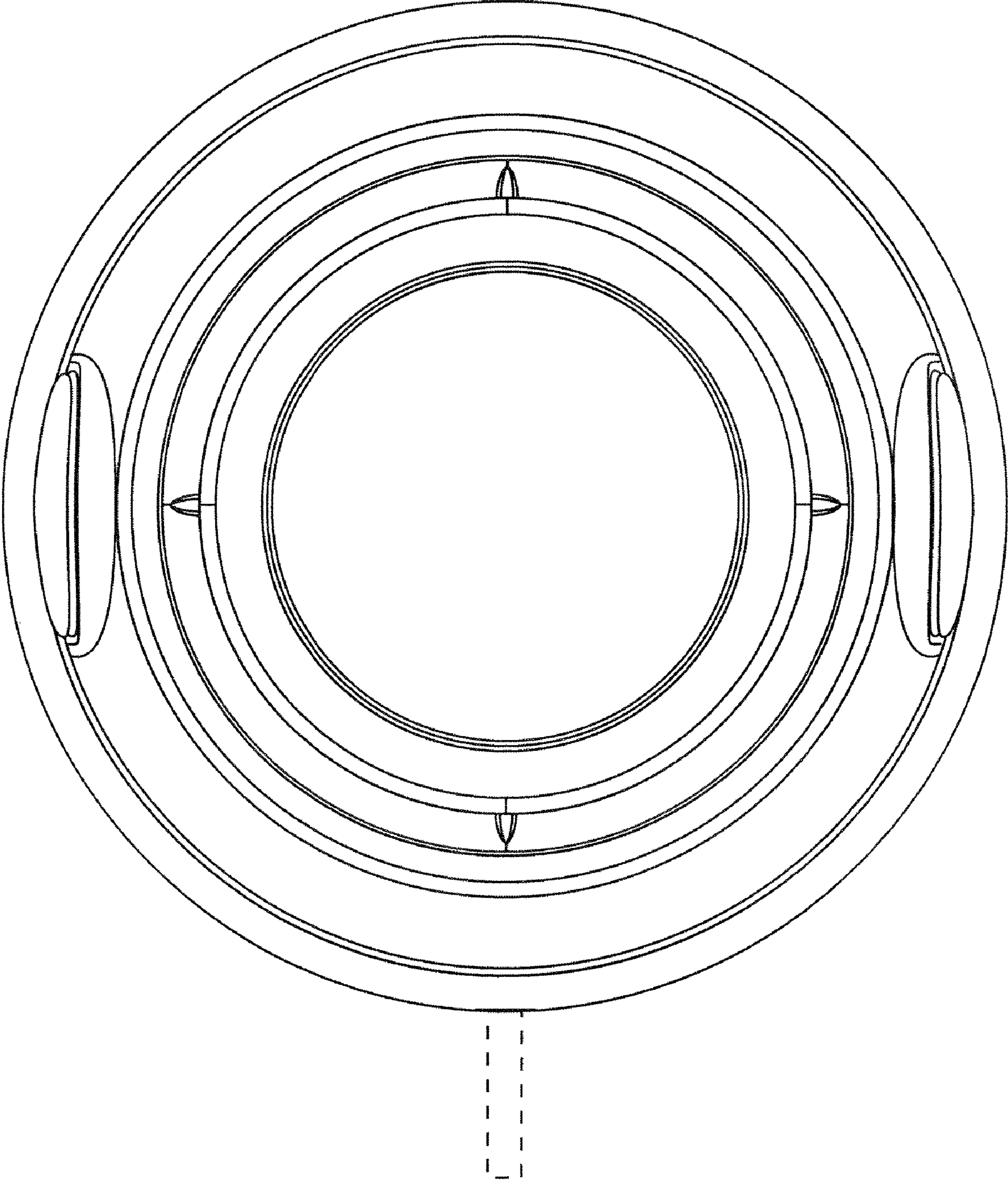


FIG. 9

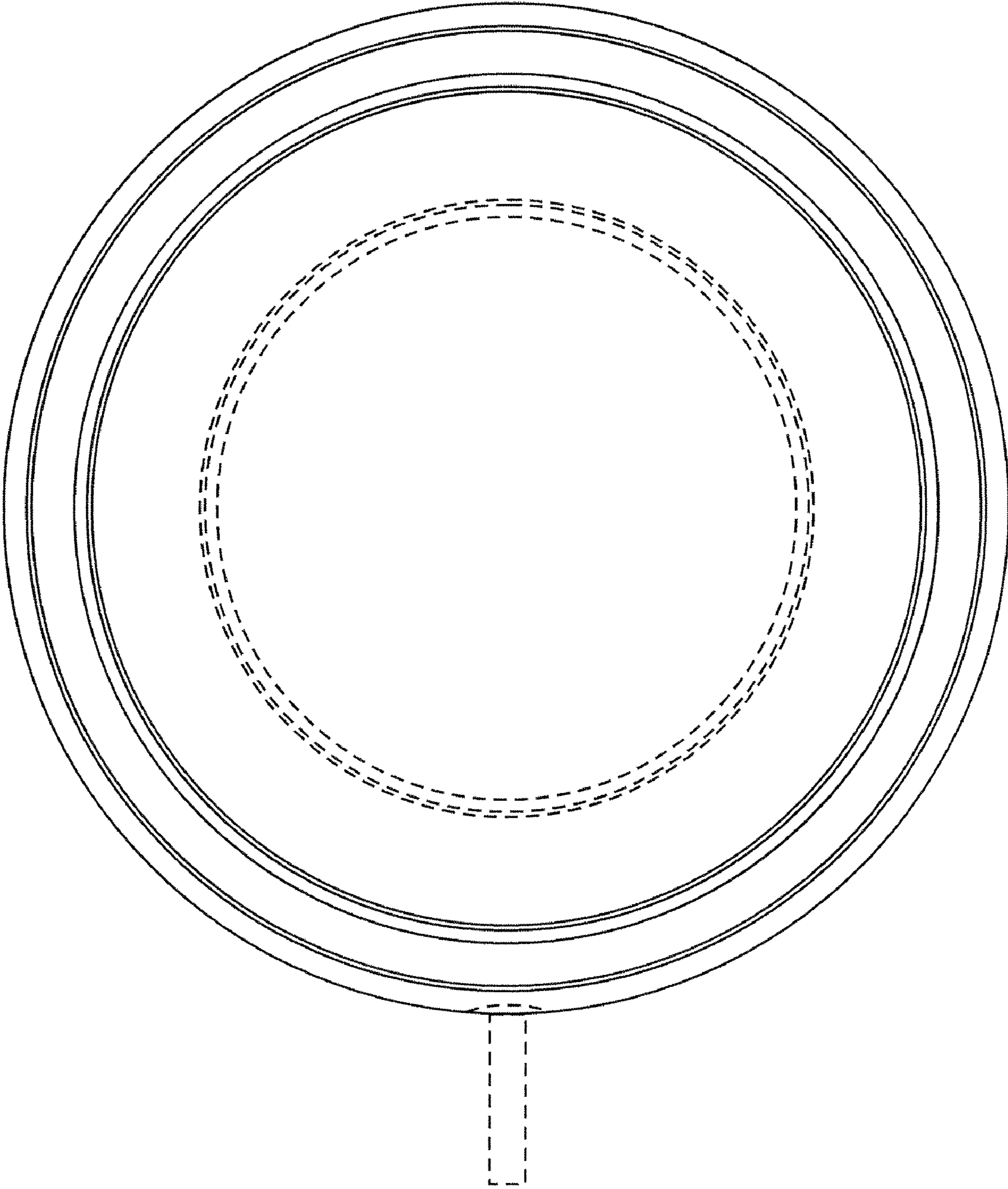


FIG. 10

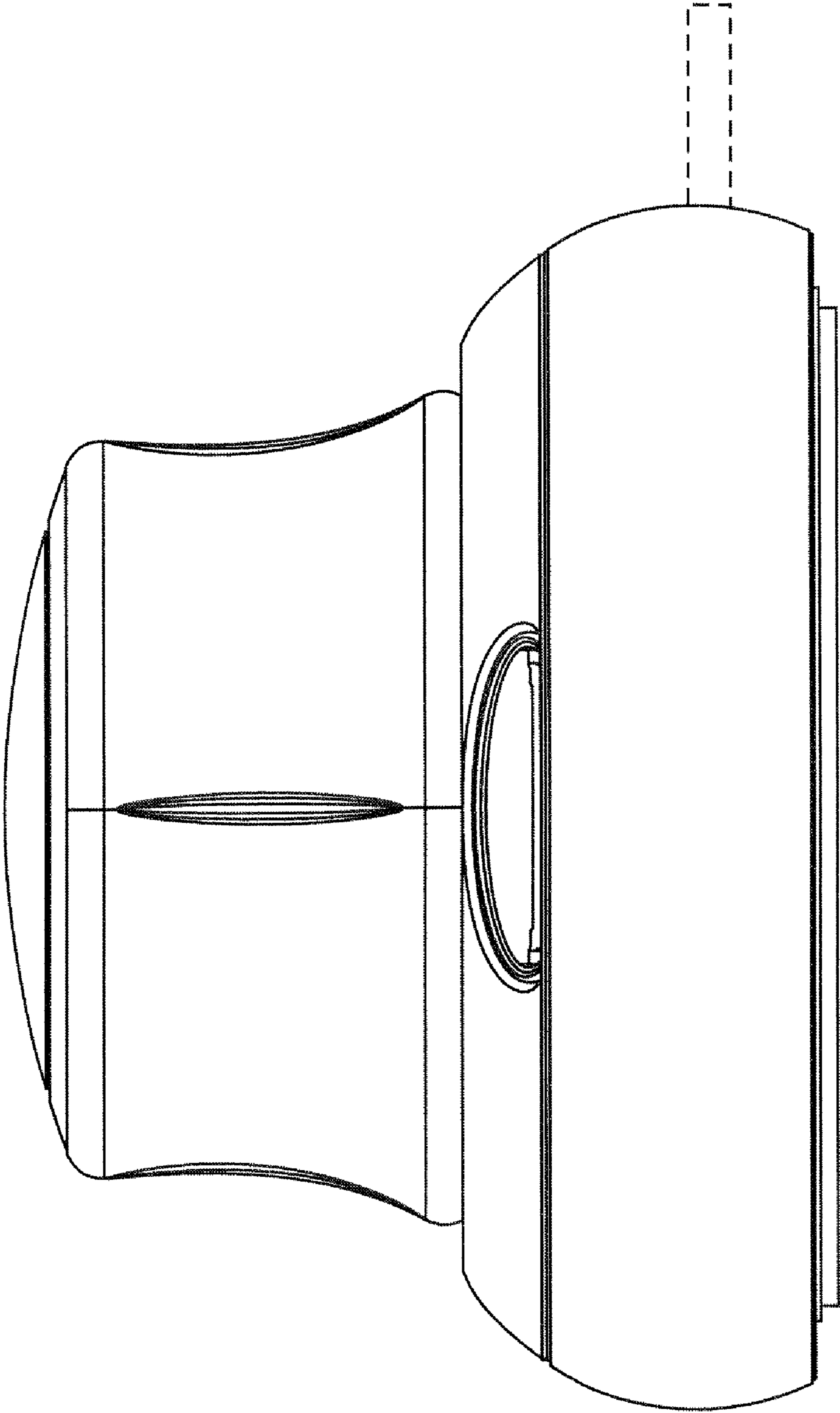


FIG. 11

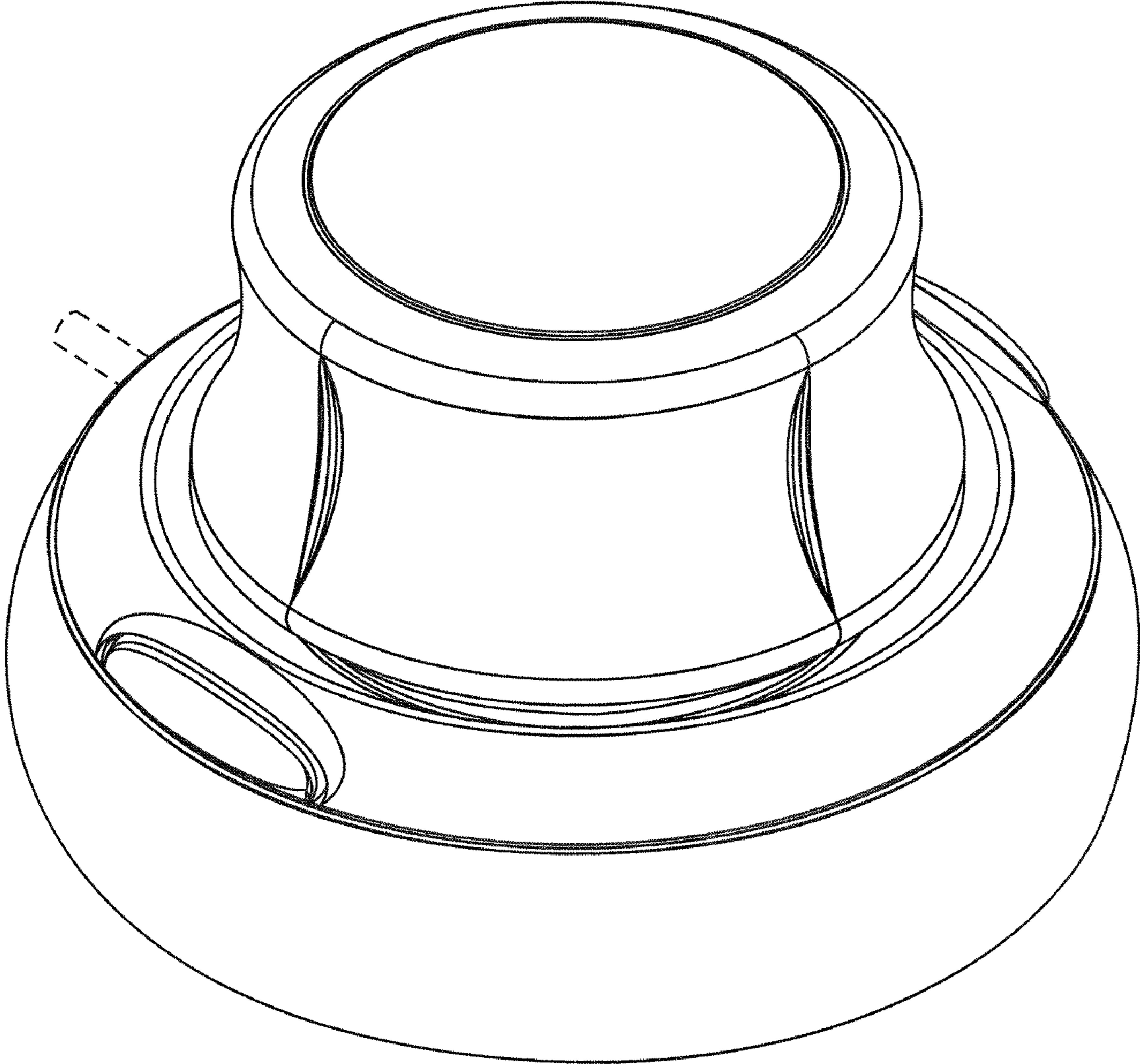


FIG. 12

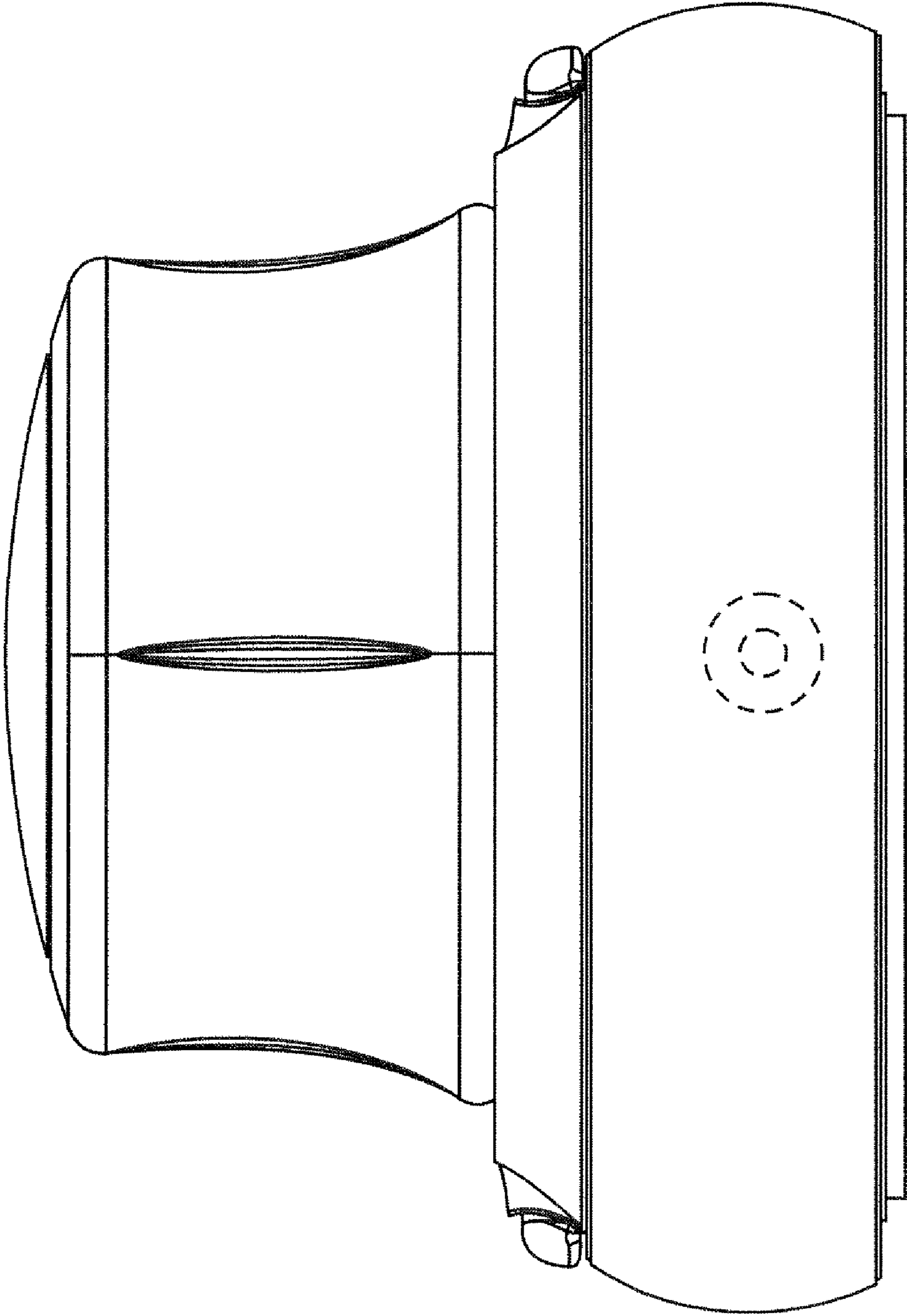


FIG. 13

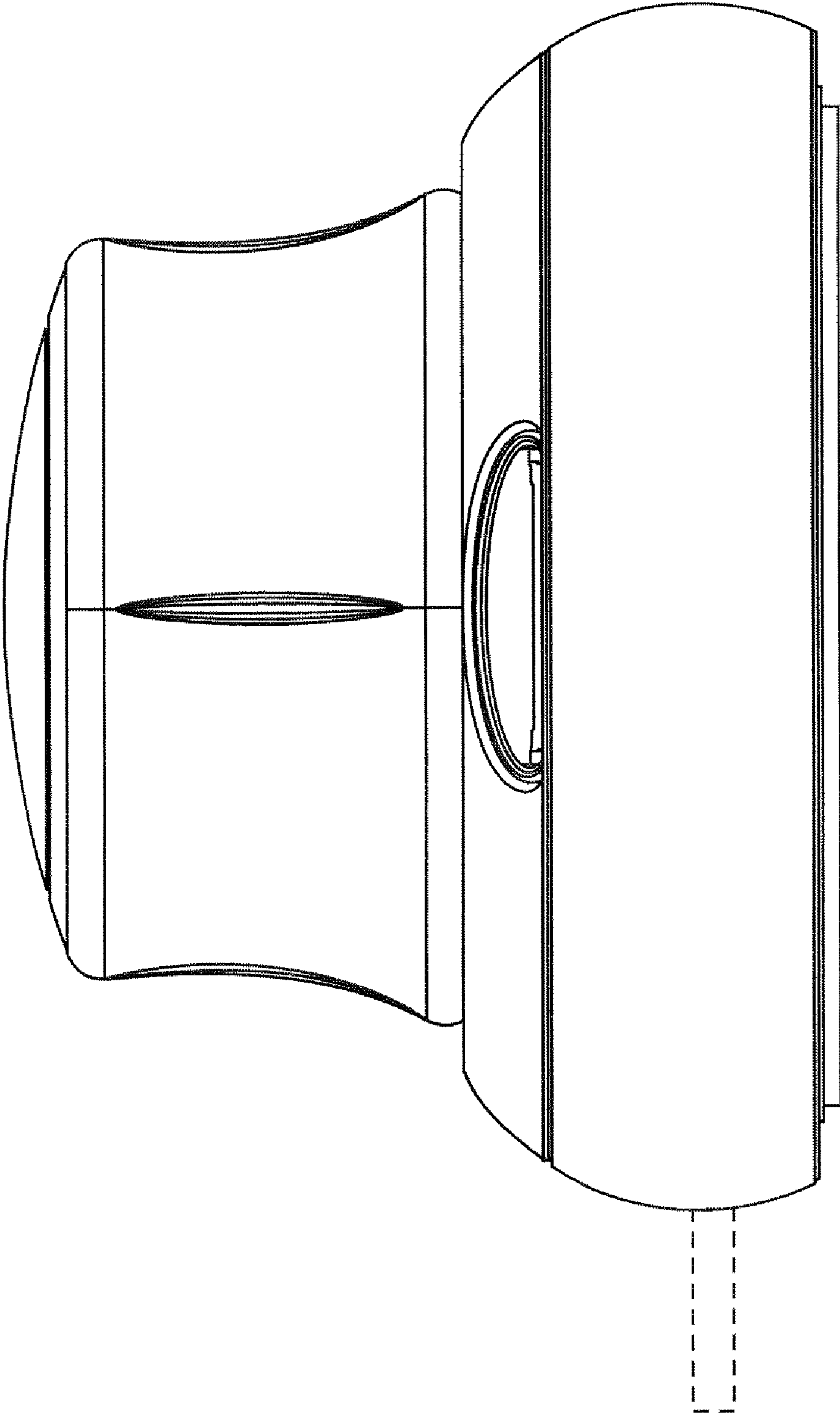


FIG. 14