



US00D605196S

(12) **United States Design Patent**
Niitsu et al.

(10) **Patent No.:** **US D605,196 S**
(45) **Date of Patent:** **** Dec. 1, 2009**

(54) **COMPUTER MONITOR DISPLAY**
(75) Inventors: **Takuya Niitsu**, Tokyo (JP); **Yasuaki Isonaga**, Tokyo (JP)
(73) Assignee: **Sony Corporation**, Tokyo (JP)
(**) Term: **14 Years**
(21) Appl. No.: **29/287,988**
(22) Filed: **Oct. 9, 2007**

JP D1306420 S 7/2007
JP D1306421 S 7/2007
JP D1306422 S 7/2007
JP D1306423 S 7/2007
JP D1306424 S 7/2007
JP D1306425 S 7/2007
JP D1306426 S 7/2007

* cited by examiner

Primary Examiner—Freda S Nunn
(74) *Attorney, Agent, or Firm*—Rader, Fishman & Grauer, PLLC

(51) **LOC (9) Cl.** **14-02**
(52) **U.S. Cl.** **D14/371; D14/336**
(58) **Field of Classification Search** D14/328,
D14/331, 343, 371–376, 125–129; 248/917–924,
248/146; 341/12; 345/1.1, 104, 156, 157,
345/168, 173; 348/180, 184, 352, 739; 349/1,
349/2, 11, 62; 361/680–686
See application file for complete search history.

(57) **CLAIM**

The ornamental design for a computer monitor display, as shown and described.

DESCRIPTION

FIG. 1 is a perspective view of a first embodiment of a computer monitor display showing our new design;
FIG. 2 is a front elevational view thereof; and
FIG. 3 is a rear elevational view thereof.
FIG. 4 is a perspective view of a second embodiment of a computer monitor display showing our new design;
FIG. 5 is a front elevational view thereof; and
FIG. 6 is a rear elevational view thereof.
FIG. 7 is a perspective view of a third embodiment of a computer monitor display showing our new design, wherein the transparent button portion is at a first alternate position in connection with the first or second embodiment of FIG. 1 or 4;
FIG. 8 is a front elevational view thereof; and
FIG. 9 is a rear elevational view thereof.
FIG. 10 is a perspective view of a fourth embodiment of a computer monitor display showing our new design, wherein the transparent button portion is at a second alternate position in connection with the first or second embodiment of FIG. 1 or 4;
FIG. 11 is a front elevational view thereof; and
FIG. 12 is a rear elevational view thereof.

(56) **References Cited**

U.S. PATENT DOCUMENTS

D378,083 S * 2/1997 Ando D14/336
D424,538 S * 5/2000 Hayashi et al. D14/374
D432,101 S 10/2000 Oba
D458,238 S * 6/2002 Niitsu D14/126
D460,056 S * 7/2002 Niitsu D14/126
D465,492 S * 11/2002 Scribner D14/375
D495,706 S * 9/2004 Lin et al. D14/374
D496,361 S * 9/2004 Hotta D14/374
D502,179 S * 2/2005 Cha et al. D14/375
D508,914 S * 8/2005 Ishii D14/337
D509,827 S * 9/2005 Johnson D14/374
D510,351 S * 10/2005 Choi D14/371
D519,117 S * 4/2006 Lewis D14/374
D533,519 S * 12/2006 Ellison D14/126
D543,164 S * 5/2007 Yang et al. D14/126
D549,673 S 8/2007 Niitsu
2004/0113031 A1 * 6/2004 Sung 248/146

FOREIGN PATENT DOCUMENTS

JP D1298287 S 4/2007
JP D1306083 S 7/2007

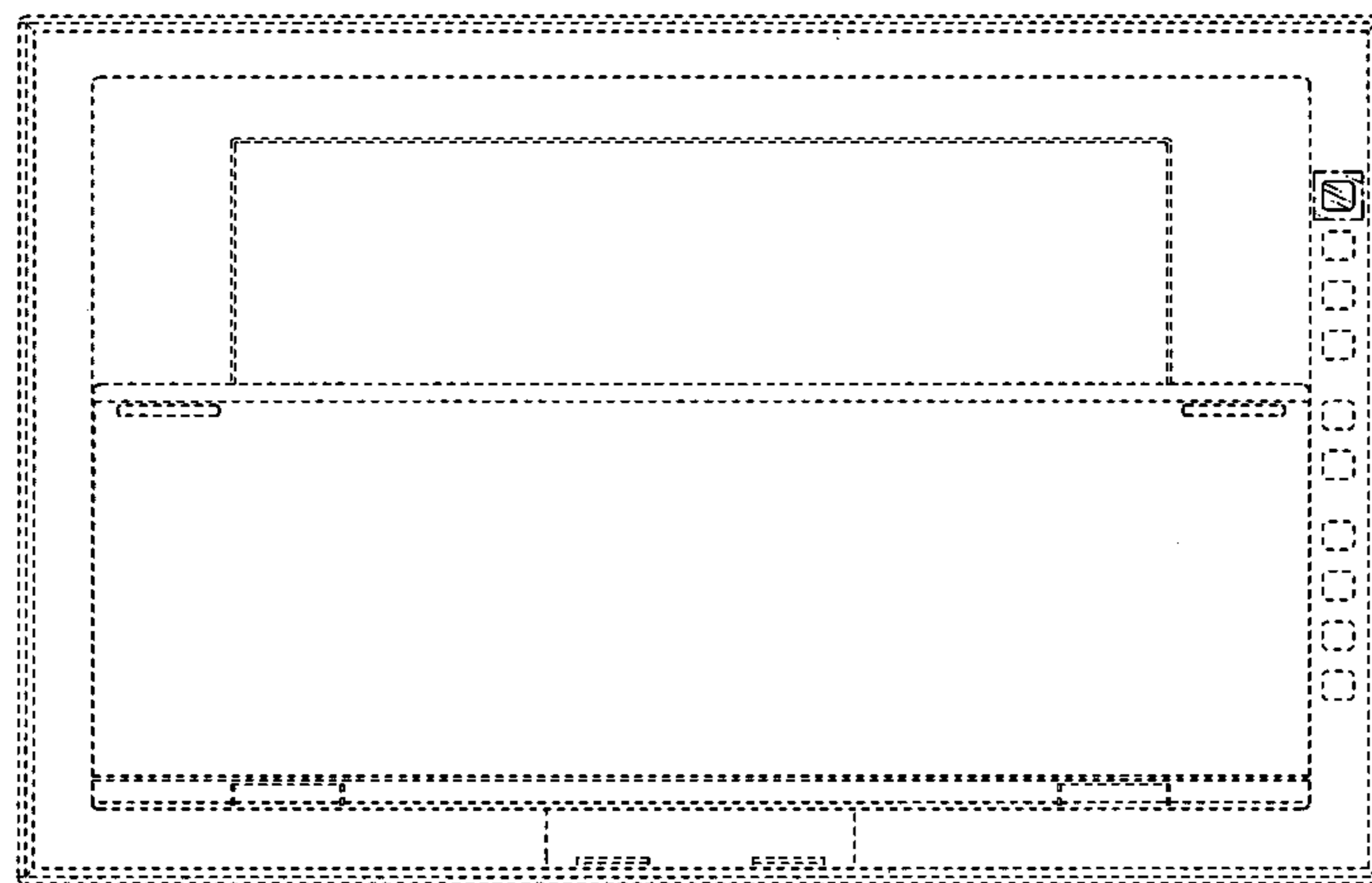


FIG. **13** is a perspective view of a fifth embodiment of a computer monitor display showing our new design, wherein the transparent button portion is at a third alternate position in connection with the first or second embodiment of FIG. **1** or **4**;

FIG. **14** is a front elevational view thereof; and

FIG. **15** is a rear elevational view thereof.

FIG. **16** is a perspective view of a sixth embodiment of a computer monitor display showing our new design, wherein the transparent button portion is at a fourth alternate position in connection with the first or second embodiment of FIG. **1** or **4**;

FIG. **17** is a front elevational view thereof; and

FIG. **18** is a rear elevational view thereof.

FIG. **19** is a perspective view of a seventh embodiment of a computer monitor display showing our new design, wherein the transparent button portion is at a fifth alternate position in connection with the first or second embodiment of FIG. **1** or **4**;

FIG. **20** is a front elevational view thereof; and

FIG. **21** is a rear elevational view thereof.

FIG. **22** is a perspective view of an eighth embodiment of a computer monitor display showing our new design, wherein the transparent button portion is at a sixth alternate position in connection with the first or second embodiment of FIG. **1** or **4**;

FIG. **23** is a front elevational view thereof; and,

FIG. **24** is a rear elevational view thereof.

The broken lines illustrate portions of the computer monitor display and form no part of the claimed design. The dot-dash broken lines surrounding the buttons shown in the drawings define, but are not included in the boundaries of the claimed design.

1 Claim, 24 Drawing Sheets

Fig. 1

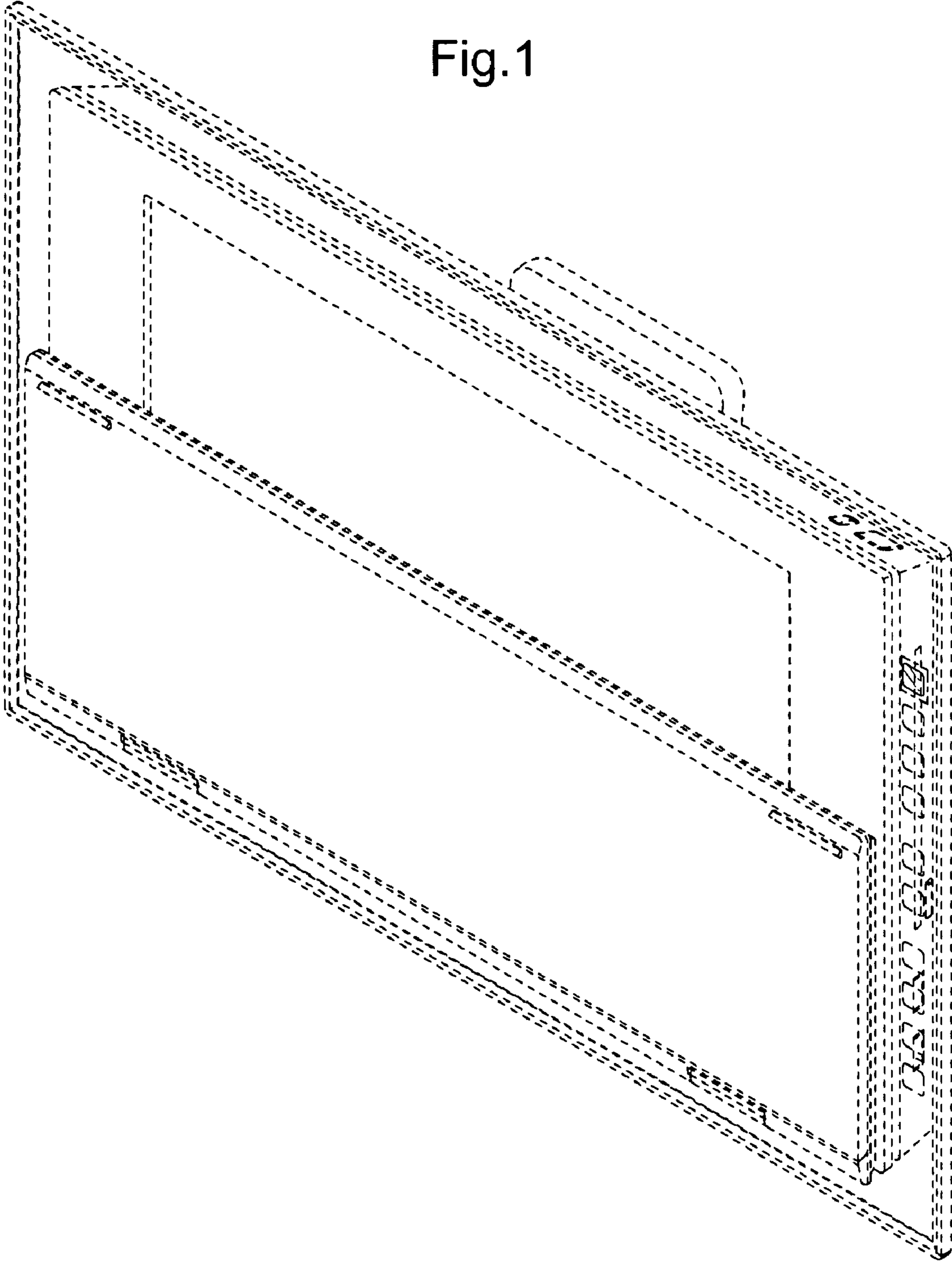


Fig.2

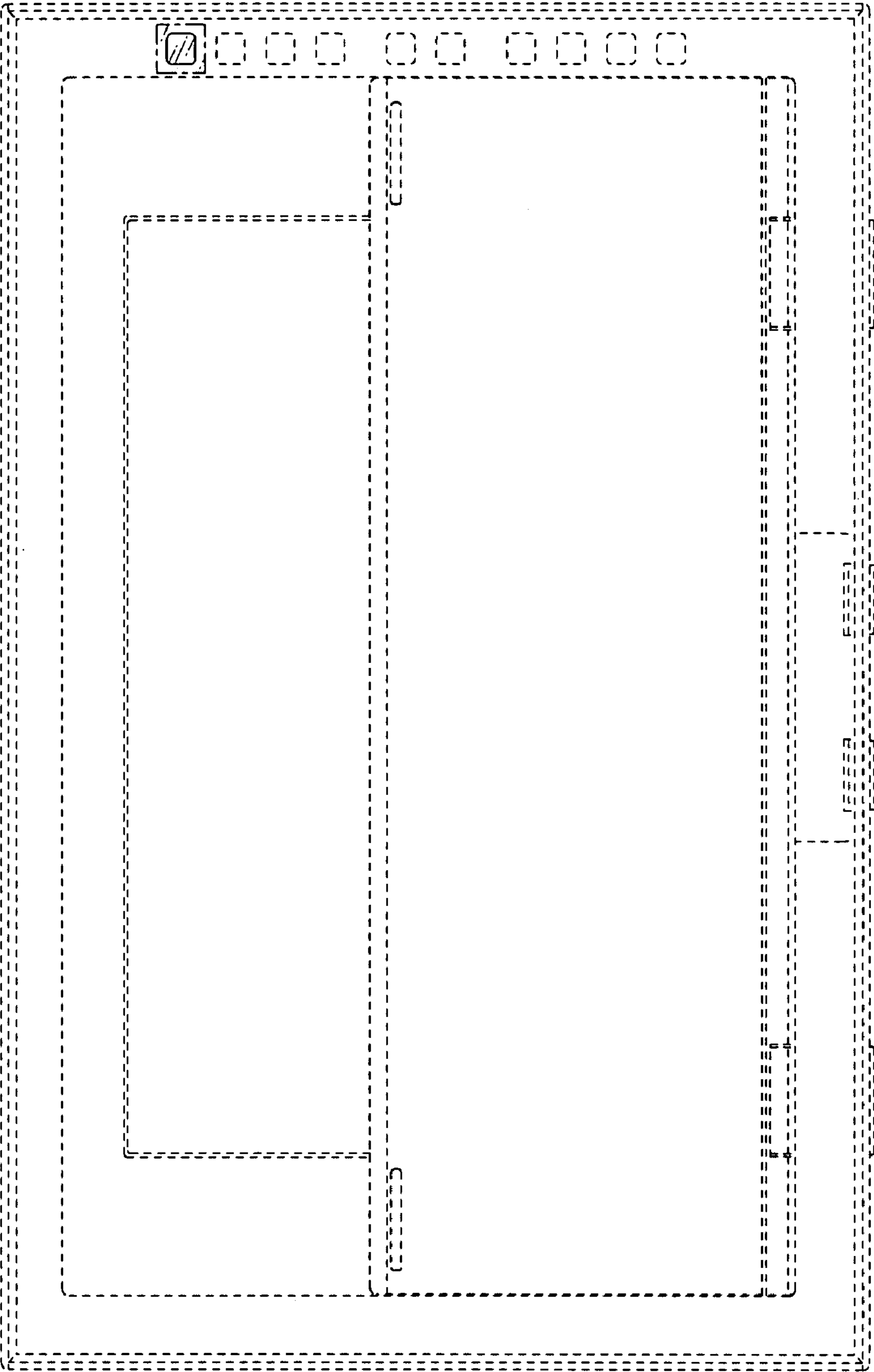


Fig.3

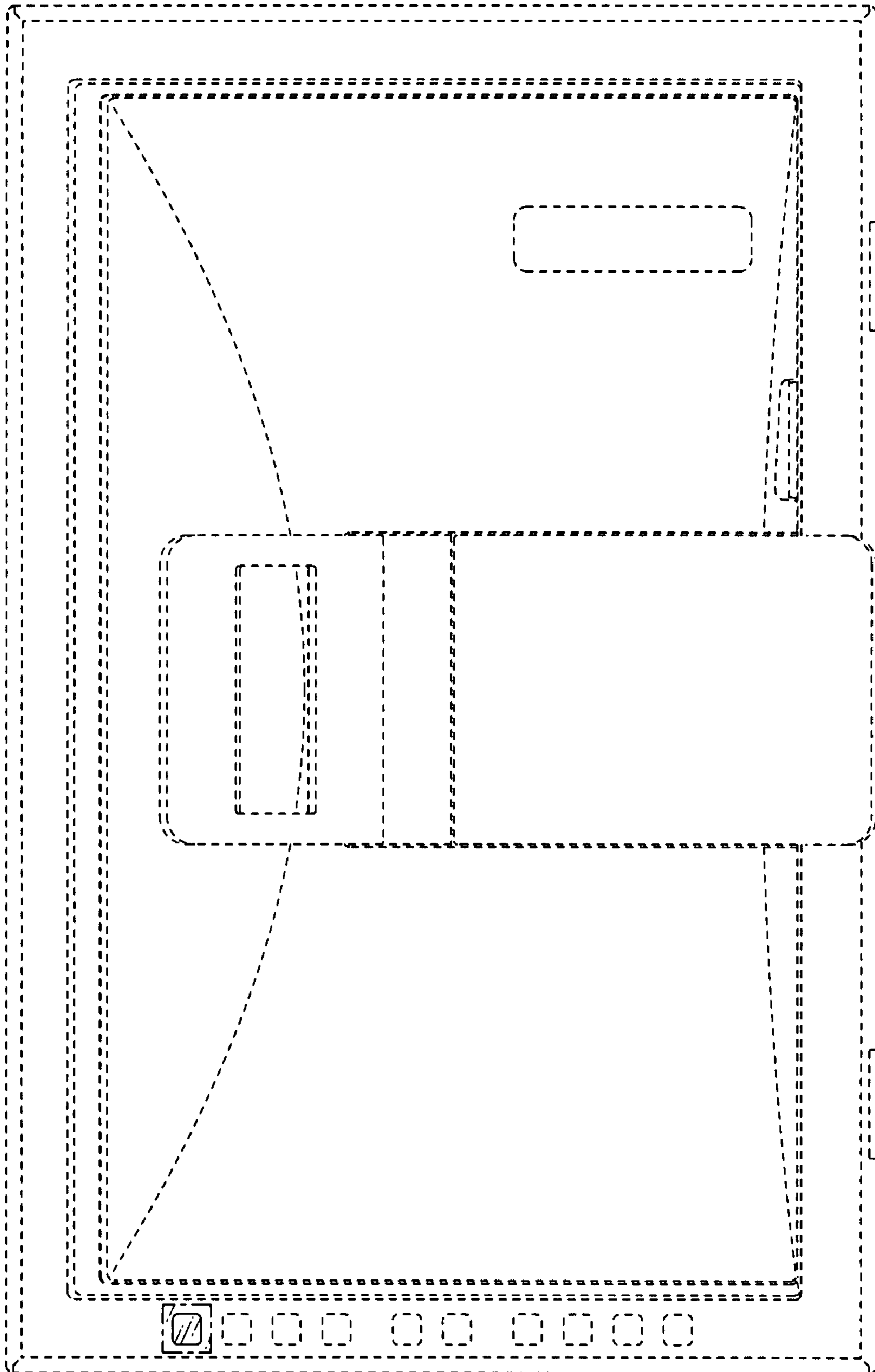


Fig.4

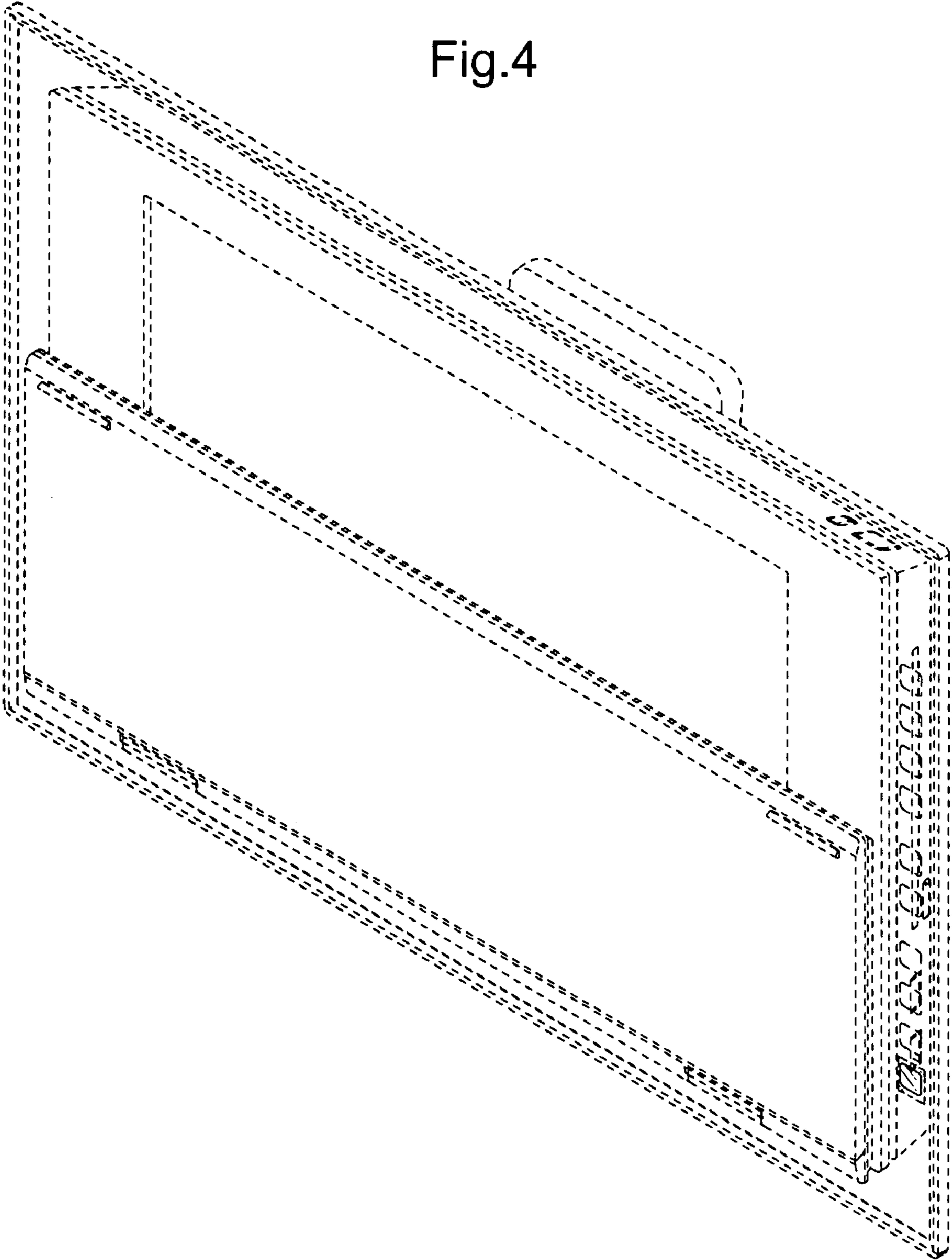


Fig.5

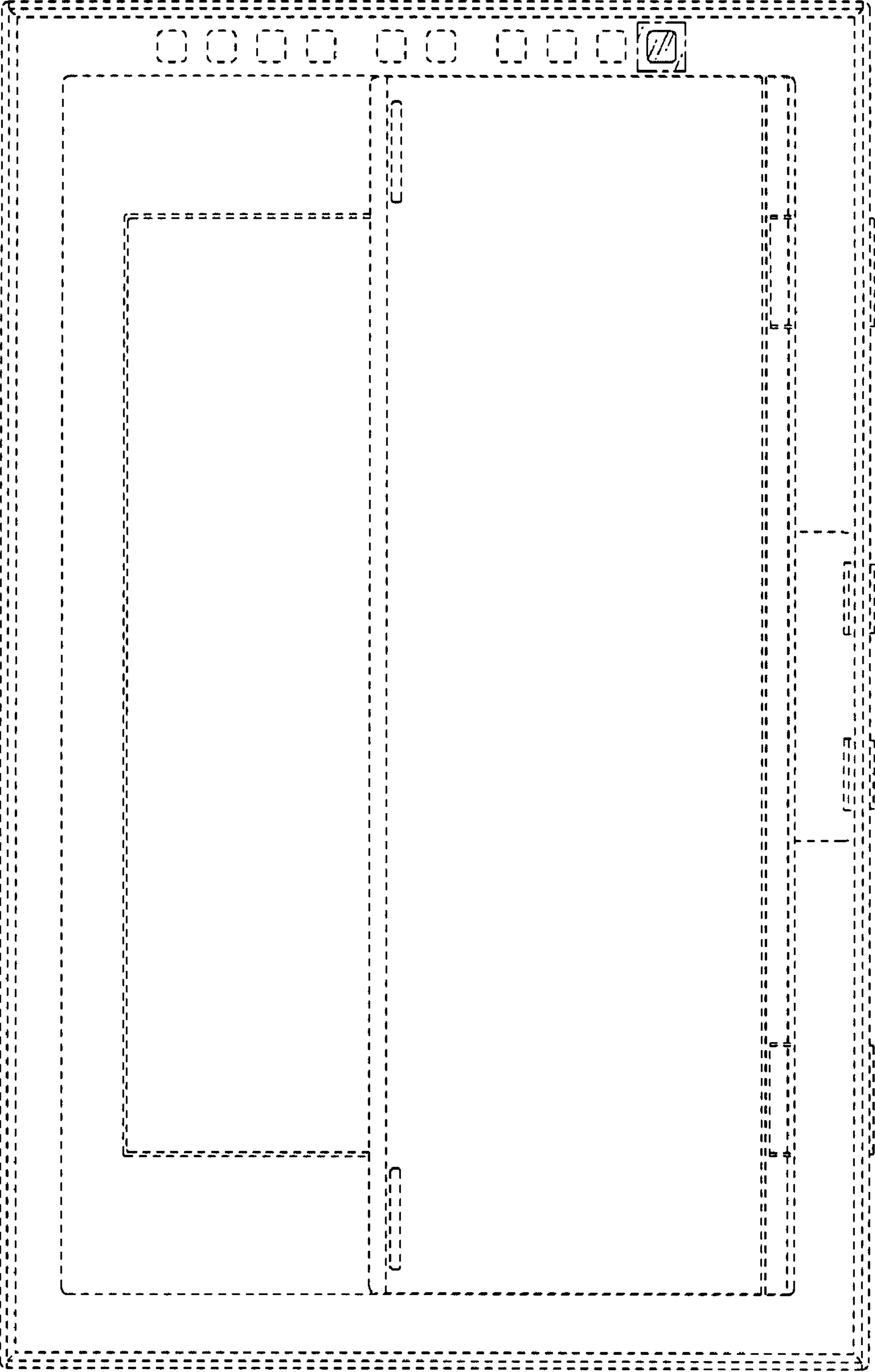


Fig.6

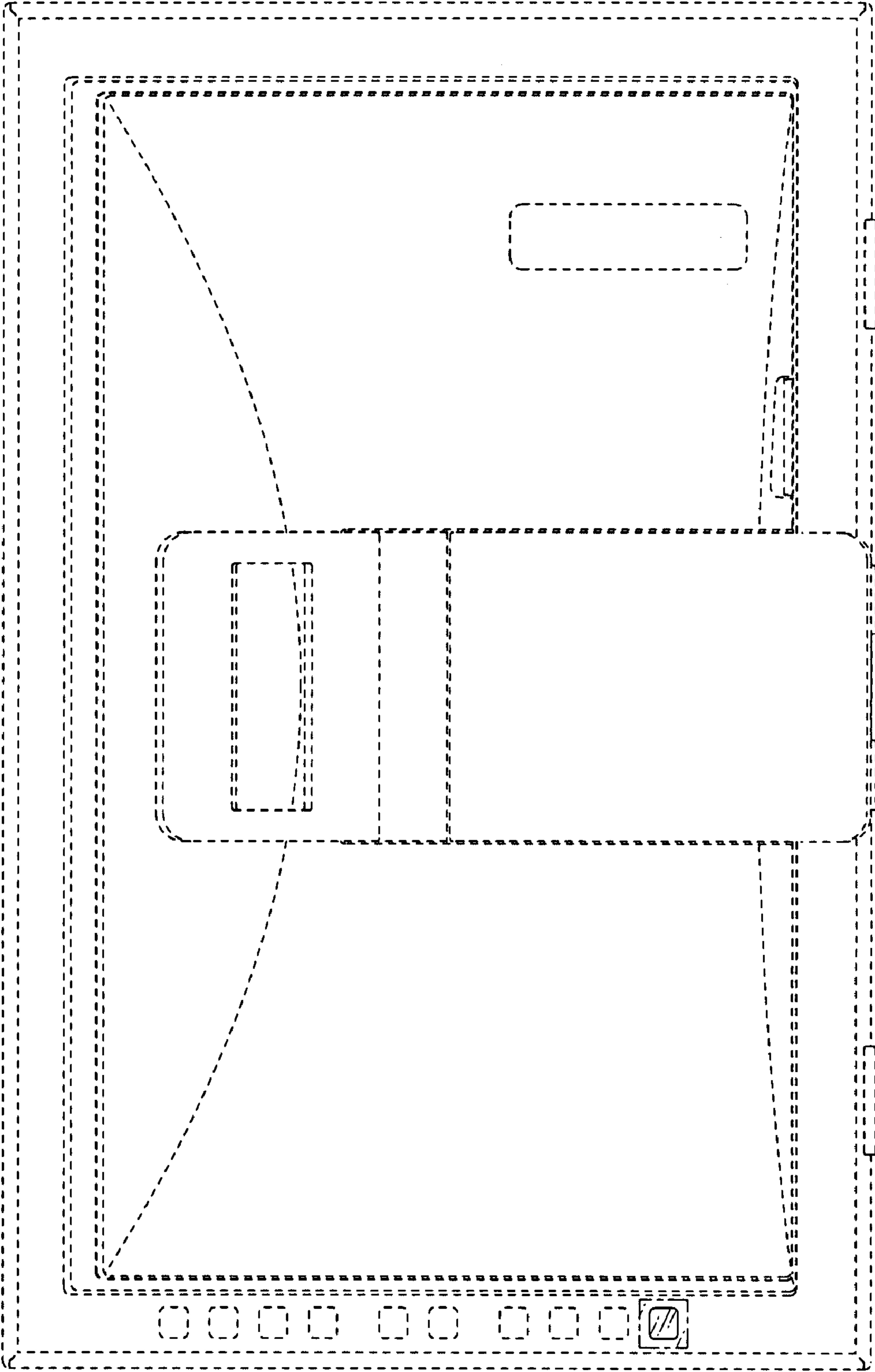


Fig.7

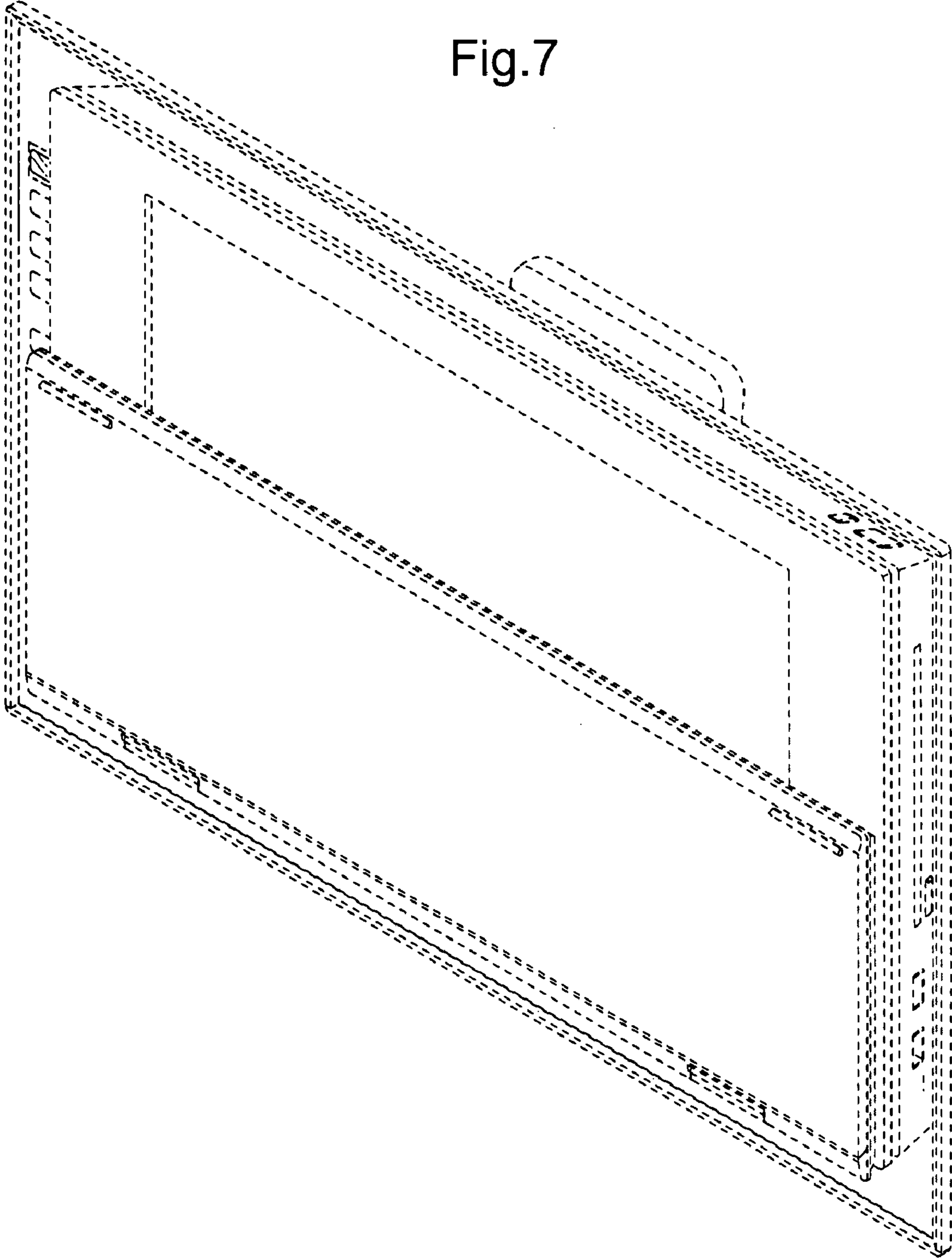


Fig.8

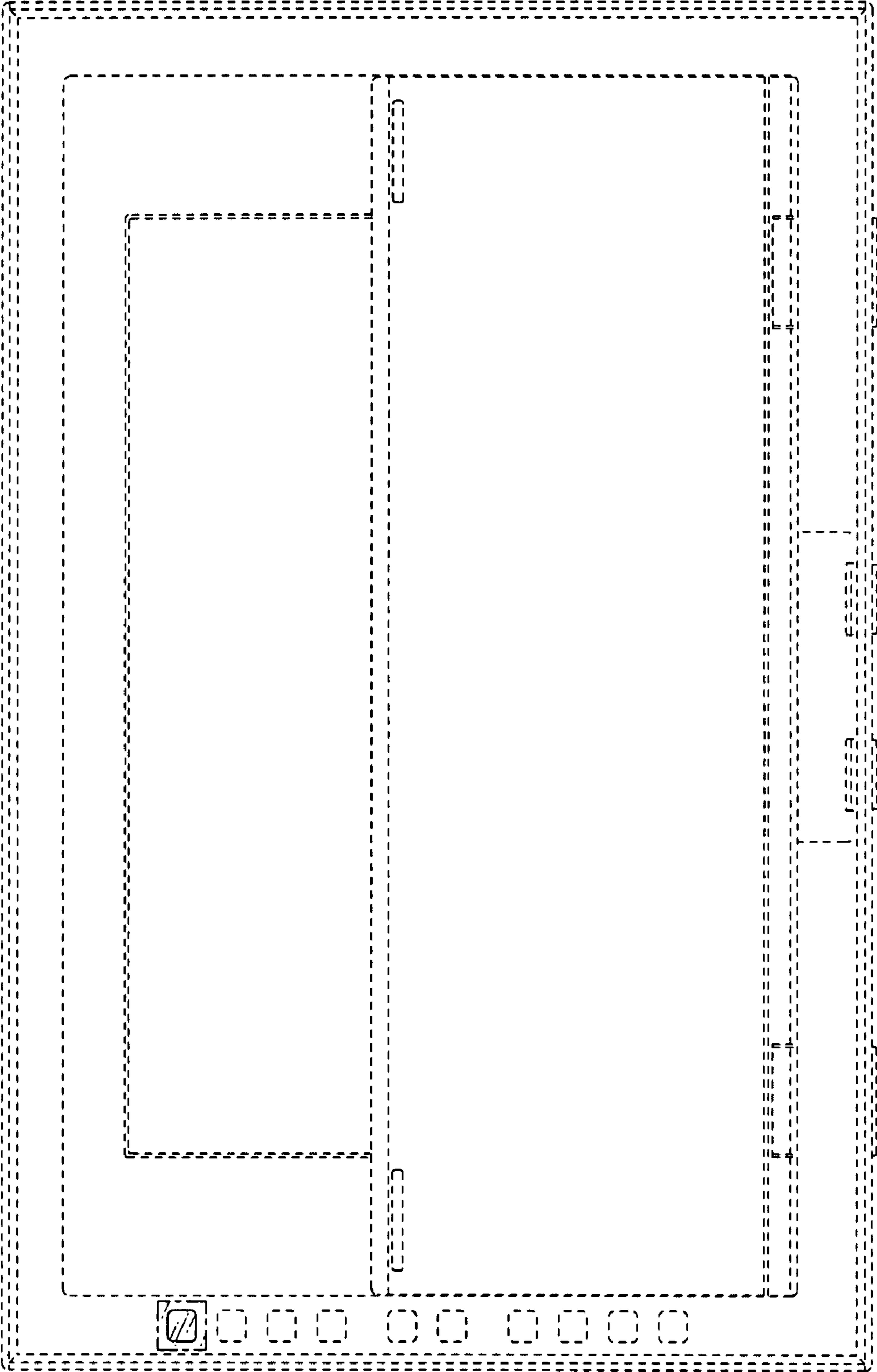


Fig.9

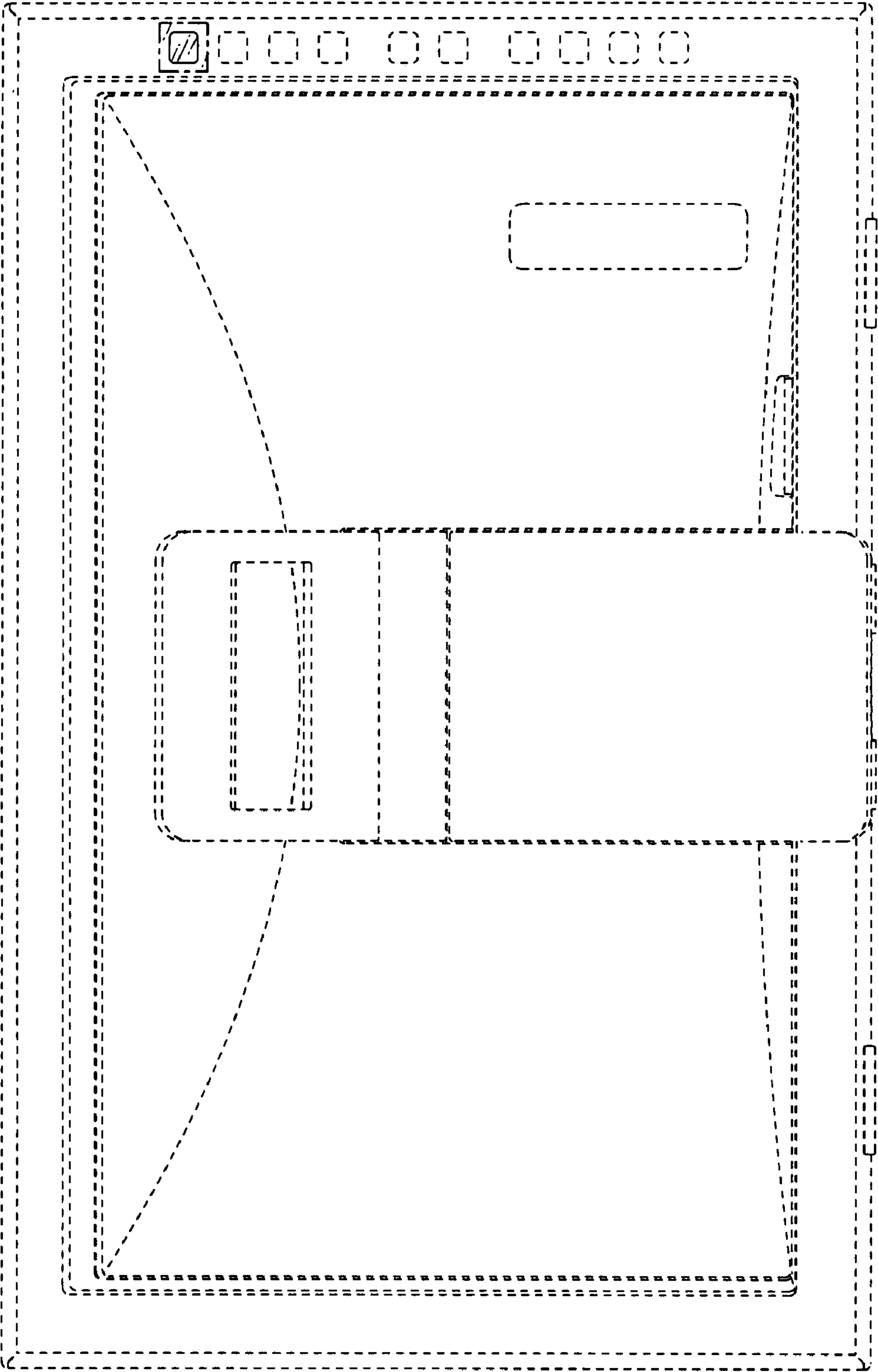


Fig.10

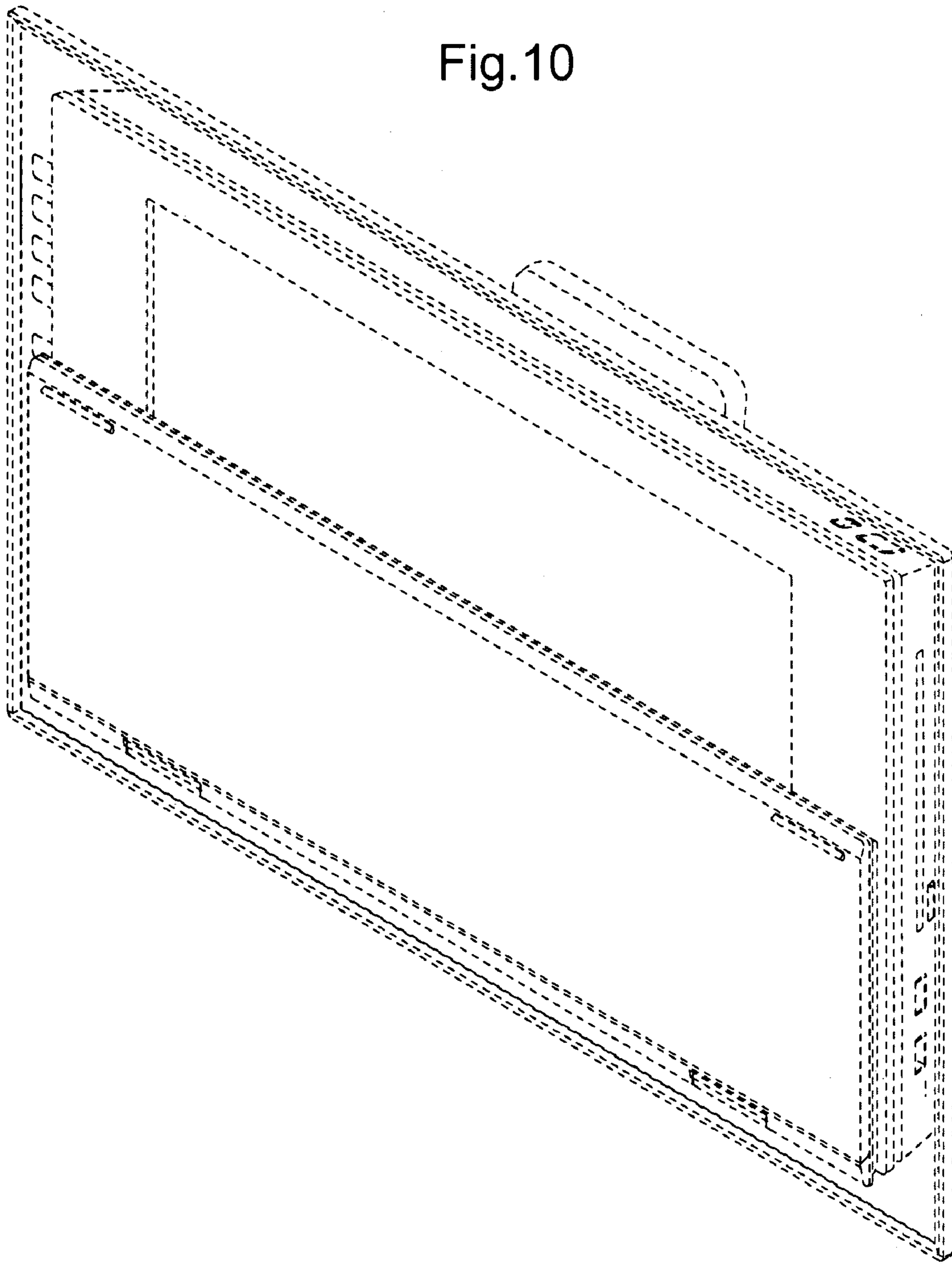


Fig.11

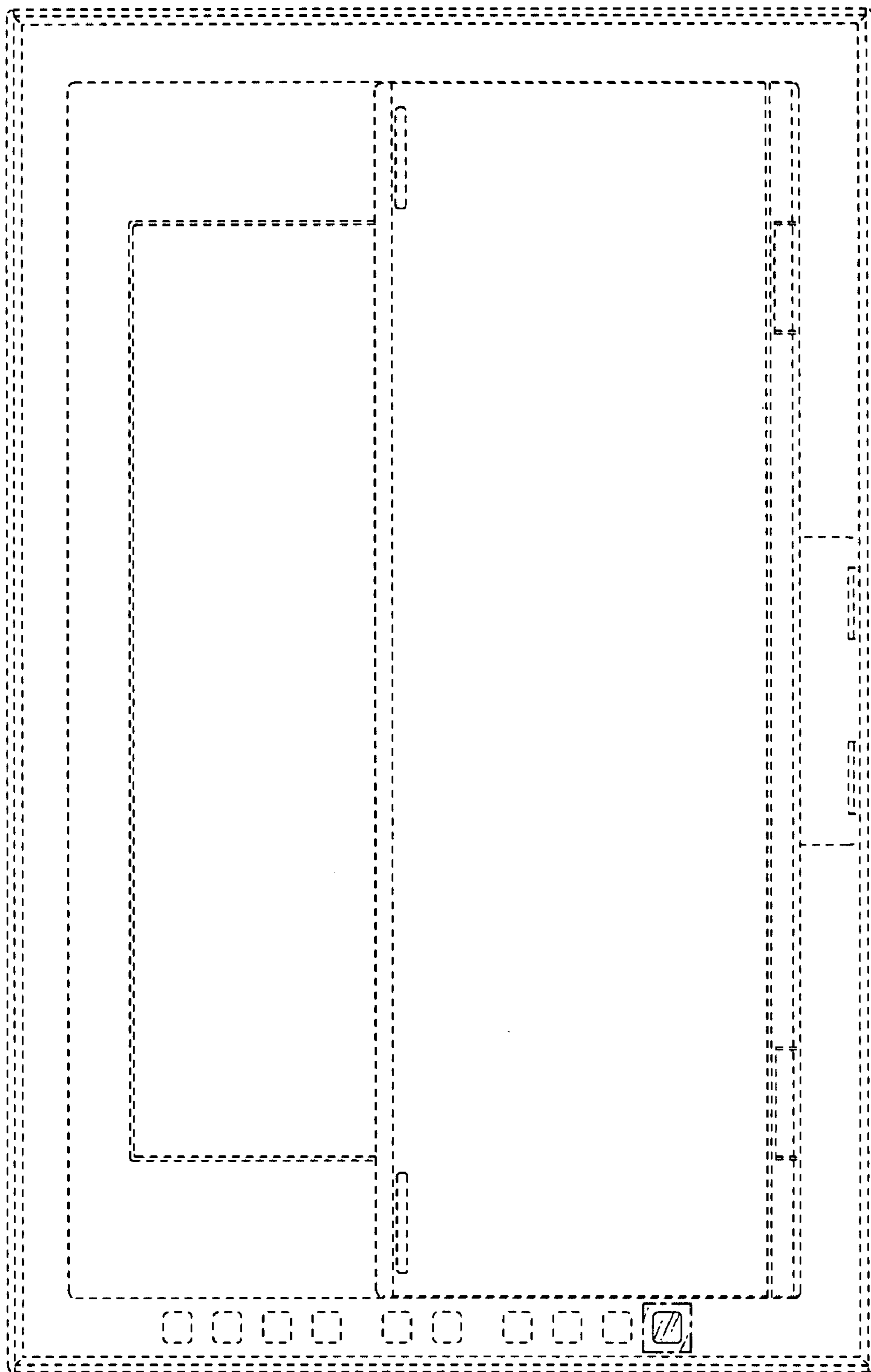


Fig.12

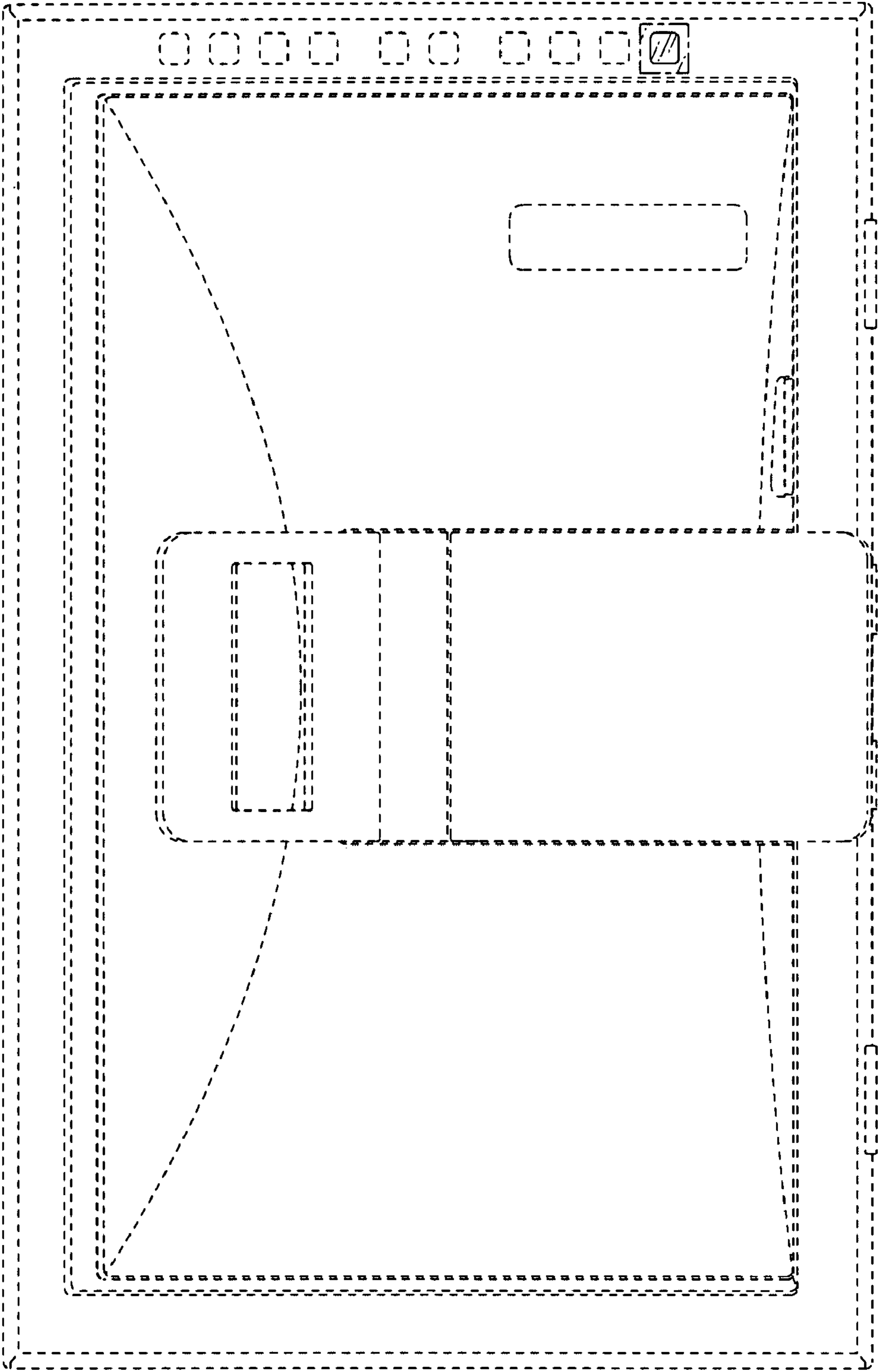


Fig.13

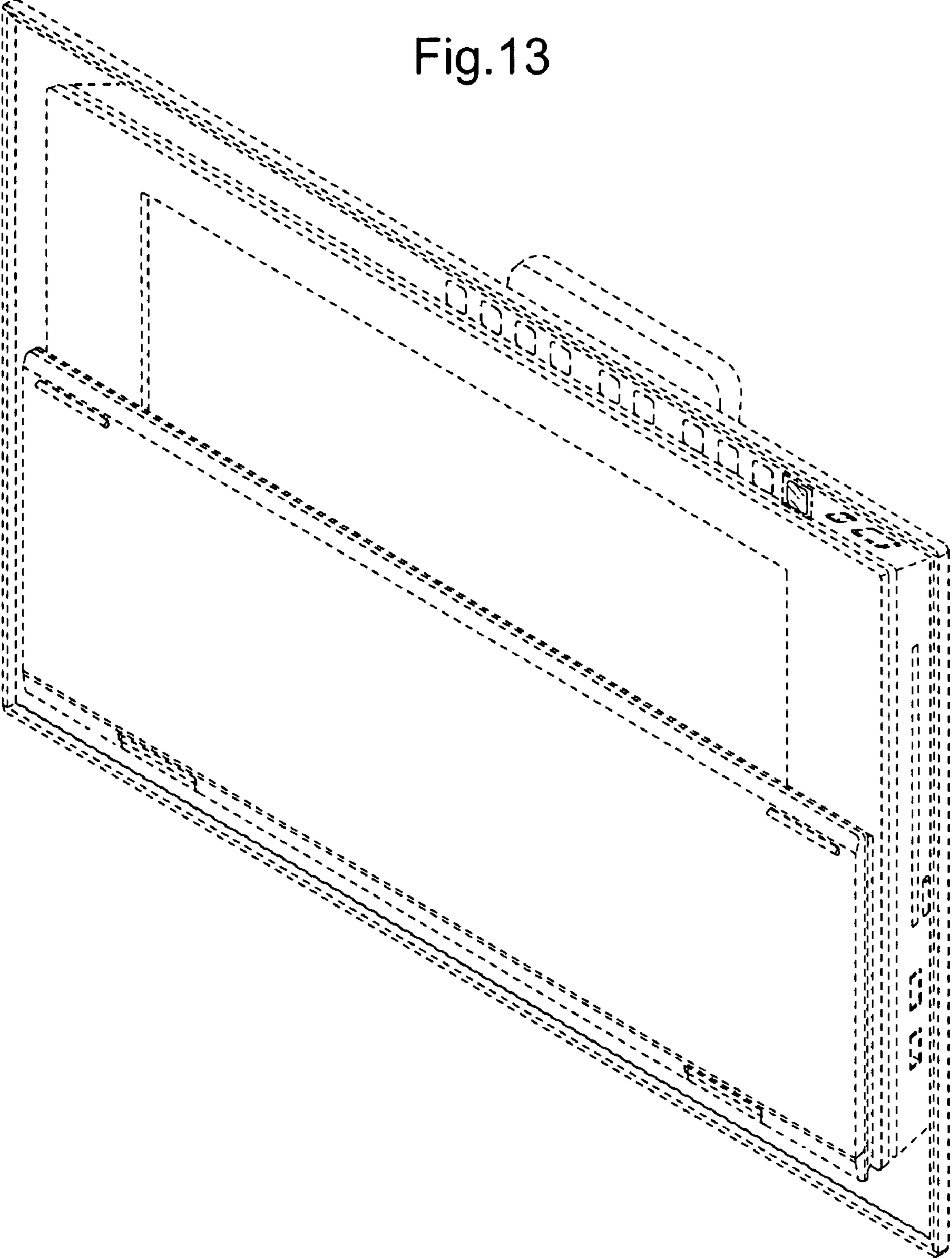


Fig.14

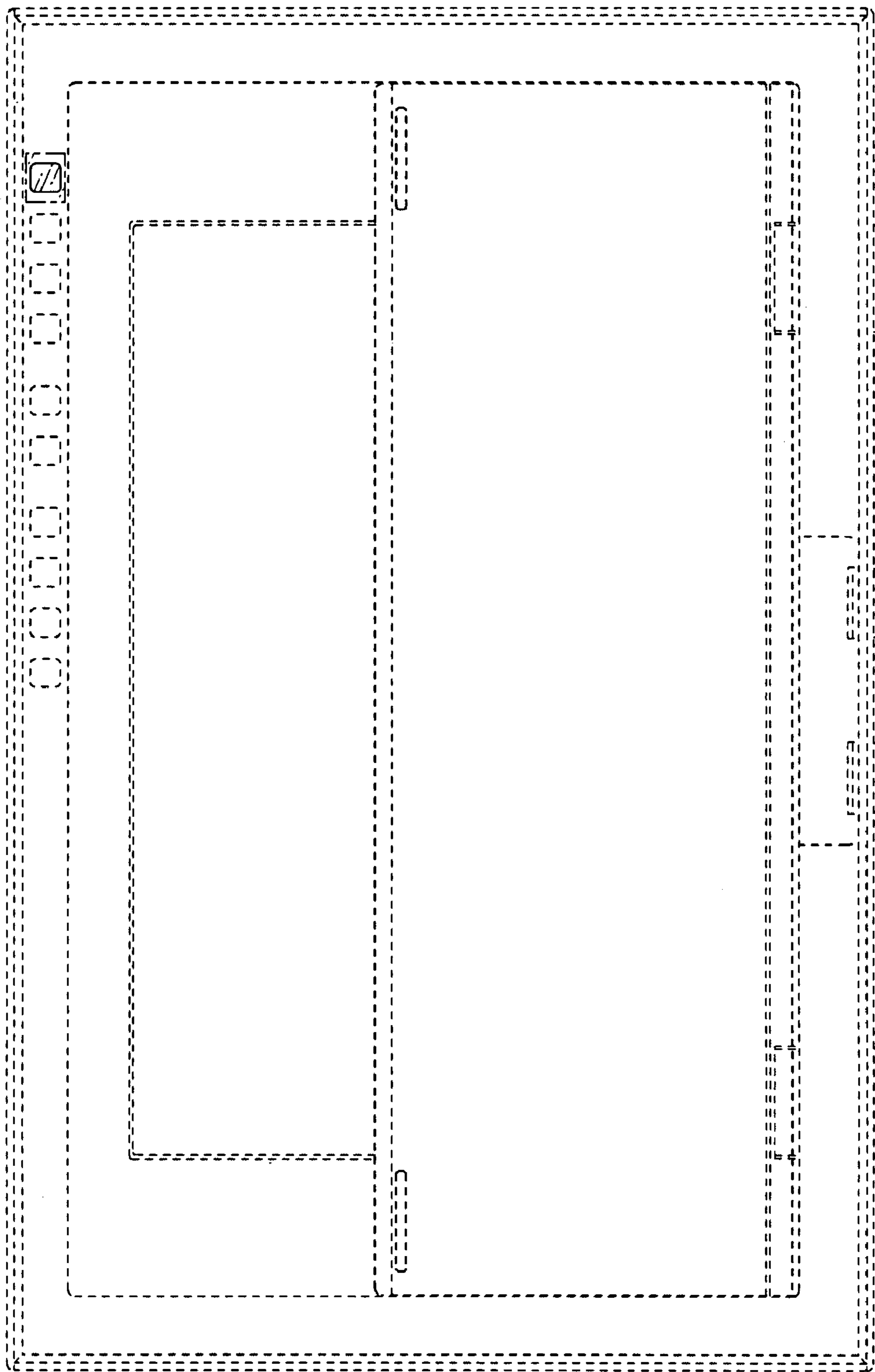


Fig. 15

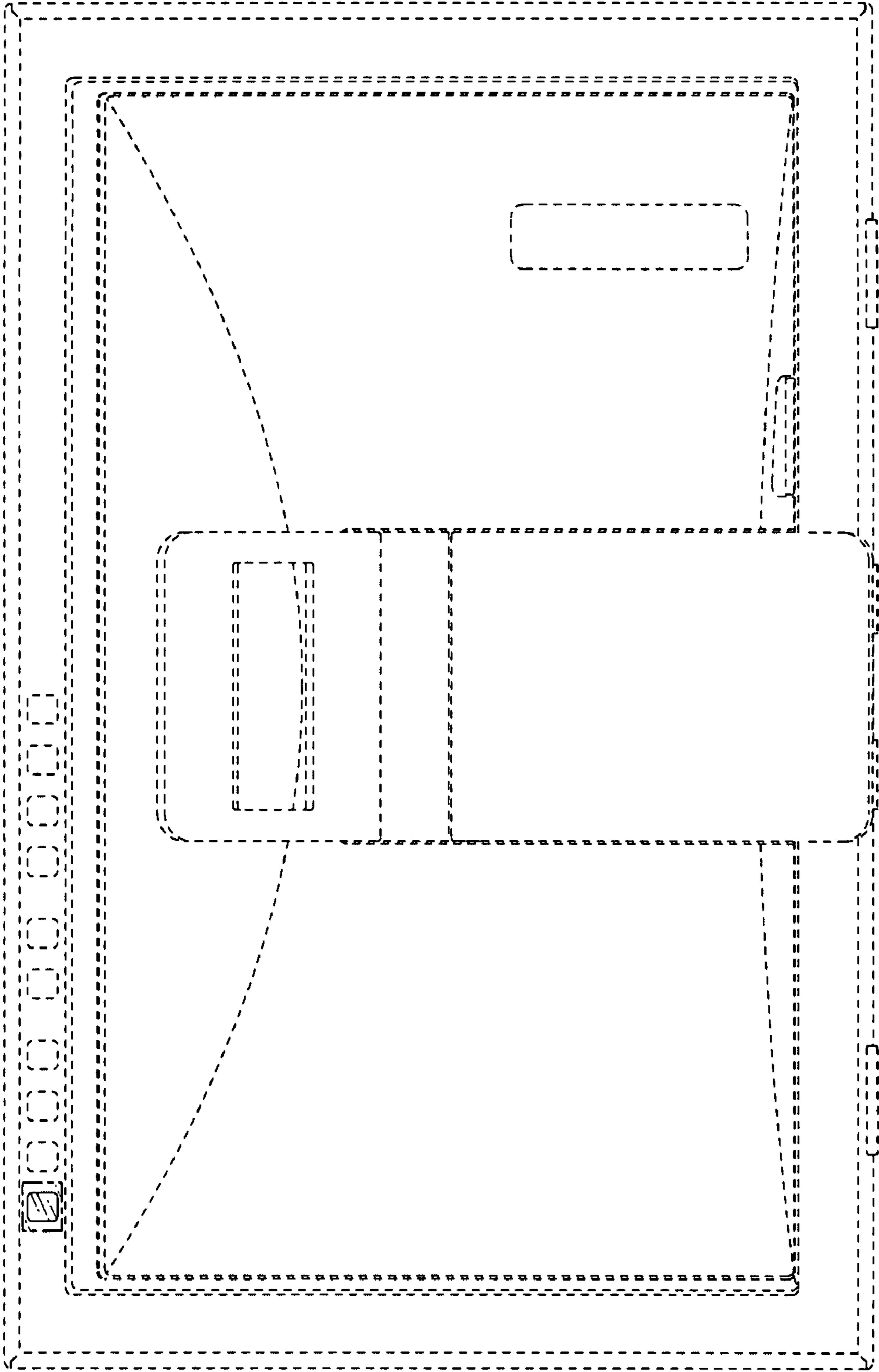


Fig.16

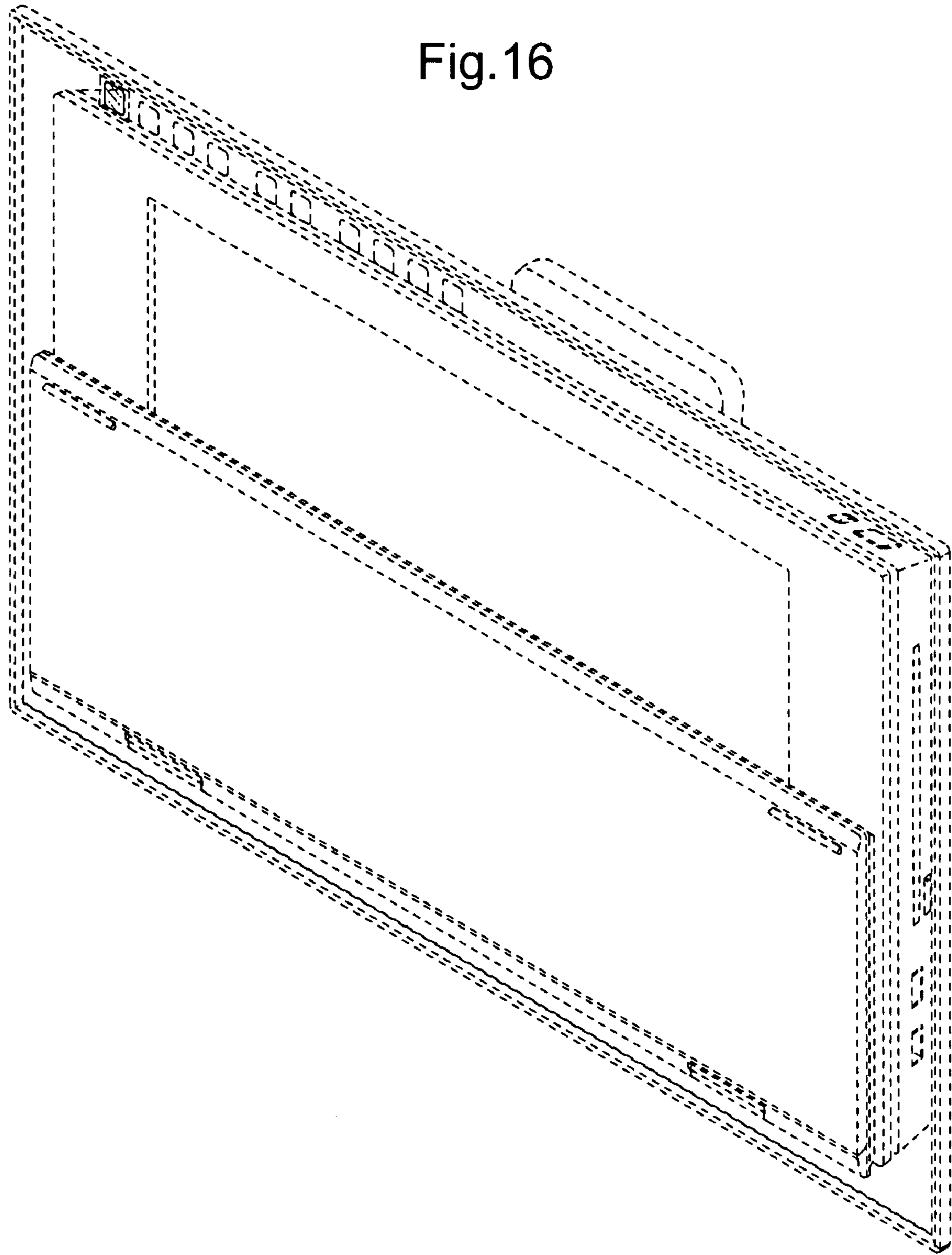


Fig.17

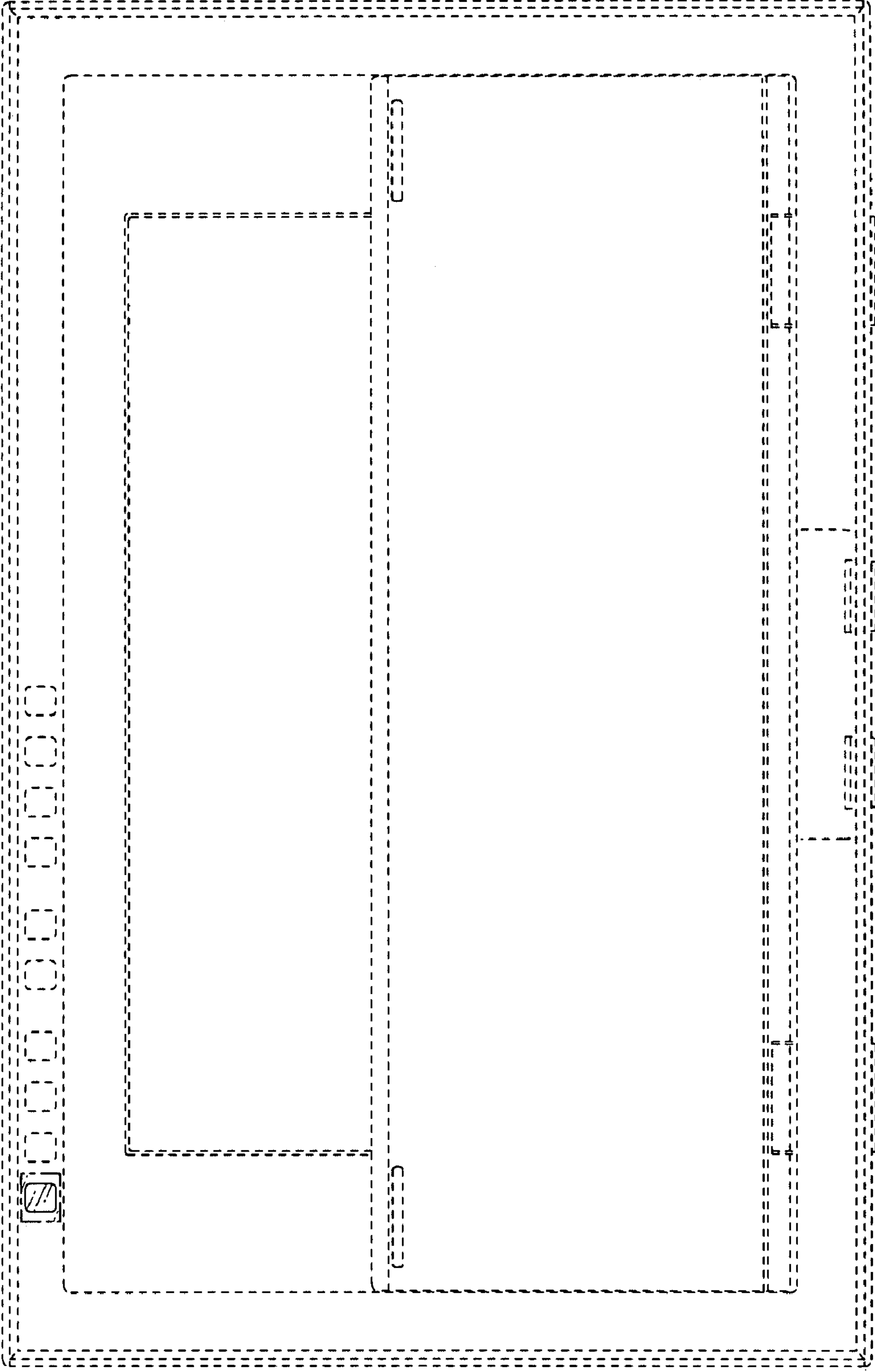


Fig.18

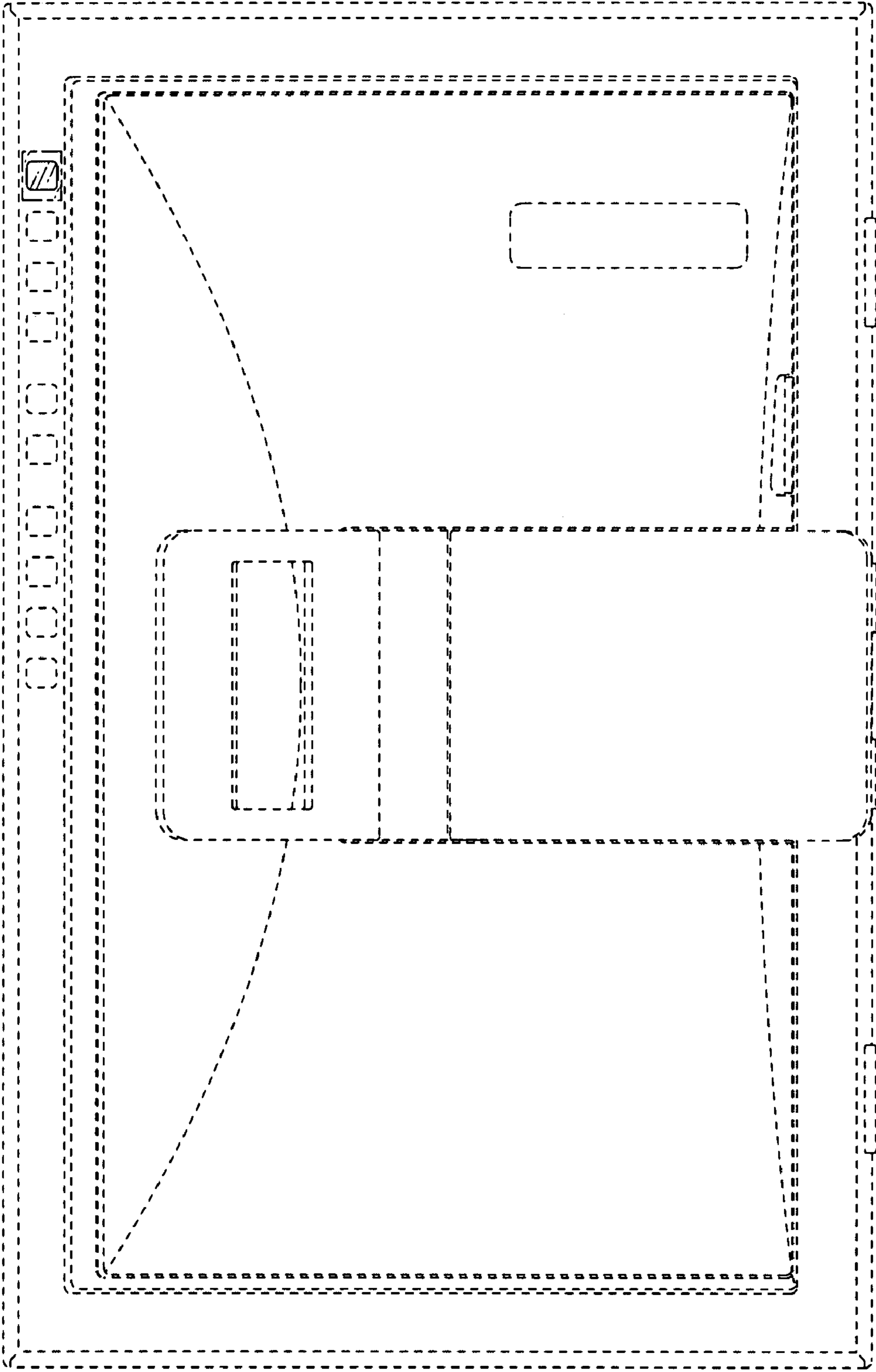


Fig.19

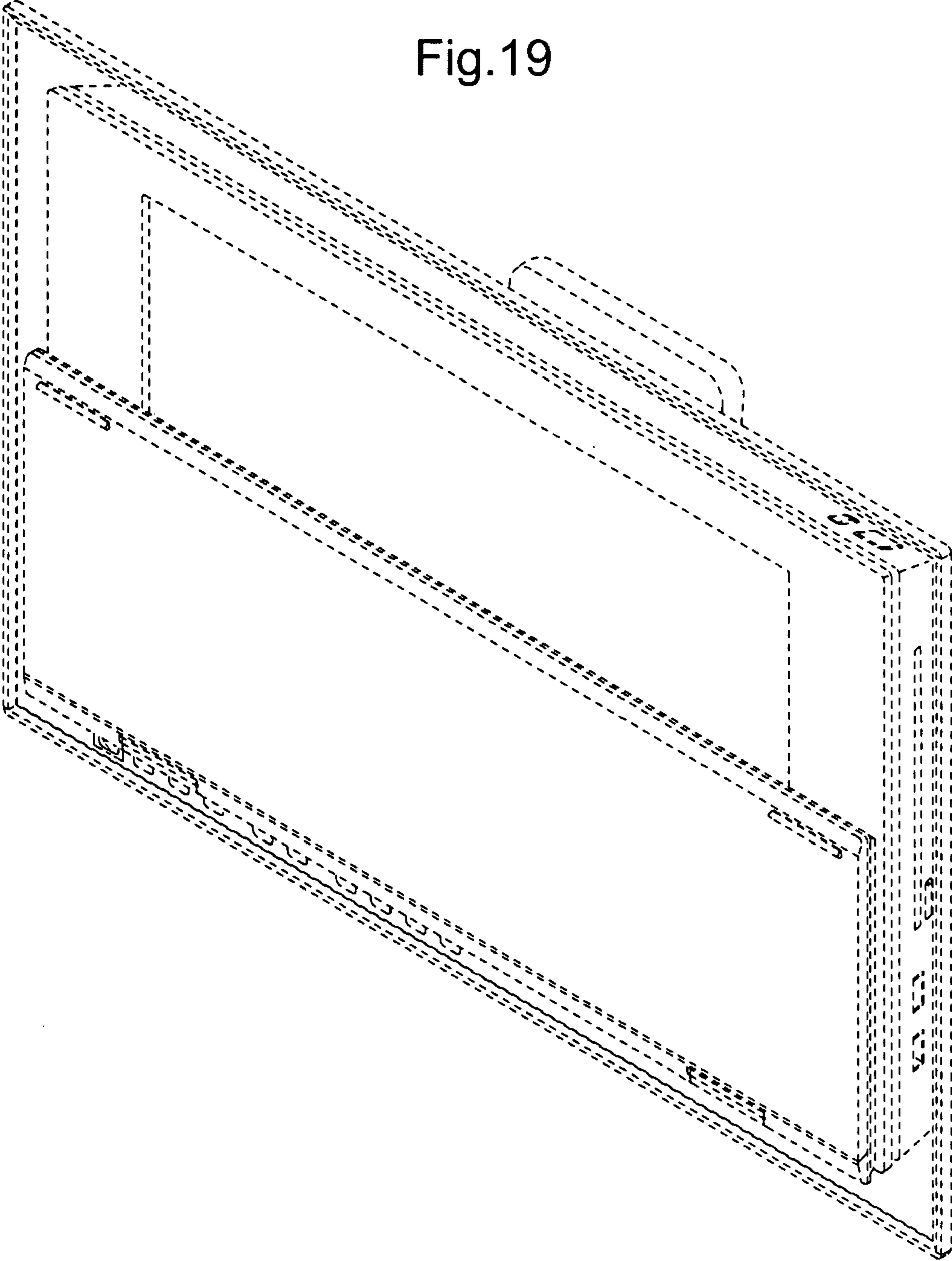


Fig. 20



Fig.21

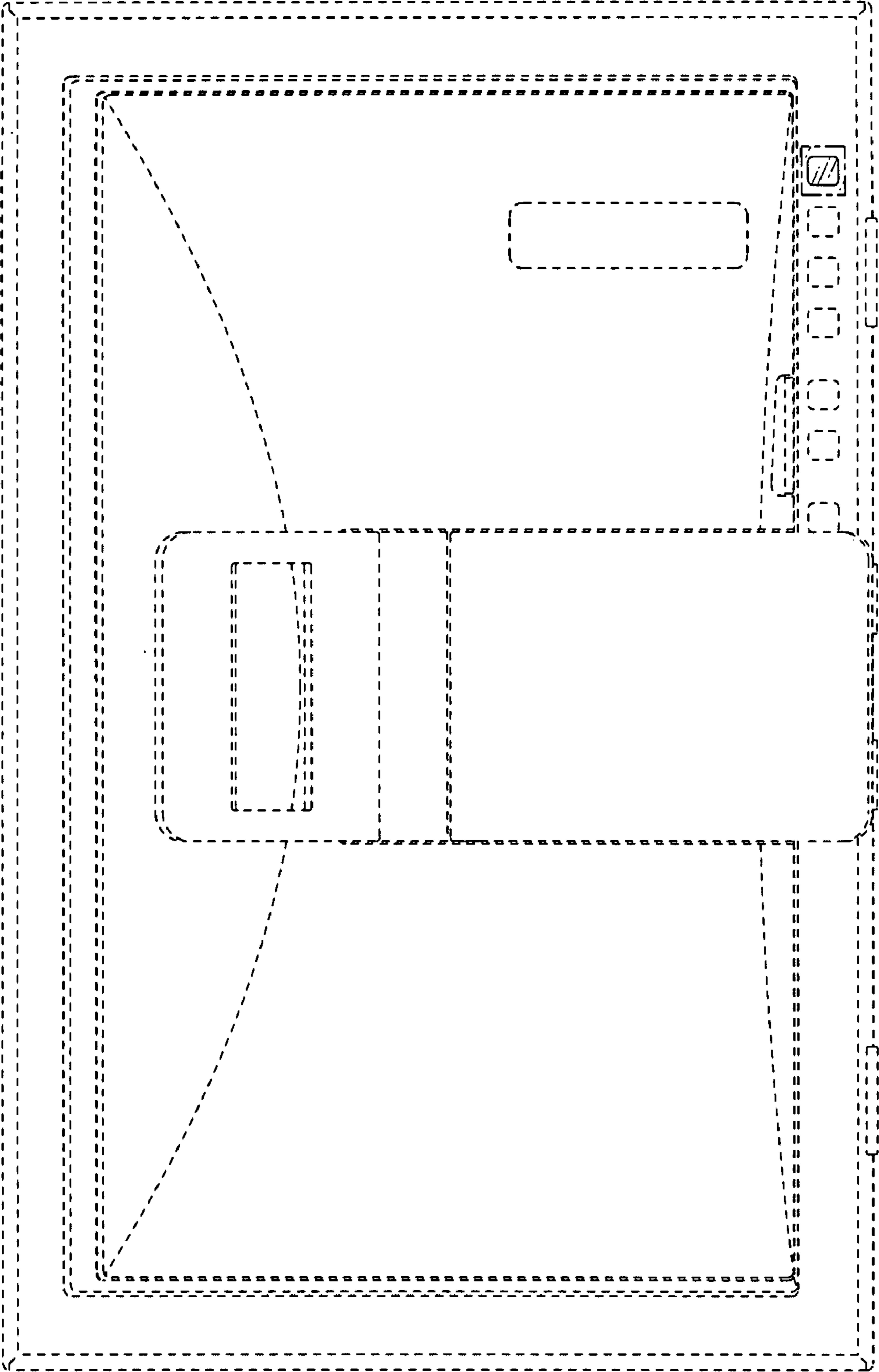


Fig.22

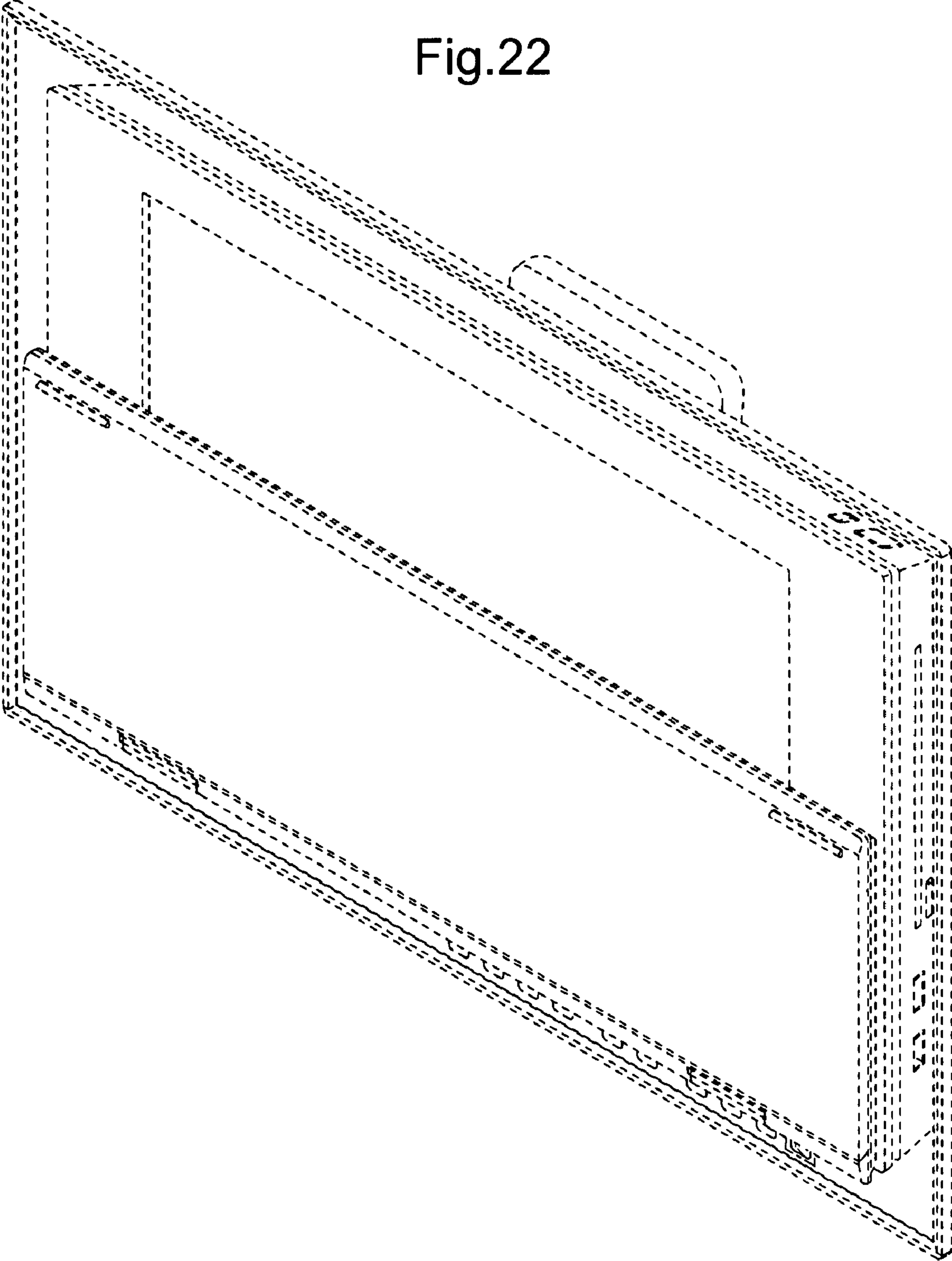


Fig.23



Fig.24

