



US00D605195S

(12) **United States Design Patent**
Jikuya et al.

(10) **Patent No.:** **US D605,195 S**

(45) **Date of Patent:** **** *Dec. 1, 2009**

(54) **OPTICAL DISC DRIVE**

(75) Inventors: **Nobuo Jikuya**, Fukuoka-ken (JP);
Masaomi Inoue, Fukuoka-ken (JP)

(73) Assignee: **Panasonic Corporation**, Osaka (JP)

(**) Term: **14 Years**

(21) Appl. No.: **29/322,158**

(22) Filed: **Jul. 30, 2008**

(30) **Foreign Application Priority Data**

Feb. 1, 2008 (JP) 2008-002233

(51) **LOC (9) Cl.** **14-02**

(52) **U.S. Cl.** **D14/368**

(58) **Field of Classification Search** D13/149,
D13/184; D14/301, 313, 348–358, 363,
D14/368–370, 432–436, 496, 137, 155, 167–168,
D14/240–242; 360/131–133, 97.01, 97.03;
361/683–686, 724–725, 752; 369/272.1,
369/273, 75, 11, 12, 13.01; 711/100, 115
See application file for complete search history.

(56) **References Cited**

U.S. PATENT DOCUMENTS

D350,340 S 9/1994 Inayama et al.
D385,883 S 11/1997 Takashina et al.
D389,150 S 1/1998 Tanaka
D389,470 S 1/1998 Schick et al.
D481,034 S 10/2003 Okano et al.
D491,940 S * 6/2004 Narita D14/368

D493,462 S 7/2004 Wang
D497,164 S 10/2004 Wang
D506,997 S 7/2005 Matsui et al.
D543,204 S 5/2007 Yoshino et al.
D558,751 S 1/2008 Chen
D572,252 S * 7/2008 Kuo et al. D14/367
D578,119 S * 10/2008 Camarena et al. D14/368

* cited by examiner

Primary Examiner—Brian N Vinson

(74) *Attorney, Agent, or Firm*—Brinks Hofer Gilson & Lione

(57) **CLAIM**

We claim the ornamental design for an optical disc drive, as shown and described.

DESCRIPTION

FIG. 1 is a top perspective view of an optical disc drive of the present invention;

FIG. 2 is a front view thereof;

FIG. 3 is a rear view thereof;

FIG. 4 is a first side view thereof;

FIG. 5 is a second side view thereof;

FIG. 6 is a top view thereof;

FIG. 7 is a bottom view thereof; and,

FIG. 8 is a bottom perspective view thereof.

The broken-line disclosure in the views is understood to represent portions of the article in which the claimed design is embodied, but which form no part of the claimed design.

1 Claim, 6 Drawing Sheets

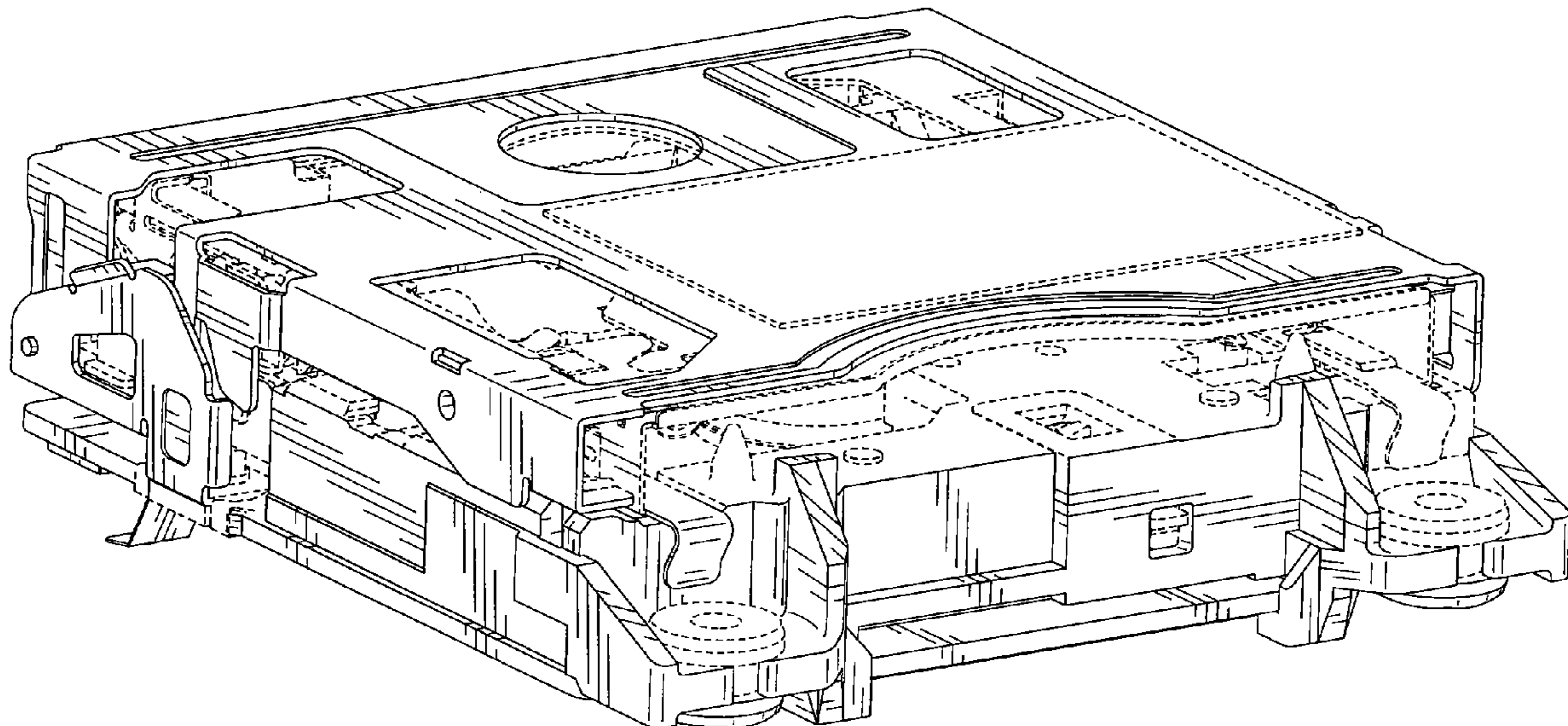


FIG.1

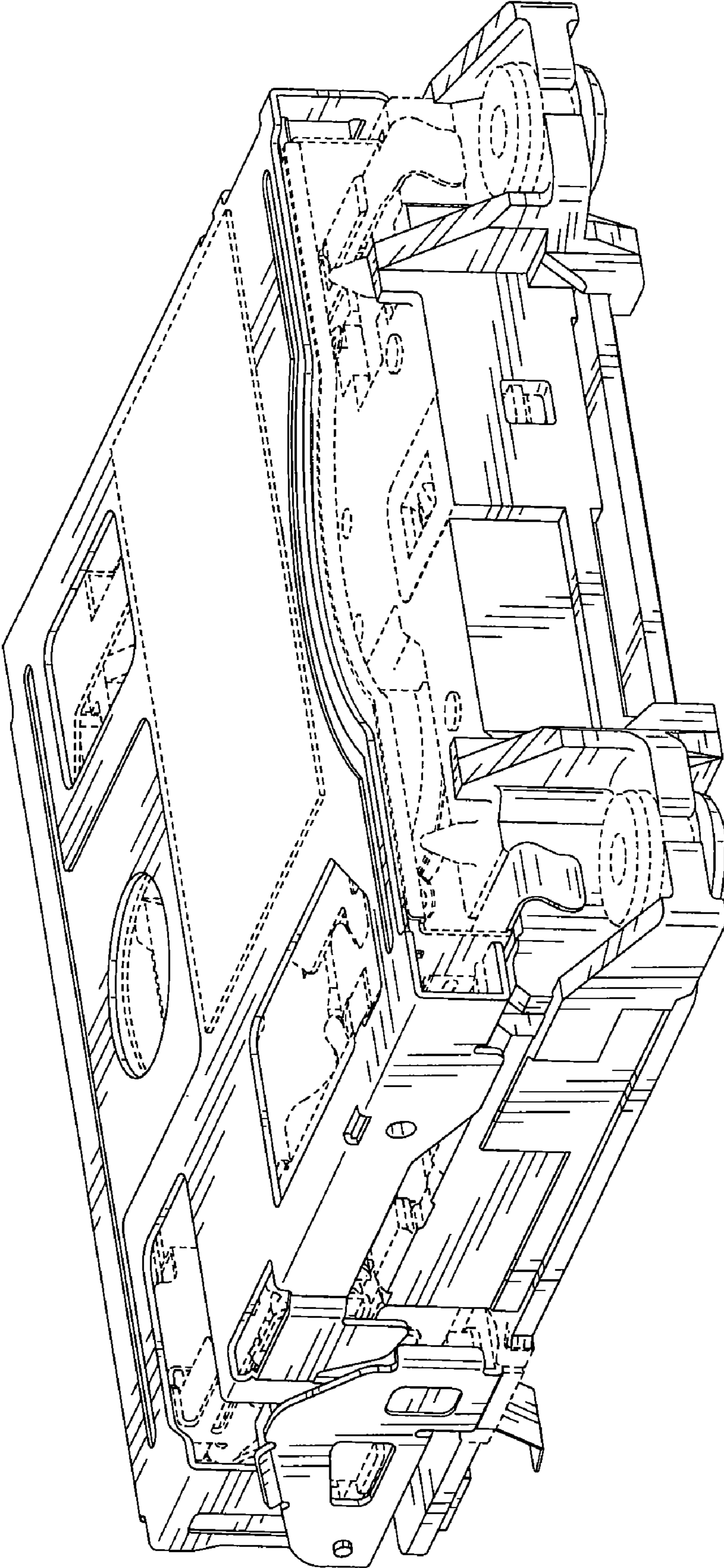


FIG.2

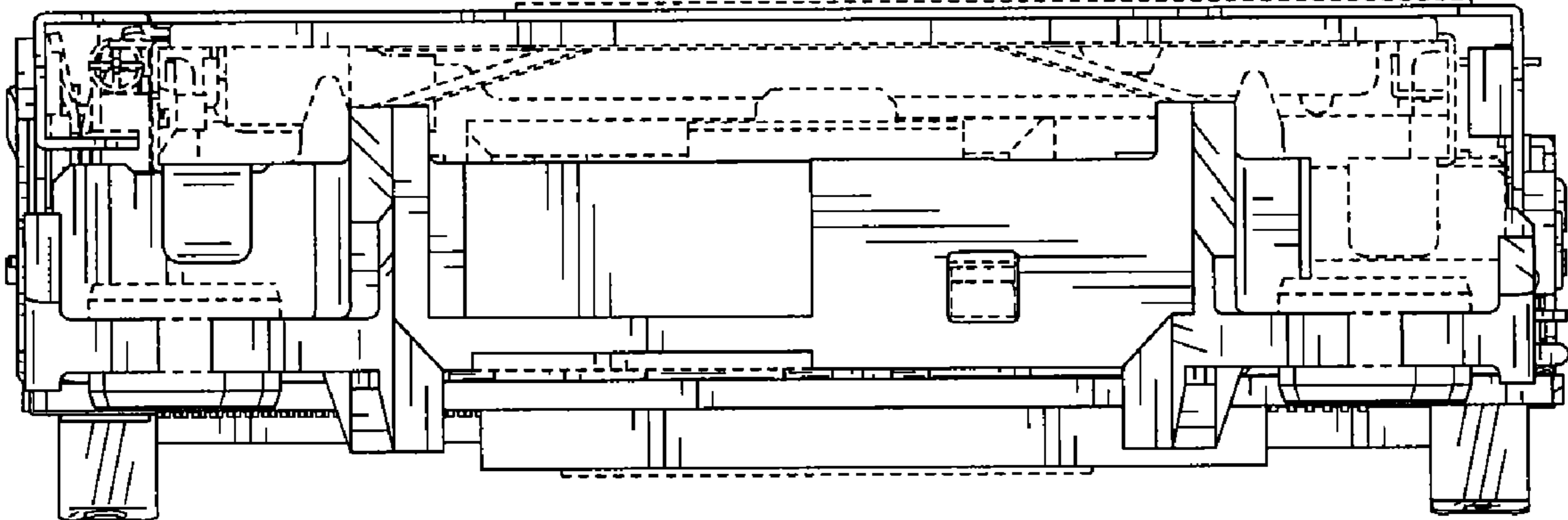


FIG.3

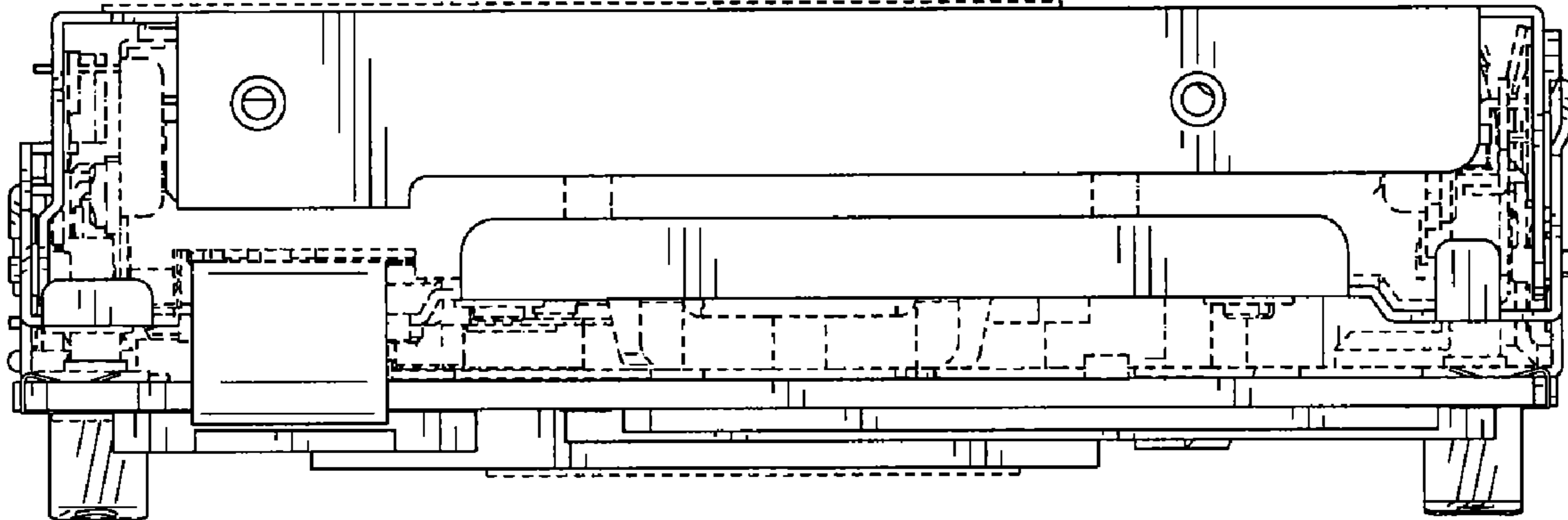


FIG.4

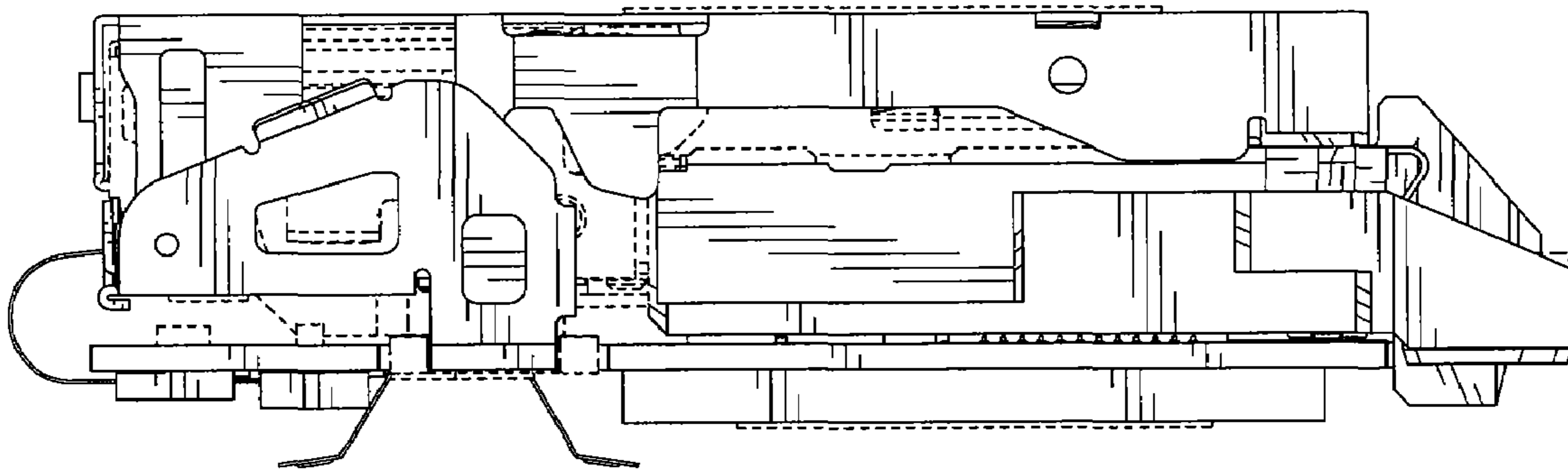


FIG.5

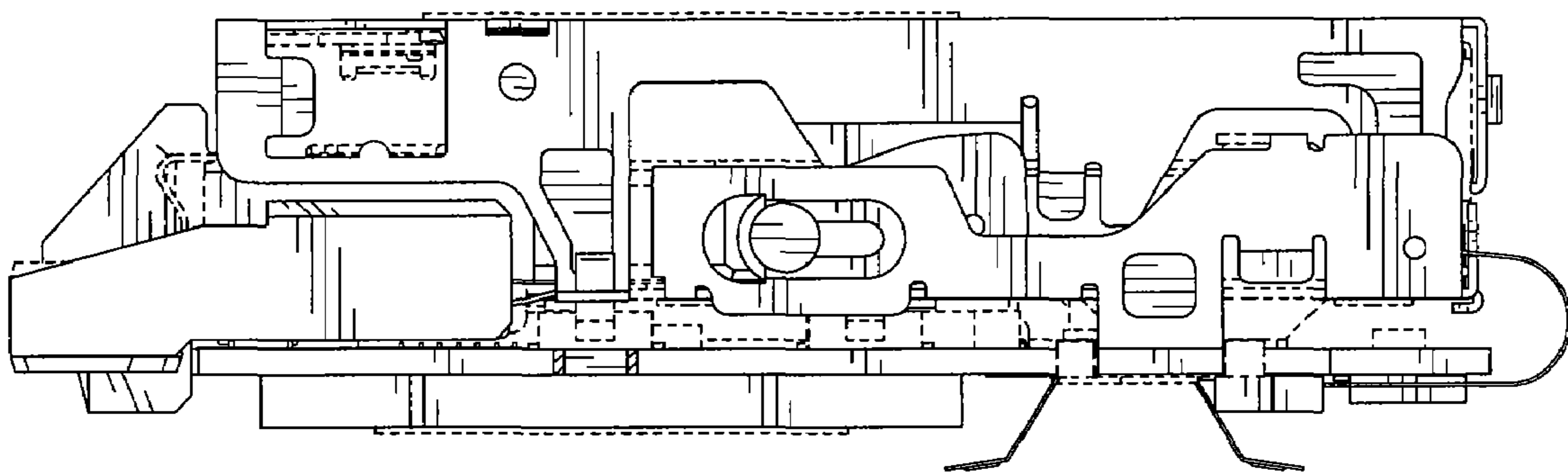


FIG.6

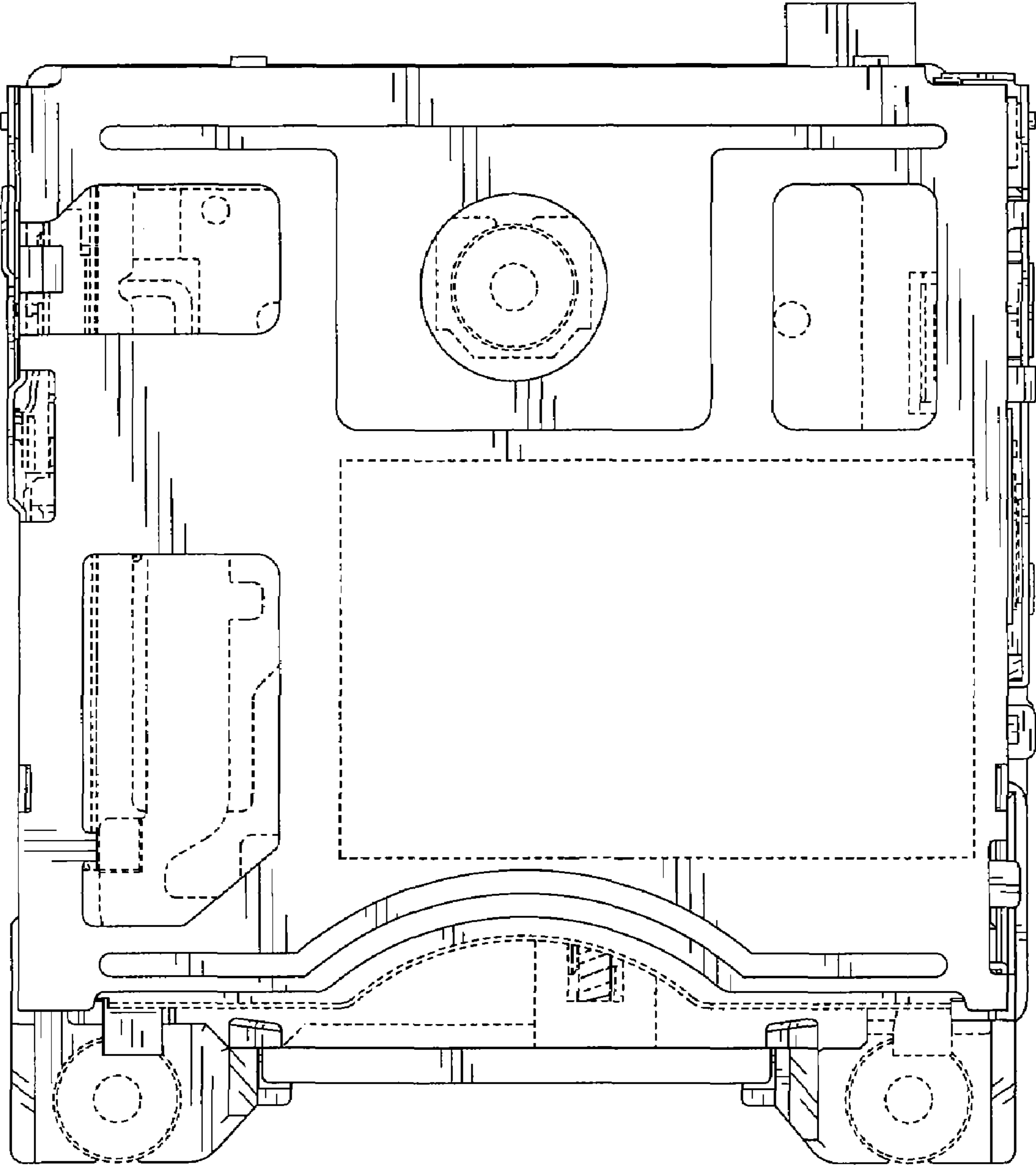


FIG.7

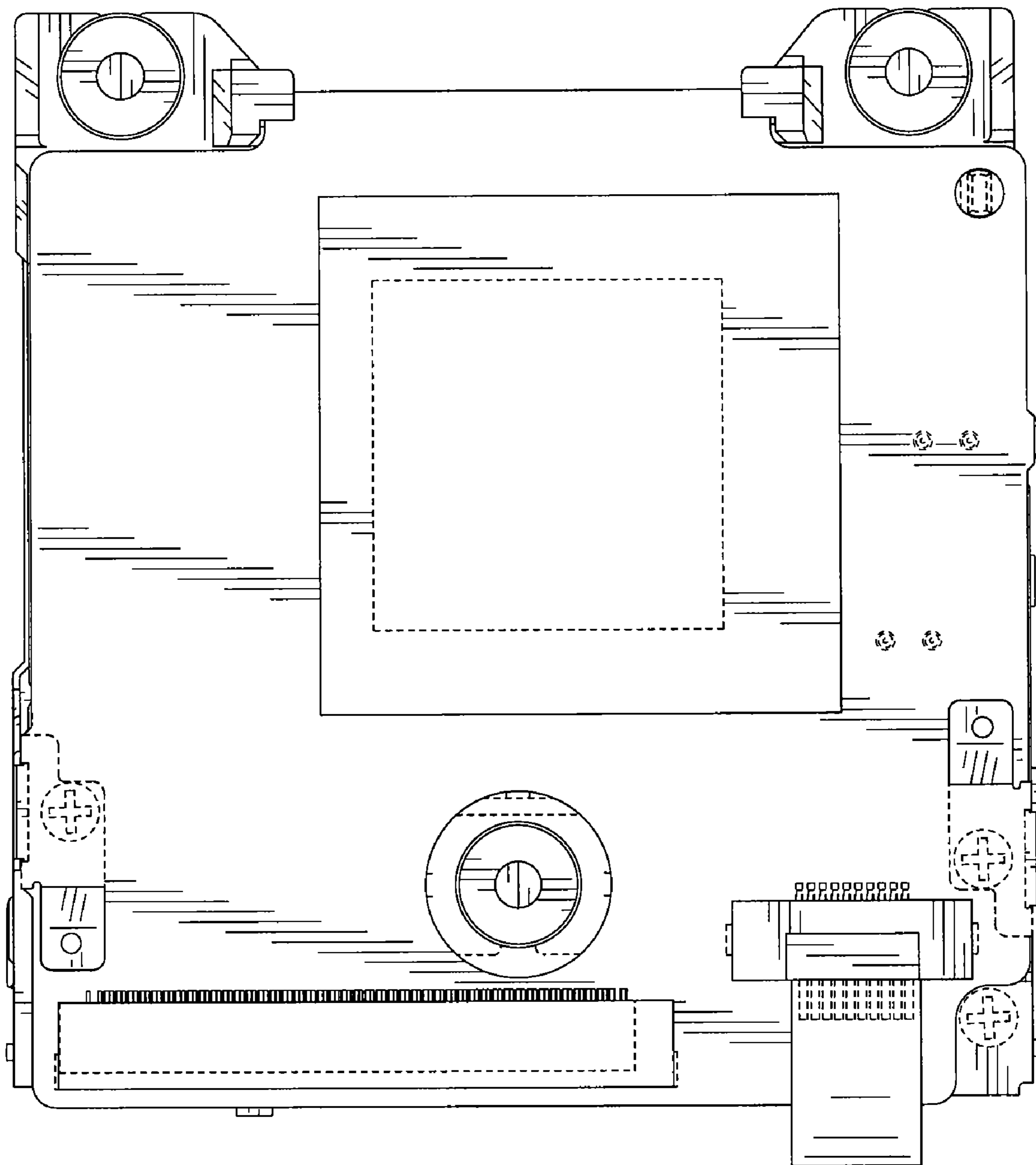


FIG.8

