



US00D605191S

(12) **United States Design Patent**  
**Kuroda et al.**

(10) **Patent No.:** **US D605,191 S**  
(45) **Date of Patent:** **\*\* Dec. 1, 2009**

(54) **COMPUTER TERMINAL**

(75) Inventors: **Satoshi Kuroda**, Kahoku (JP); **Minoru Sugitani**, Kahoku (JP); **Shuji Hashimoto**, Komatsu (JP)

(73) Assignee: **PFU Limited**, Ishikawa (JP)

(\*\*) Term: **14 Years**

(21) Appl. No.: **29/309,720**

(22) Filed: **Sep. 29, 2008**

(30) **Foreign Application Priority Data**

May 22, 2008 (JP) ..... 2008-012828

(51) **LOC (9) Cl.** ..... **14-02**

(52) **U.S. Cl.** ..... **D14/307**

(58) **Field of Classification Search** ..... D14/302-307, D14/371, 373, 374, 336, 341, 125-127, 129, D14/900-902; D13/163; D20/10; D21/329, D21/332, 325, 369, 370; D99/28; D6/329, D6/369, 397, 466-469, 471, 472, 402; D10/65; 194/206; 361/679.01, 679.02, 679.04, 679.21, 361/679.57, 724

See application file for complete search history.

(56) **References Cited**

**U.S. PATENT DOCUMENTS**

D378,534 S \* 3/1997 Kato et al. .... D20/10  
D389,522 S \* 1/1998 Hesselbach et al. .... D20/10  
D395,129 S \* 6/1998 Johnson ..... D99/28  
D401,973 S \* 12/1998 Isshiki et al. .... D20/10  
D415,330 S \* 10/1999 King ..... D99/28  
D417,440 S \* 12/1999 Wilson ..... D14/374  
D417,893 S \* 12/1999 Hunter et al. .... D20/10  
D431,708 S \* 10/2000 McCormack et al. .... D99/28  
D436,999 S \* 1/2001 Cronley ..... D20/10

D442,560 S \* 5/2001 Price et al. .... D13/163  
D449,726 S \* 10/2001 Lin ..... D99/28  
D452,712 S \* 1/2002 Kim ..... D20/10  
D505,948 S \* 6/2005 Vrachan et al. .... D14/307  
D511,514 S \* 11/2005 Sonetaka et al. .... D14/307  
D518,480 S \* 4/2006 Zheng et al. .... D14/307  
D546,893 S \* 7/2007 Yamashita ..... D21/325  
D548,287 S \* 8/2007 Yamanaka et al. .... D21/325  
D557,349 S \* 12/2007 Linard et al. .... D21/370  
D563,404 S \* 3/2008 Taniho et al. .... D14/302  
D563,405 S \* 3/2008 Taniho et al. .... D14/336  
D565,044 S \* 3/2008 Witts et al. .... D14/307  
D585,943 S \* 2/2009 Pymm et al. .... D20/10

**FOREIGN PATENT DOCUMENTS**

JP D 1327783 4/2008

\* cited by examiner

*Primary Examiner*—Cathron C Brooks

*Assistant Examiner*—Deanna Fluegeman

(74) *Attorney, Agent, or Firm*—Staas & Halsey LLP

(57) **CLAIM**

The ornamental design for a computer terminal, as shown and described.

**DESCRIPTION**

FIG. 1 is a front perspective view of a computer terminal showing our new design;

FIG. 2 is a front view thereof;

FIG. 3 is a rear view thereof;

FIG. 4 is a left side elevational view thereof;

FIG. 5 is a right side elevational view thereof;

FIG. 6 is a top plan view thereof; and,

FIG. 7 is a bottom plan view thereof.

**1 Claim, 3 Drawing Sheets**

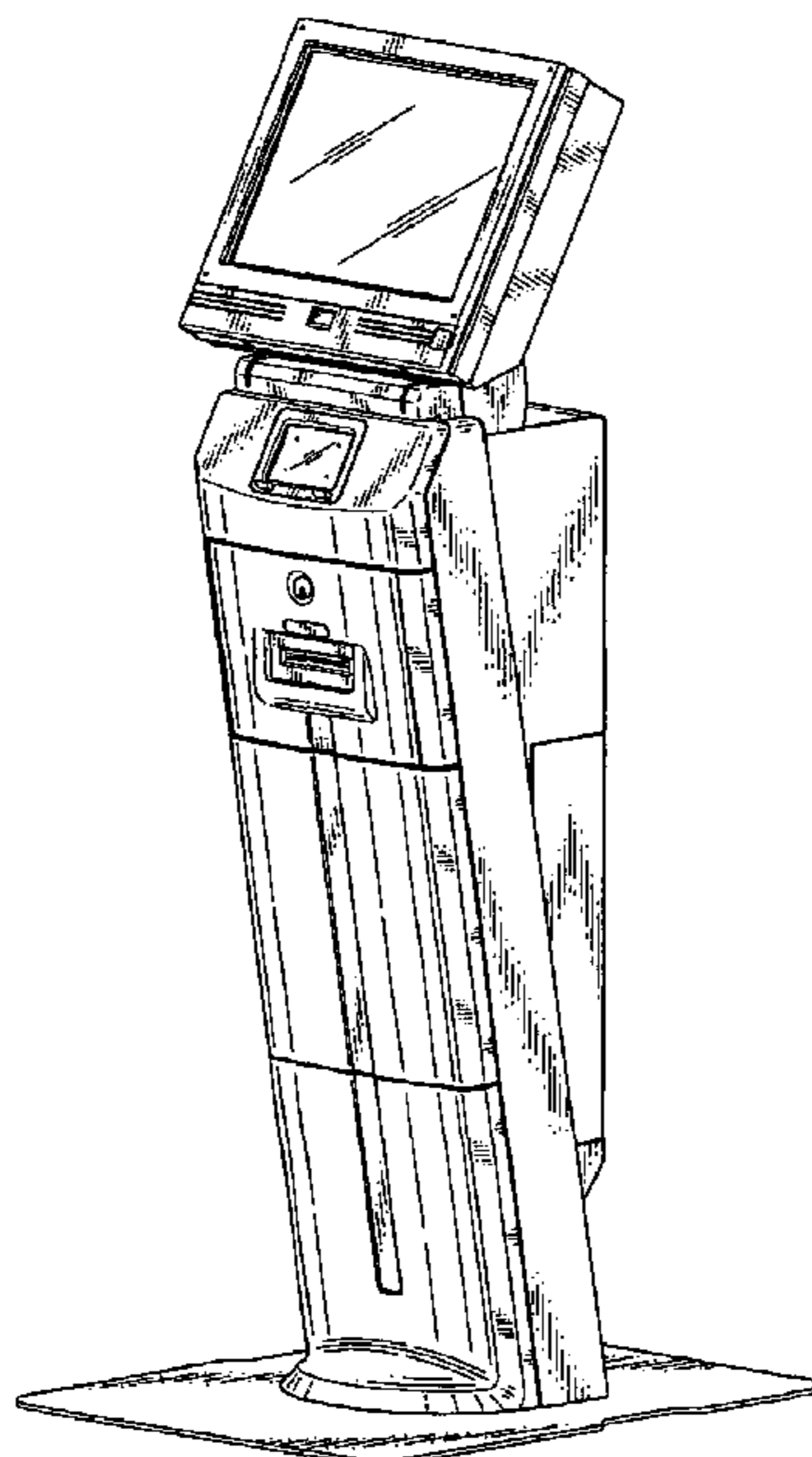


Fig. 1

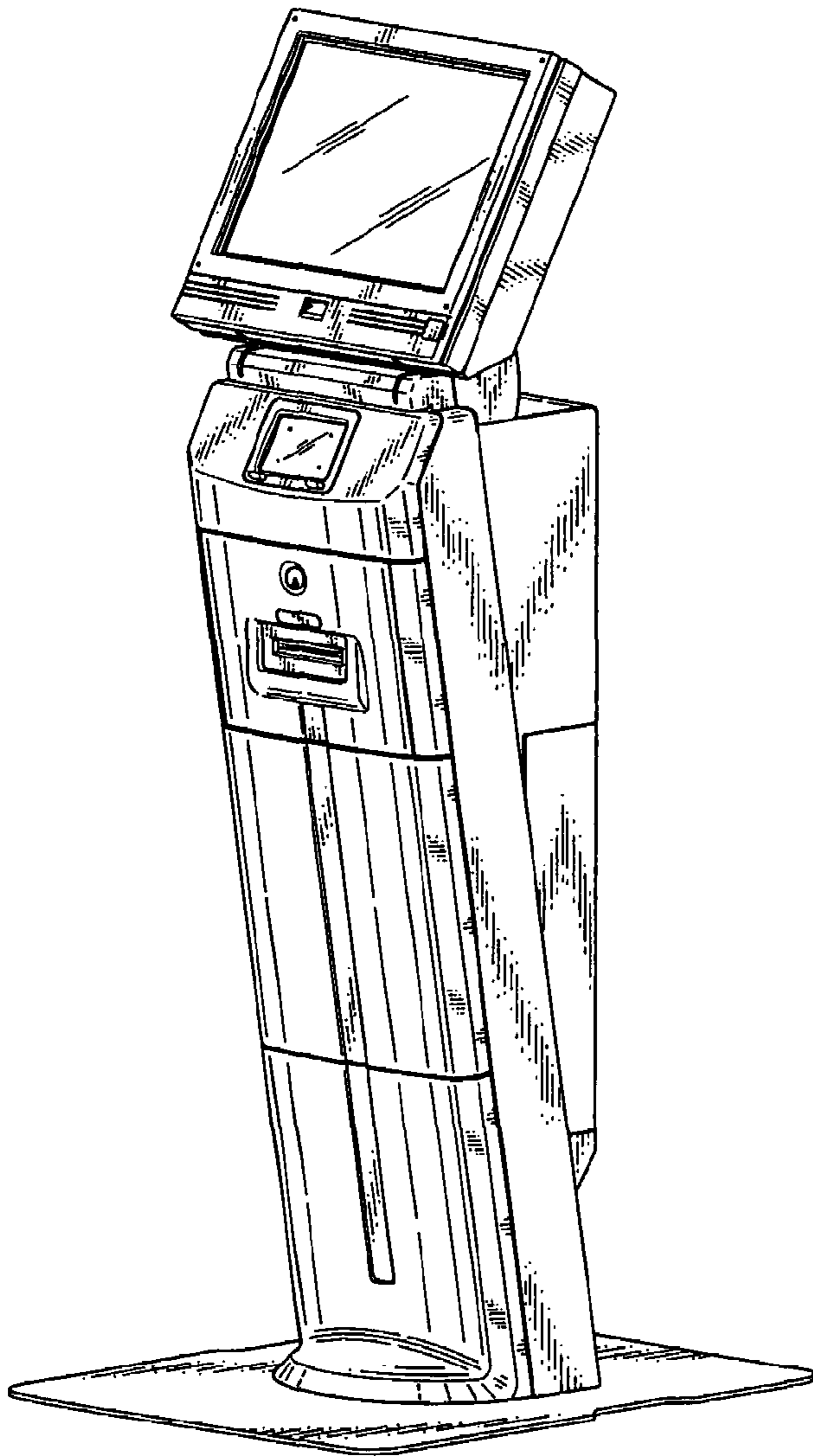


Fig. 2

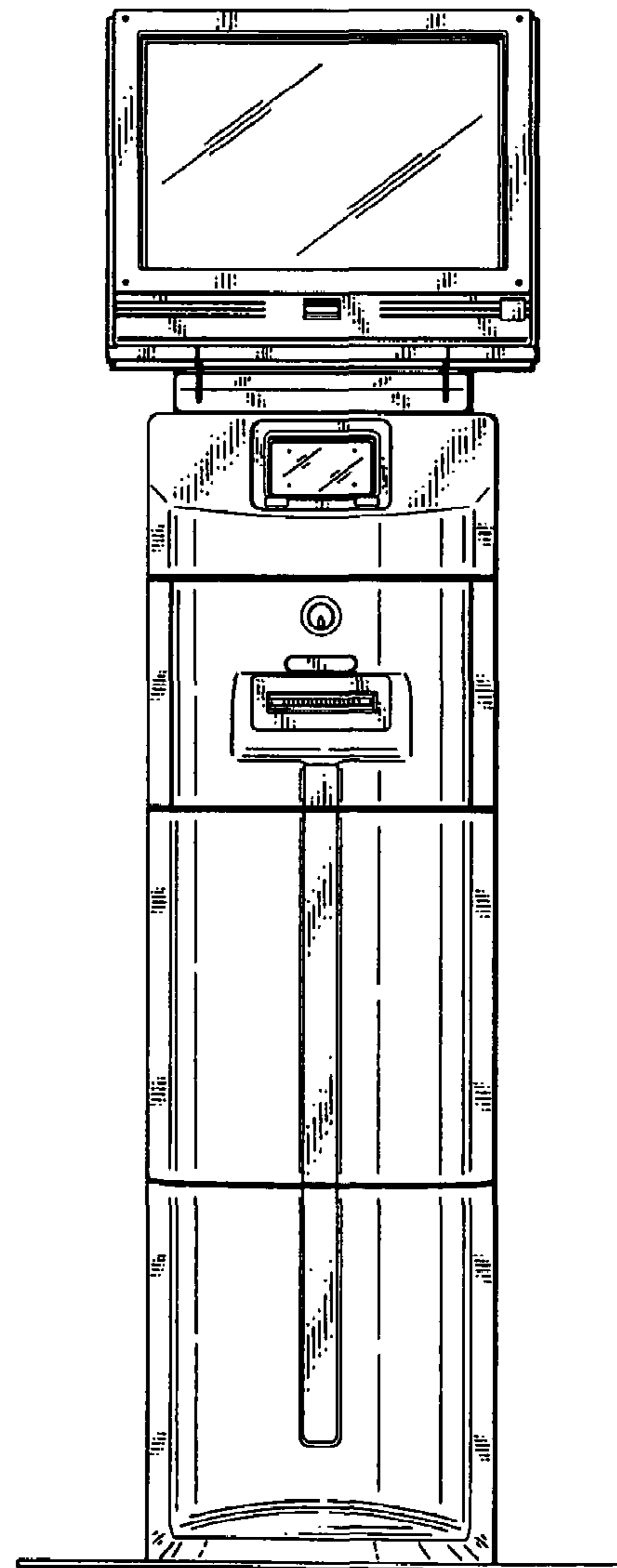


Fig.3

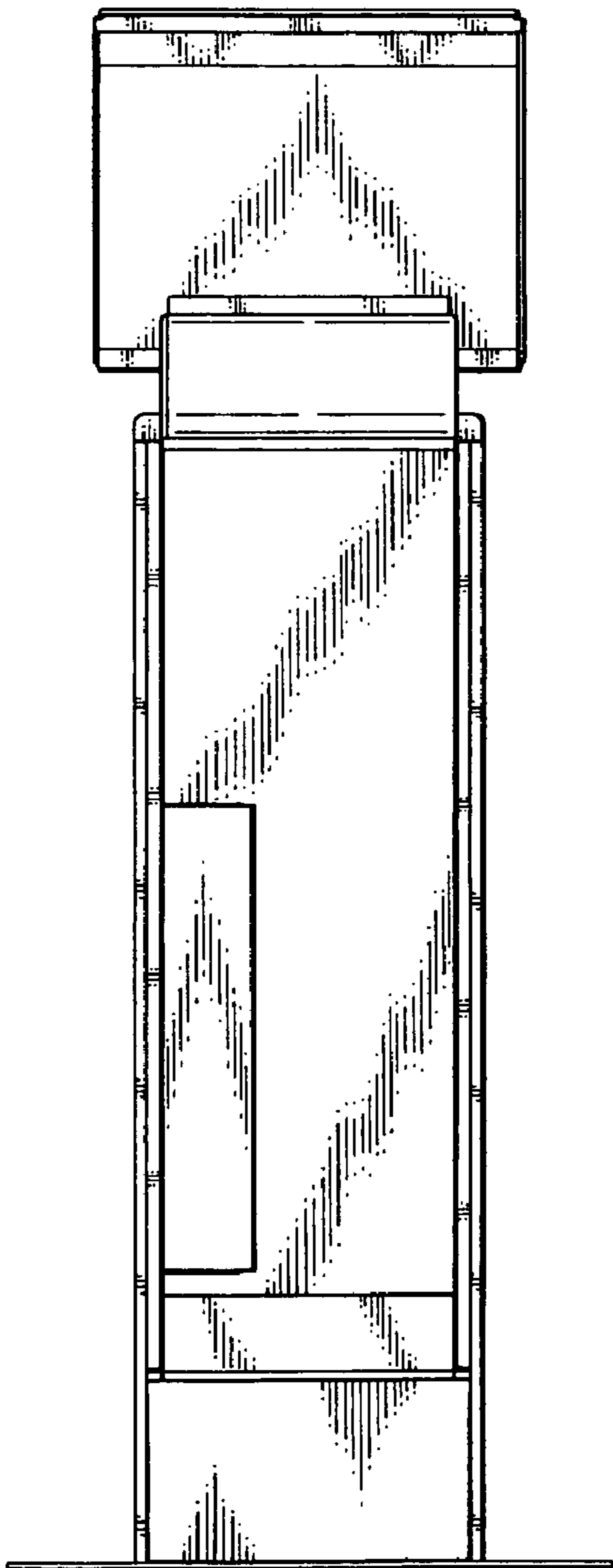


Fig.4

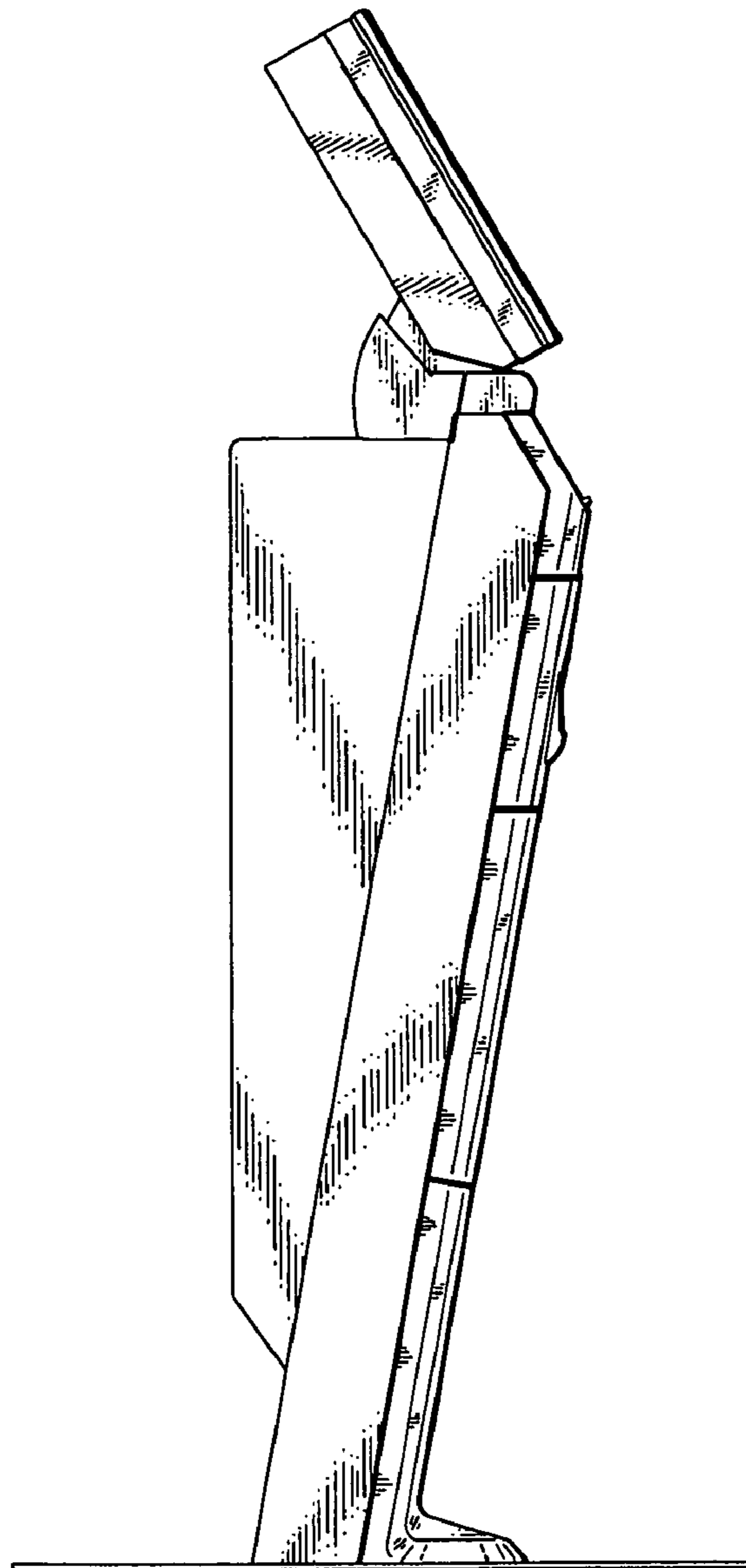


Fig.5

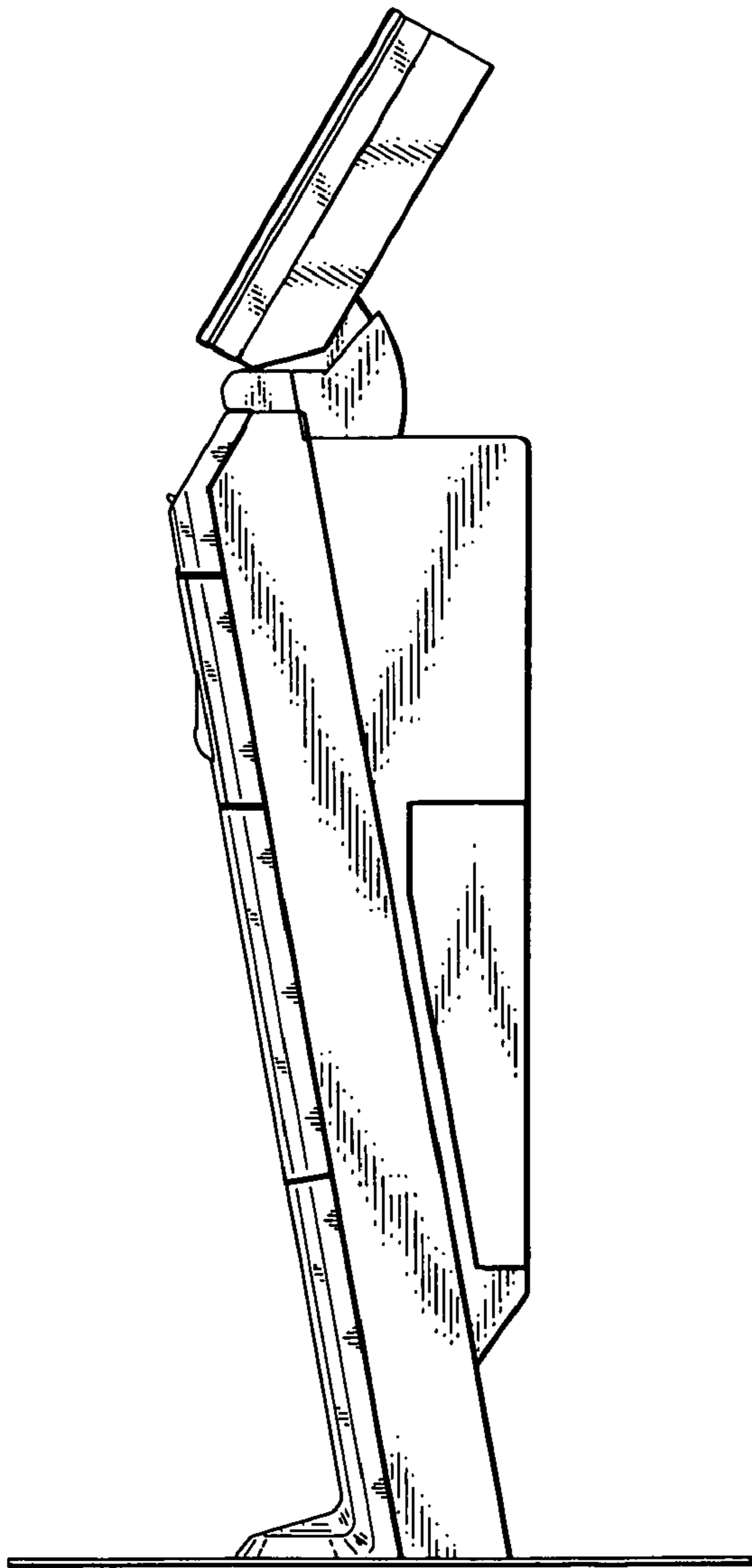


Fig.6

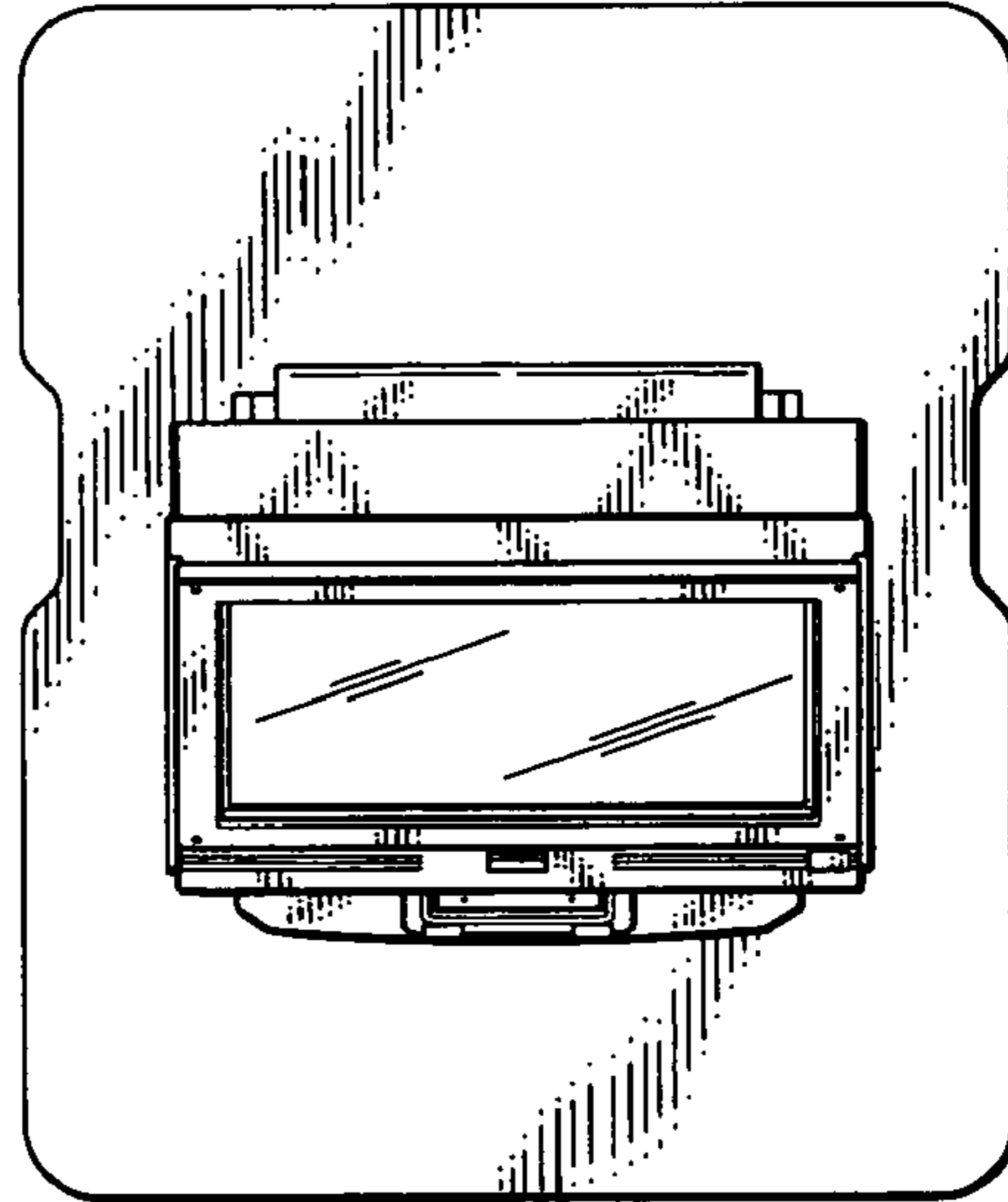


Fig.7

