



US00D605188S

(12) **United States Design Patent**  
**Martinez**

(10) **Patent No.:** **US D605,188 S**  
(45) **Date of Patent:** **\*\* Dec. 1, 2009**

(54) **SUCTION CUP HOLDER FOR A CELLULAR TELEPHONE**

D449,752 S \* 10/2001 Snell ..... D6/537  
(Continued)

(75) Inventor: **Richard J. Martinez**, 1633 Lowe Dr., Algonquin, IL (US) 60102

**OTHER PUBLICATIONS**

(73) Assignee: **Richard J. Martinez**, Algonquin, IL (US)

Universal Wind Shield Cell Phone Holder, <URL:http://www.cellphoneshop.net/noname111.html>, retrieved from internet Sep. 22, 2009.\*

(\*\*) Term: **14 Years**

Window Hoder Suction Cups, <URL:http://www.alibaba.com/product-free/239203203/680201\_Window\_Holder\_Suction\_Cups\_Used/showimage.html>, retrieved from internet Sep. 22, 2009.\*

(21) Appl. No.: **29/324,961**

Wilson Window Mount for Magnet Antenna, <URL:http://www.accessorygeeks.com/wilson-901118-window-mount.html>, retrieved from internet Sep. 22, 2009.\*

(22) Filed: **Sep. 24, 2008**

*Primary Examiner*—Ian Simmons

(51) **LOC (9) Cl.** ..... **14-03**

*Assistant Examiner*—Carla Jobe Wright

(52) **U.S. Cl.** ..... **D14/253**

(74) *Attorney, Agent, or Firm*—Mathew R. P. Perrone, Jr.; Brie A. Crawford

(58) **Field of Classification Search** ..... D14/140, D14/142, 148–149, 240, 242, 250–253, 345, D14/432, 434, 439–440, 447, 452, 454; D8/363, D8/373; D12/415; 248/206.2–206.4, 220.21, 248/279.1; 379/420.04, 426, 433.11, 446–447, 379/454, 455; D13/107–108; D3/200–201, D3/218–219, 269, 228; 224/191, 240; 455/575.1, 455/575.6, 575.8, 575.9

See application file for complete search history.

(57) **CLAIM**

The ornamental design for a suction cup holder for a cellular telephone, as shown and described.

(56) **References Cited**

**DESCRIPTION**

**U.S. PATENT DOCUMENTS**

1,694,235	A *	12/1928	Schoenfelder	.....	248/206.4
2,915,271	A *	12/1959	Ruttger	.....	248/206.3
3,071,886	A *	1/1963	Stiller	.....	248/206.3
3,608,853	A *	9/1971	Sertich	.....	248/309.3
D254,037	S *	1/1980	Woods	.....	D6/540
4,648,572	A *	3/1987	Sokol	.....	248/206.2
4,836,482	A *	6/1989	Sokol	.....	248/206.3
4,848,542	A *	7/1989	Burnette et al.	.....	206/765
4,863,130	A *	9/1989	Marks, Jr.	.....	248/206.3
5,039,046	A *	8/1991	Brewster	.....	248/206.3
D333,584	S *	3/1993	Starr, IV	.....	D6/574
D357,170	S *	4/1995	Wellsfry	.....	D8/349
5,435,511	A *	7/1995	Hsu	.....	248/206.3
5,765,604	A *	6/1998	Garvey, III	.....	141/86
6,276,649	B1 *	8/2001	Kruse	.....	248/346.01

FIG. 1 is a front perspective view of a suction cup holder for a cellular telephone showing my new design;

FIG. 2 is another front perspective view thereof;

FIG. 3 is a front elevational view thereof;

FIG. 4 is a rear elevational view thereof;

FIG. 5 is side view thereof;

FIG. 6 is another side view thereof;

FIG. 7 is a top plan view thereof;

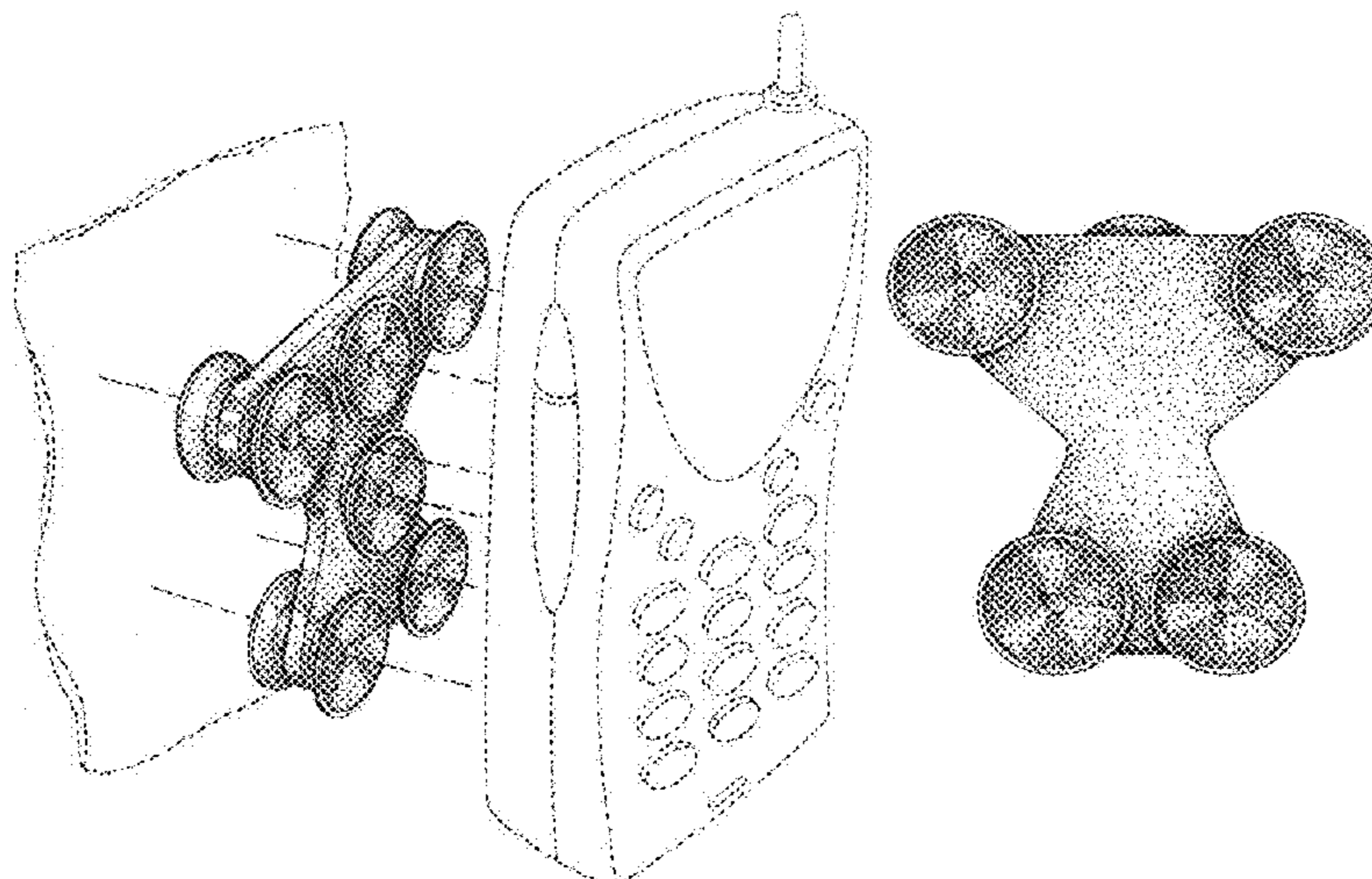
FIG. 8 is a bottom plan view thereof;

FIG. 9 is a rear perspective view thereof; and,

FIG. 10 is another rear perspective view thereof.

The broken line showing of the cellular telephone and vehicle dashboard in FIGS. 1 and 9 is for illustrative purposes only and forms no part of the claimed design.

**1 Claim, 5 Drawing Sheets**



# US D605,188 S

Page 2

---

## U.S. PATENT DOCUMENTS

D450,213 S *	11/2001	Snell .....	D6/566	6,886,793 B2 *	5/2005	Snell .....	248/309.1
D473,562 S *	4/2003	Russell .....	D14/447	D521,990 S *	5/2006	Richter .....	D14/253
D473,563 S *	4/2003	Russell .....	D14/447	D552,970 S *	10/2007	Brassard .....	D8/354
6,779,765 B2 *	8/2004	Zheng et al. ....	248/206.3	D567,810 S *	4/2008	Yeh .....	D14/253

\* cited by examiner

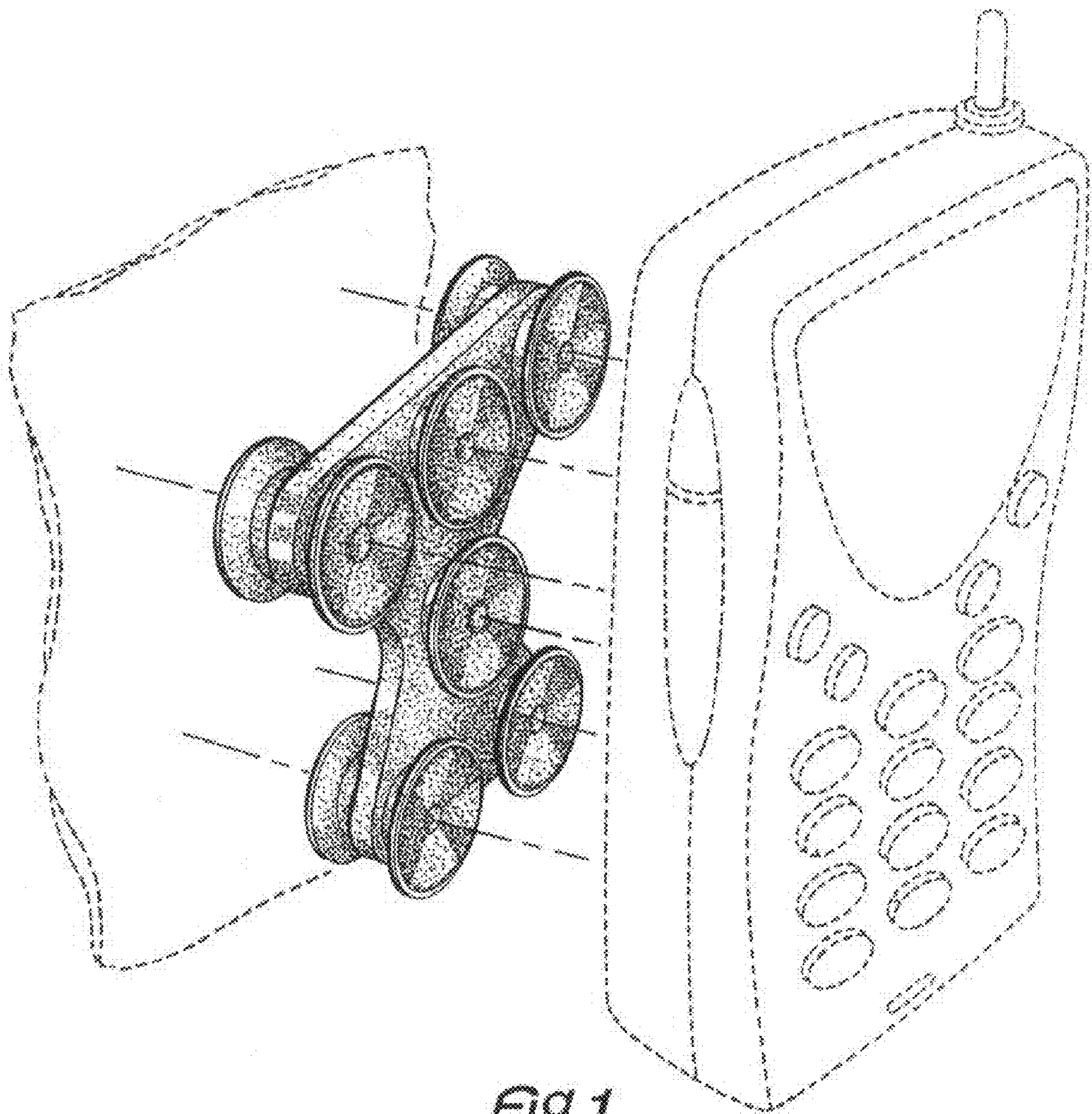


FIG. 1.

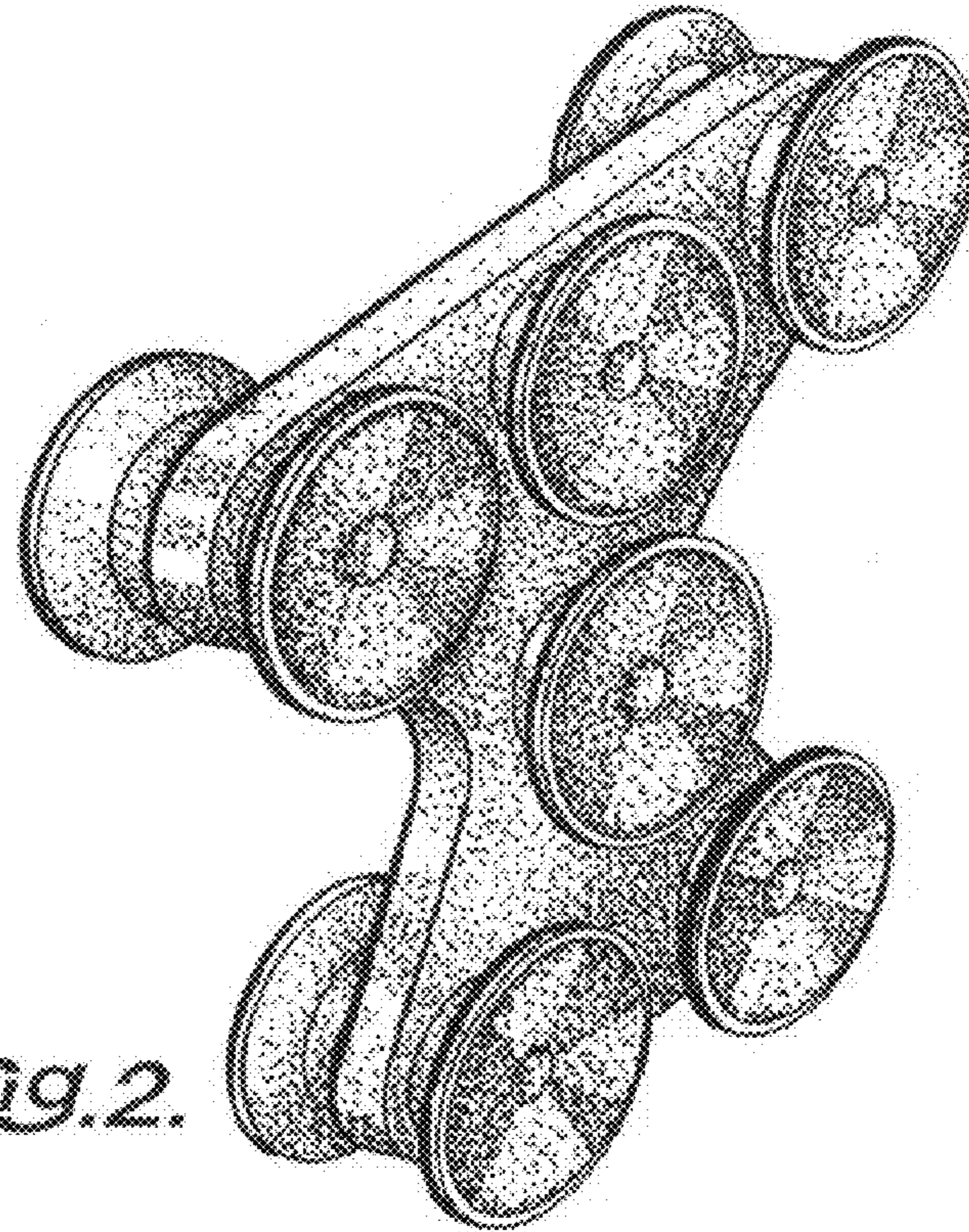


FIG. 2.

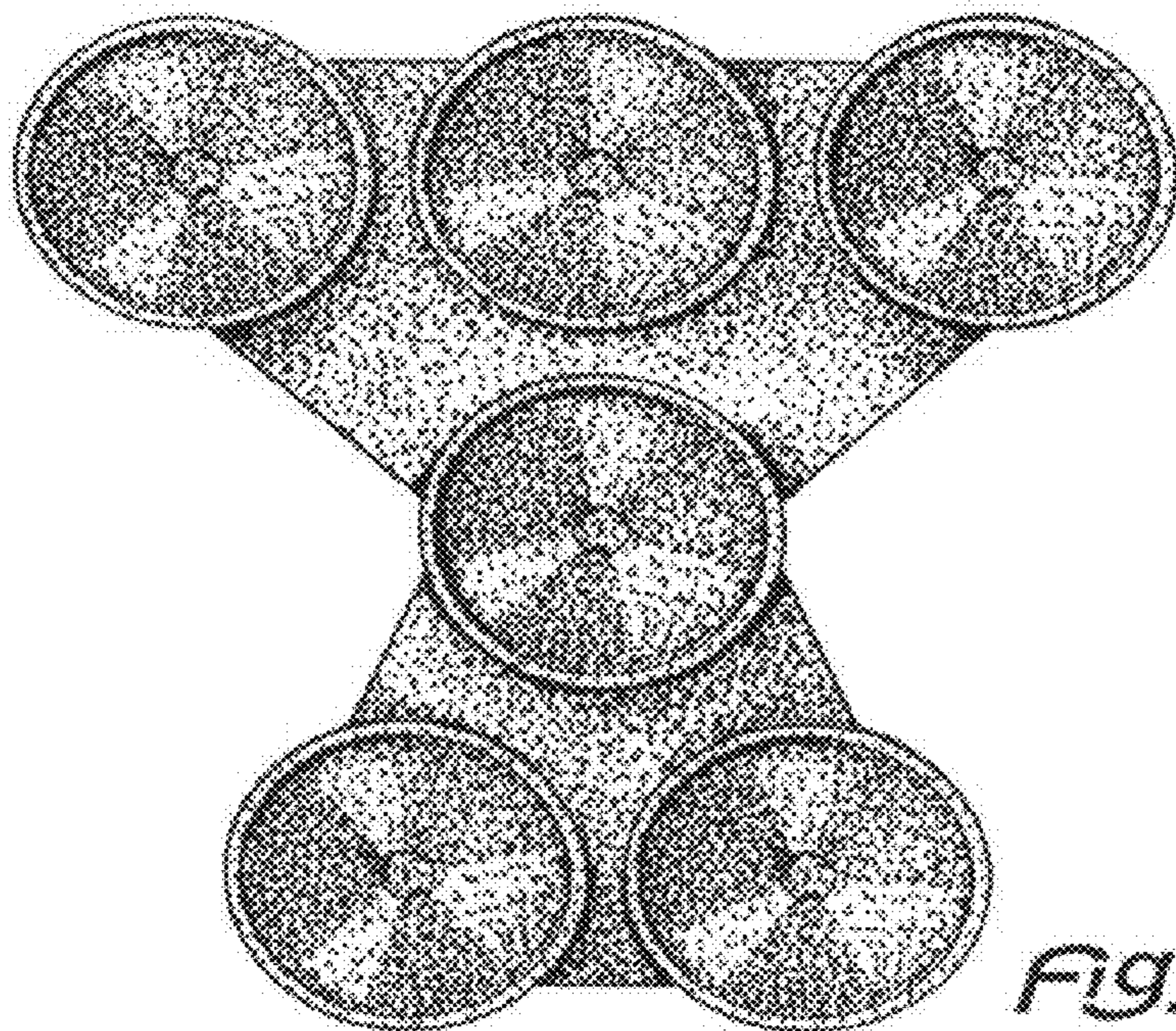


FIG. 3.

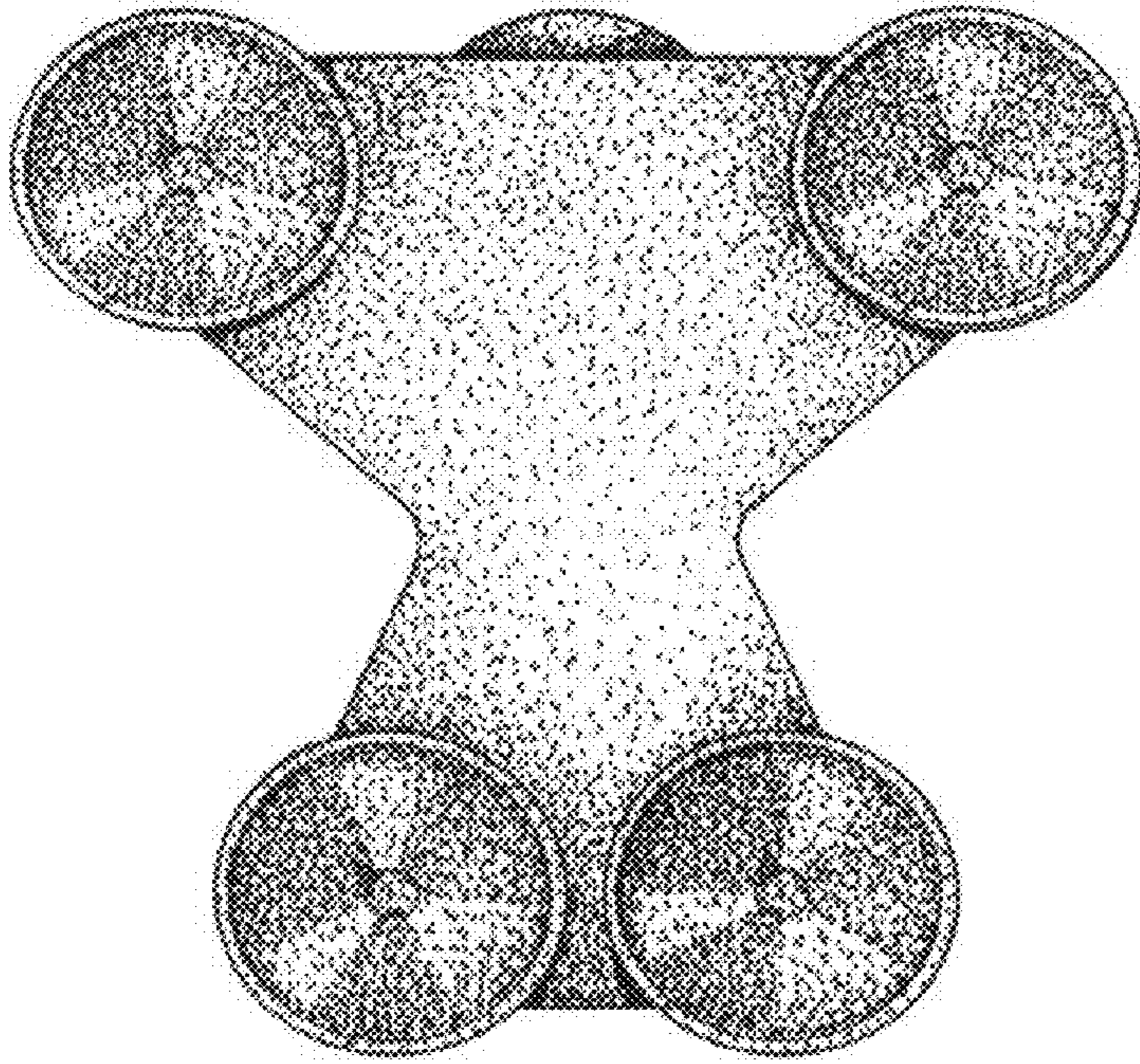


FIG. 4.

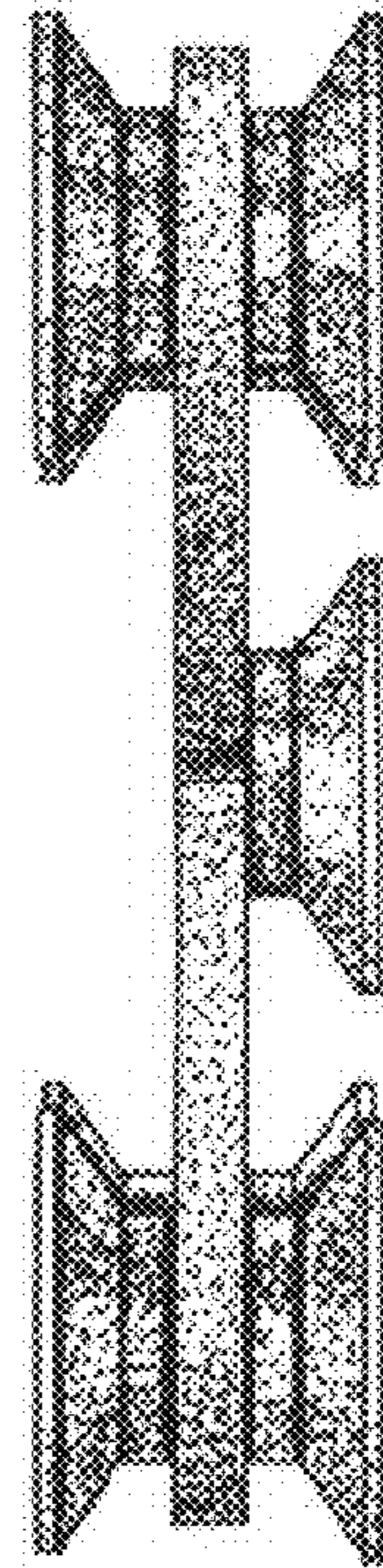


FIG. 5.

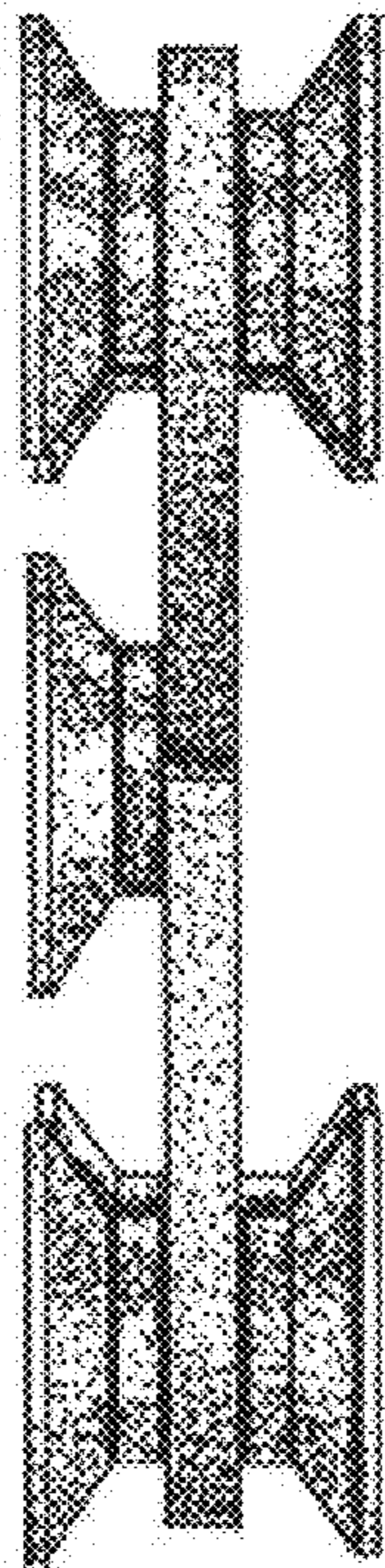


FIG. 6.

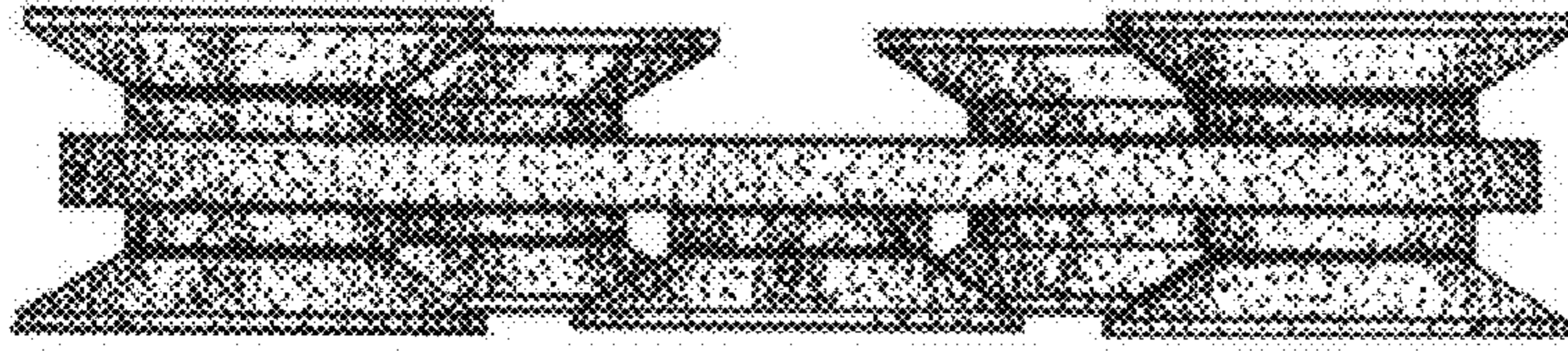


FIG. 7.

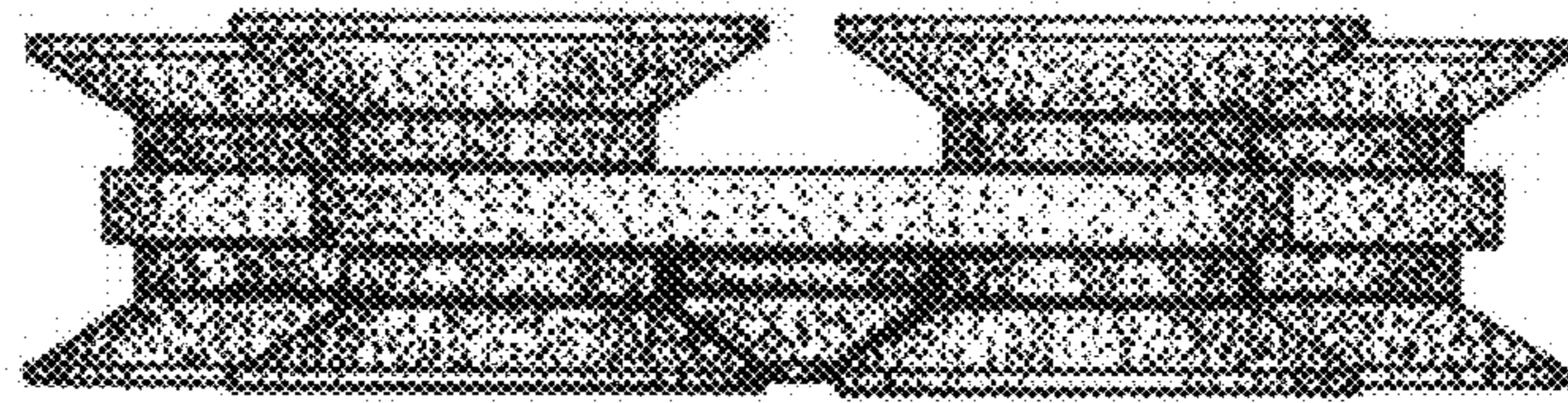


FIG. 8.

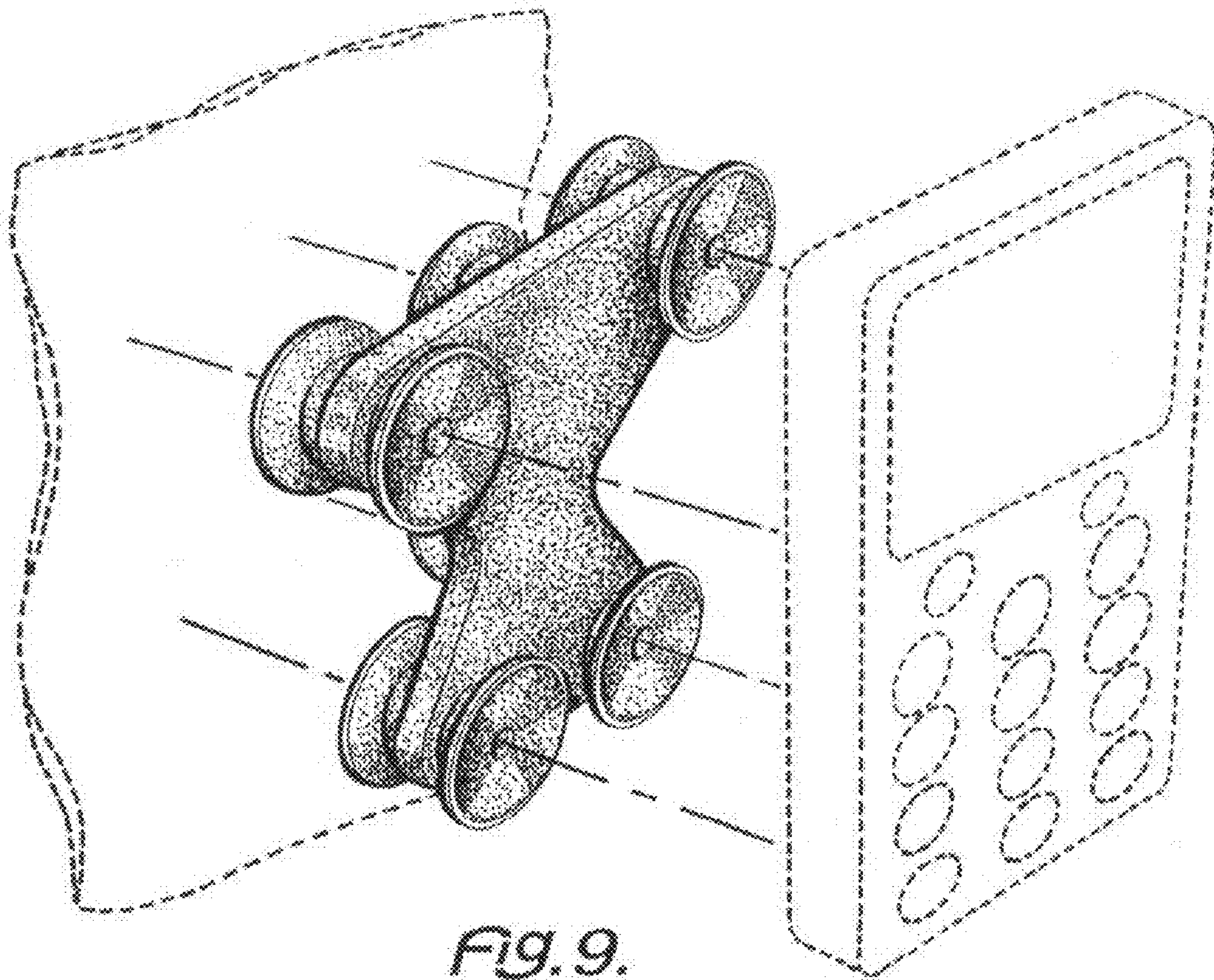
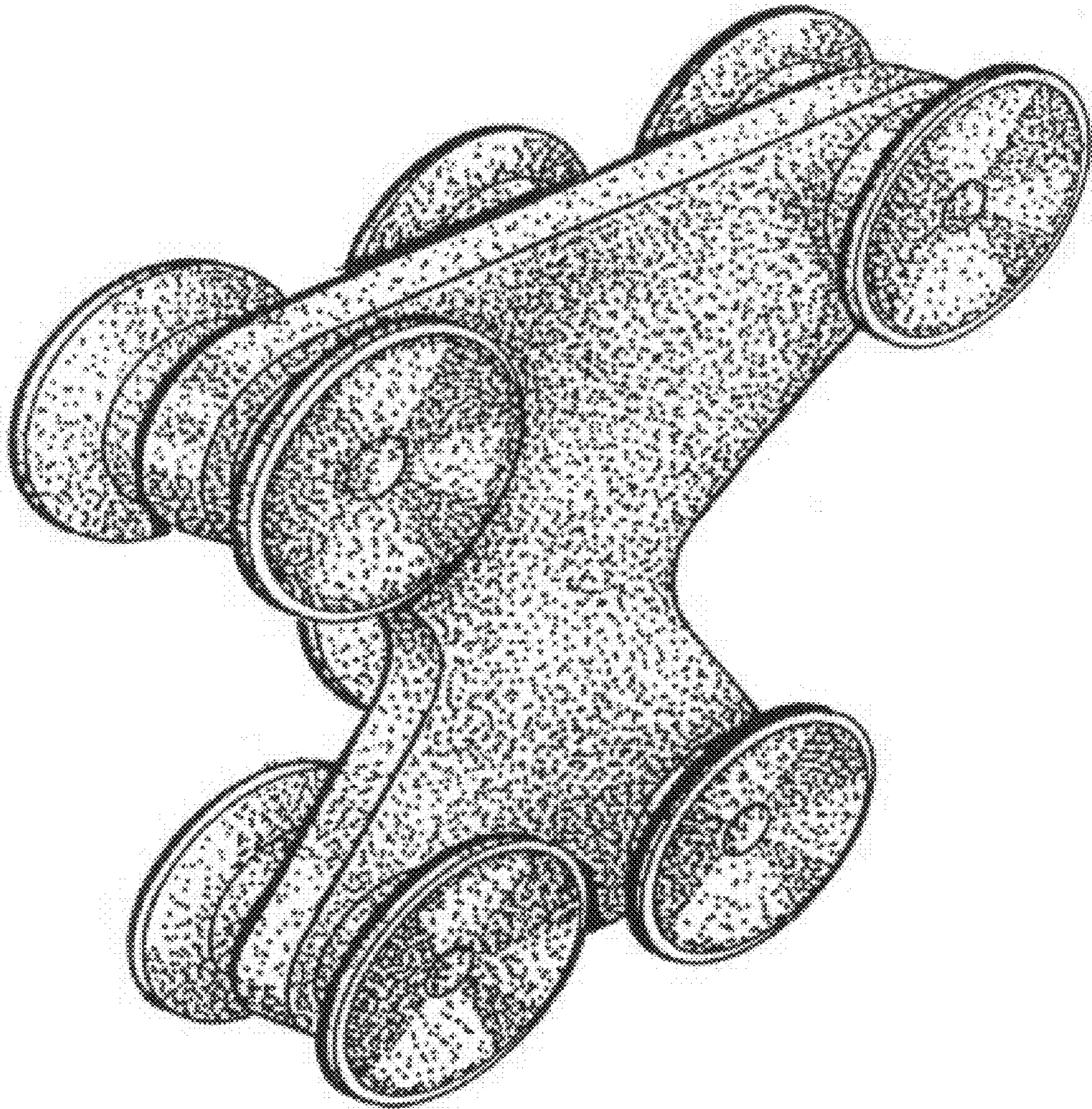


FIG. 9.



*FIG. 10.*