

US00D605185S

(12) **United States Design Patent**
Russell et al.

(10) **Patent No.:** **US D605,185 S**
(45) **Date of Patent:** **** Dec. 1, 2009**

(54) **PIVOTING ARM ASSEMBLY FOR AN ELECTRONIC DISPLAY**

D331,921 S 12/1992 Gutke et al.
D332,562 S 1/1993 Fremont et al.
D345,905 S 4/1994 Hallgren
D347,841 S 6/1994 Rossman et al.

(75) Inventors: **Scott Russell**, Woodbury, MN (US);
Nick Stanek, Roseville, MN (US)

(Continued)

(73) Assignee: **Milestone AV Technologies, LLC**,
Savage, MN (US)

OTHER PUBLICATIONS

(**) Term: **14 Years**

U.S. Appl. No. 29/299,828, filed Jan. 4, 2008, Russell et al.

(21) Appl. No.: **29/320,663**

(Continued)

(22) Filed: **Jul. 1, 2008**

Primary Examiner—Raphael Barkai
Assistant Examiner—Randall H Gholson
(74) *Attorney, Agent, or Firm*—Patterson, Thunte, Skaar & Christensen PA

Related U.S. Application Data

(63) Continuation-in-part of application No. 29/299,828, filed on Jan. 4, 2008, and a continuation-in-part of application No. 29/299,829, filed on Jan. 4, 2008.

(57) **CLAIM**

The ornamental design for a pivoting arm assembly for an electronic display, as shown and described.

(51) **LOC (9) Cl.** **14-03**

(52) **U.S. Cl.** **D14/239**

(58) **Field of Classification Search** D14/125–134,
D14/239, 371, 136, 374–377; D8/363, 373,
D8/349, 394; 248/465, 917–924, 123.11;
348/825, 827, 836, 837, 838, 180, 184, 325,
348/739; 600/443; D6/477–479, 407, 474,
D6/460, 461, 468; 312/7.2; 341/12; 345/87,
345/104, 133, 156, 168, 169, 173; 720/605,
720/669, 600, 655; 369/99, 197; 455/344–347;
349/1, 2, 11, 62; 108/59, 91, 92, 96; 211/40,
211/41.12, 42, 49.1, 50, 85.2, 90.04, 187,
211/190, 119.003, 134.15, 3, 87.01, 71.01
See application file for complete search history.

DESCRIPTION

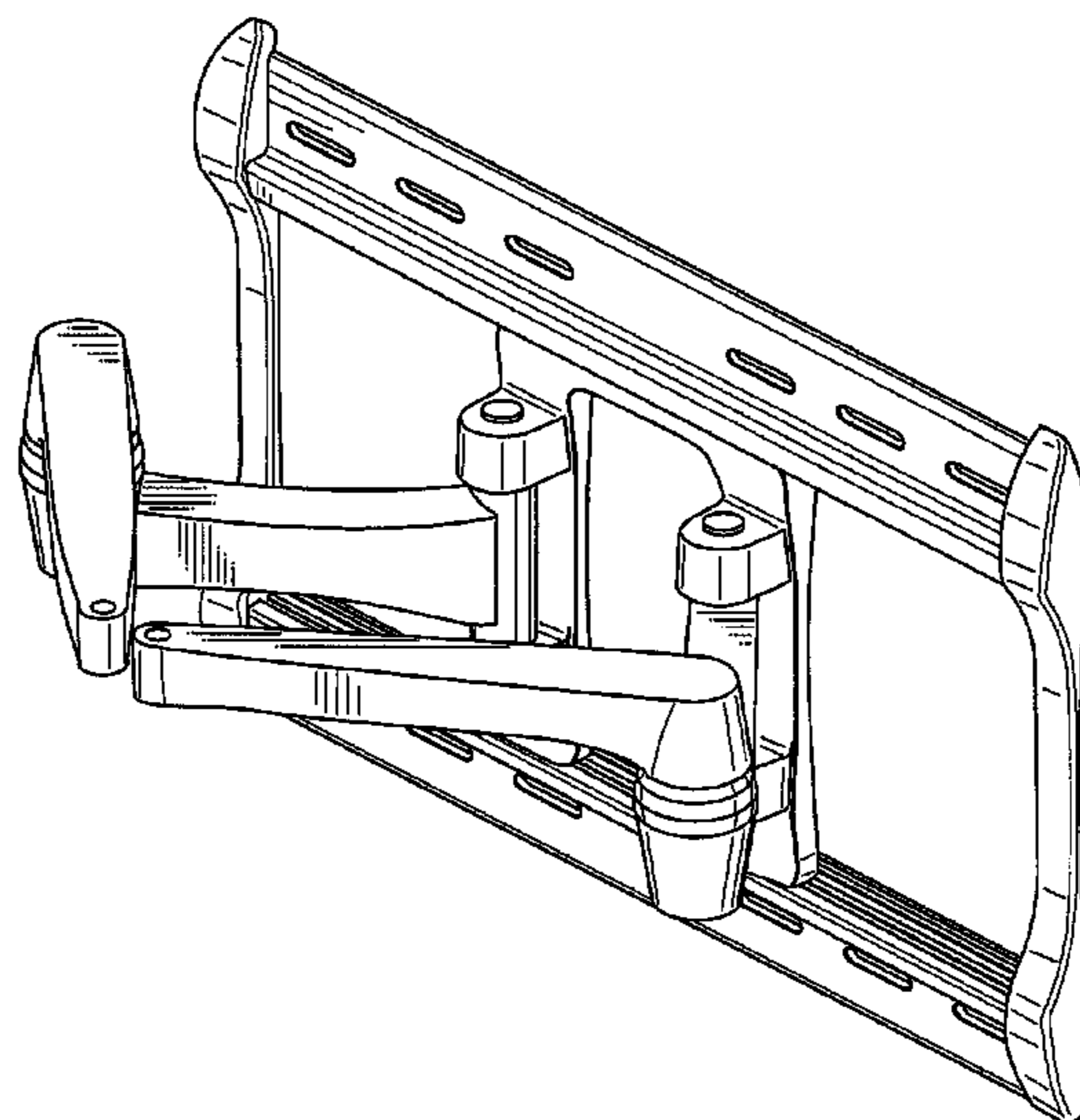
FIG. 1 is a front perspective view of a pivoting arm assembly for an electronic display according to the invention;
FIG. 2 is a front elevation view of the pivoting arm assembly for an electronic display depicted in FIG. 1;
FIG. 3 is a rear elevation view of the pivoting arm assembly for an electronic display depicted in FIG. 1;
FIG. 4 is a top plan view of the pivoting arm assembly for an electronic display depicted in FIG. 1;
FIG. 5 is a bottom plan view of the pivoting arm assembly for an electronic display depicted in FIG. 1;
FIG. 6 is a side elevation view of the pivoting arm assembly for an electronic display depicted in FIG. 1; and,
FIG. 7 is an opposing side elevation view of the pivoting arm assembly for an electronic display depicted in FIG. 1.

(56) **References Cited**

U.S. PATENT DOCUMENTS

2,896,893 A 7/1959 Oliver
D269,945 S 8/1983 Carney
4,863,133 A 9/1989 Bonnell

1 Claim, 4 Drawing Sheets



US D605,185 S

Page 2

U.S. PATENT DOCUMENTS

D367,421 S 2/1996 Powers
D389,334 S 1/1998 Attridge
D435,852 S * 1/2001 Oddsen, Jr. D14/452
D436,486 S 1/2001 Janis
6,409,134 B1 6/2002 Oddsen, Jr.
6,695,270 B1 2/2004 Smed
D495,714 S 9/2004 Pfister
D496,367 S 9/2004 Pfister
6,857,610 B1 2/2005 Conner et al.
6,875,743 B1 4/2005 Lin et al.
D507,477 S 7/2005 Pfister
D507,719 S * 7/2005 Spagnolo D7/361
6,935,883 B2 * 8/2005 Oddsen, Jr. 439/374
6,962,314 B2 11/2005 Hsu
7,028,961 B1 4/2006 Dittmer et al.
D520,017 S 5/2006 van Kuijk et al.
D521,850 S 5/2006 Richter et al.
D529,033 S * 9/2006 Hung D14/452
D556,205 S 11/2007 Wohlford et al.
D558,561 S * 1/2008 Ciungan D8/363

D559,662 S * 1/2008 Sculler et al. D8/380
D562,812 S * 2/2008 Sculler et al. D14/239
7,380,760 B2 * 6/2008 Dittmer 248/278.1
7,395,996 B2 * 7/2008 Dittmer 248/291.1
D580,421 S * 11/2008 Sculler et al. D14/239
7,448,584 B2 * 11/2008 Chen et al. 248/278.1
7,487,943 B1 * 2/2009 Gillespie 248/282.1
2004/0159757 A1 8/2004 Pfister
2006/0022102 A1 2/2006 Dittmer

OTHER PUBLICATIONS

U.S. Appl. No. 29/299,829, filed Jan. 4, 2008, Russell et al.
U.S. Appl. No. 60/950,244, filed Jul. 17, 2007, Pfister et al.
U.S. Appl. No. 29/297,406, filed Nov. 9, 2007, Bures et al.
U.S. Appl. No. 61/019,112, filed Jan. 4, 2008, Russell et al.
Chief Full-Line Product Guide, effective Jan. 2003, 80 Pgs.
Chief Product Catalog, 2004, 64 Pgs.
Sanus VisionMount, Product Catalog, Mar. 2007, 34 Pgs.
Chief Full-Line Catalog, Jun. 2006, 61 Pgs.

* cited by examiner

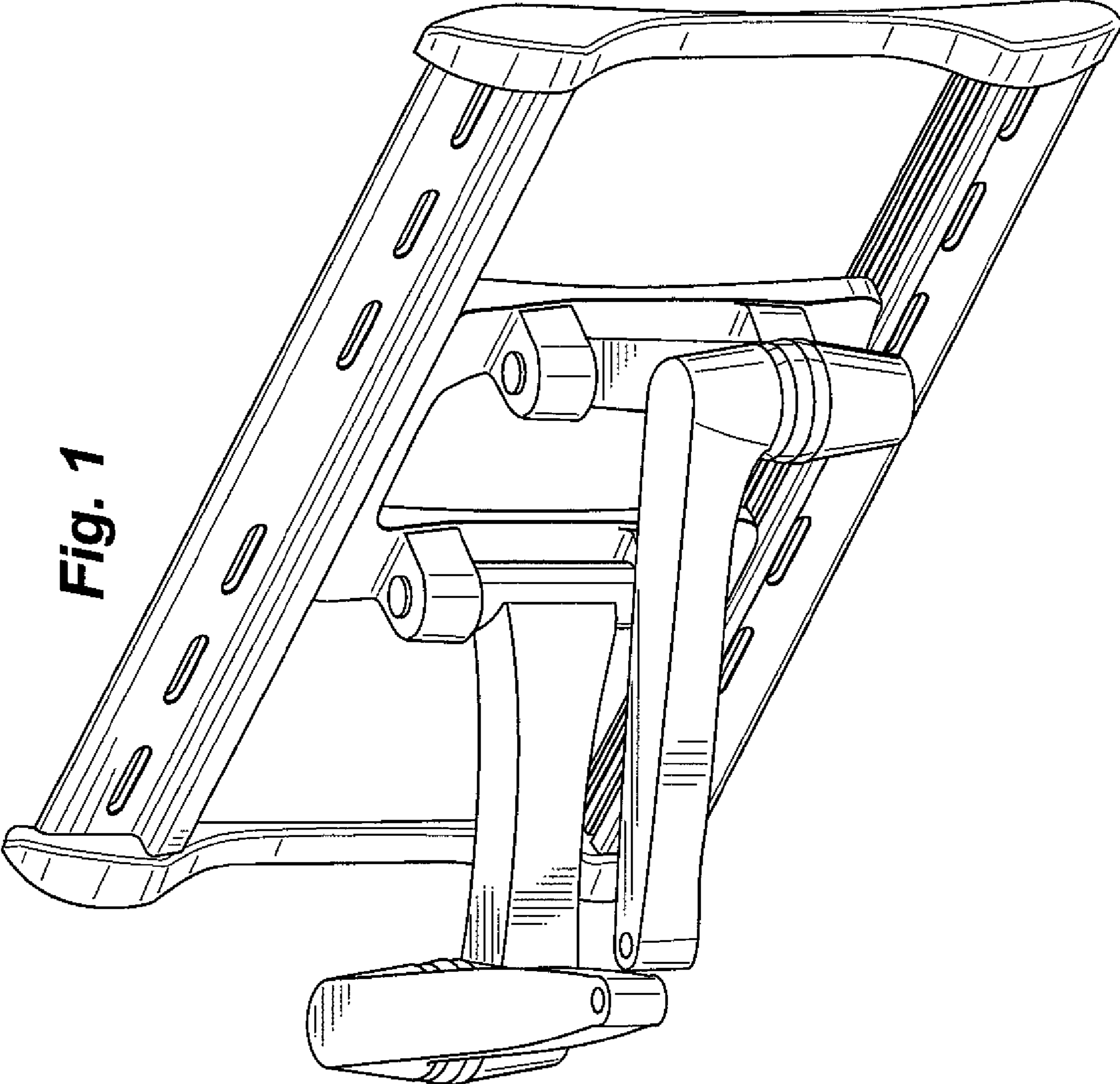


Fig. 1

Fig. 2

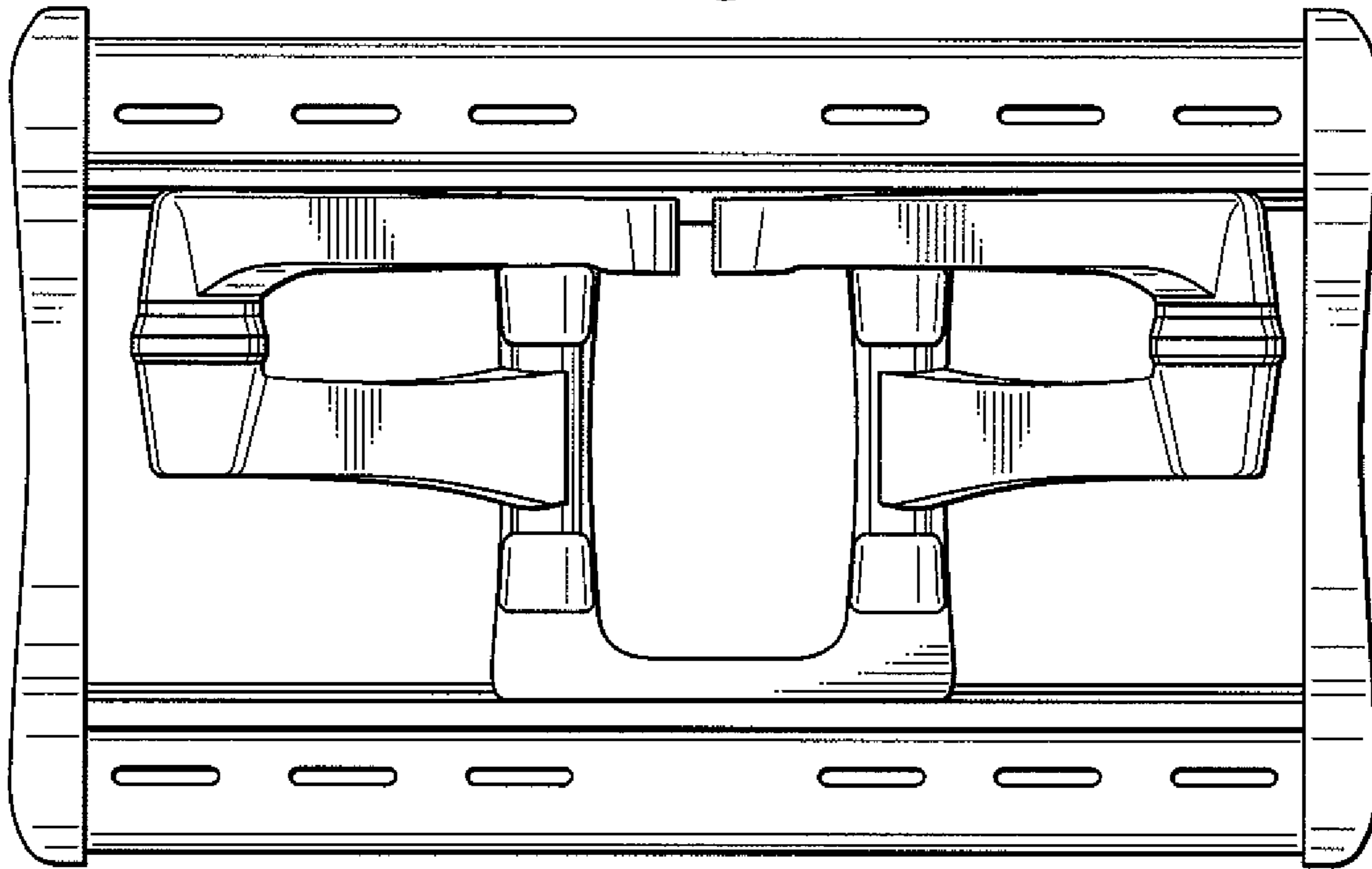


Fig. 3

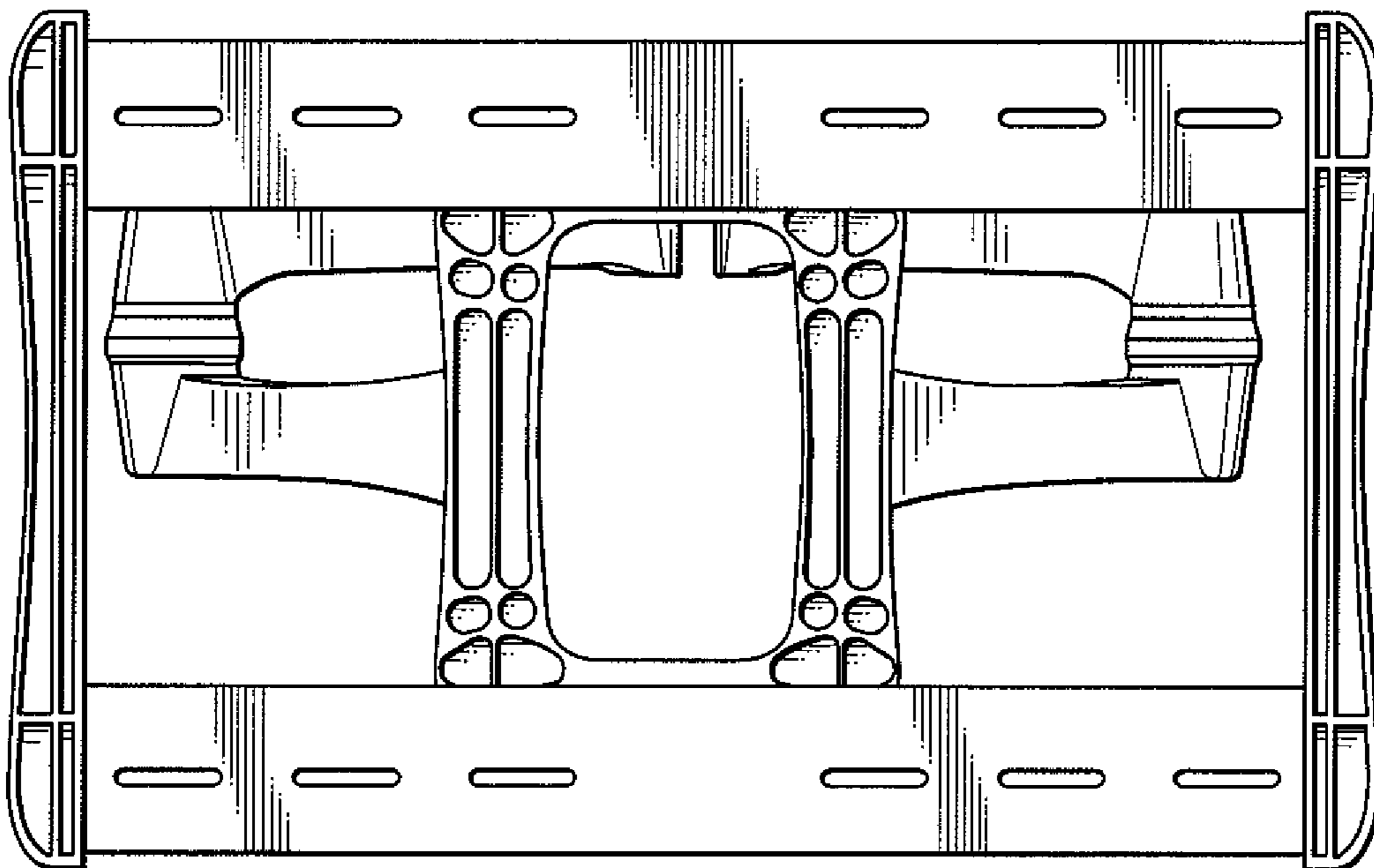


Fig. 4

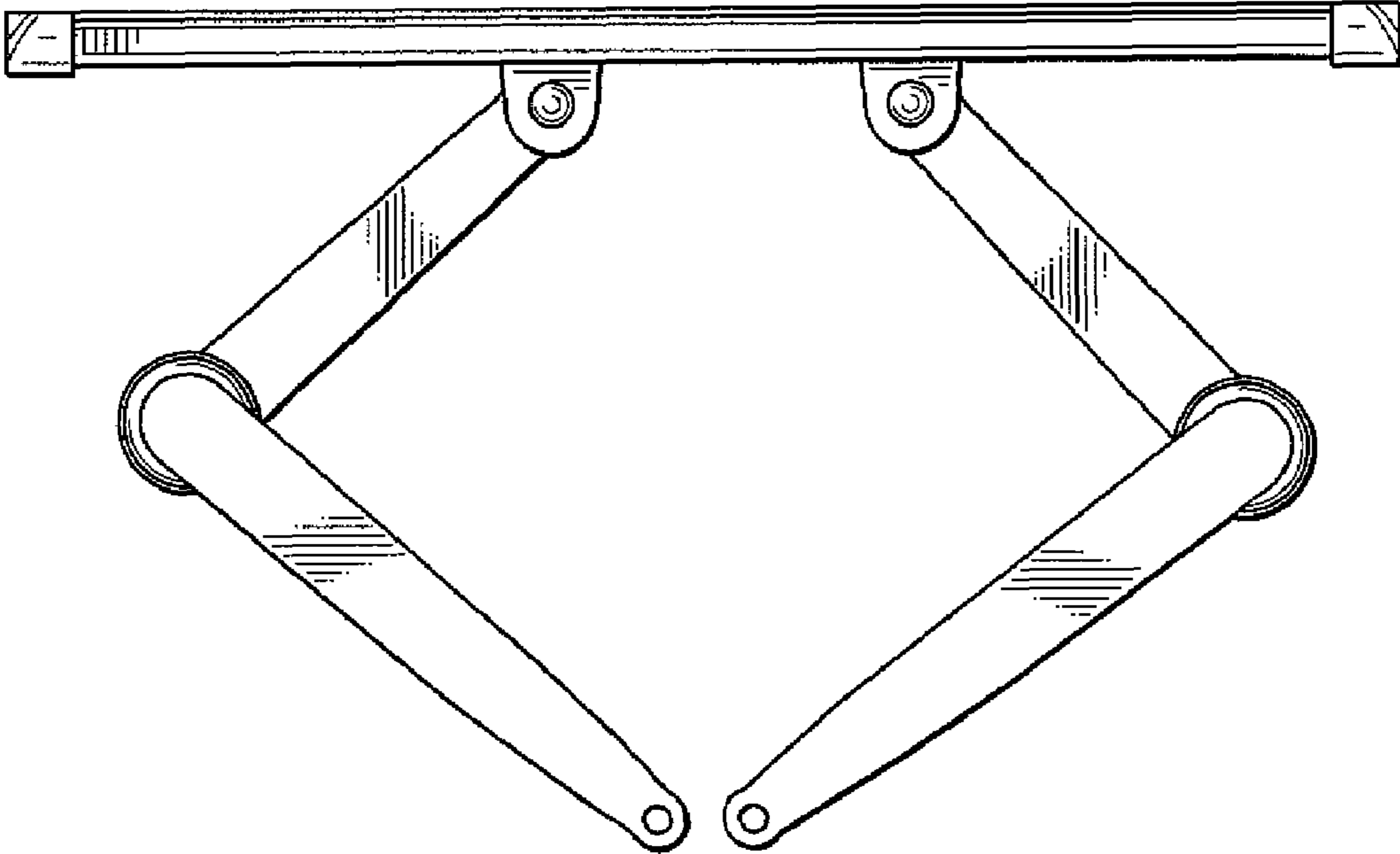


Fig. 5

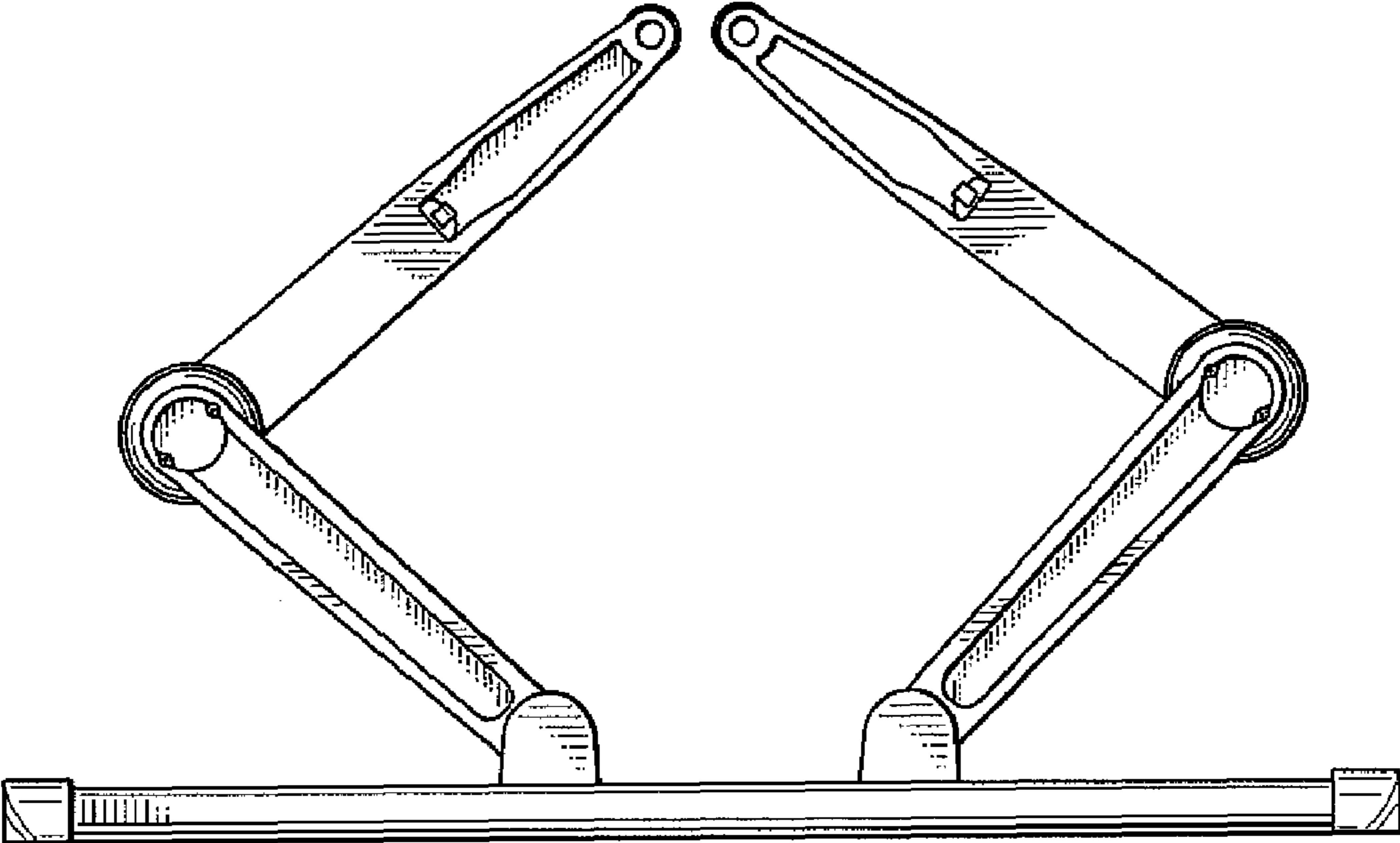


Fig. 6

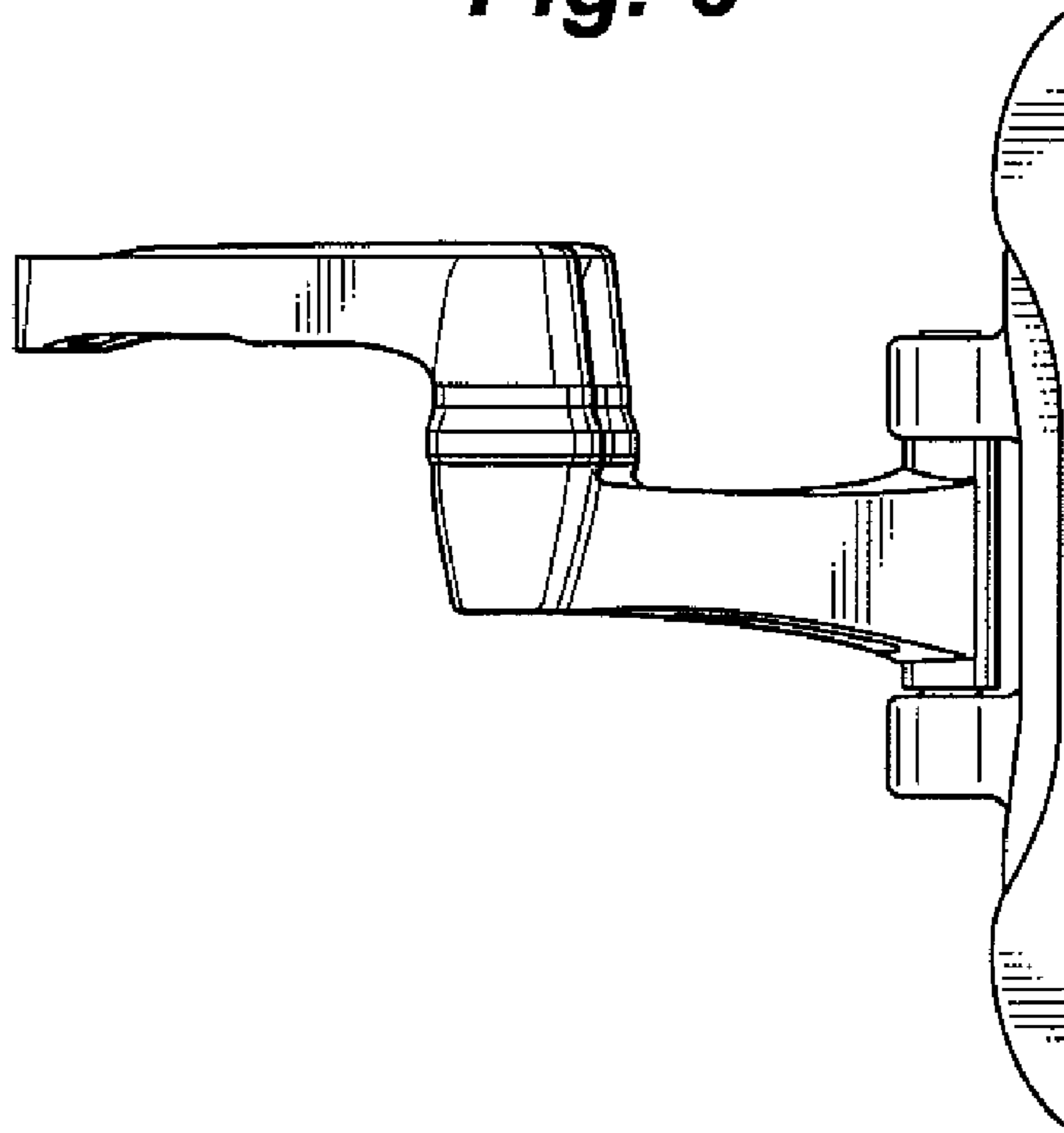


Fig. 7

