



US00D605184S

(12) **United States Design Patent**
Merical et al.

(10) **Patent No.:** **US D605,184 S**

(45) **Date of Patent:** **** Dec. 1, 2009**

(54) **ANTENNA HUB PLATE**

(75) Inventors: **Edward L. Merical**, Canal Fulton, OH (US); **Christopher R. Cummings**, Newton Falls, OH (US)

(73) Assignee: **PDS Electronics, Inc.**, Tallmadge, OH (US)

(**) Term: **14 Years**

(21) Appl. No.: **29/314,199**

(22) Filed: **Mar. 13, 2009**

(51) **LOC (9) Cl.** **14-03**

(52) **U.S. Cl.** **D14/238**

(58) **Field of Classification Search** D14/230–238, D14/354, 299, 358; D6/495; D16/242; 343/700 R, 343/878–892, 912, 916; 455/561; D8/354
See application file for complete search history.

(56) **References Cited**

U.S. PATENT DOCUMENTS

2,902,821	A *	9/1959	Kelly, Jr.	59/80
4,007,436	A *	2/1977	McMahon	367/173
4,458,455	A *	7/1984	Tollstoff de Voss	52/38
D322,254	S *	12/1991	Su	D14/231
5,247,312	A *	9/1993	McClendon	343/840
5,395,086	A *	3/1995	Goldstein	248/346.5
D362,443	S *	9/1995	Inoue	D14/231
D422,174	S *	4/2000	Eklind	D7/388

7,084,834	B1 *	8/2006	Hopkins	343/878
7,142,168	B1 *	11/2006	Sinclair	343/882
D536,603	S *	2/2007	Worrall et al.	D8/363
2002/0105475	A1 *	8/2002	Overton et al.	343/878
2005/0057428	A1 *	3/2005	Fujita	343/882
2006/0164319	A1 *	7/2006	Brooker	343/882

OTHER PUBLICATIONS

Pictures from the website of Traffie Technology, Ashby, Massachusetts (5 pages—2008).

* cited by examiner

Primary Examiner—T. Chase Nelson

Assistant Examiner—John Windmuller

(74) *Attorney, Agent, or Firm*—Renner, Kenner, Greive, Bobak, Taylor & Weber

(57) **CLAIM**

The ornamental design for an antenna hub plate, as shown and described.

DESCRIPTION

FIG. 1 is a perspective view of an antenna hub plate showing our new design;

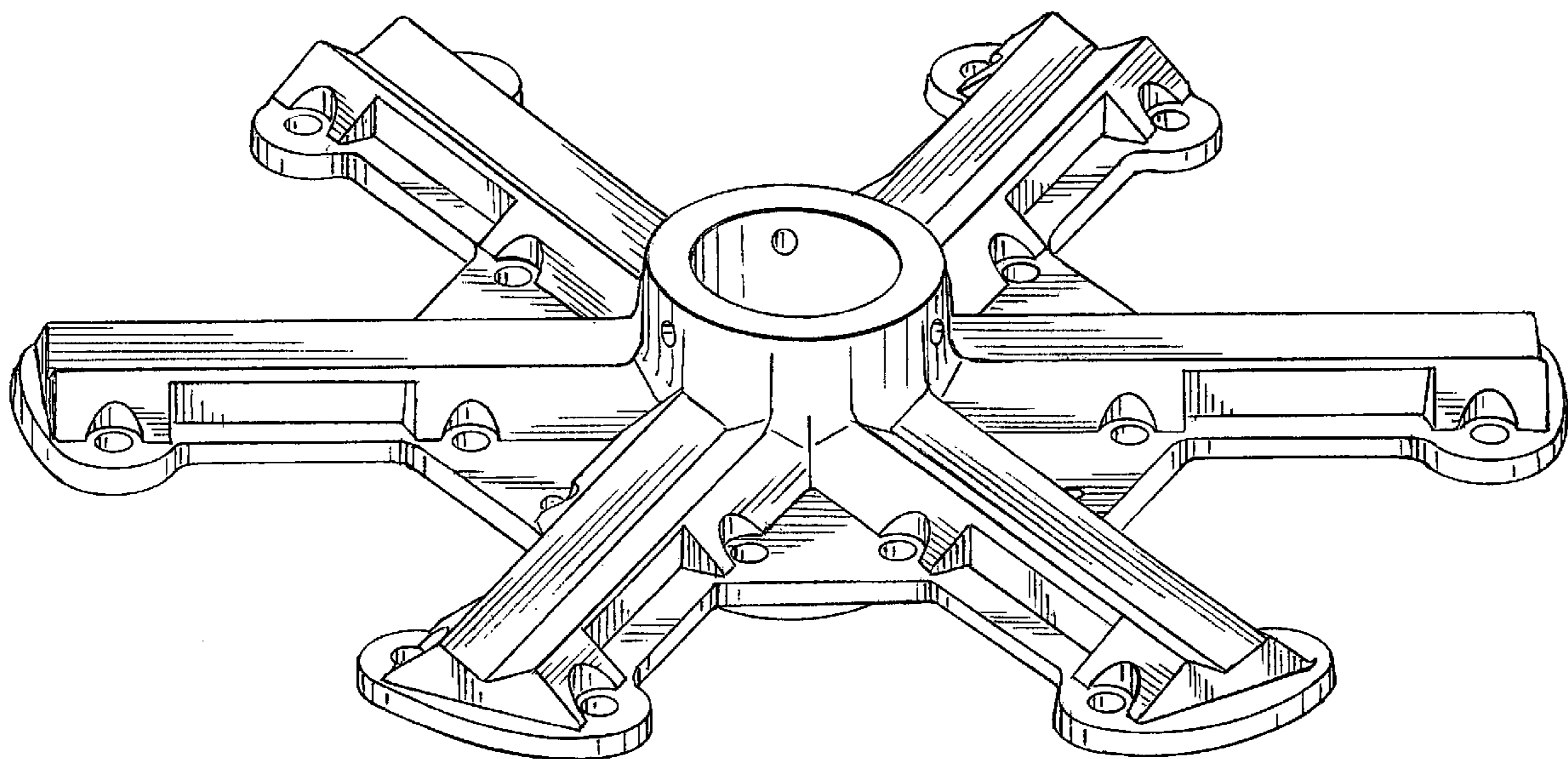
FIG. 2 is a top plan view thereof;

FIG. 3 is a bottom plan view thereof;

FIG. 4 is a side elevational view thereof; and,

FIG. 5 is another side elevational view thereof.

1 Claim, 3 Drawing Sheets



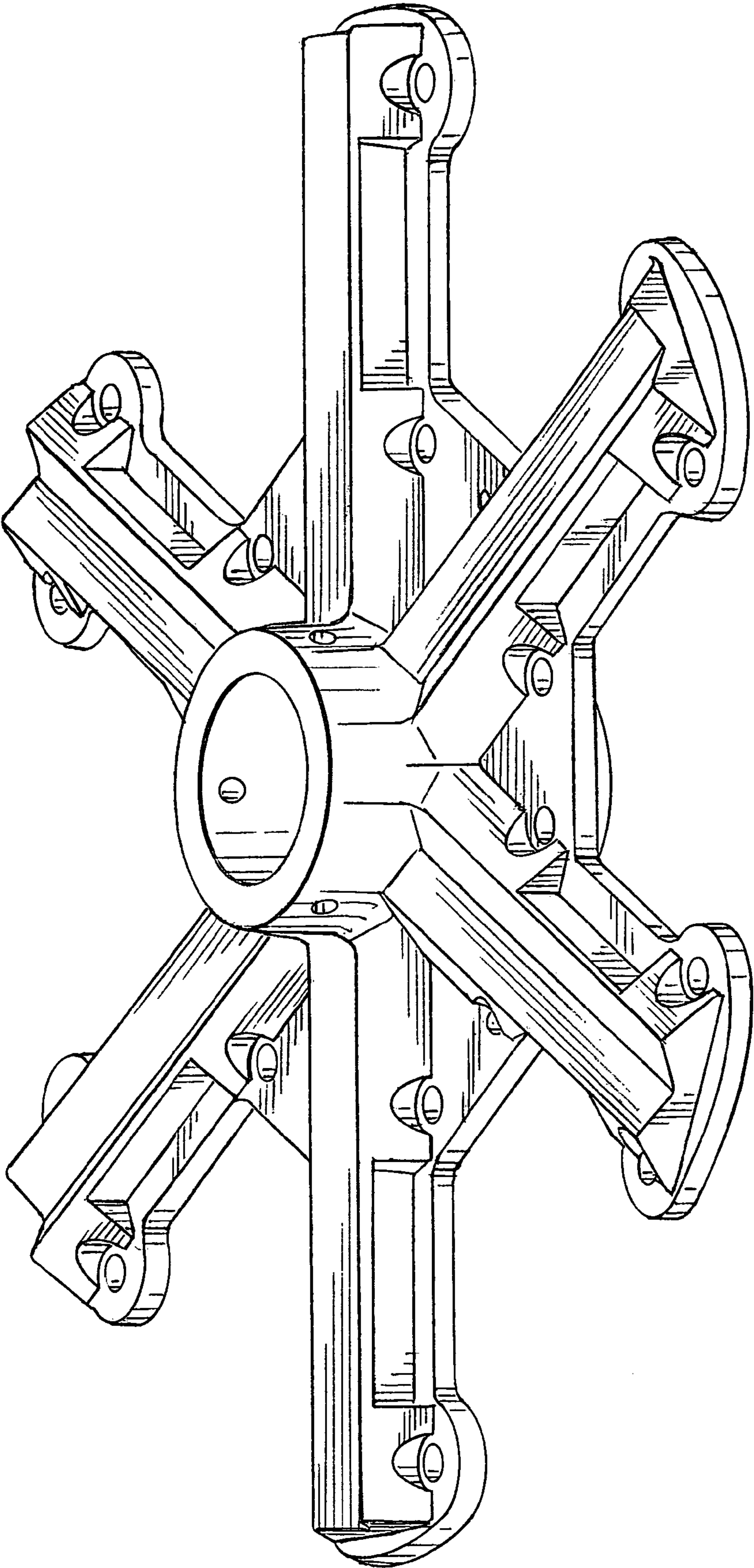


FIG. 1

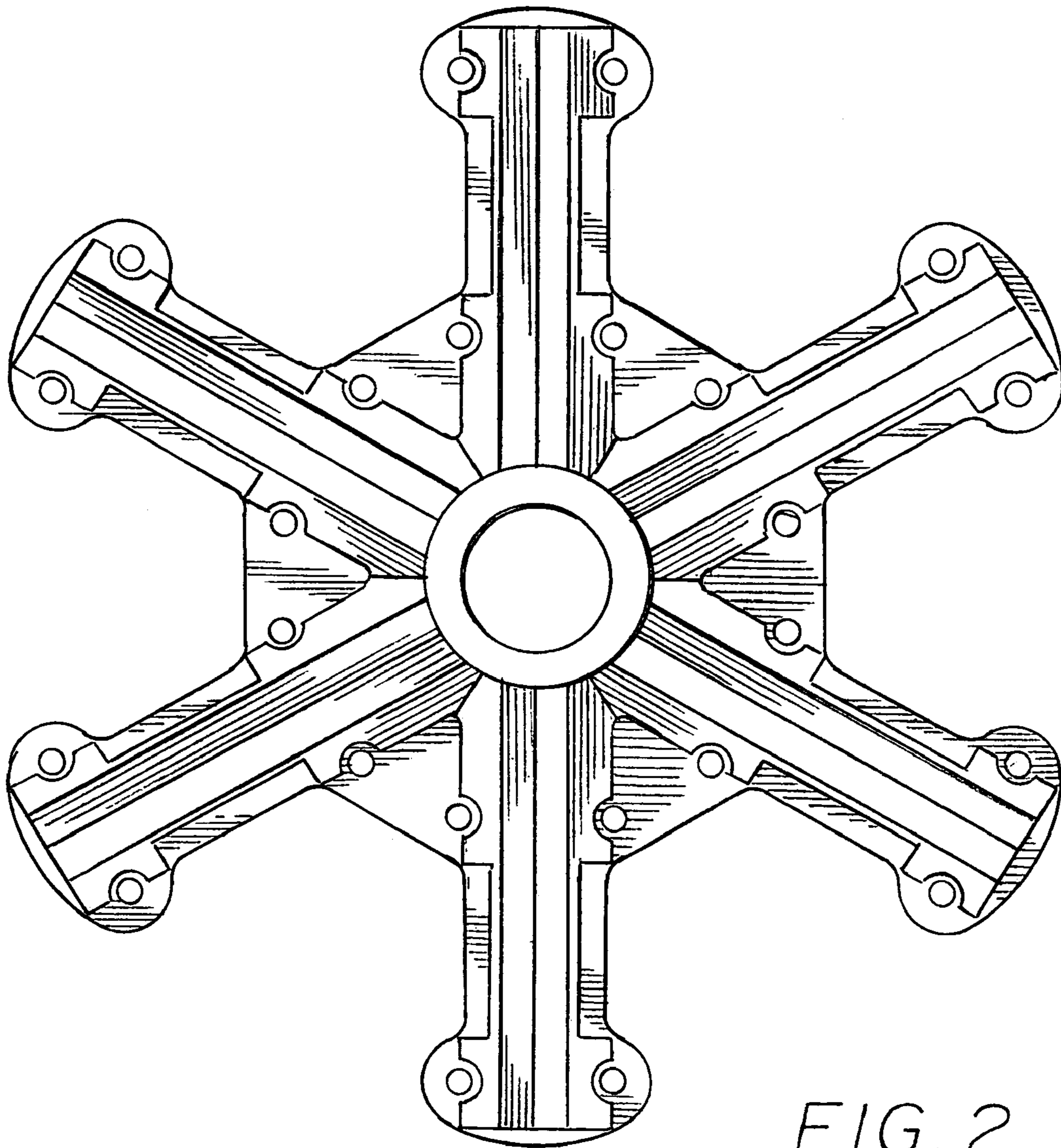


FIG. 2

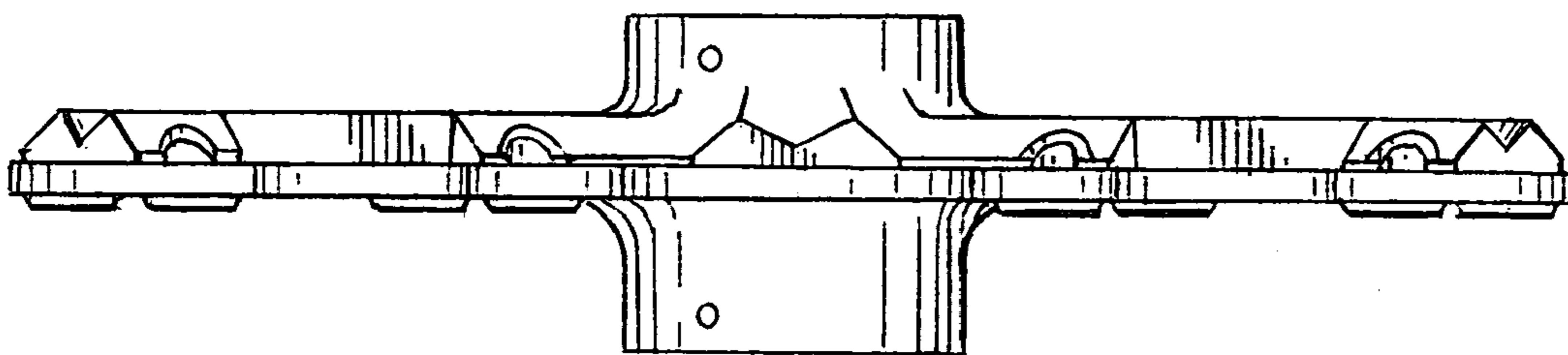


FIG. 4

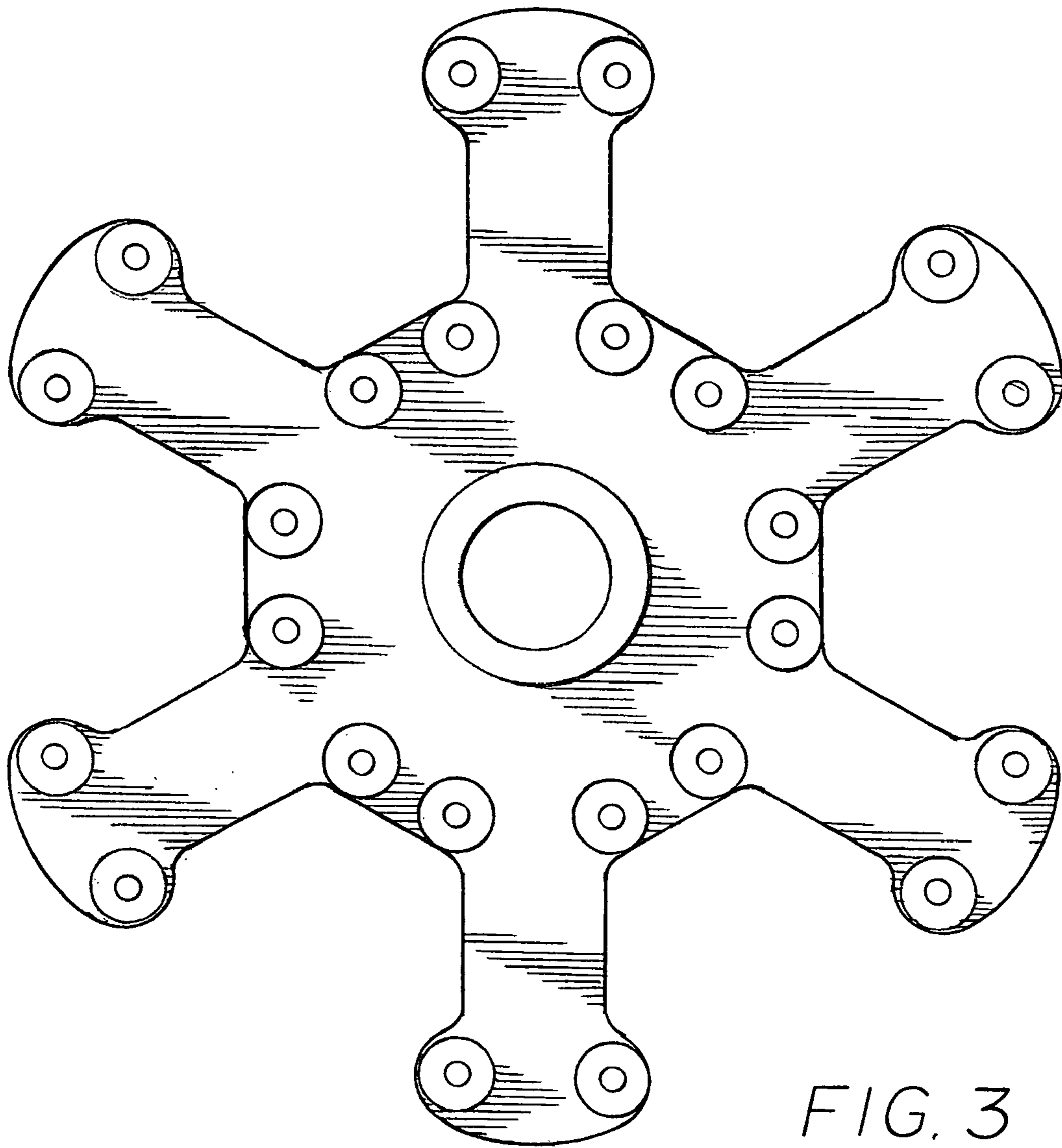


FIG. 3

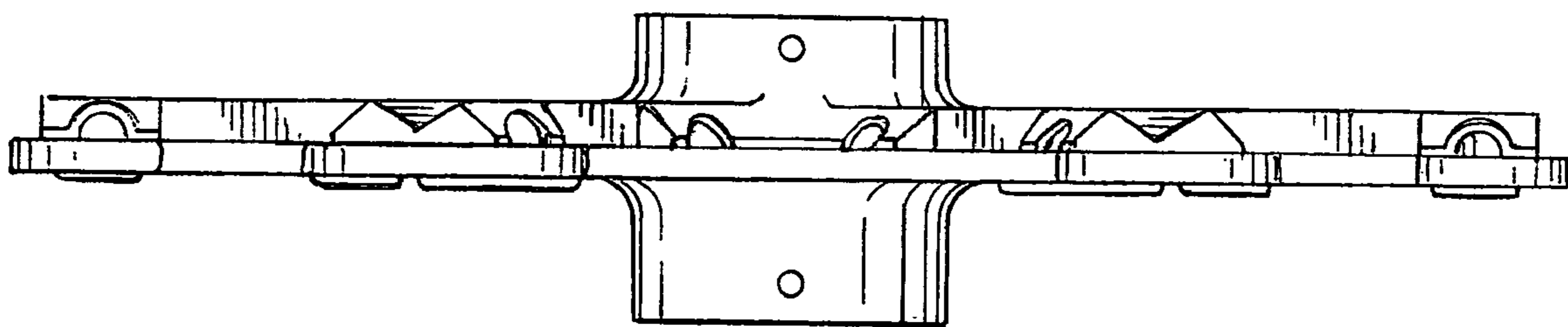


FIG. 5