



US00D605181S

(12) **United States Design Patent**
Koren et al.

(10) **Patent No.:** **US D605,181 S**
(45) **Date of Patent:** **** Dec. 1, 2009**

(54) **GRILLE FOR A SPEAKER HOUSING**

(57) **CLAIM**

(75) Inventors: **Daniel M. Koren**, Burnsville, MN (US);
Nicholas J. Sulzer, Savage, MN (US)

We claim the ornamental design for a grille for a speaker housing, as shown and described.

(73) Assignee: **Robert Bosch GmbH**, Stuttgart (DE)

DESCRIPTION

(**) Term: **14 Years**

(21) Appl. No.: **29/301,612**

(22) Filed: **Mar. 10, 2008**

(51) **LOC (9) Cl.** **14-01**

(52) **U.S. Cl.** **D14/219**

(58) **Field of Classification Search** D14/204,
D14/210–216, 219–220, 172; 181/143–144,
181/147–148, 150–153, 157, 198–199; 381/300–303,
381/306, 332–333, 336, 345, 361–364, 386–388;
D25/123, 125; D5/1–3, 99; 52/222, 404.1,
52/474, 169.12

See application file for complete search history.

FIG. 1 is a front perspective view of one embodiment of a grille for a speaker housing showing our new design;

FIG. 2 is a rear perspective view thereof;

FIG. 3 is a front view thereof;

FIG. 4 is a rear view thereof;

FIG. 5 is a top view thereof;

FIG. 6 is a bottom view thereof;

FIG. 7 is a right side view thereof;

FIG. 8 is a left side view thereof;

FIG. 9 is a front perspective view thereof showing an environment in which the grille for a speaker housing is used;

FIG. 10 is a front view thereof showing an environment in which the grille for a speaker housing is used;

FIG. 11 is a front perspective view of another embodiment of a grille for a speaker housing showing our new design and showing an environment in which the grille for a speaker housing is used; and,

FIG. 12 is a left side perspective view thereof showing an environment in which the grille for a speaker housing is used.

The broken line elements in the drawings are shown solely to illustrate environments in which our new design is used, and form no part of the claimed design.

(56) **References Cited**

U.S. PATENT DOCUMENTS

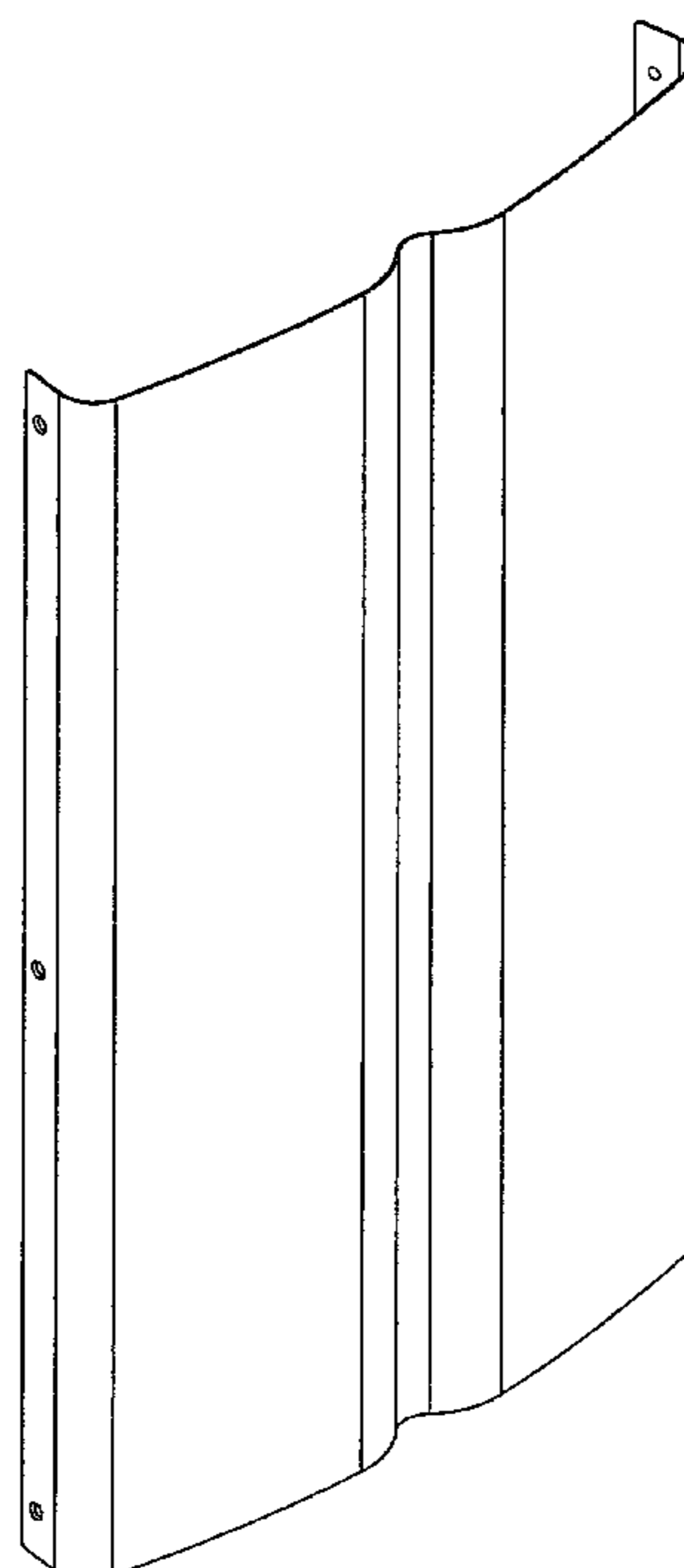
3,596,420	A *	8/1971	Ducker	52/169.12
D243,253	S *	2/1977	Ballantyne	D14/219
D249,965	S *	10/1978	Cooper	D25/125
D254,786	S *	4/1980	Ballantyne	D14/219
D256,621	S *	8/1980	Dillon	D25/123
D404,504	S *	1/1999	Dickey	D25/125
D527,372	S *	8/2006	Allen	D14/214

* cited by examiner

Primary Examiner—Nanda Bondade

(74) *Attorney, Agent, or Firm*—Sarah L. Taylor

1 Claim, 12 Drawing Sheets



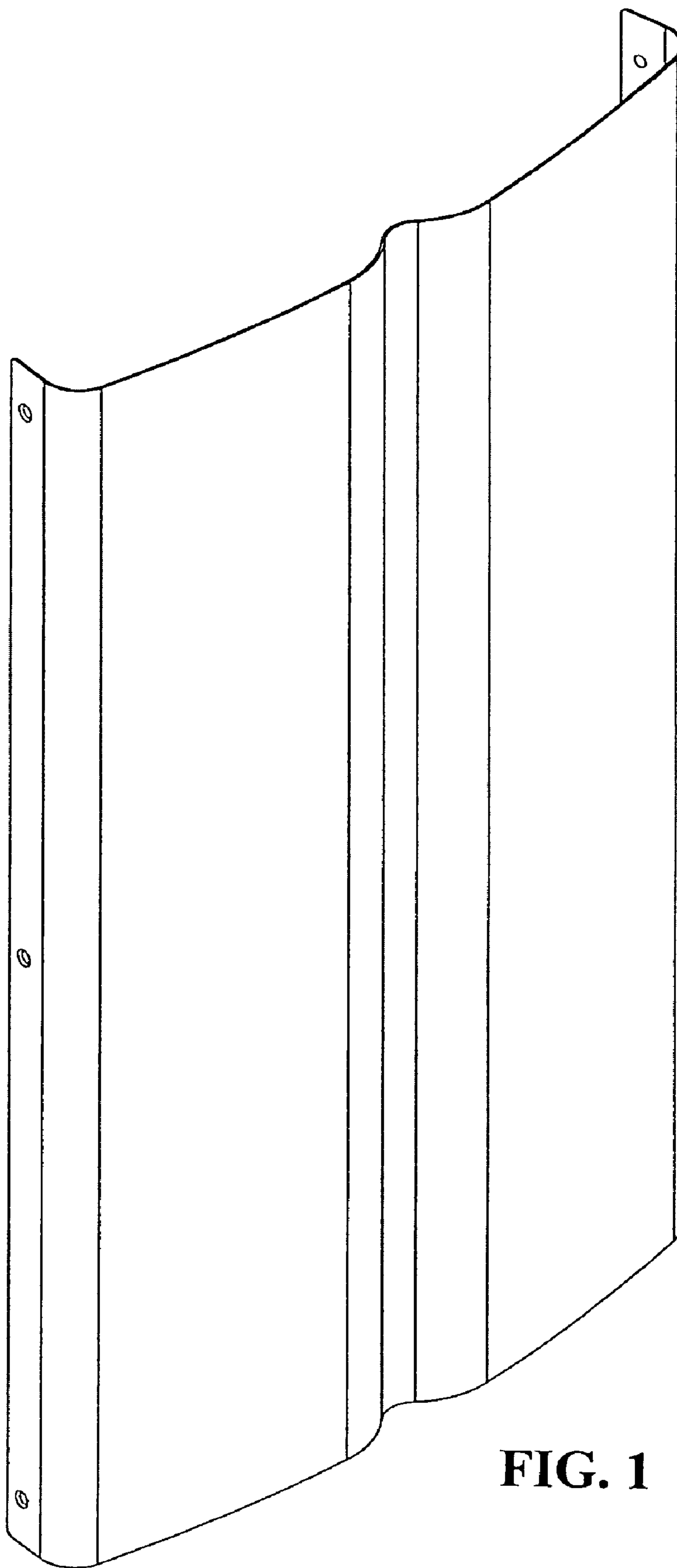


FIG. 1

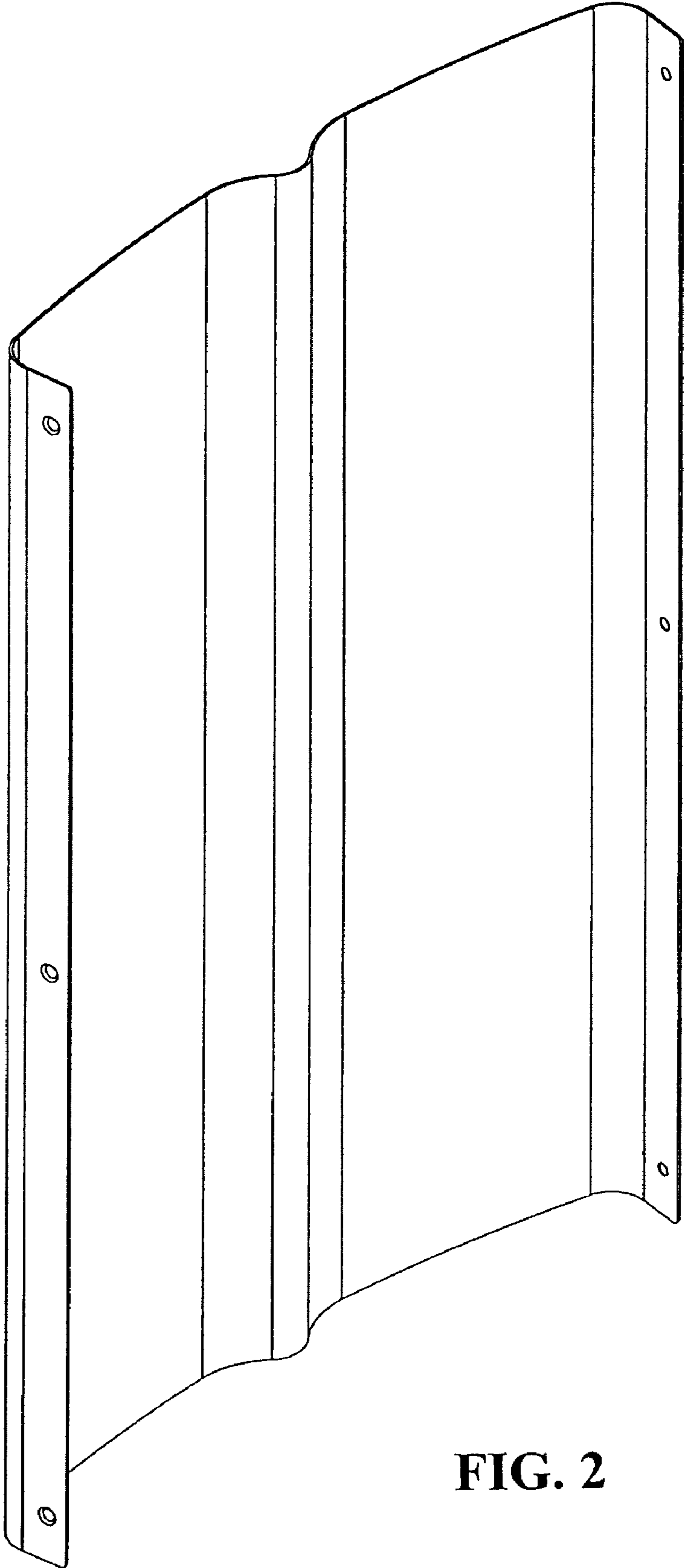


FIG. 2

FIG. 3

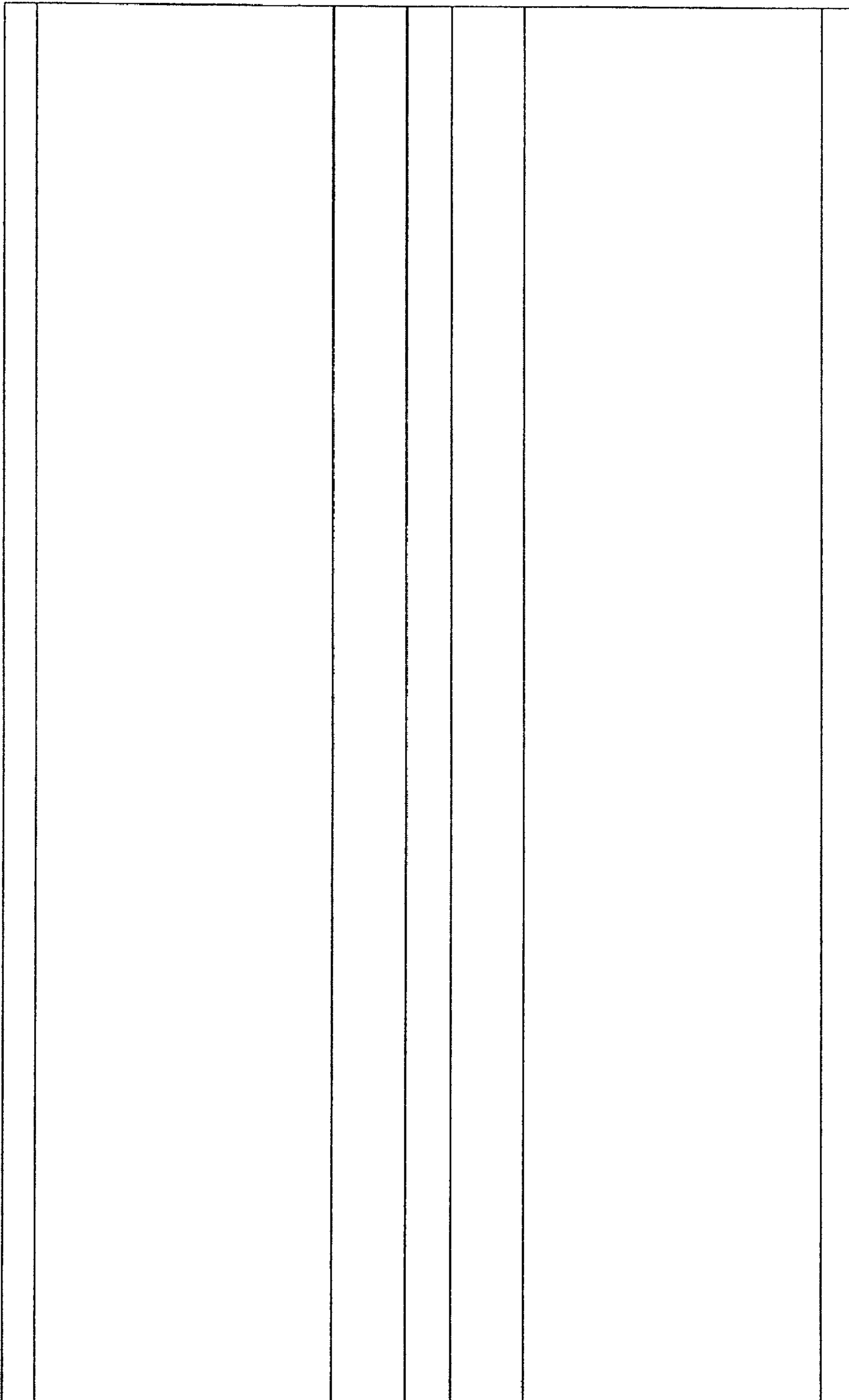


FIG. 4

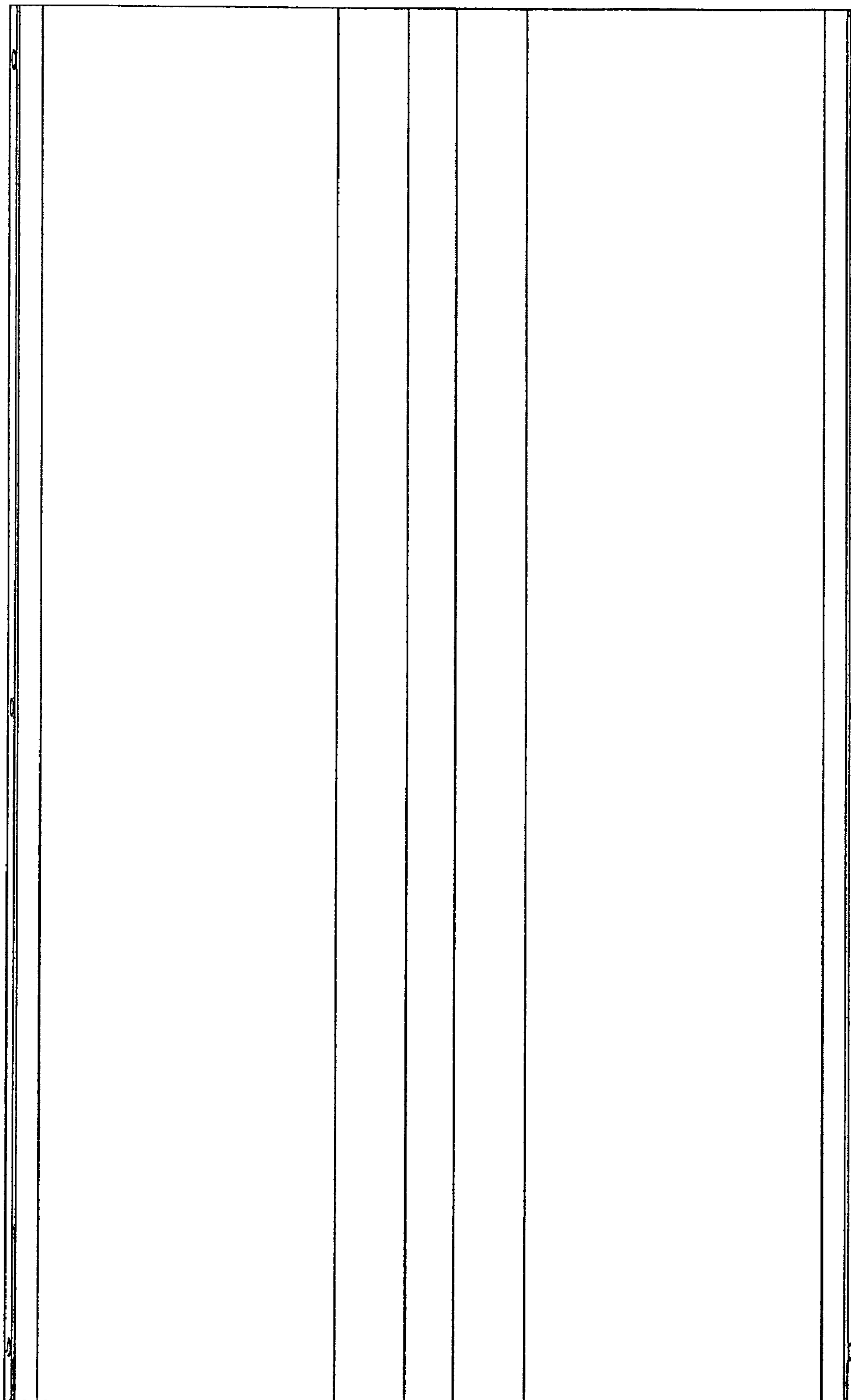


FIG. 5

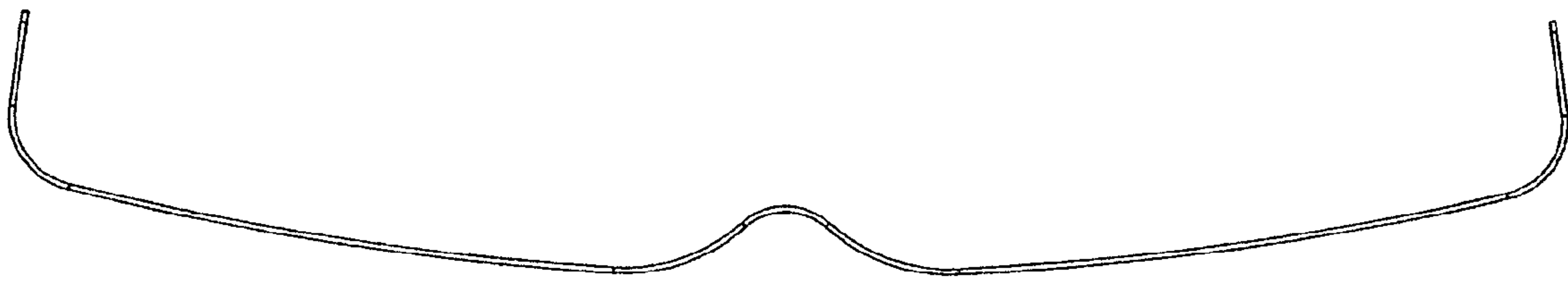
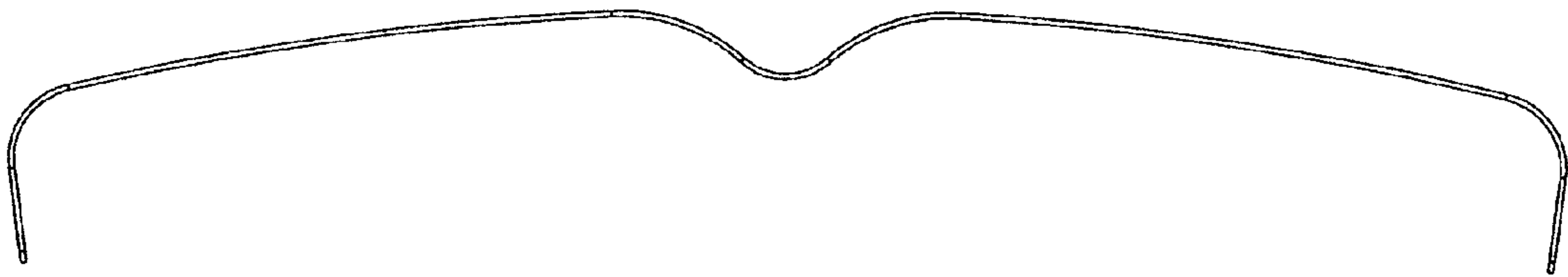


FIG. 6



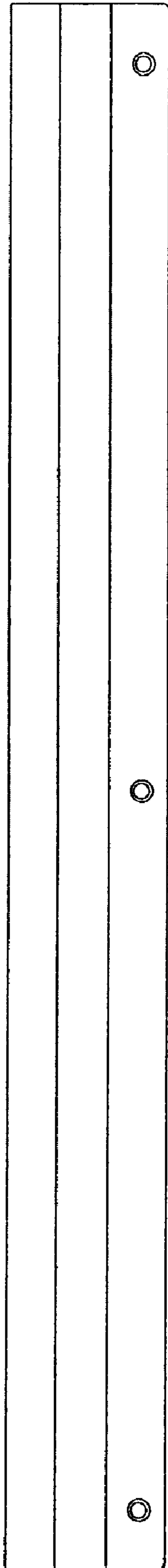


FIG. 7

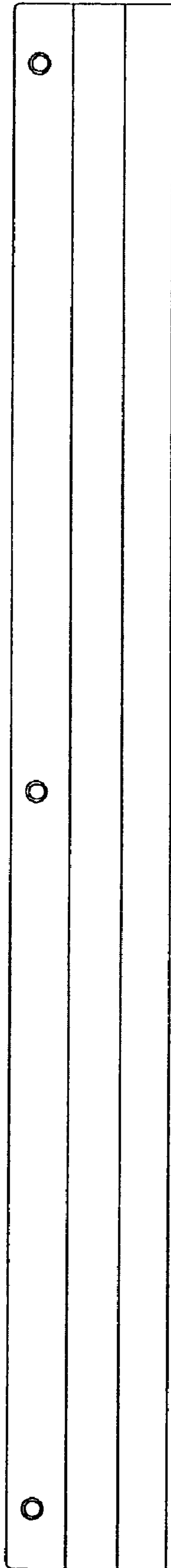


FIG. 8

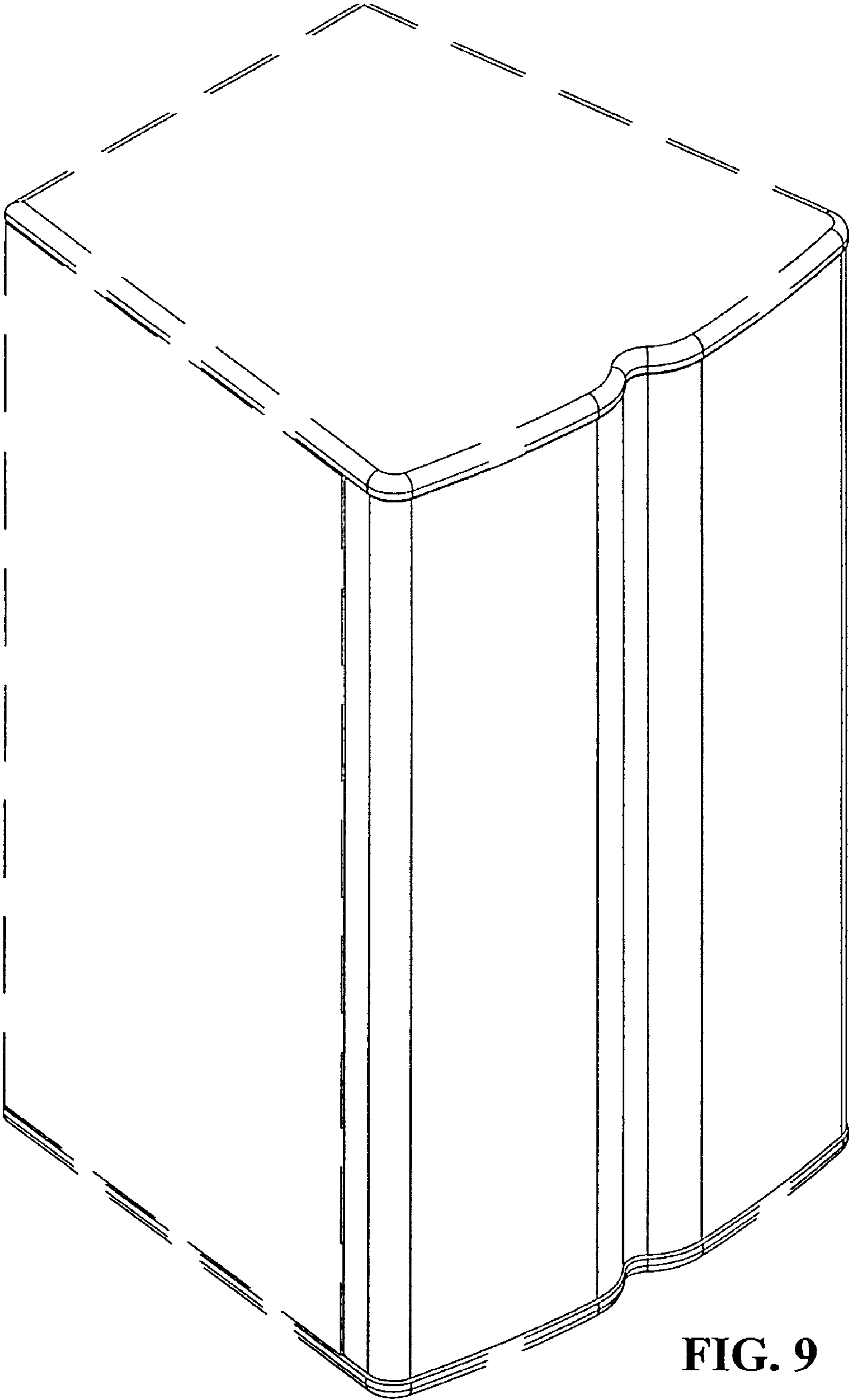
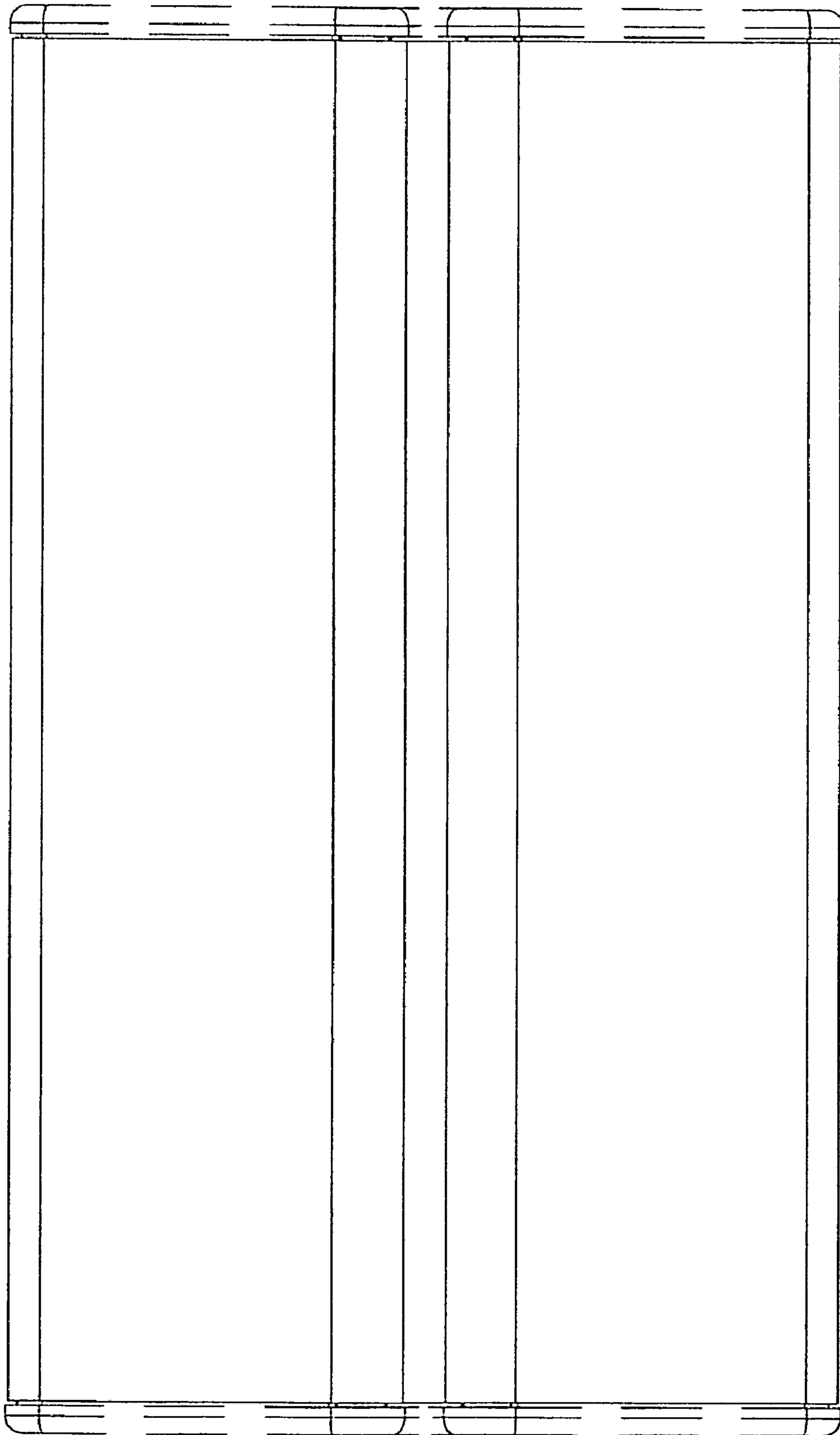


FIG. 9

FIG. 10



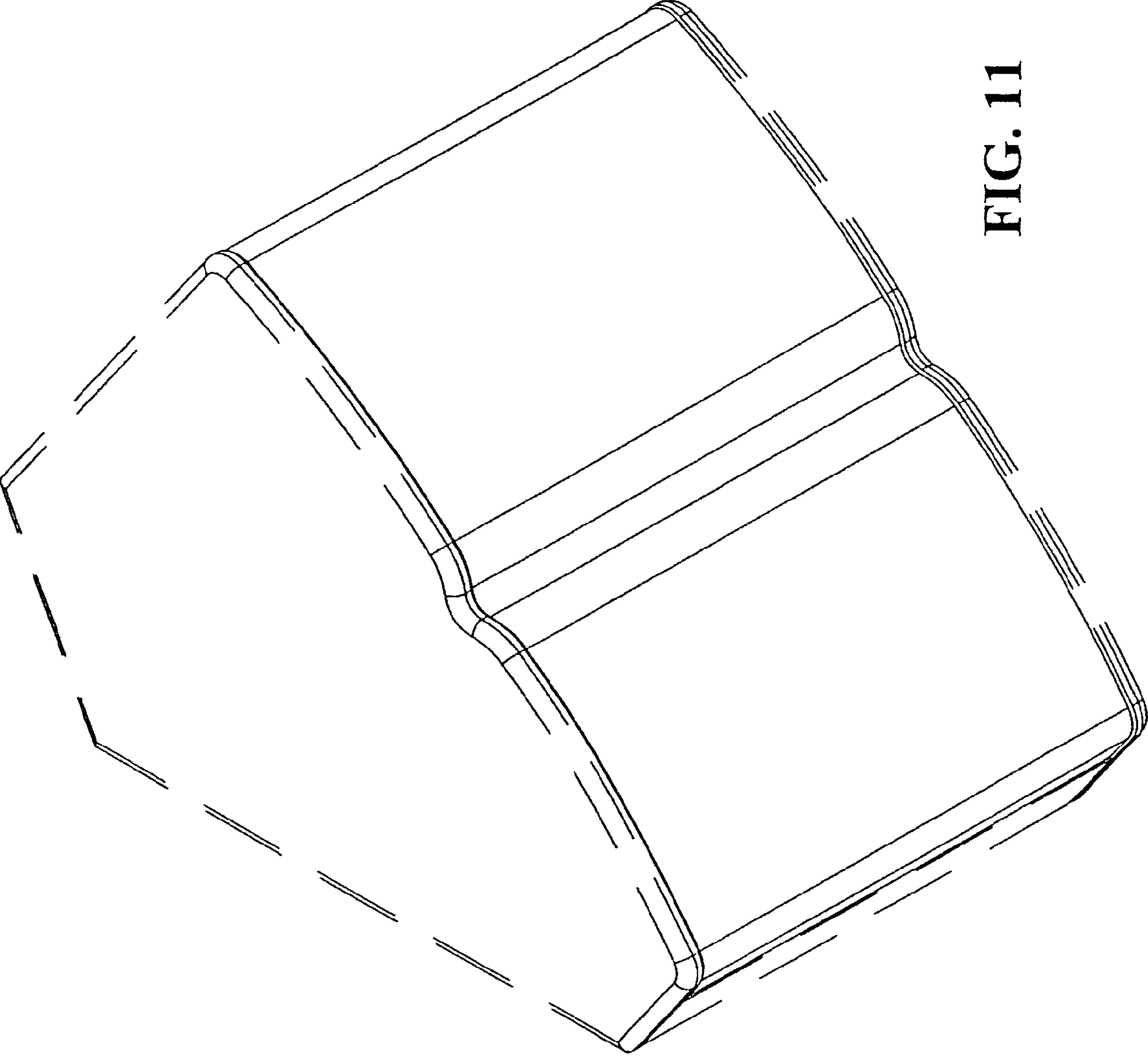


FIG. 11

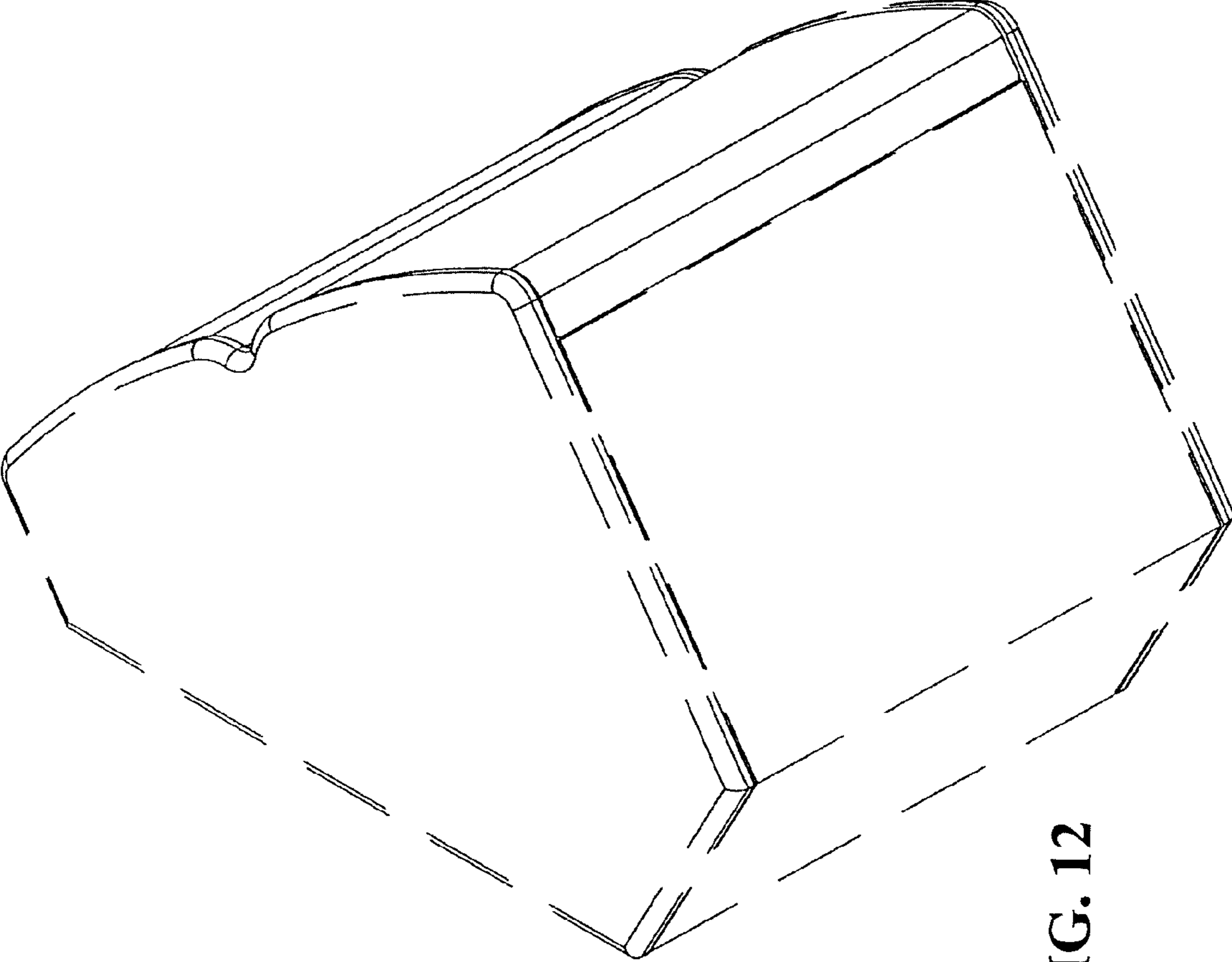


FIG. 12