



US00D605178S

(12) **United States Design Patent**  
**Maier et al.**

(10) **Patent No.:** **US D605,178 S**  
(45) **Date of Patent:** **\*\* Dec. 1, 2009**

(54) **REMOTE CONTROL AND BASE STATION SYSTEM**

(75) Inventors: **Ferdinand Maier**, Obertrum am See (AT); **Erwin Weitgasser**, Salzburg (AT)

(73) Assignee: **fm marketing GmbH**, Obertrum am See (AT)

(\*\*) Term: **14 Years**

(21) Appl. No.: **29/299,901**

(22) Filed: **Jan. 7, 2008**

(30) **Foreign Application Priority Data**

Jul. 6, 2007 (EM) ..... 000753330

(51) **LOC (9) Cl.** ..... **14-03**

(52) **U.S. Cl.** ..... **D14/218**

(58) **Field of Classification Search** ..... D14/218, D14/455; D13/168, 162, 164, 169; D21/566; D10/104, 106, 49; 345/169; 348/14.05, 348/114, 211.99, 734; 455/92, 5, 128, 151.31-151.4, 455/352, 355; 700/65; 341/176  
See application file for complete search history.

(56) **References Cited**

**U.S. PATENT DOCUMENTS**

- D303,638 S \* 9/1989 Andrews et al. .... D10/106
- D303,657 S \* 9/1989 Mayo et al. .... D13/168
- D303,658 S \* 9/1989 Spira et al. .... D13/168
- D306,853 S \* 3/1990 Mayo et al. .... D13/168
- D316,847 S \* 5/1991 Rowen et al. .... D13/168

- D317,593 S \* 6/1991 Rowen ..... D13/168
- D370,663 S \* 6/1996 Swain et al. .... D13/168
- D391,924 S \* 3/1998 Mayo et al. .... D13/168
- D450,662 S \* 11/2001 Kwok ..... D13/168
- D451,498 S \* 12/2001 Rossel ..... D14/218
- D496,003 S \* 9/2004 Spira ..... D13/168
- D501,200 S \* 1/2005 Tsai et al. .... D14/218
- D508,482 S \* 8/2005 Pardo ..... D14/218
- D514,526 S \* 2/2006 Chen et al. .... D13/168
- D525,948 S \* 8/2006 Blair et al. .... D13/168
- D545,303 S \* 6/2007 Chang ..... D14/218
- 2005/0157217 A1 \* 7/2005 Hendricks ..... 348/734
- 2008/0124085 A1 \* 5/2008 Yoshikawa ..... 398/106

\* cited by examiner

*Primary Examiner*—T. Chase Nelson

*Assistant Examiner*—Ania K Dworzecka

(74) *Attorney, Agent, or Firm*—Senniger Powers LLP

(57) **CLAIM**

The ornamental design for a remote control and base station system, as shown and described.

**DESCRIPTION**

FIG. 1 is a perspective view of a remote control and base station according to our new design.

FIG. 2 is a top plan view thereof.

FIG. 3 is a front end view thereof.

FIG. 4 is a rear end view thereof.

FIG. 5 is a right side view thereof; and,

FIG. 6 is a left side view thereof.

**1 Claim, 6 Drawing Sheets**

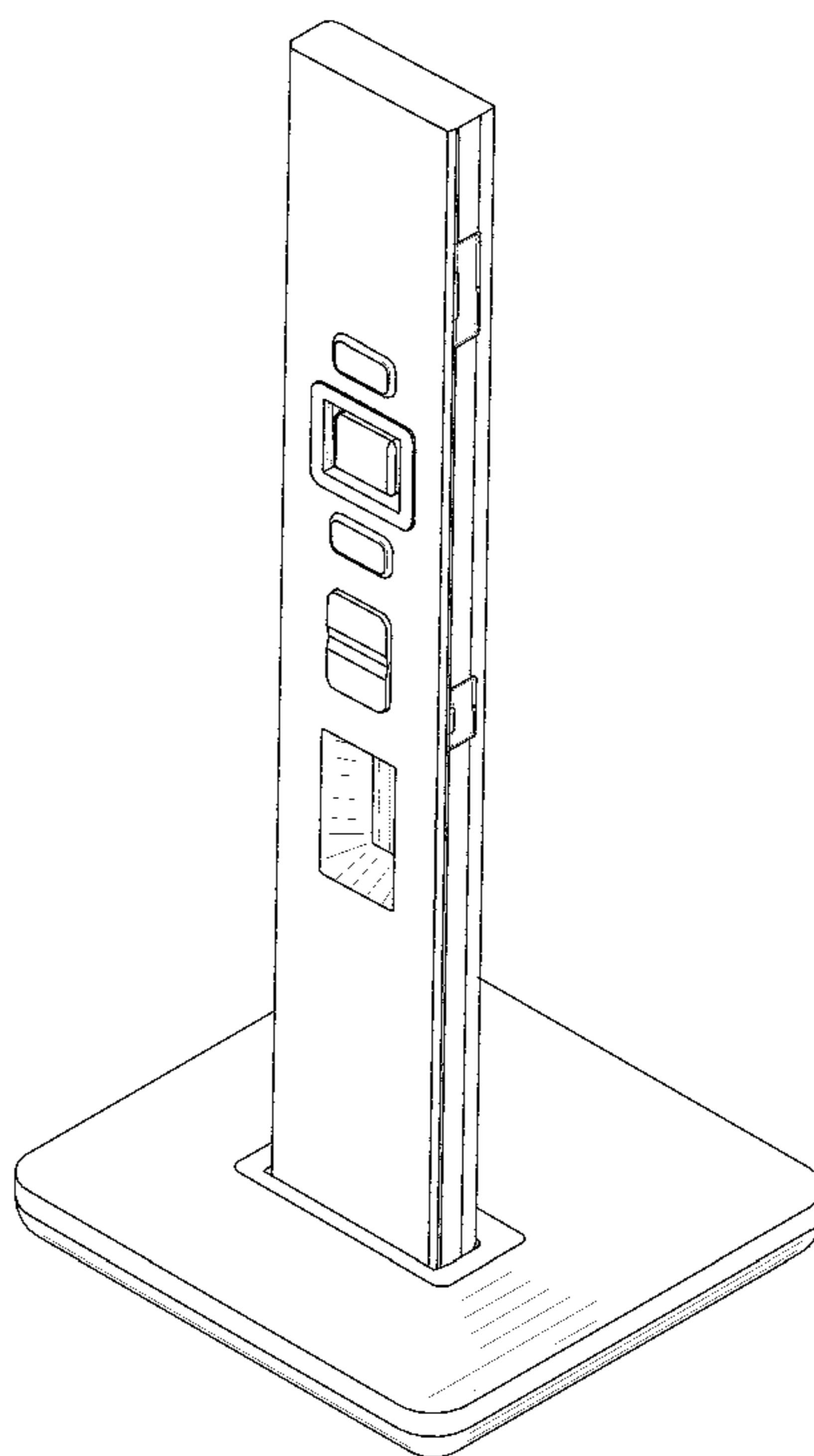


FIG. 1

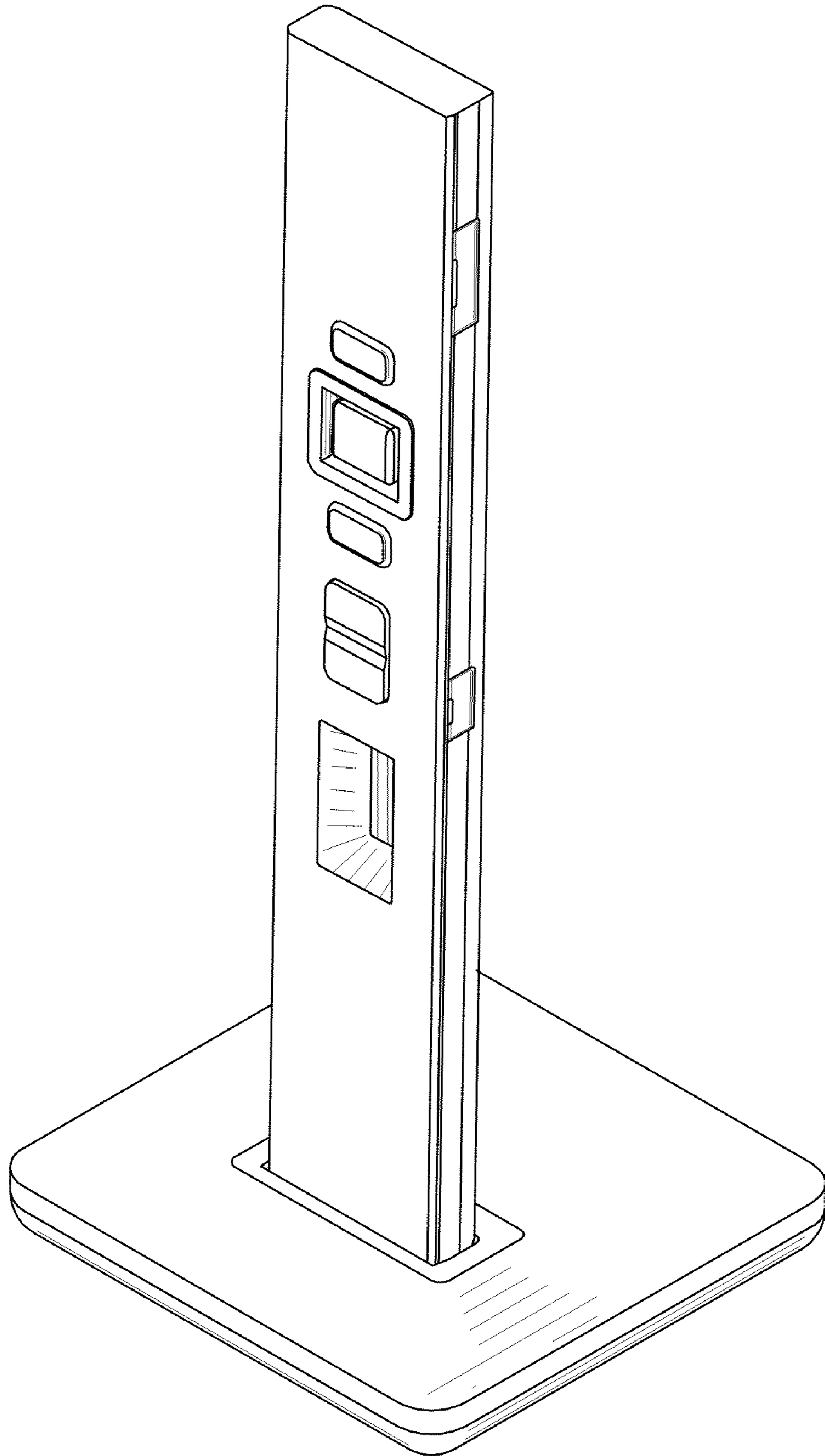


FIG. 2

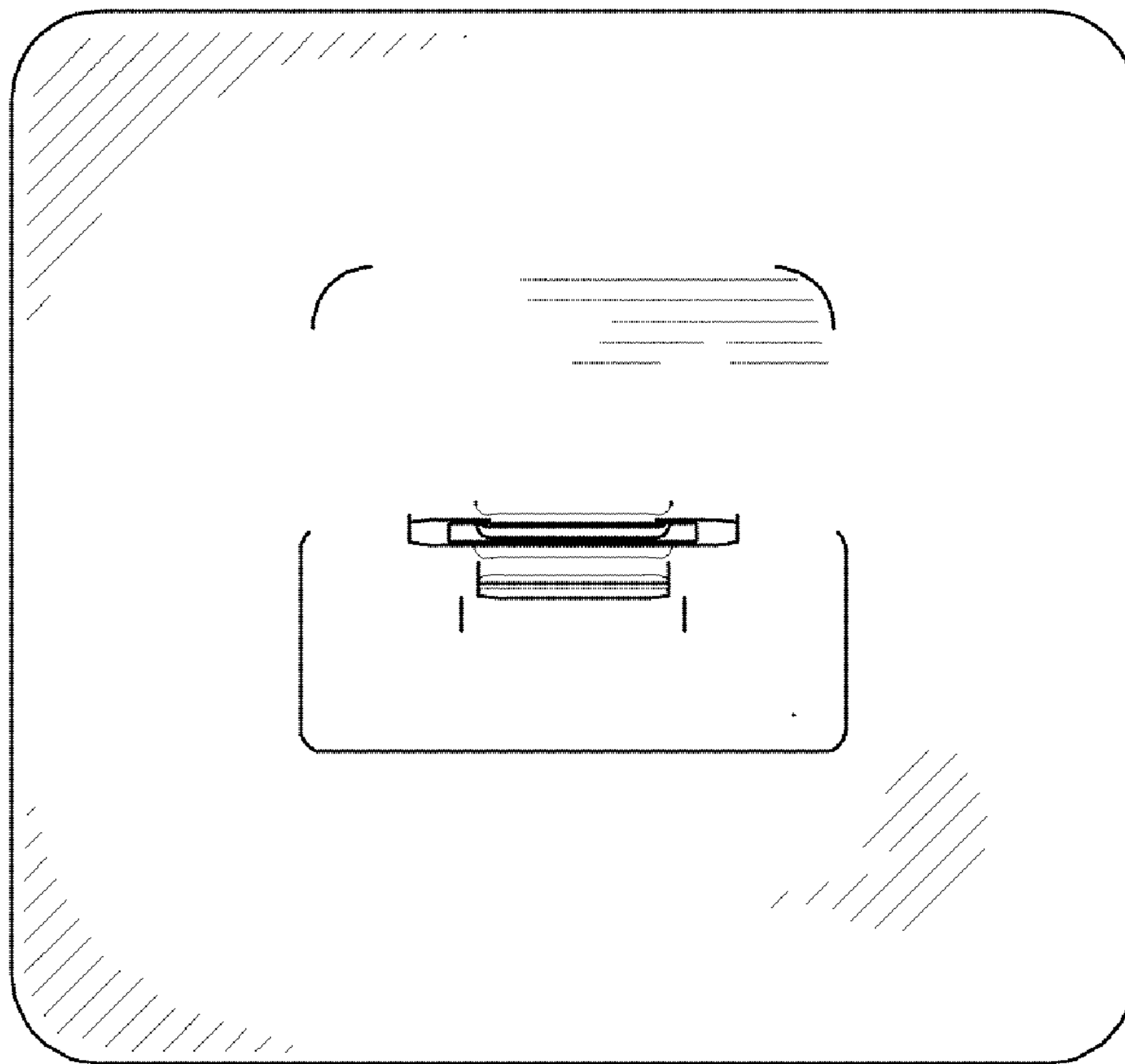


FIG. 3

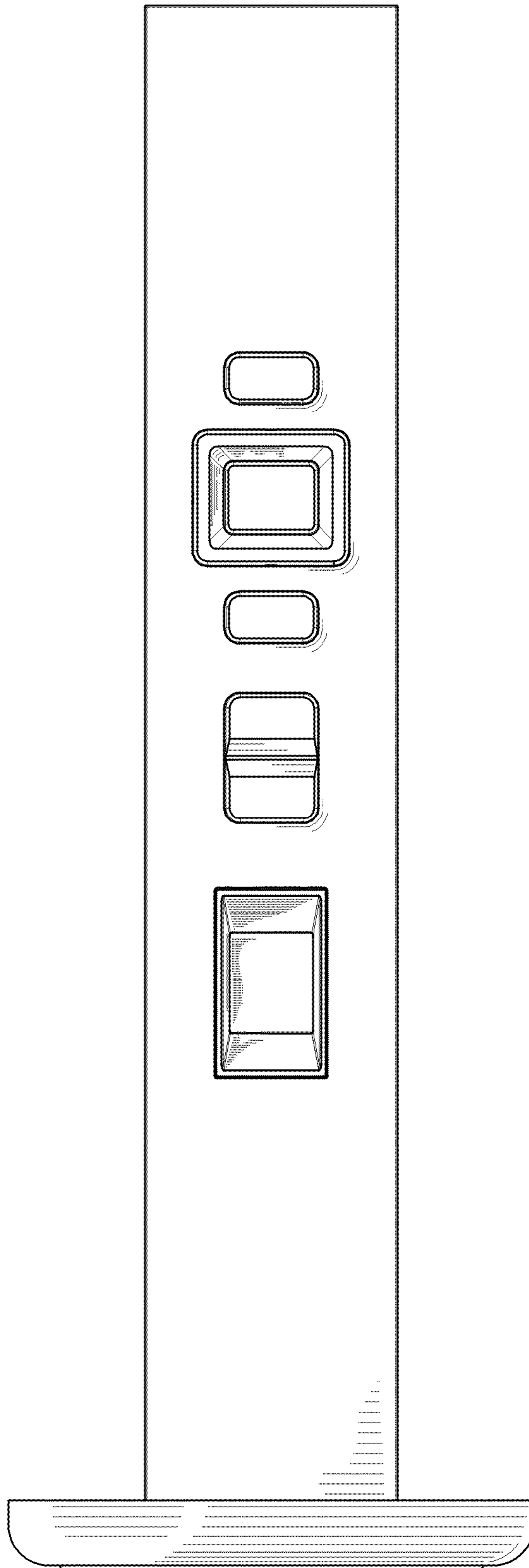


FIG. 4

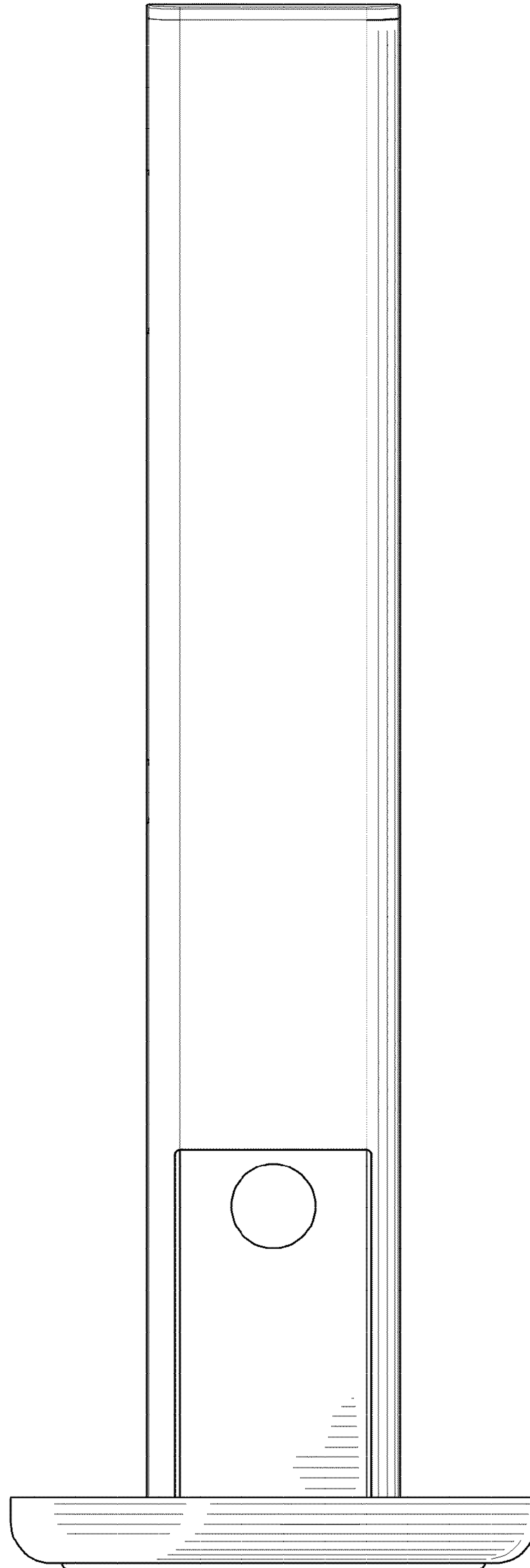


FIG. 5

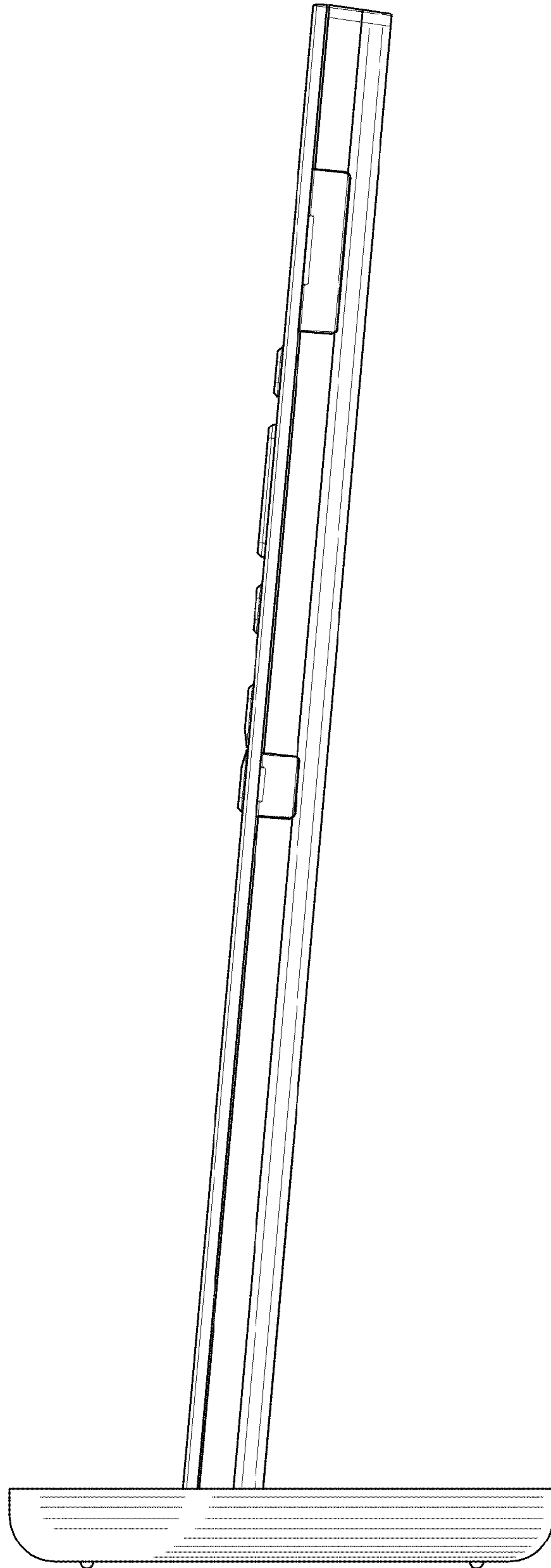


FIG. 6

