

US00D605177S

(12) **United States Design Patent**
Madonna et al.

(10) **Patent No.:** **US D605,177 S**
(45) **Date of Patent:** **** Dec. 1, 2009**

(54) **REMOTE CONTROL FOR MULTIMEDIA CONTROLLER**

(75) Inventors: **Robert P. Madonna**, Osterville, MA (US); **Peter H. Corsini**, East Sandwich, MA (US); **Daniel W. Ashcraft**, Torrance, CA (US); **John von Buelow**, Oak Park, CA (US); **Deanna Griffith**, Topanga, CA (US); **Kit Mok**, Cupertino, CA (US); **Erin Napolitano**, Los Angeles, CA (US); **Wendee Lee**, Oak Park, CA (US)

(73) Assignee: **Savant Systems LLC**, Osterville, MA (US)

(**) Term: **14 Years**

(21) Appl. No.: **29/248,611**

(22) Filed: **Aug. 23, 2006**

(51) **LOC (9) Cl.** **14-03**

(52) **U.S. Cl.** **D14/218**

(58) **Field of Classification Search** D14/218, D14/455; D13/168; D21/566; D10/104, D10/106; 345/169; 348/14.05, 114, 211.99, 348/734; 455/92, 5, 128, 151.31-151.4, 455/352, 355; 700/65

See application file for complete search history.

(56) **References Cited**

U.S. PATENT DOCUMENTS

D368,718 S * 4/1996 Starck D14/218
2008/0079604 A1 * 4/2008 Madonna et al. 340/825.72

* cited by examiner

Primary Examiner—T. Chase Nelson
Assistant Examiner—Ania K Dworzecka
(74) *Attorney, Agent, or Firm*—Cesari and McKenna, LLP

(57) **CLAIM**

The ornamental design for a remote control for multimedia controller, as shown and described.

DESCRIPTION

FIG. 1 is a top plan view of a remote control for multimedia controller showing our new design;

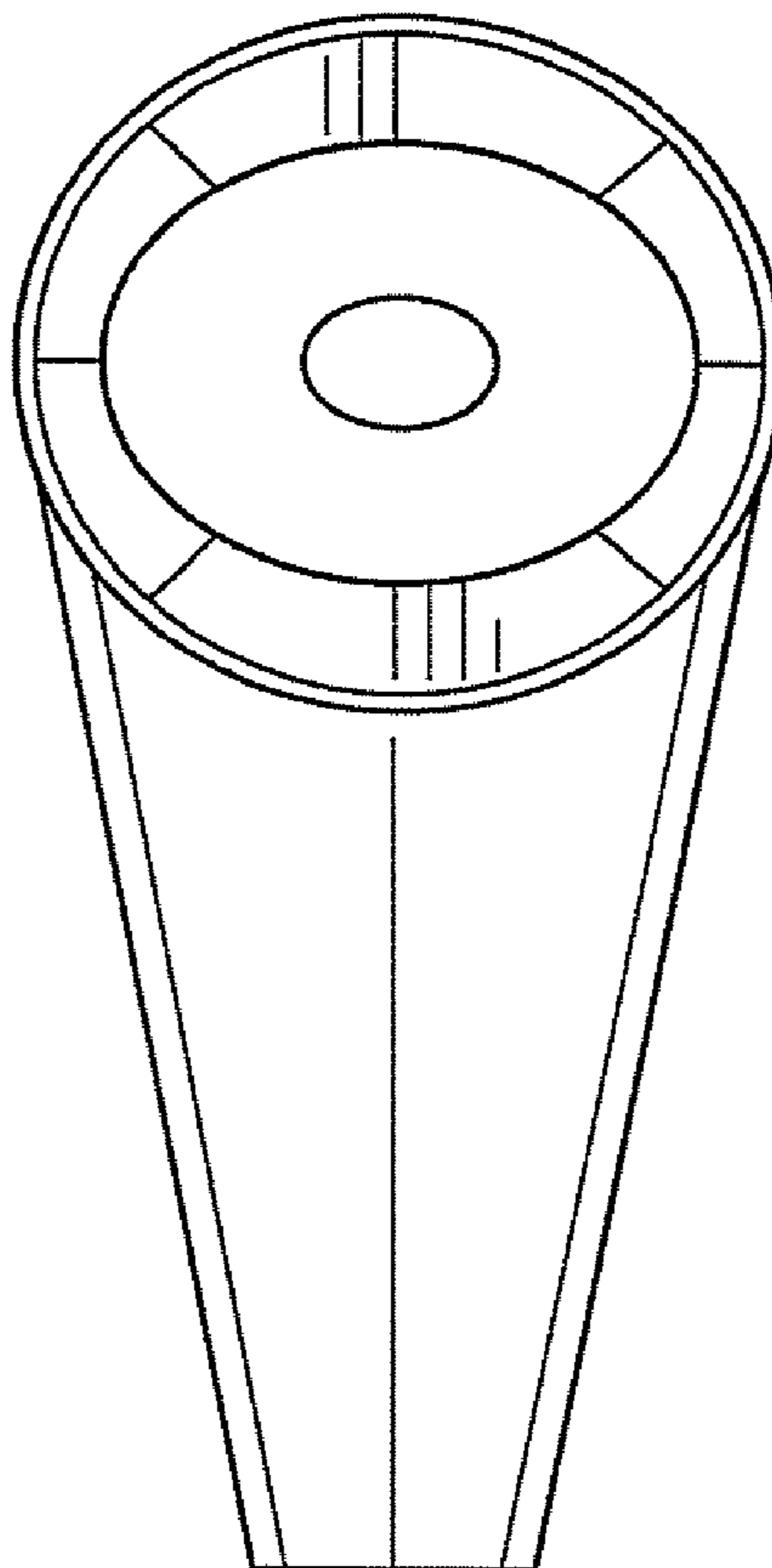
FIG. 2 is a left side elevational view thereof, the right side being a mirror image of the left side;

FIG. 3 is a front elevational view thereof;

FIG. 4 is a rear elevational view thereof; and,

FIG. 5 is a bottom plan view thereof.

1 Claim, 1 Drawing Sheet



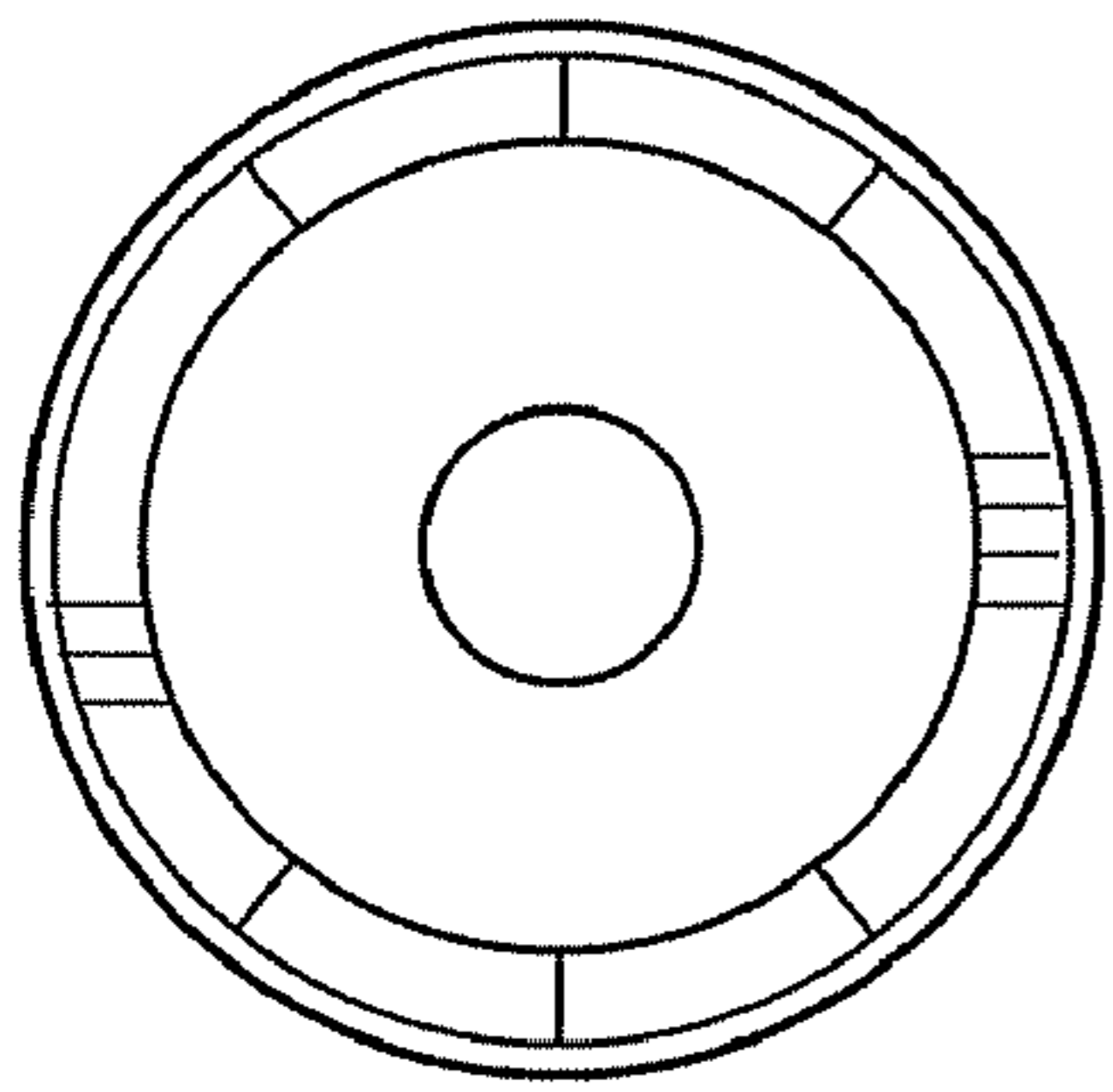


FIG. 1

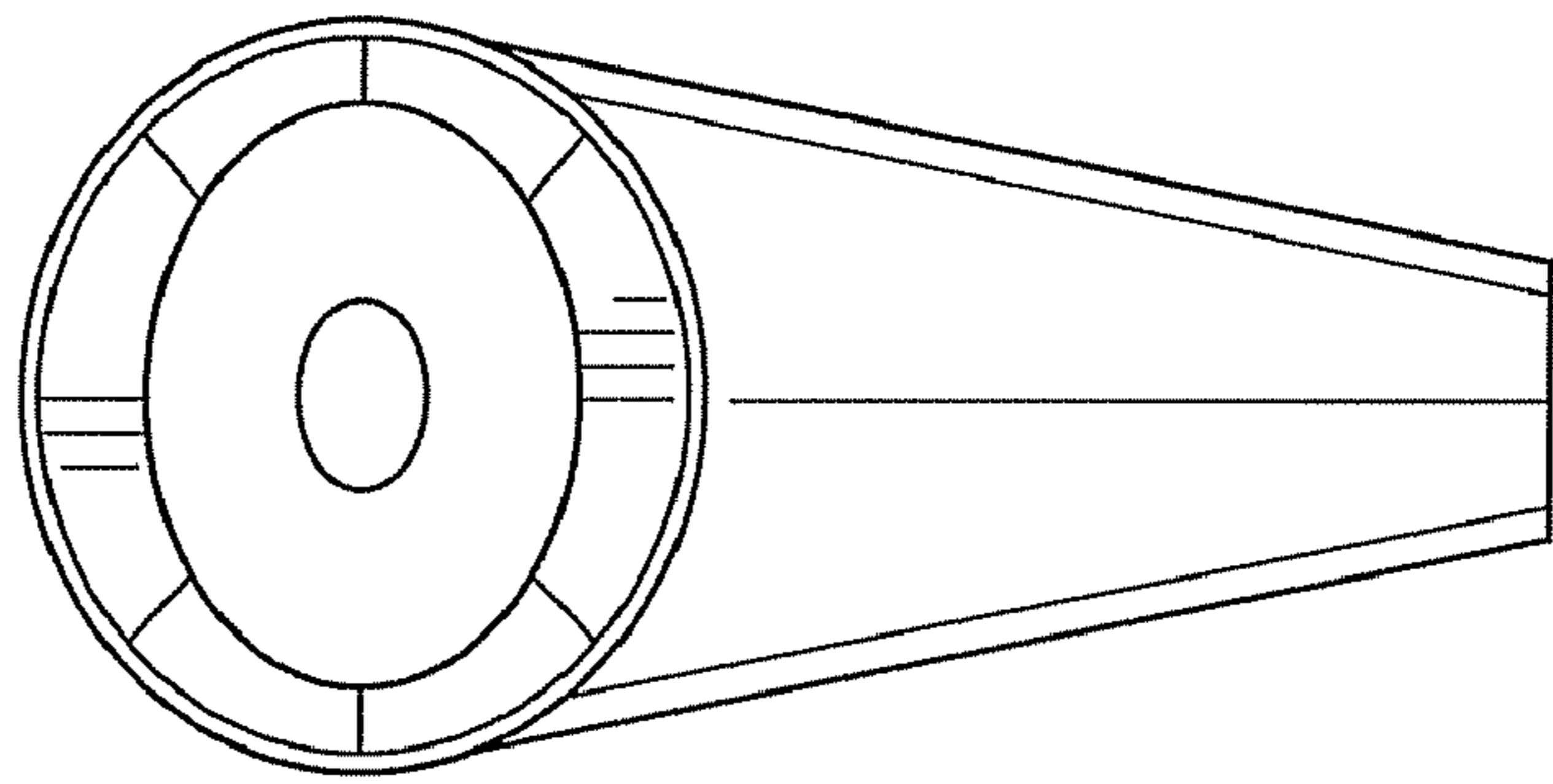


FIG. 3

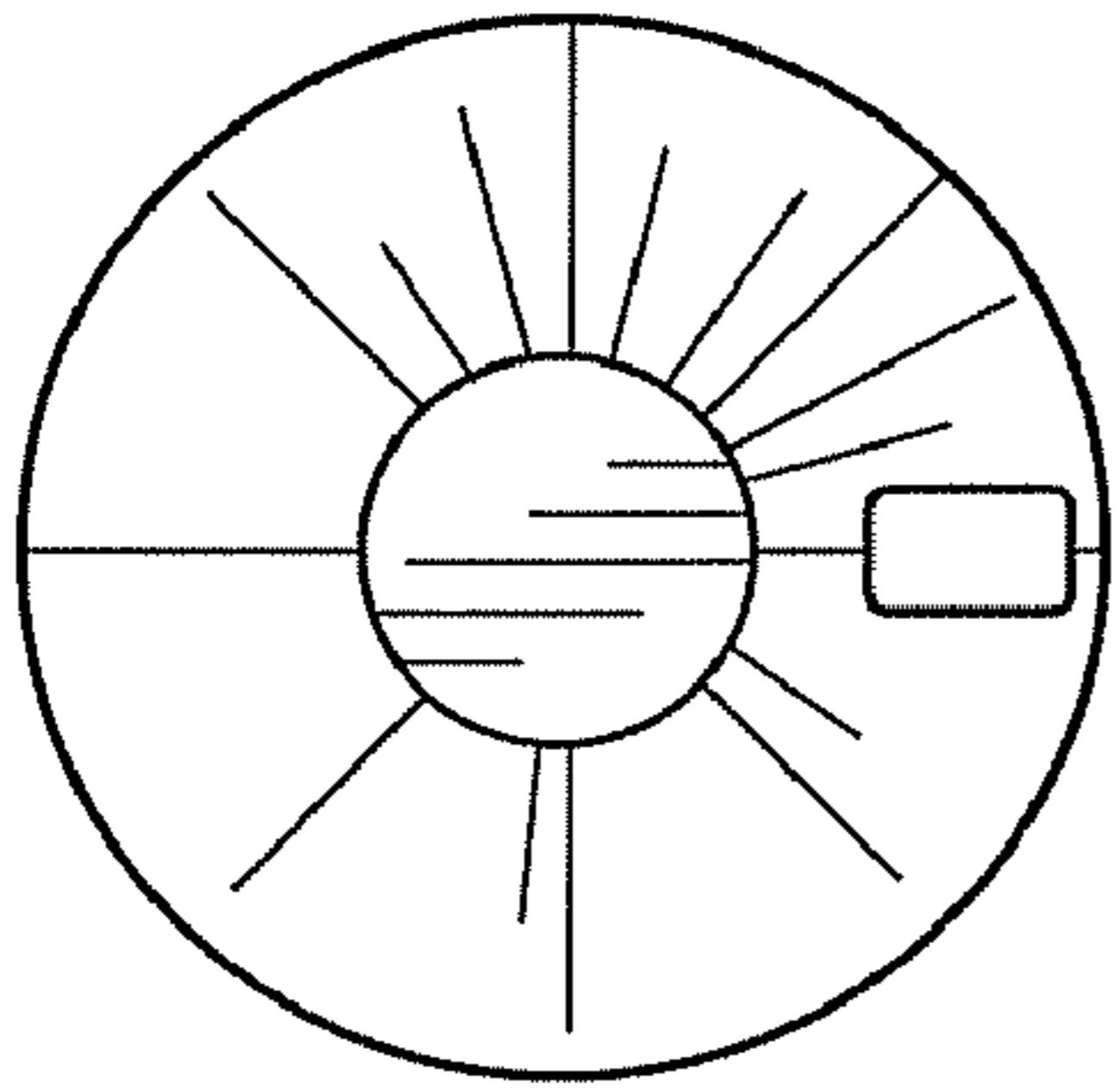


FIG. 5

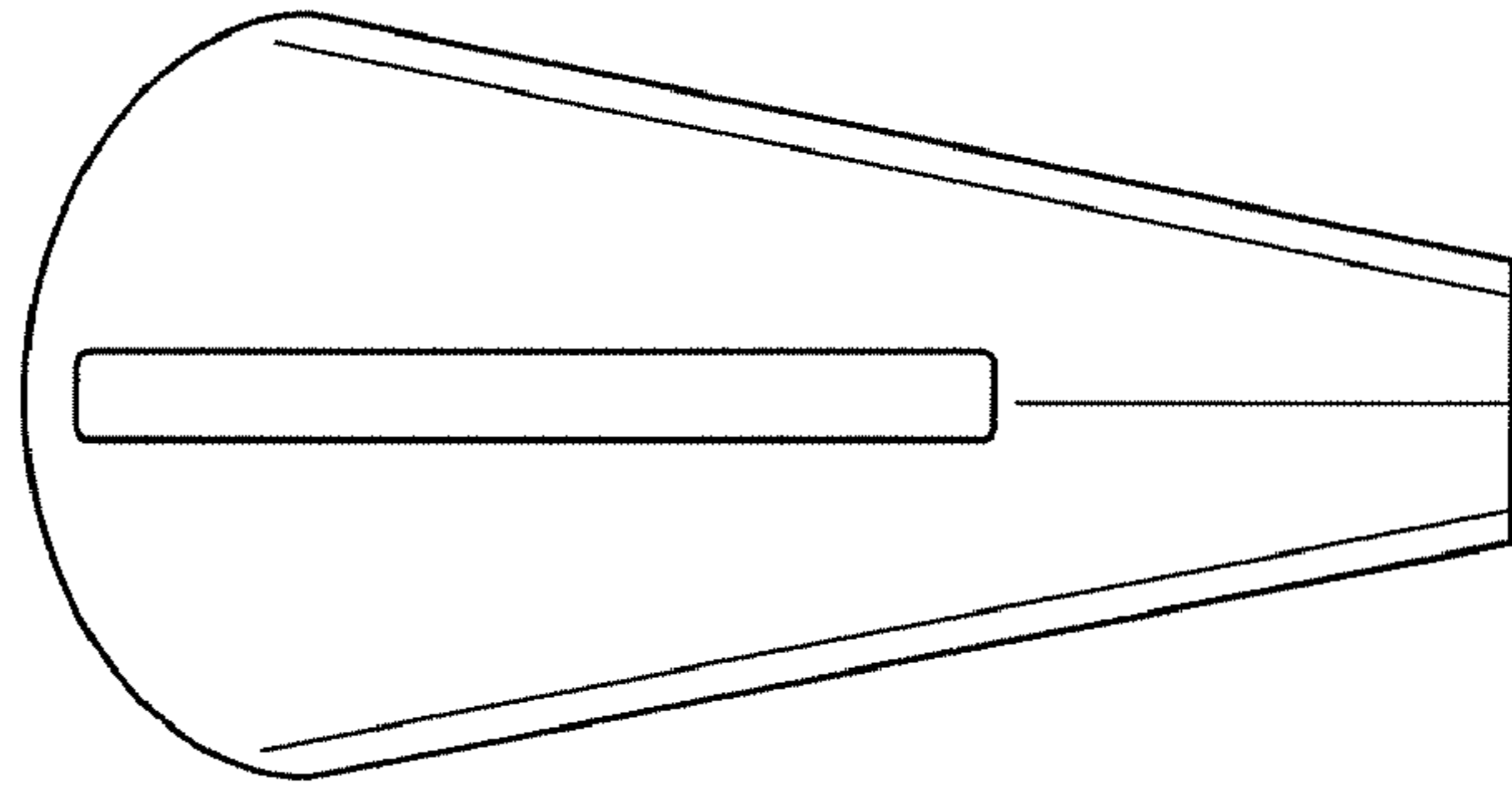


FIG. 4

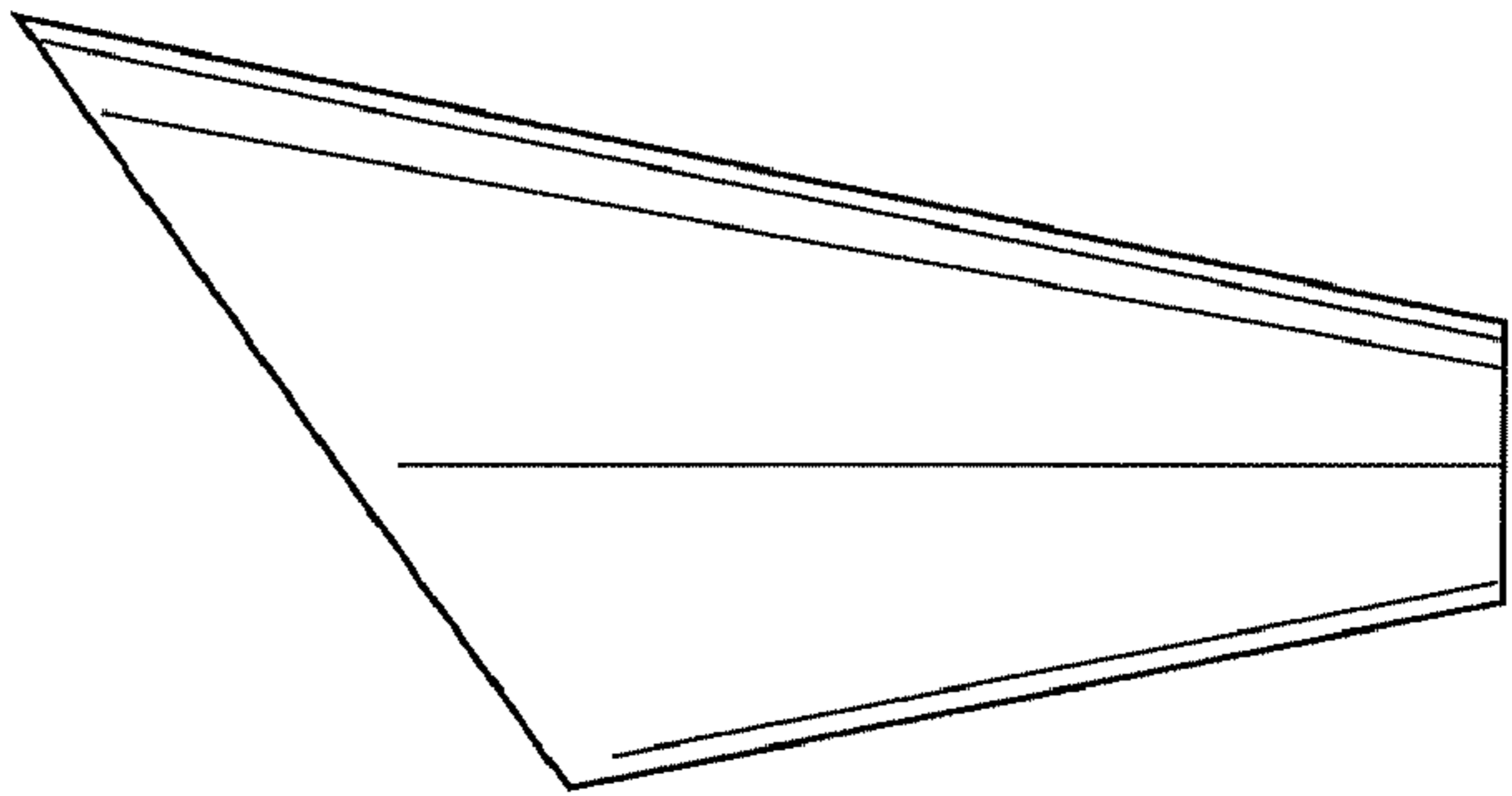


FIG. 2