



US00D605173S

(12) **United States Design Patent**  
**Senescat et al.**

(10) **Patent No.:** **US D605,173 S**

(45) **Date of Patent:** **\*\* Dec. 1, 2009**

(54) **SPEAKER FOR AUTOMOBILE**

6,308,960 B1 \* 10/2001 Peale ..... 181/199

D484,494 S \* 12/2003 Feil et al. .... D14/221

D493,445 S \* 7/2004 Iijima et al. .... D14/216

(75) Inventors: **Steeve Senescat**, Tokyo (JP); **Shuji Natori**, Tokyo (JP); **Hironori Oishi**, Tokyo (JP)

\* cited by examiner

(73) Assignee: **Pioneer Corporation**, Tokyo (JP)

*Primary Examiner*—Nanda Bondade

(\*\*) Term: **14 Years**

(74) *Attorney, Agent, or Firm*—Jean C. Edwards, Esq.; Akerman Senterfitt

(21) Appl. No.: **29/309,882**

(57) **CLAIM**

(22) Filed: **Oct. 30, 2008**

The ornamental design for a speaker for automobile, as shown and described.

(30) **Foreign Application Priority Data**

Jun. 3, 2008 (JP) ..... 2008-013975

**DESCRIPTION**

(51) **LOC (9) Cl.** ..... **14-01**

(52) **U.S. Cl.** ..... **D14/216**

(58) **Field of Classification Search** ..... D14/204,  
D14/210–216, 221, 222, 172; 181/143–144,  
181/147–148, 150–153, 157, 198–199; 381/300–303,  
381/306, 332–333, 336, 345, 361–364, 386–388;  
D12/114

FIG. 1 is a perspective view of the front and bottom of a speaker for automobile showing our new design;

FIG. 2 is a front view thereof;

FIG. 3 is a rear view thereof;

FIG. 4 is a left side view thereof;

FIG. 5 is a right side view thereof;

FIG. 6 is a top plan view thereof; and,

FIG. 7 is a bottom view thereof.

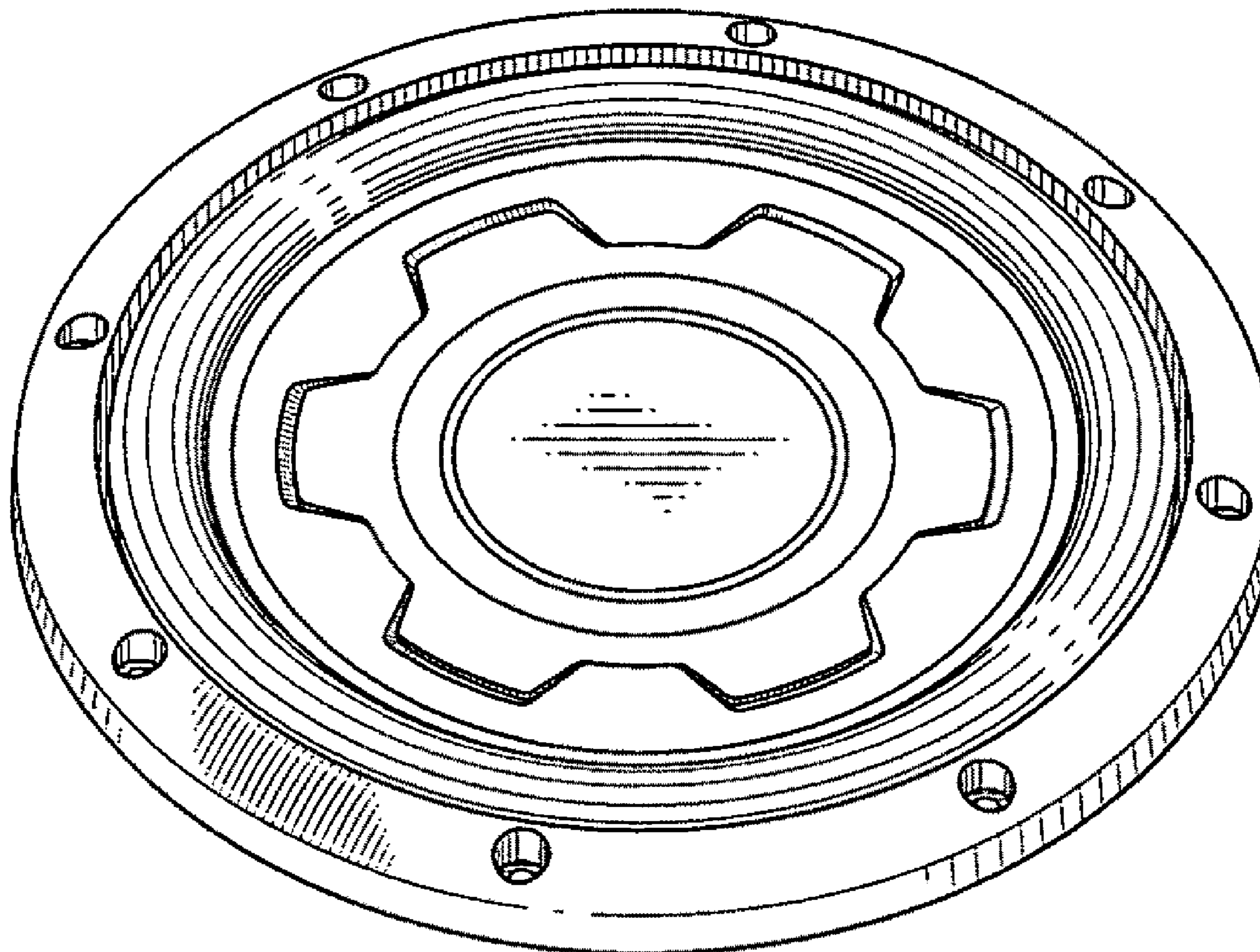
See application file for complete search history.

(56) **References Cited**

**U.S. PATENT DOCUMENTS**

D244,698 S \* 6/1977 Babb ..... D14/222

**1 Claim, 3 Drawing Sheets**



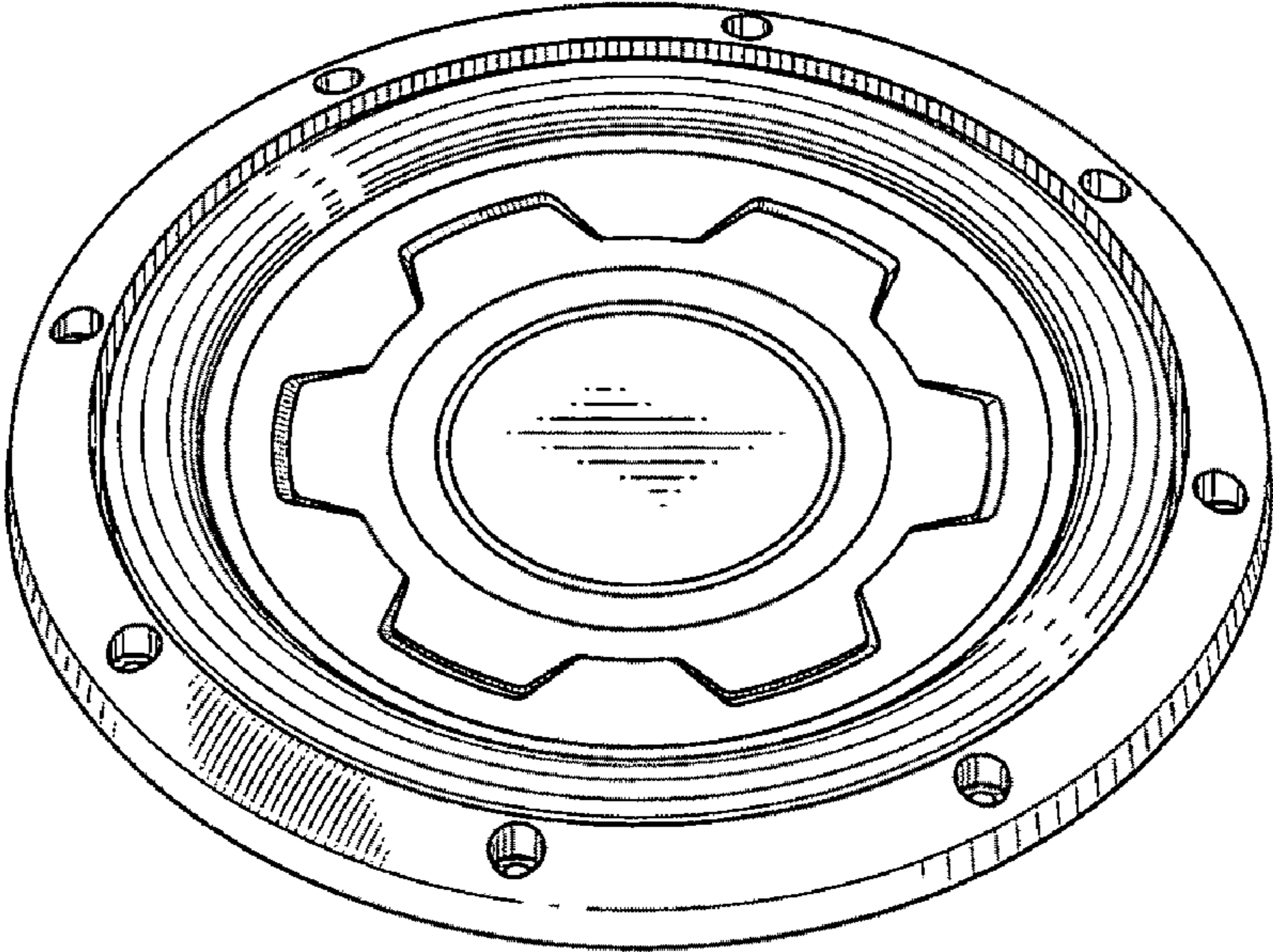


FIG. 1

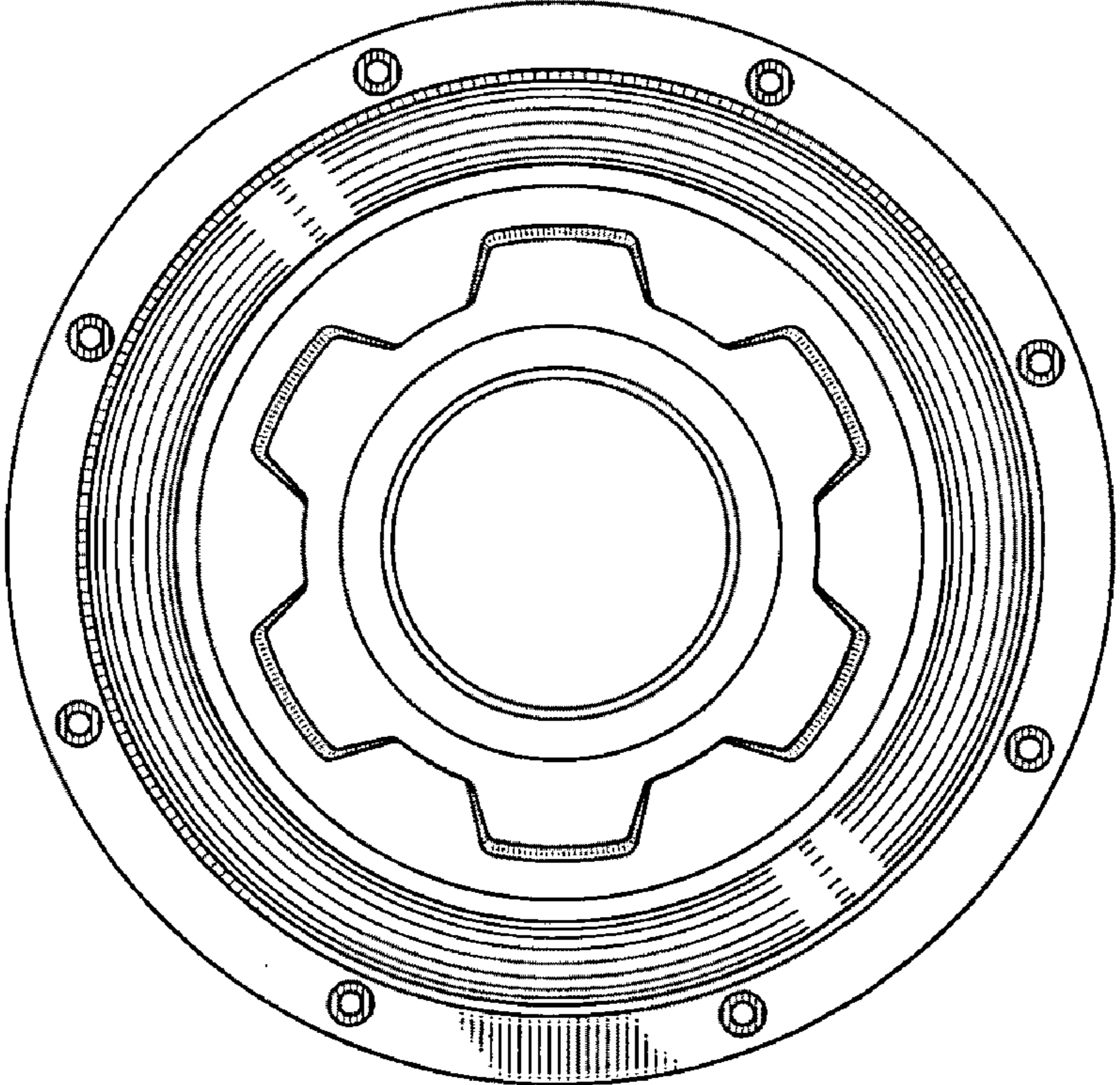


FIG. 2



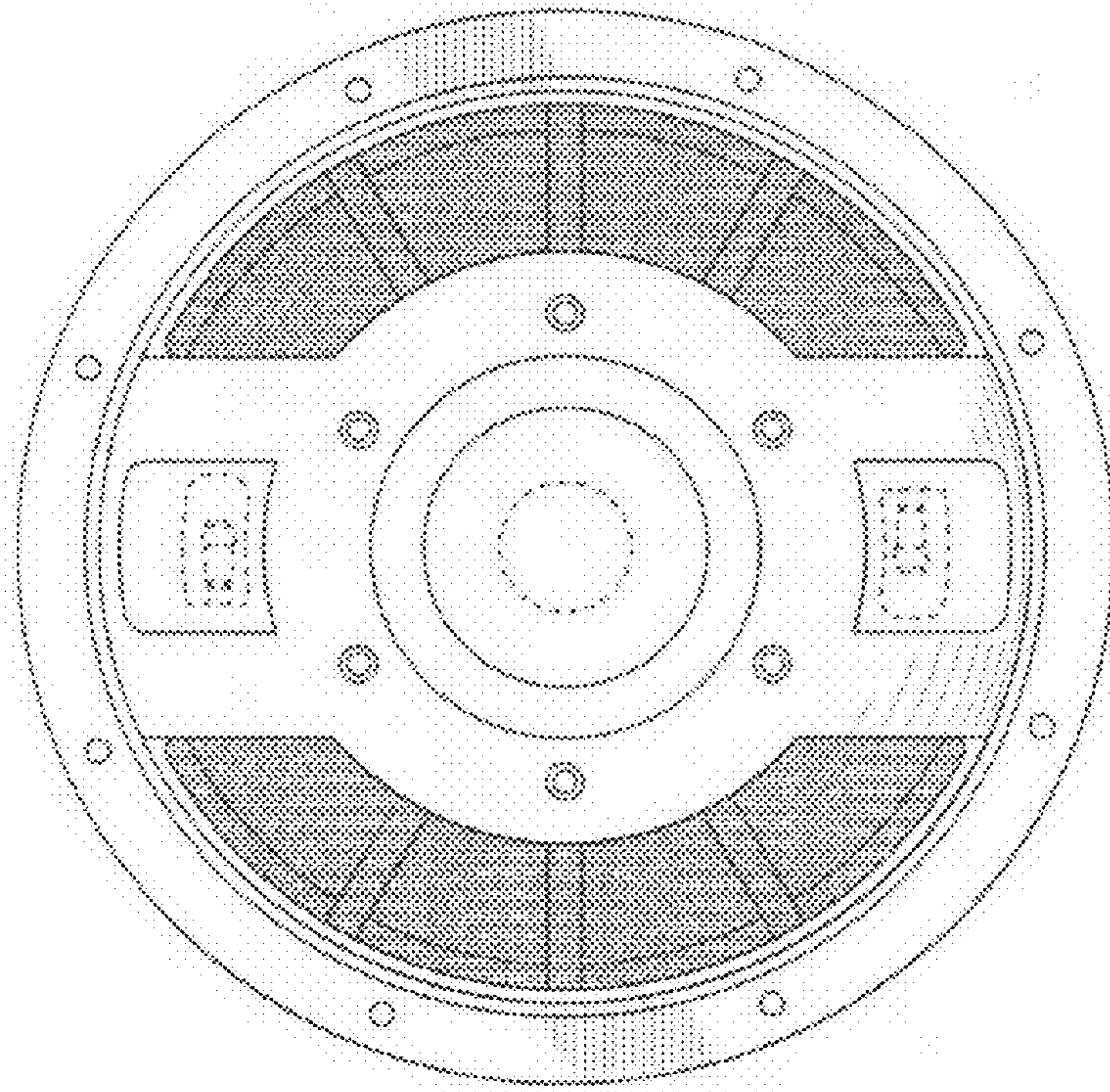


FIG. 3

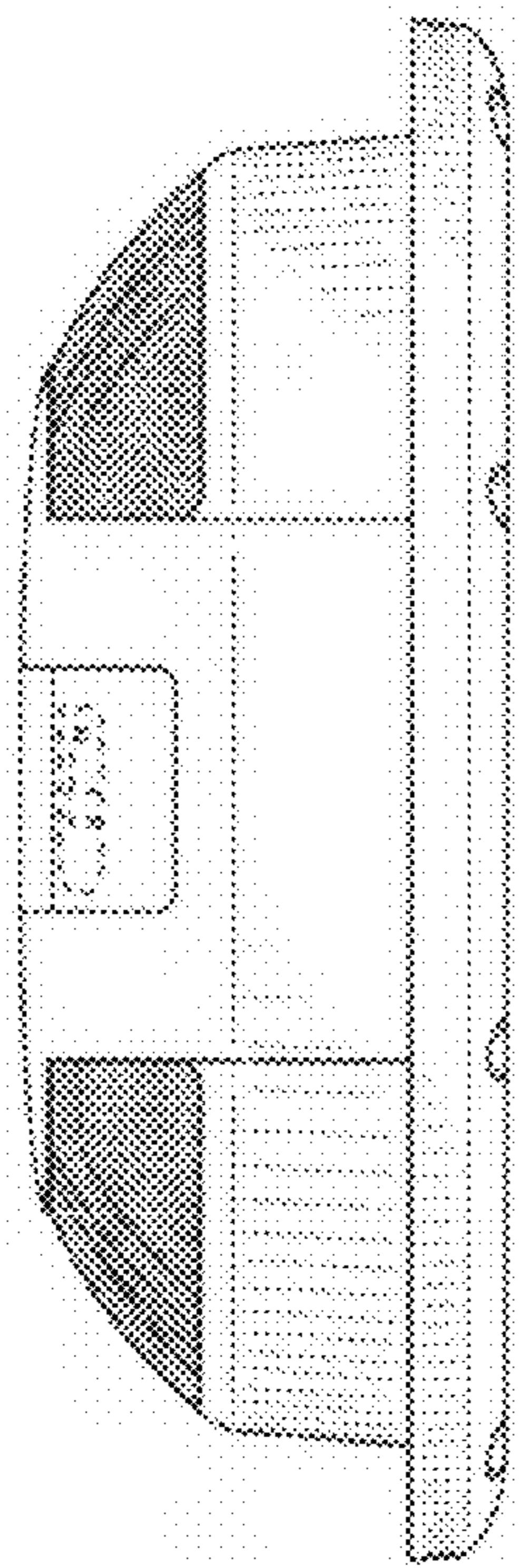


FIG. 4

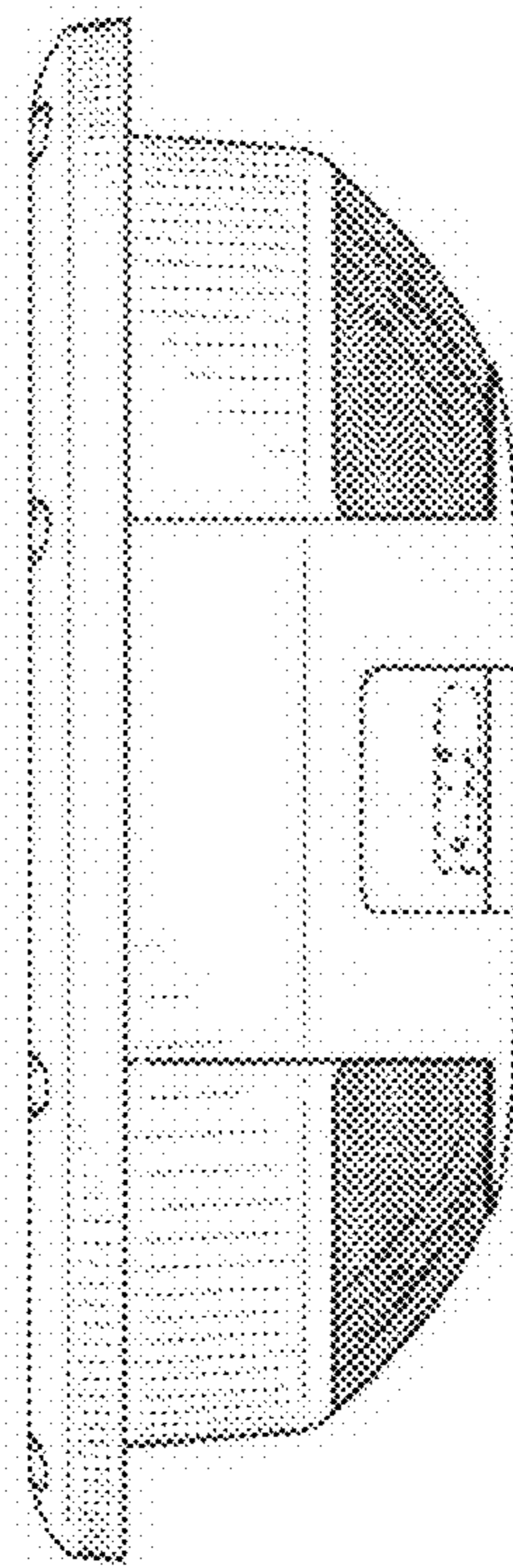


FIG. 5



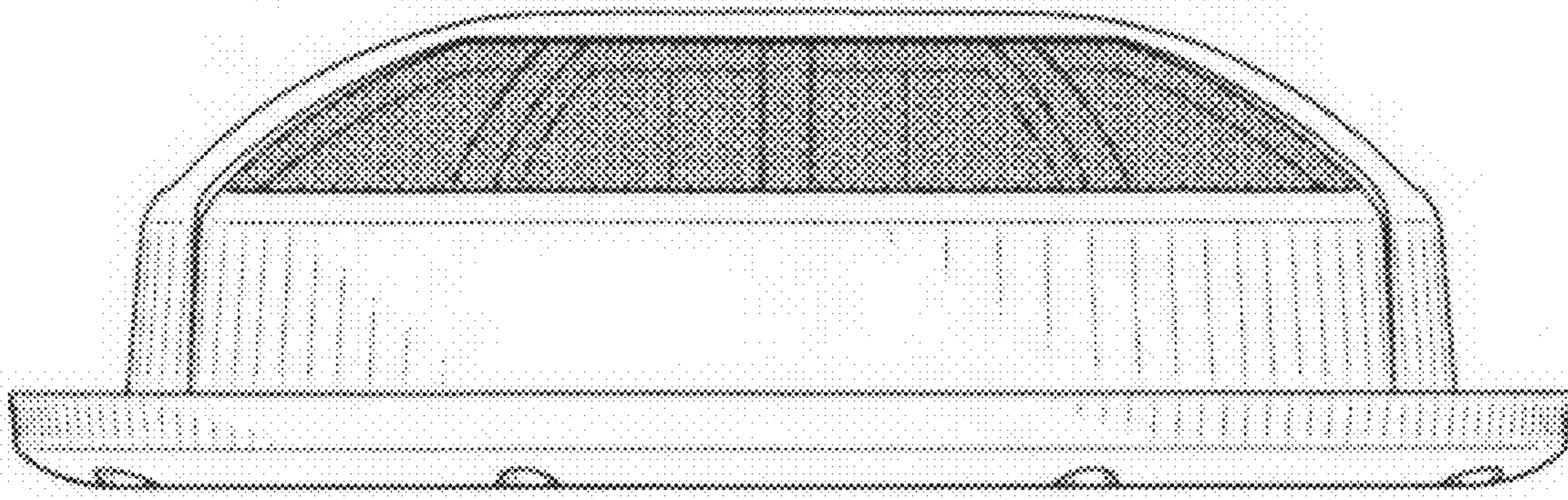


FIG. 6

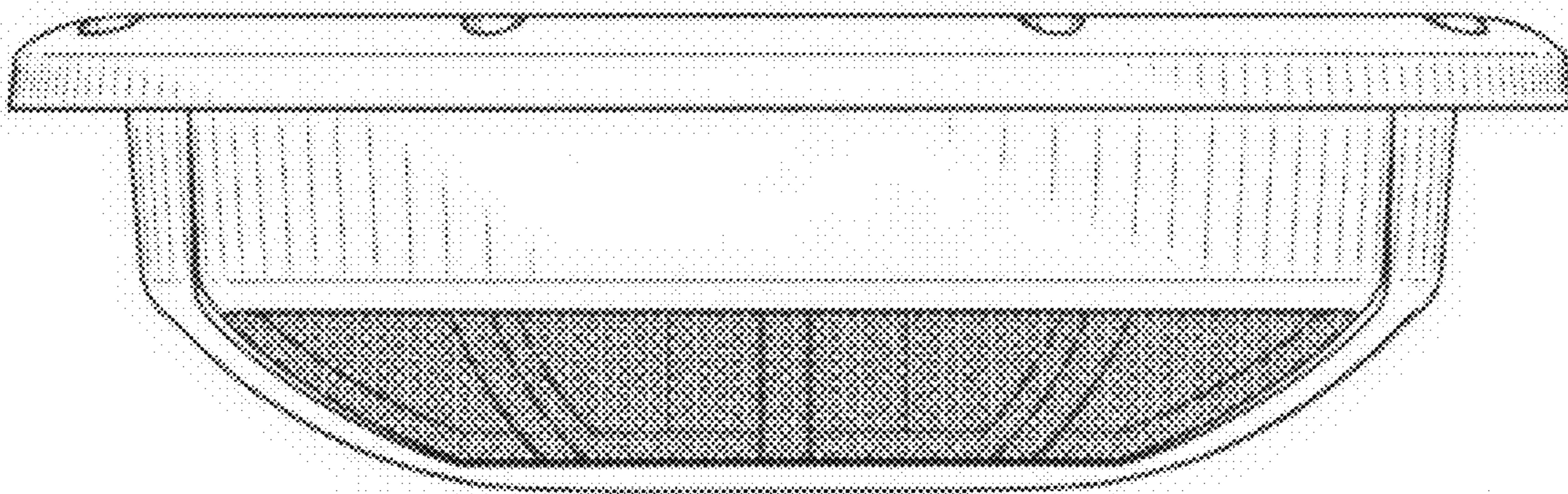


FIG. 7